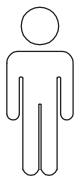
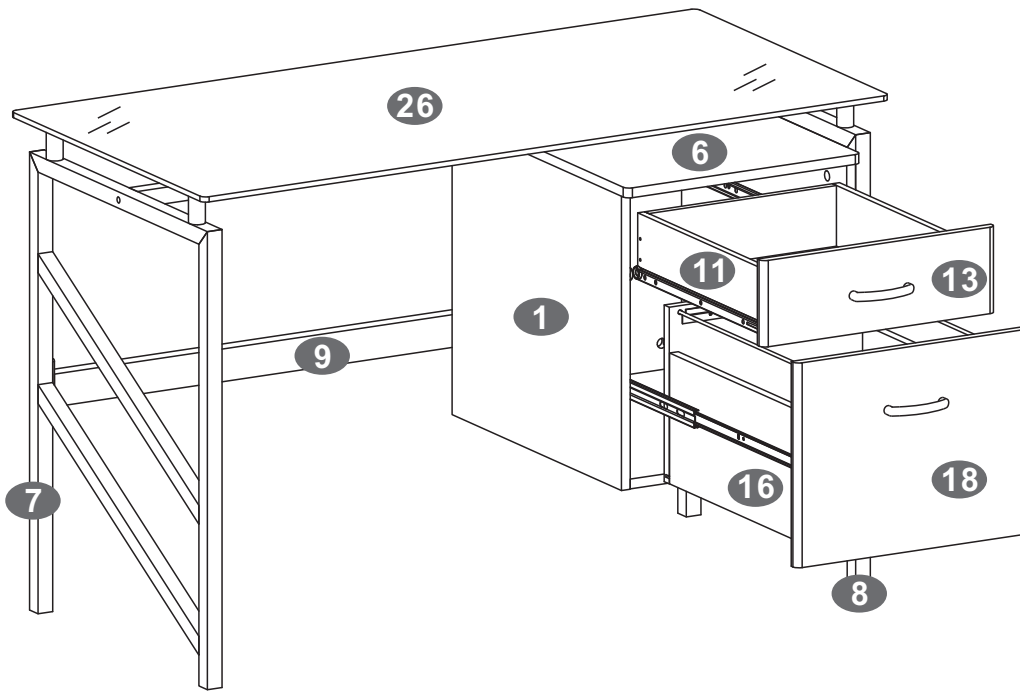
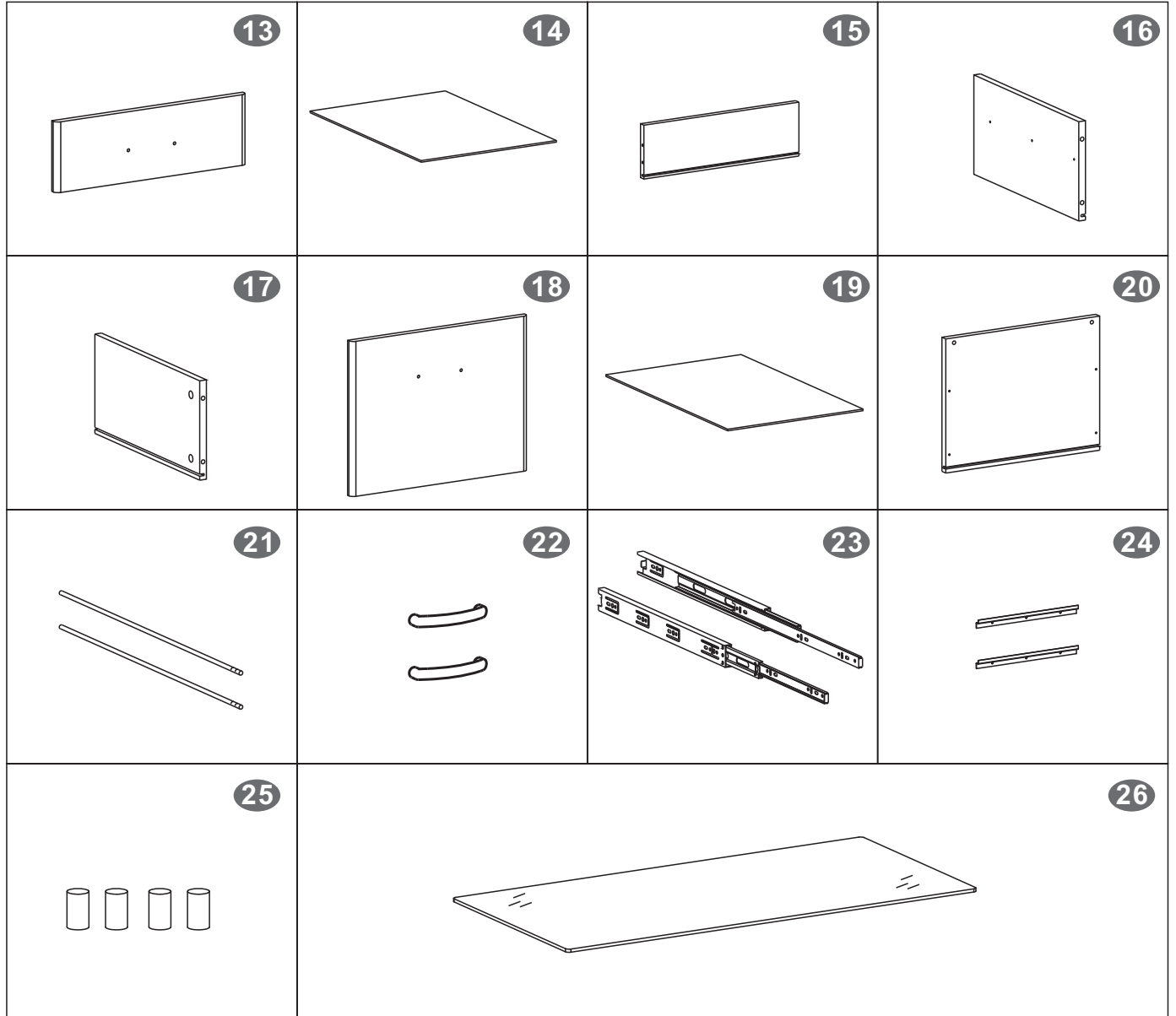


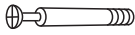
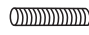









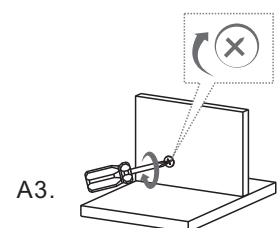
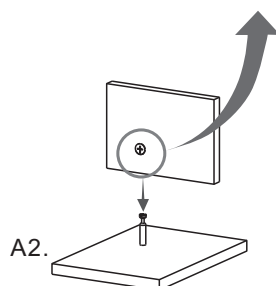
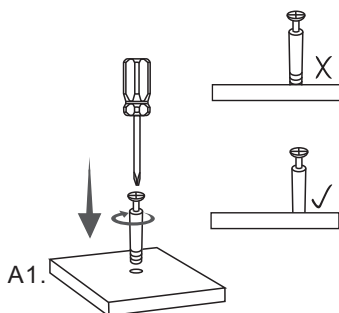
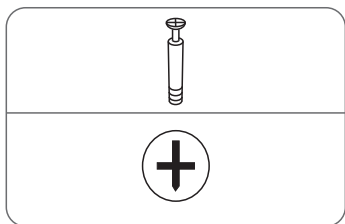
	<p>120'</p>
		
		<p>1</p>



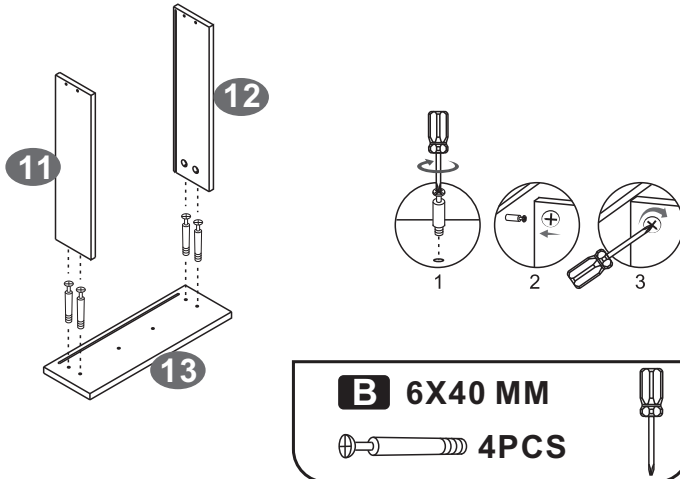
<p>1</p>	<p>2</p>	<p>3</p> <p>Left Right</p> <p>Left Right</p>	<p>4</p>
<p>5</p>	<p>6</p>	<p>7</p>	<p>8</p>
<p>9</p>	<p>10</p>	<p>11</p>	<p>12</p>



A	26	3X15 MM		G	4	6X45 MM	
B	20	6X40 MM		H	4	6X20 MM	
C	8	4X35 MM		I	4	Φ 16 MM	
D	4	4X20 MM		J	2		
E	4	6X12 MM		K	2	6X30 MM	
F	5	6X35 MM			1		



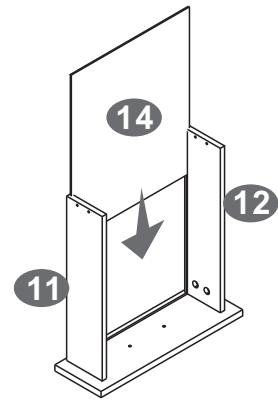
1



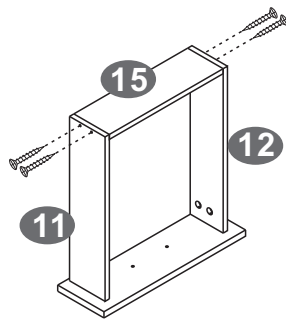
B 6X40 MM
4PCS



2



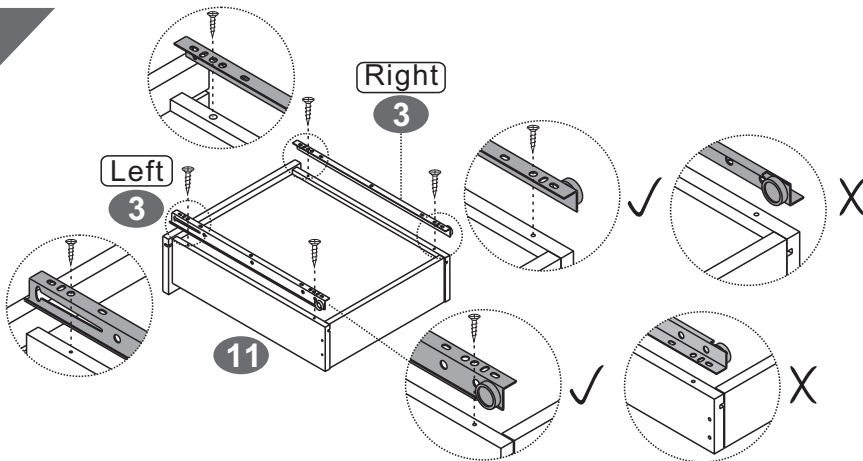
3



C 4X35 MM
4PCS



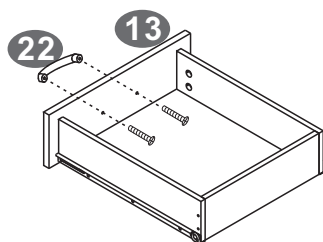
4



A 3X15 MM
4PCS



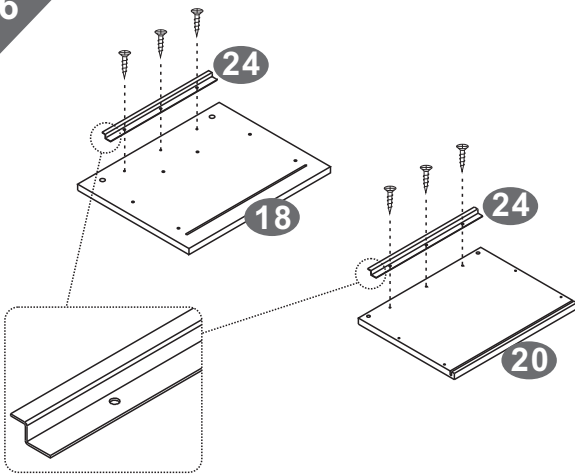
5



D 4X20 MM
2PCS



6

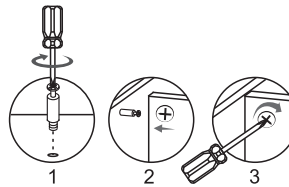
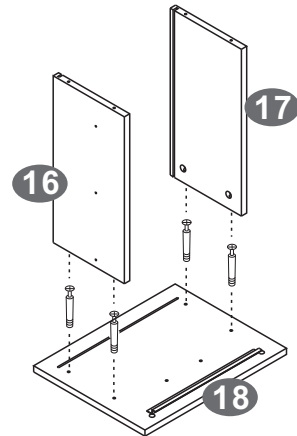


A 3X15 MM

6PCS



7

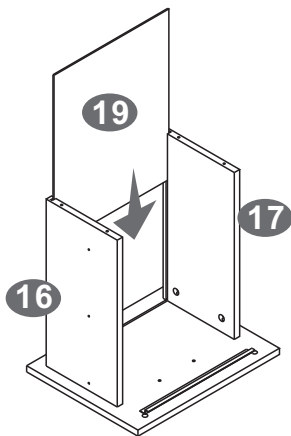


B 6X40 MM

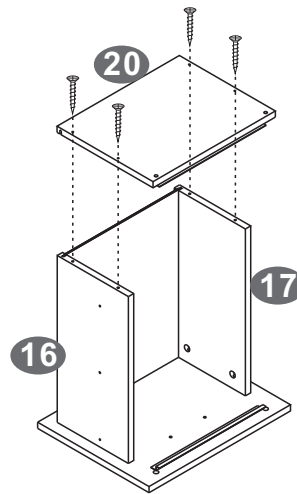
4PCS



8



9

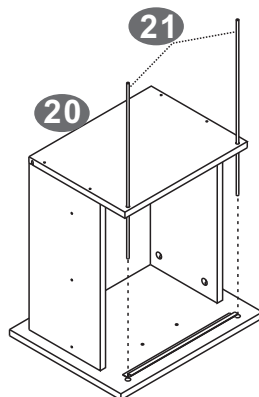


C 4X35 MM

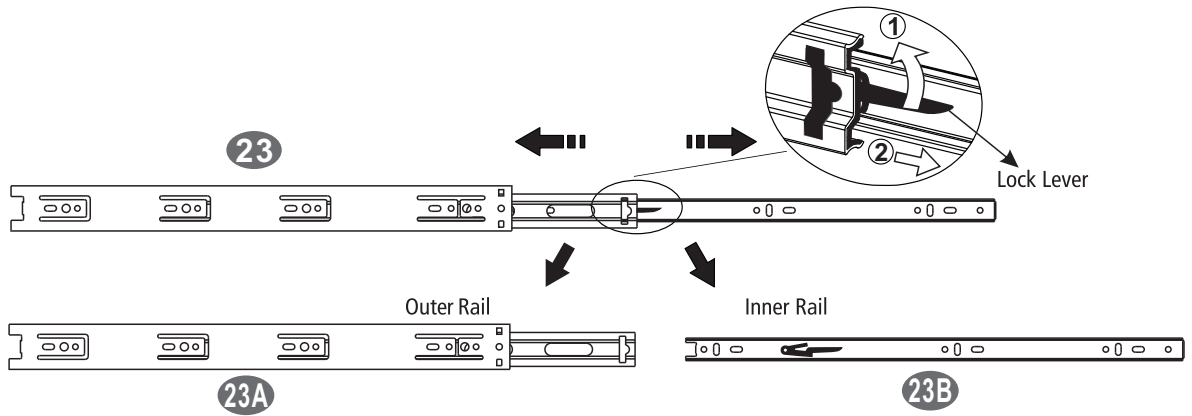
4PCS



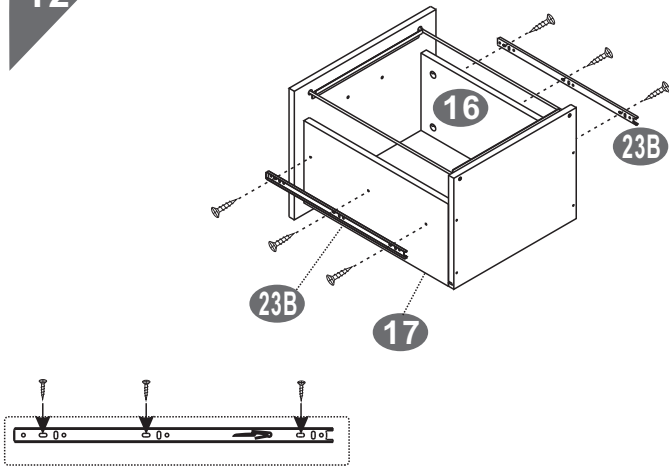
10





11



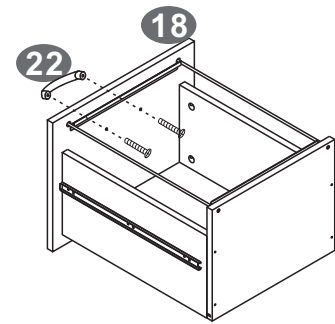
12





A 3X15 MM
6PCS

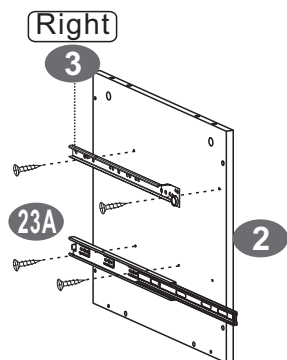
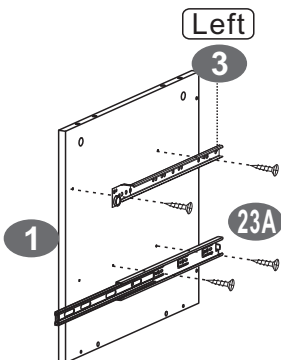
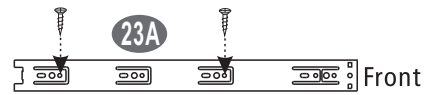
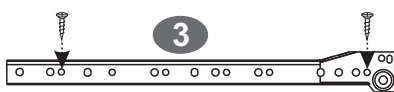
13



D 4X20 MM
2PCS

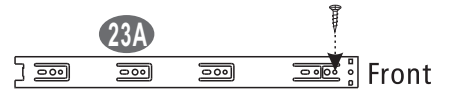
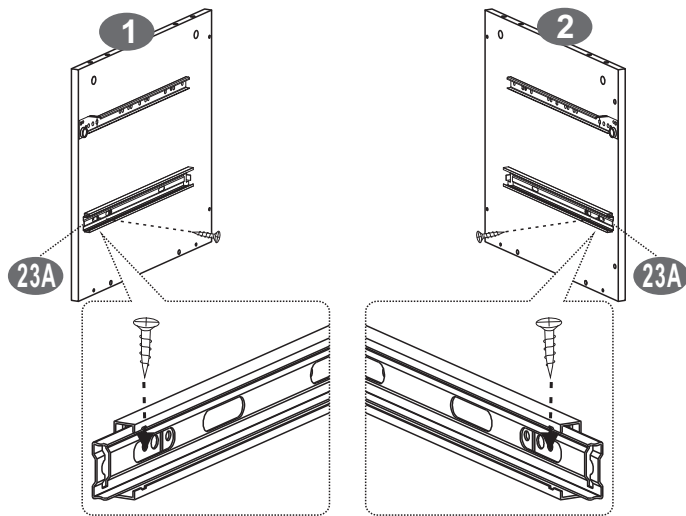
14



A 3X15 MM
8PCS



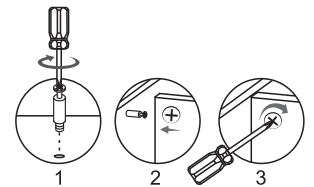
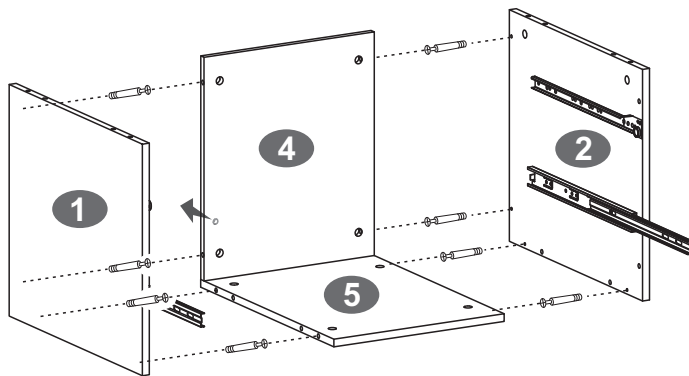

15



A 3X15 MM
2PCS



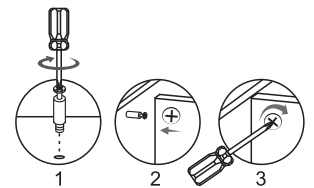
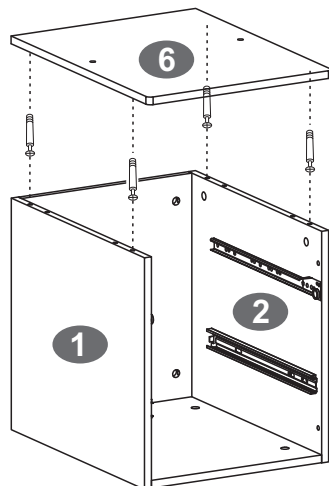
16



B 6X40 MM
8PCS



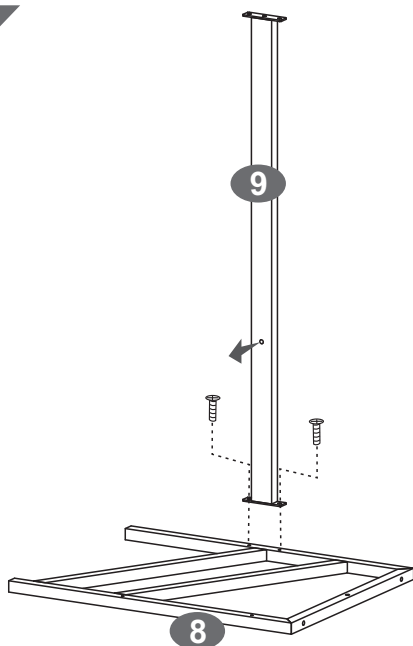
17



B 6X40 MM
4PCS



18

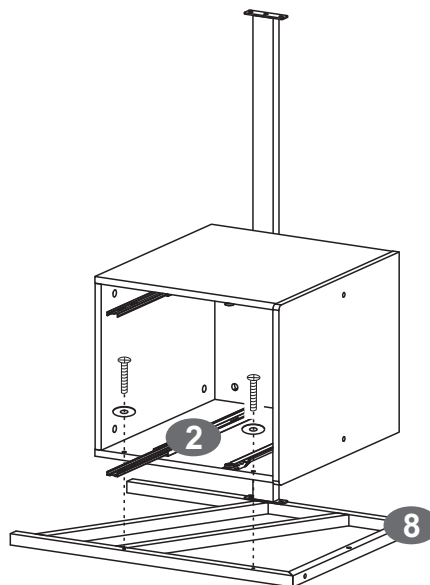


E 6X12 MM

2PCS



19



K 6X30 MM

2PCS

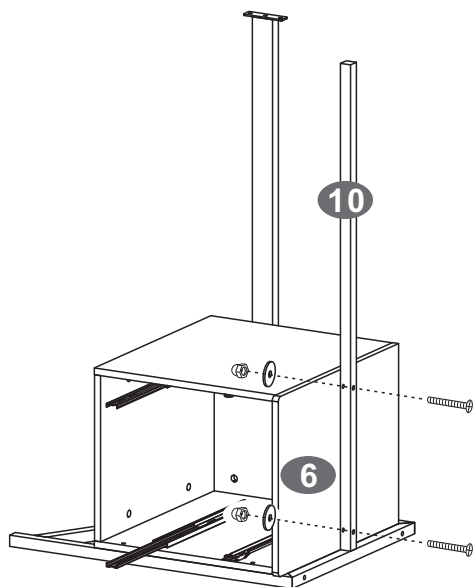


L Φ 16 MM

2PCS



20



G 6X45 MM

2PCS



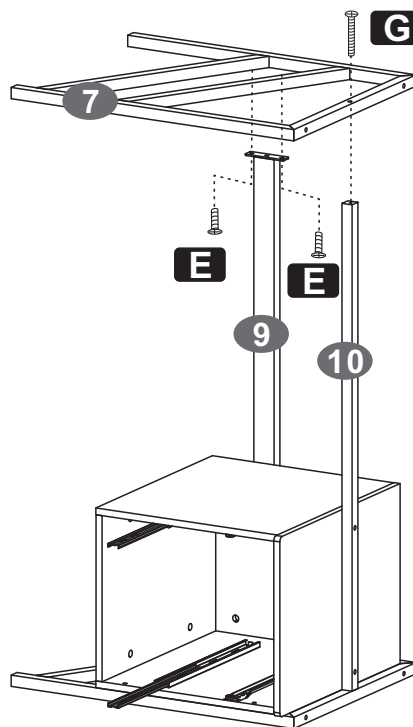
L Φ 16 MM

2PCS

J

2PCS

21



E 6X12 MM

2PCS

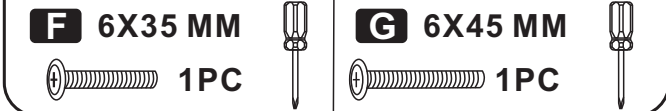
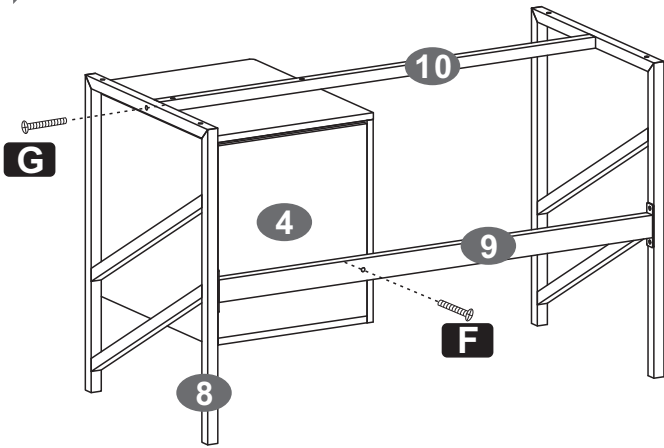


G 6X45 MM

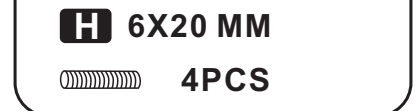
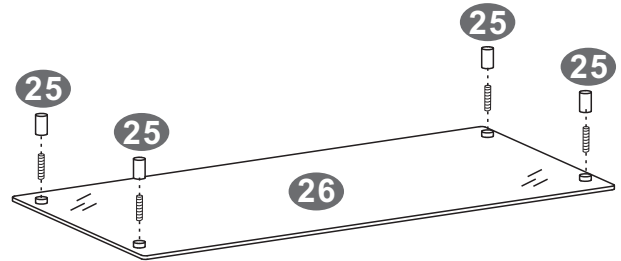
1PC



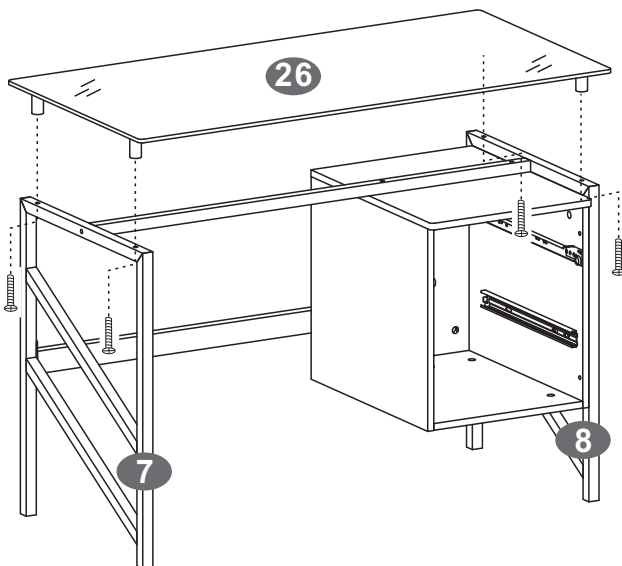
22



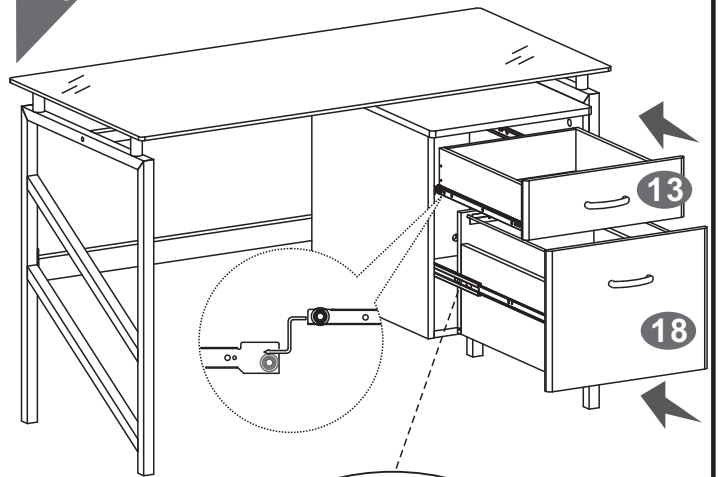
23



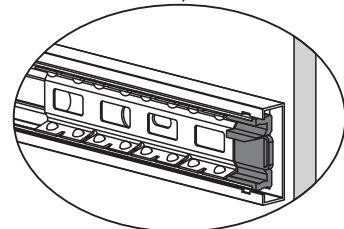
24



25



1st



2nd

