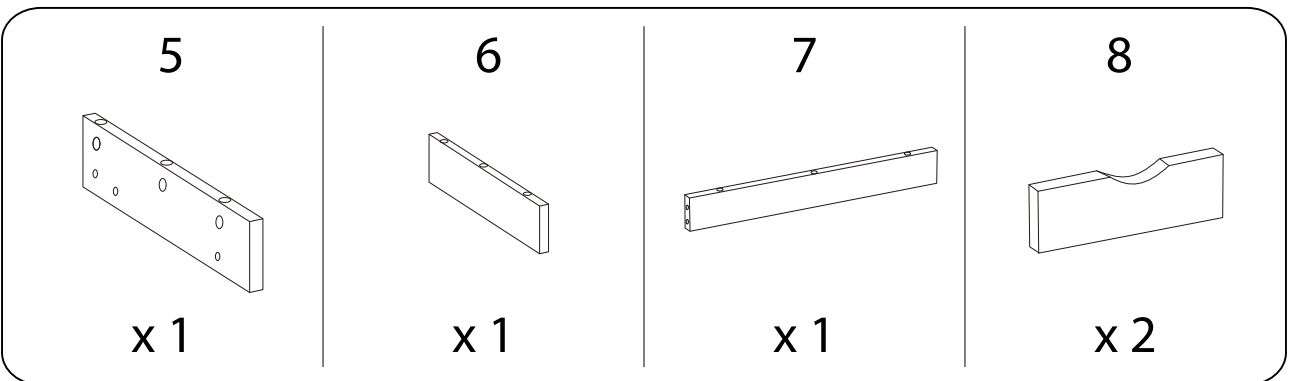
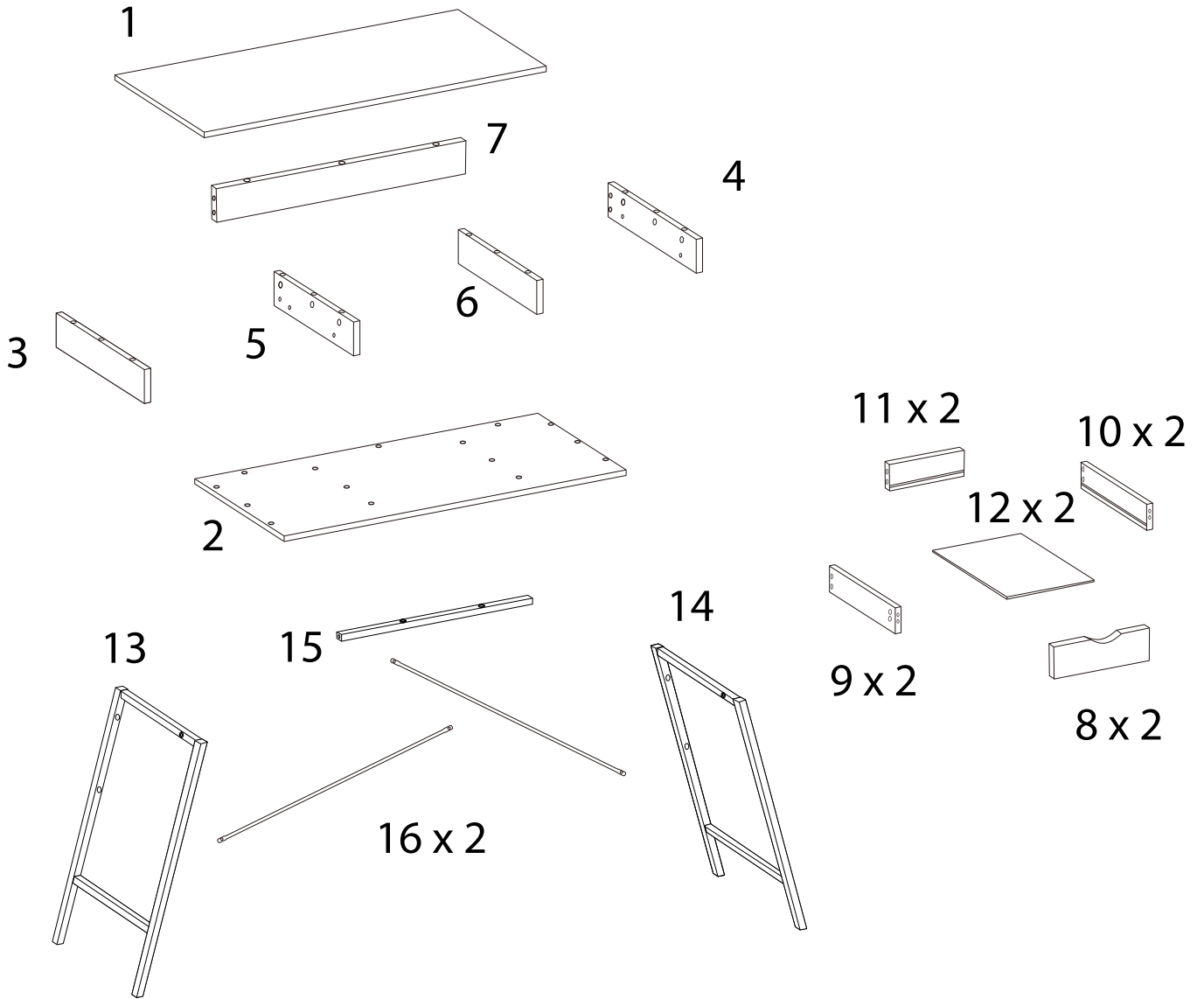
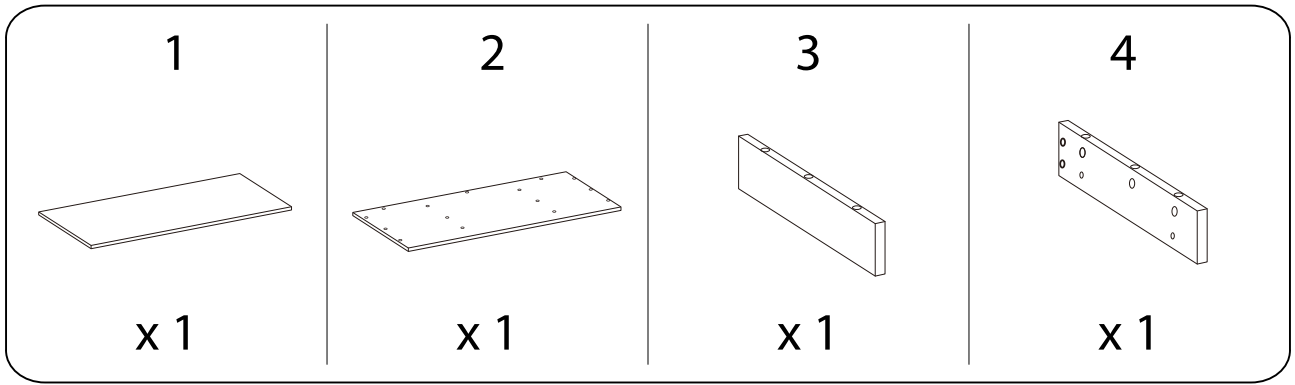
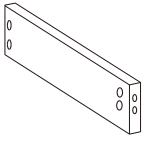
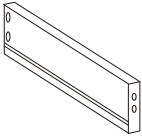
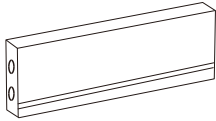
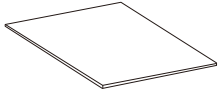
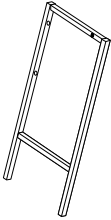
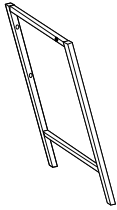

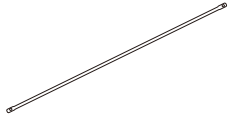
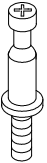
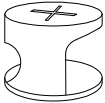
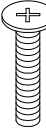
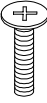
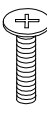
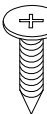
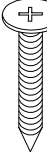


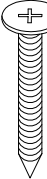
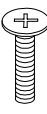


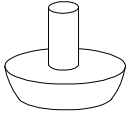


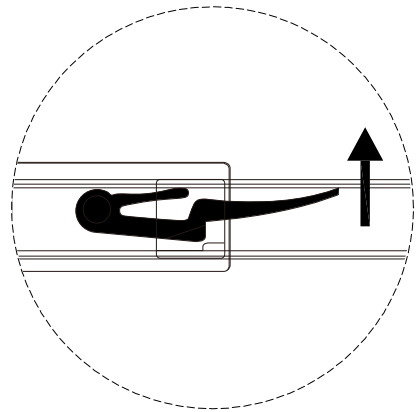
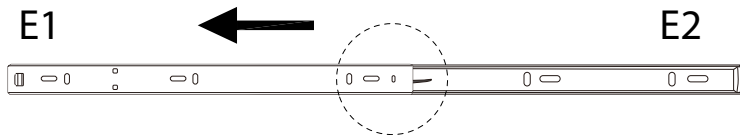
Assembly instructions for step 1/14:

- Tools:** A screwdriver is shown as the required tool. A power drill is shown with a diagonal line through it, indicating it is not to be used.
- Warning:** A warning triangle with an exclamation mark is positioned above the tool icons.
- Time:** A clock icon is shown with the number 60' below it, indicating a 60-minute time limit.
- Personnel:** An icon of a person is shown with the number 1 below it, indicating that one person is required for this step.
- Diagram:** A diagram shows a rectangular block being placed on a surface with a textured pattern. A second diagram shows the block being pushed down, with a diagonal line through it, indicating that the block should not be pushed down.

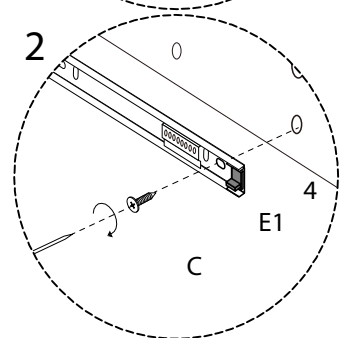
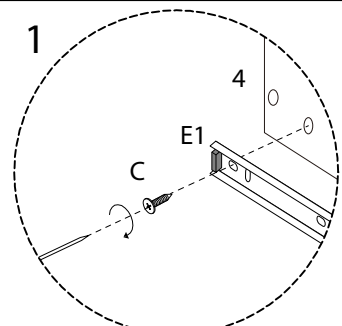
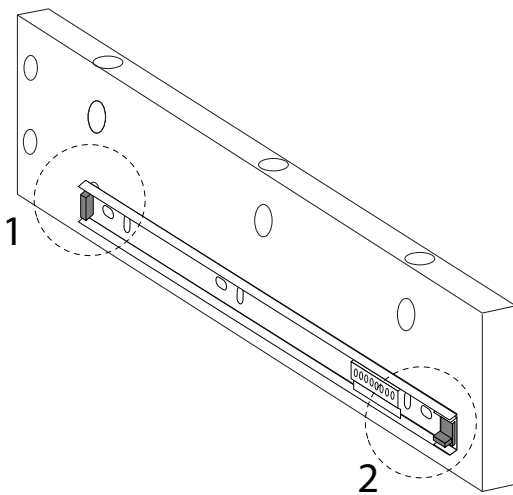
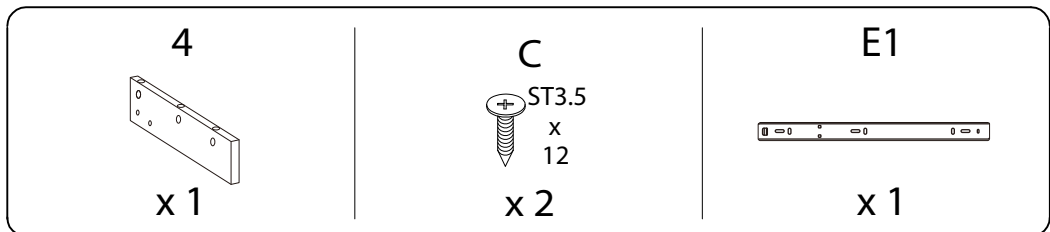


<p>9</p>  <p>x 2</p>	<p>10</p>  <p>x 2</p>	<p>11</p>  <p>x 2</p>	<p>12</p>  <p>x 2</p>	
<p>13</p>  <p>x 1</p>	<p>14</p>  <p>x 1</p>	<p>15</p>  <p>x 1</p>	<p>16</p>  <p>x 2</p>	
<p>A1</p>  <p>x 27</p>	<p>A2</p>  <p>x 27</p>	<p>B1</p>  <p>M6 x 30</p> <p>x 2</p>	<p>B2</p>  <p>M6 x 25</p> <p>x 4</p>	
<p>B3</p>  <p>M6 x 20</p> <p>x 4</p>	<p>C</p>  <p>ST3.5 x 12</p> <p>x 16</p>	<p>D</p>  <p>ST3.5 x 25</p> <p>x 2</p>	<p>E1</p>  <p>x 4</p>	<p>E2</p>  <p>x 4</p>
<p>F</p>  <p>ST5 x 50</p> <p>x 23</p>	<p>G</p>  <p>M4 x 25</p> <p>x 1</p>	<p>H</p>  <p>M4</p> <p>x 1</p>	<p>I</p>  <p>M6</p> <p>x 4</p>	<p>J</p>  <p>x 4</p>

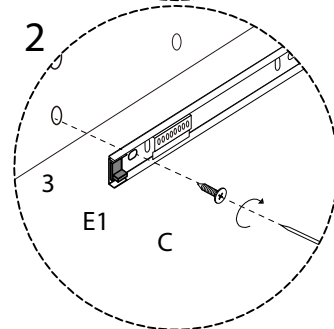
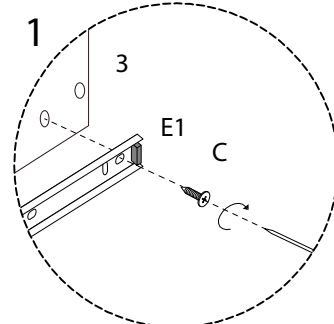
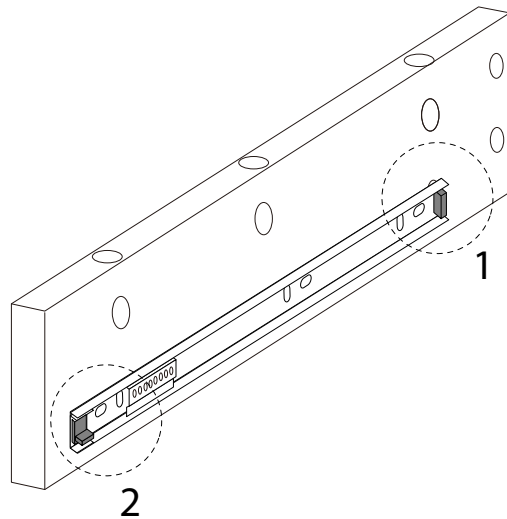
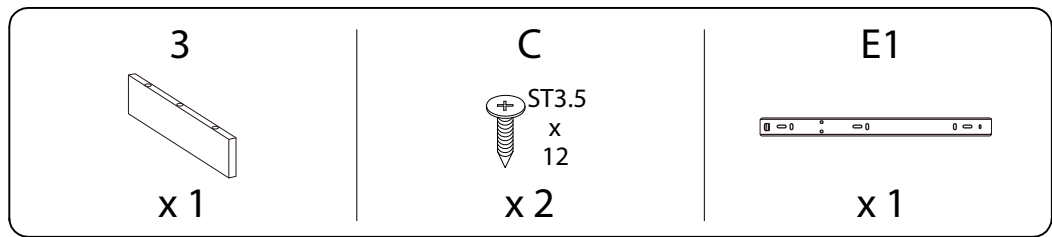
!



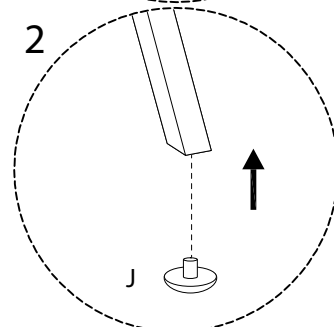
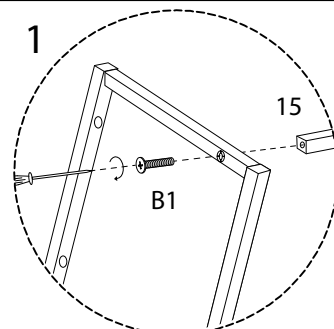
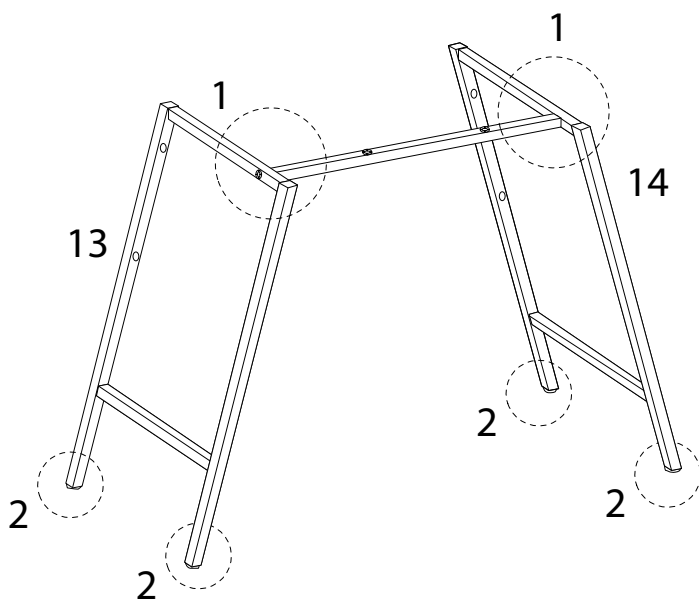
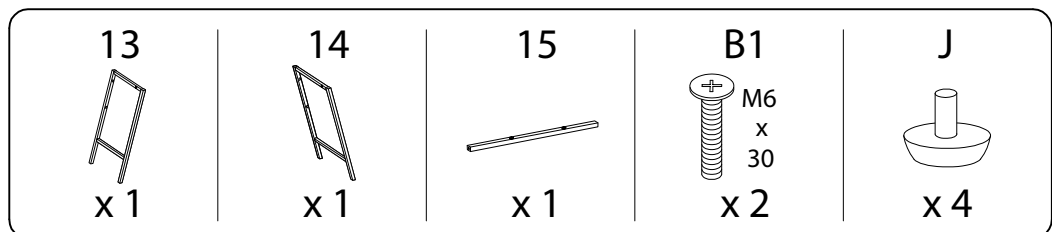
1






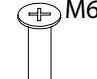

2

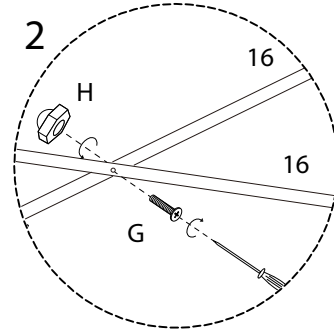
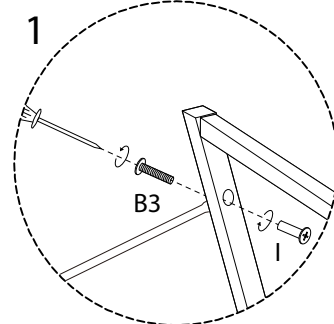
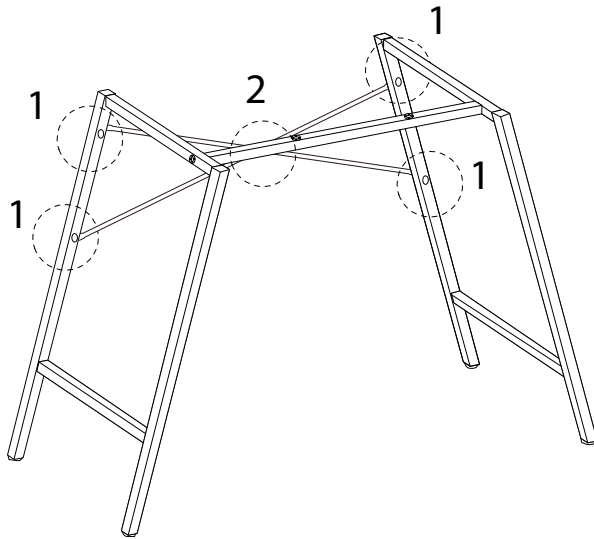


3

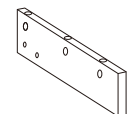
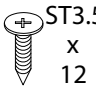



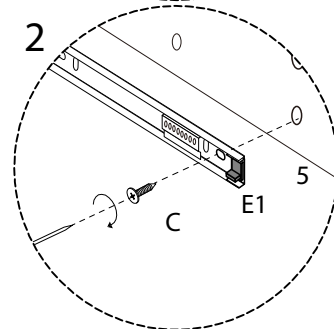
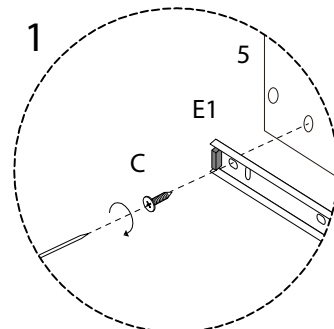
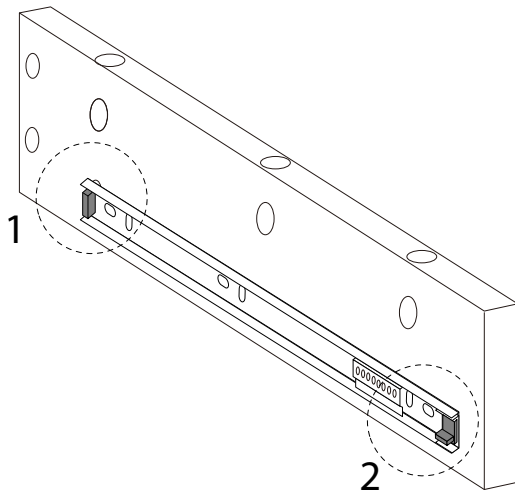
4

16	B3	H	I	G
				
x 2	x 4	x 1	x 4	x 1

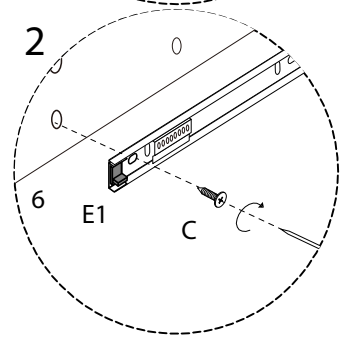
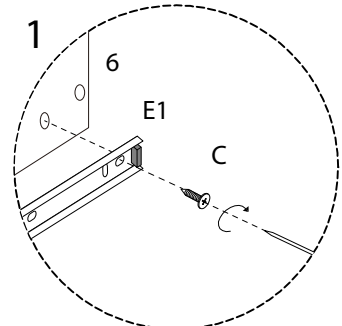
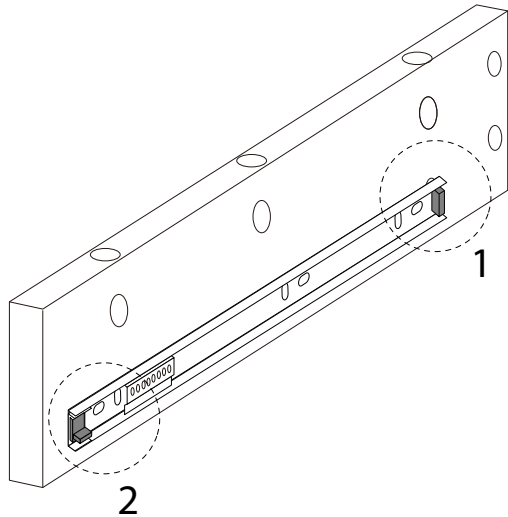
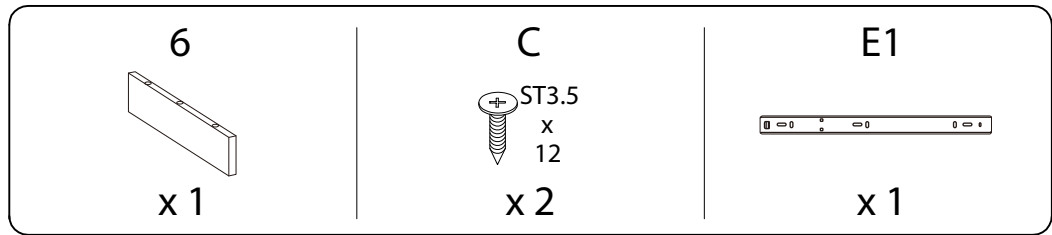


5

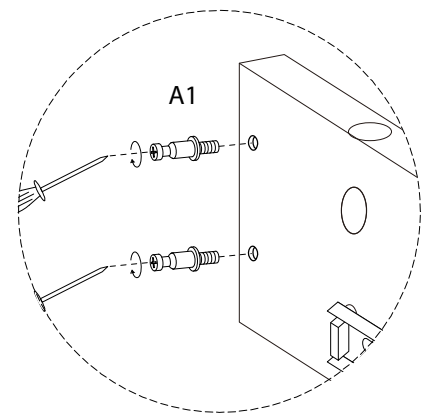
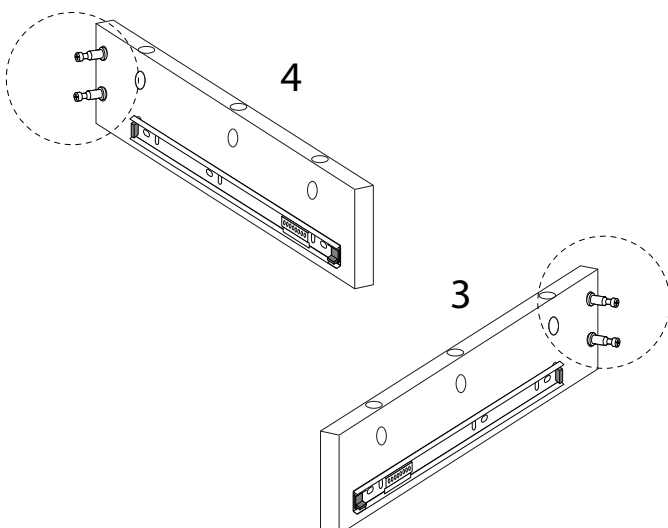
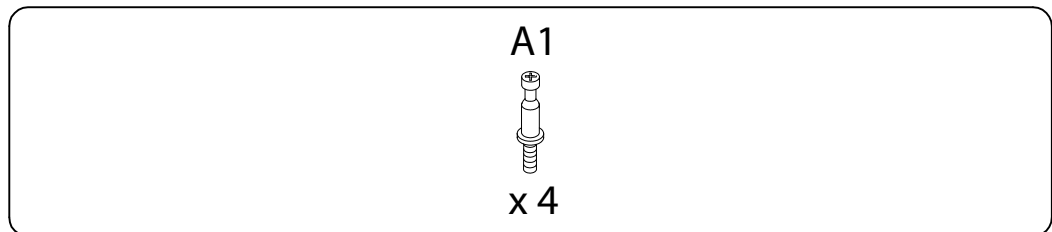
5	C	E1
		
x 1	x 2	x 1



6

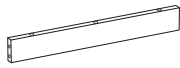


7



8

7

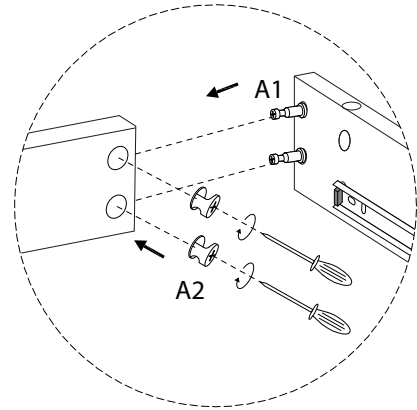
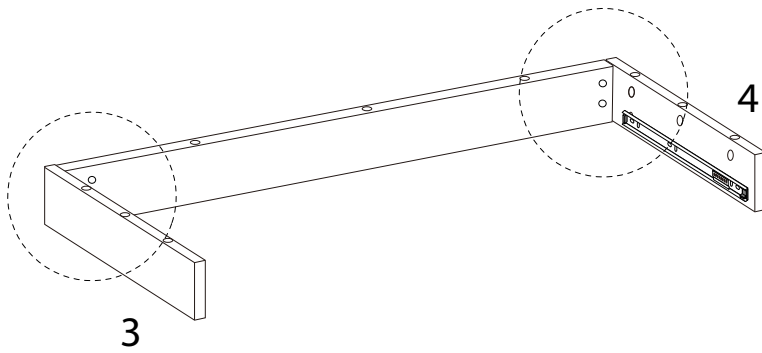


x 1

A2

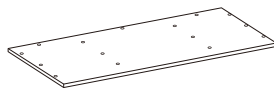


x 4



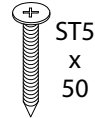
9

2

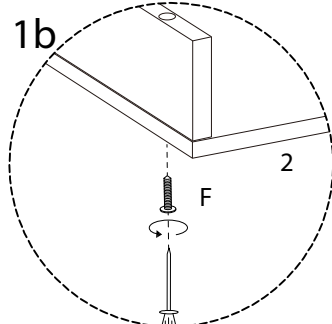
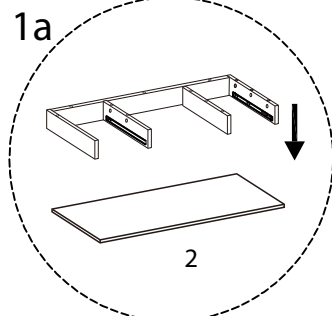
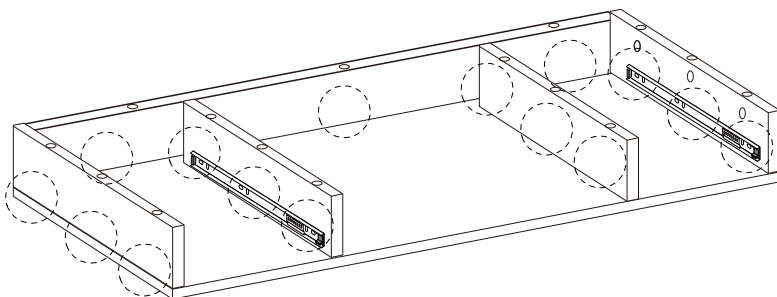


x 1

F

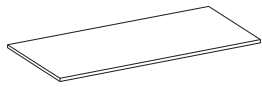


x 15



10

1

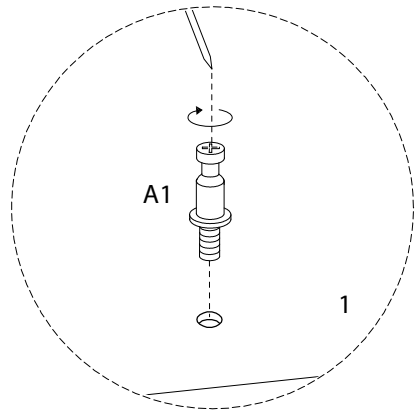
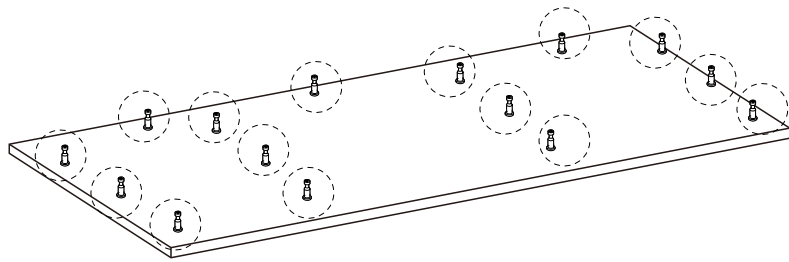


x 1

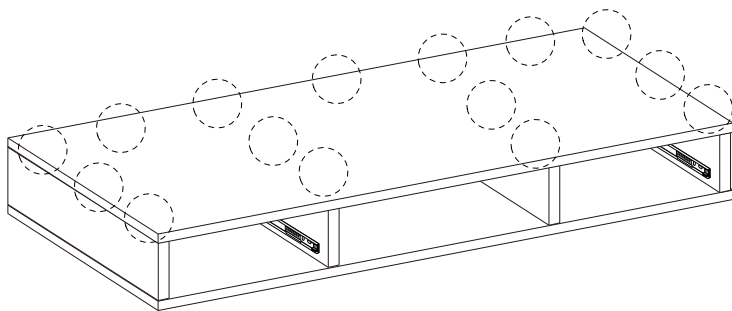
A1



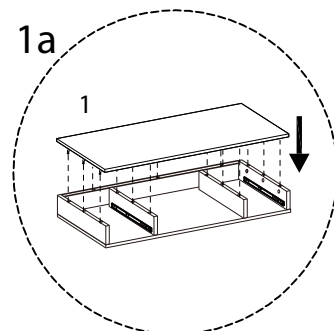
x 15



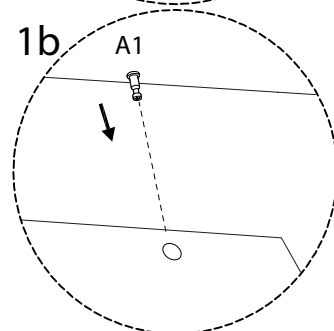
11



1a



1b

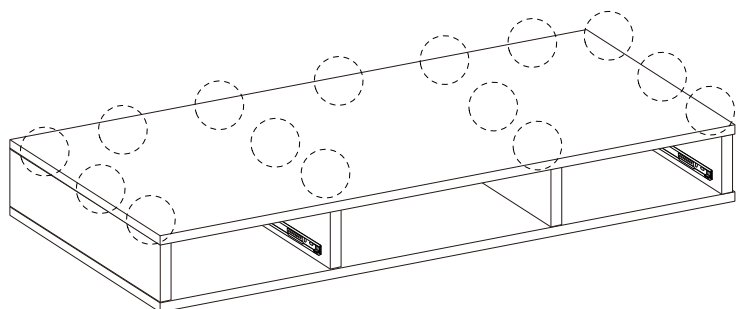


12

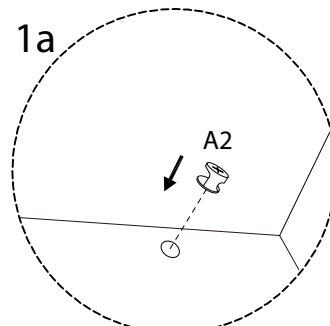
A2



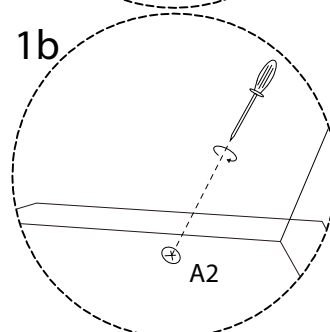
x 15



1a



1b



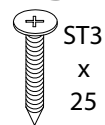
13

B2

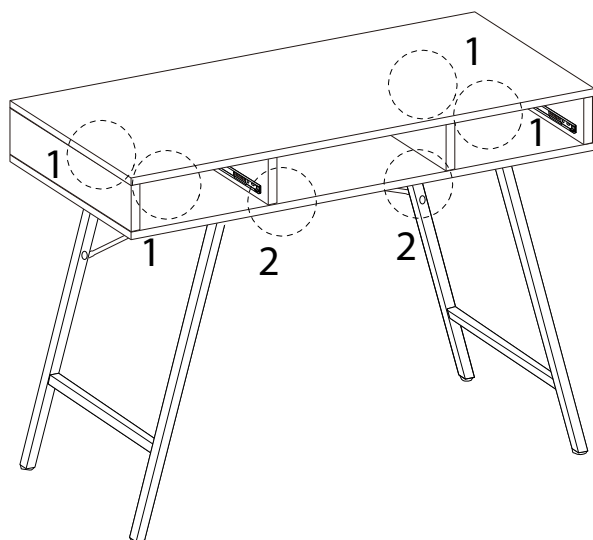


x 4

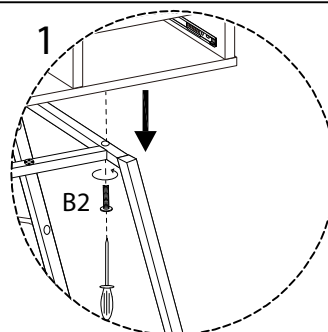
D



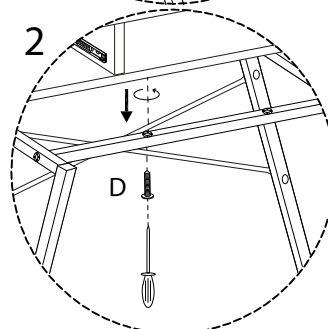
x 2



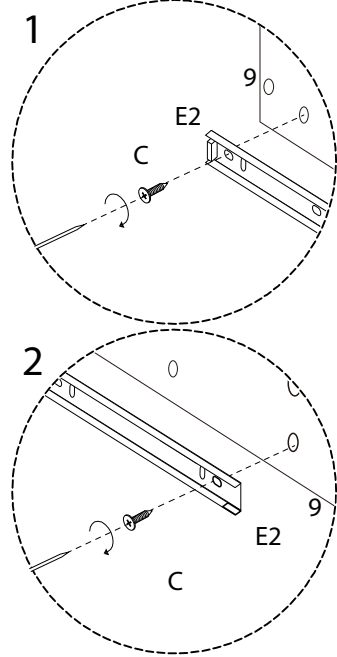
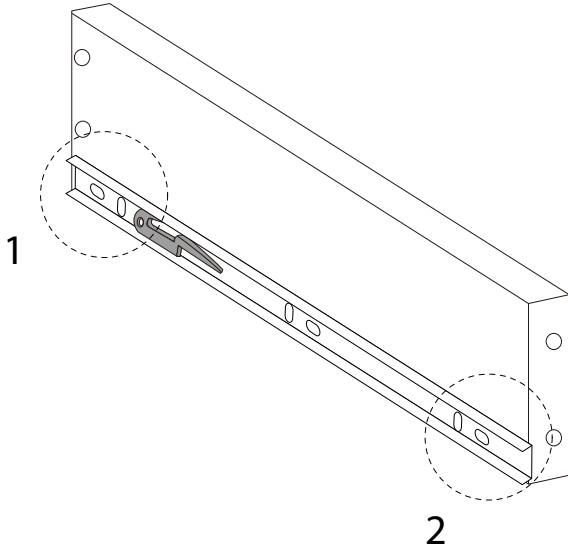
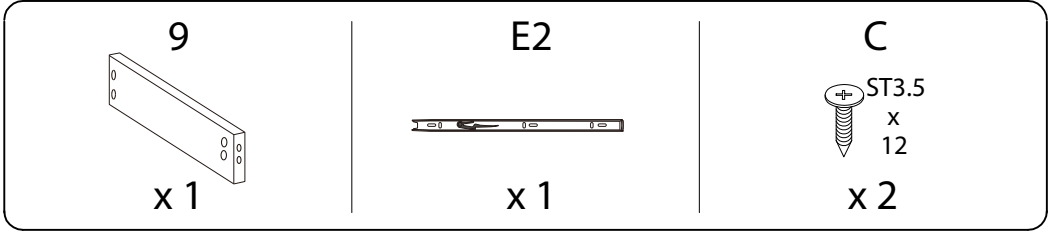
1



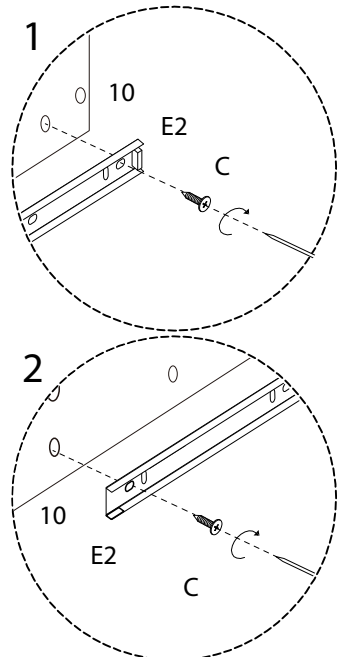
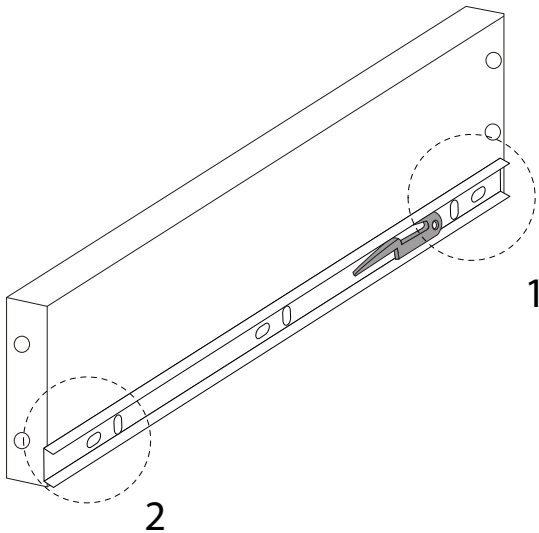
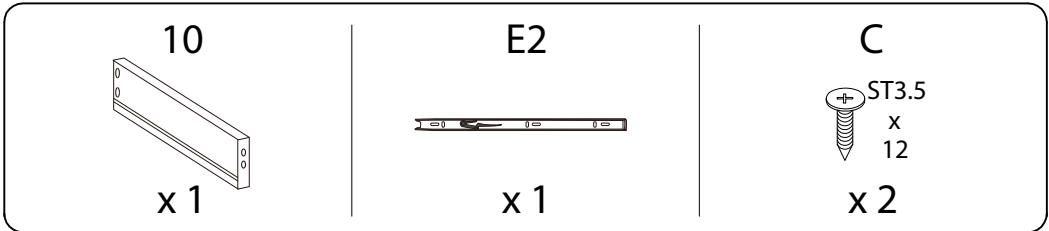
2



14 x 2

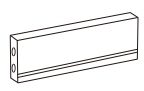


15 x 2



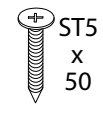
16 x 2

11

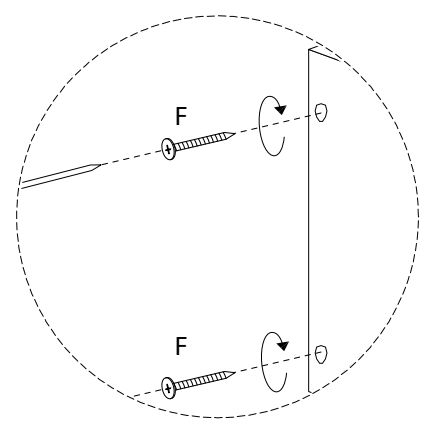
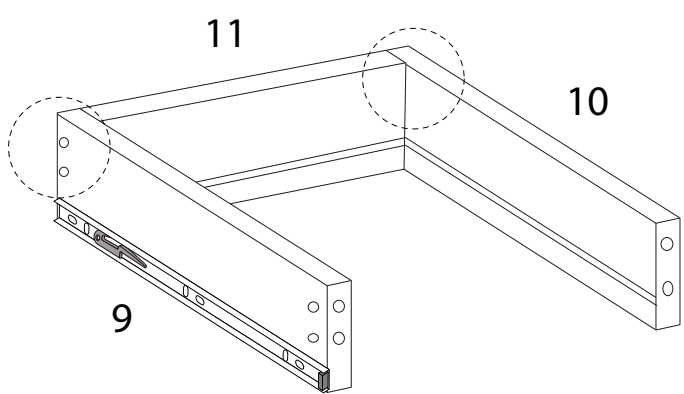


x 1

F

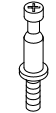


x 4



17 x 2

A1

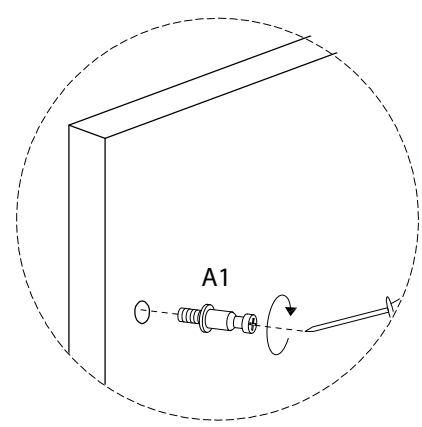
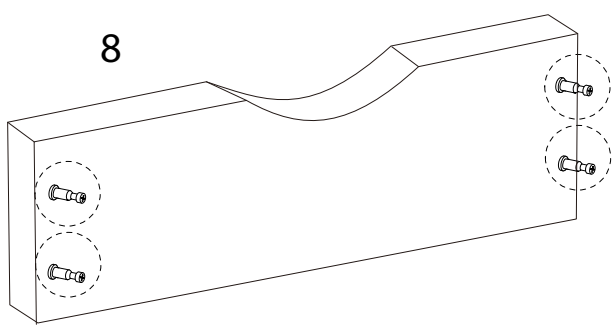


x 4

8

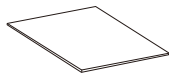


x 1

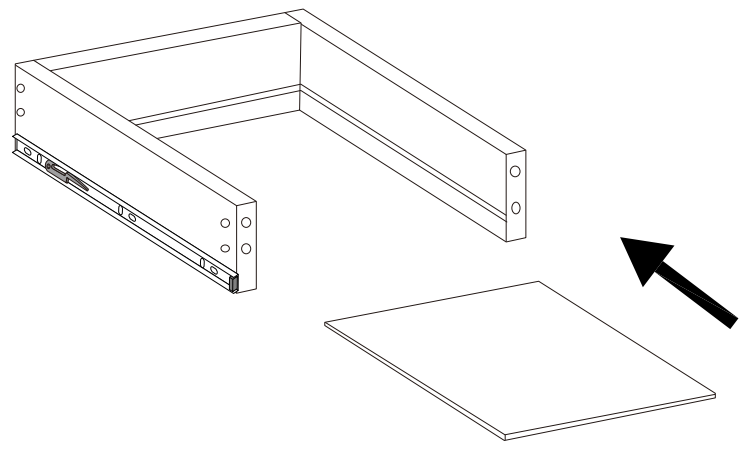


18 x 2

12

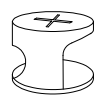


x 1

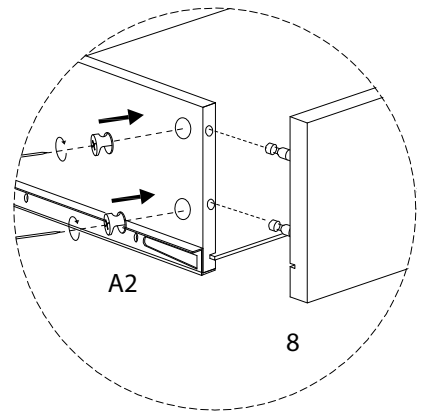
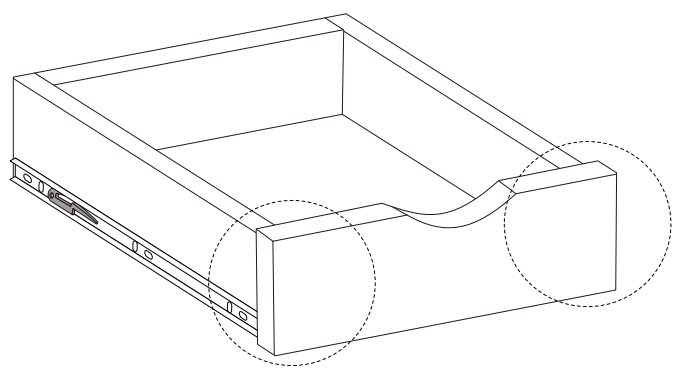


19 x 2

A2



x 4



20

