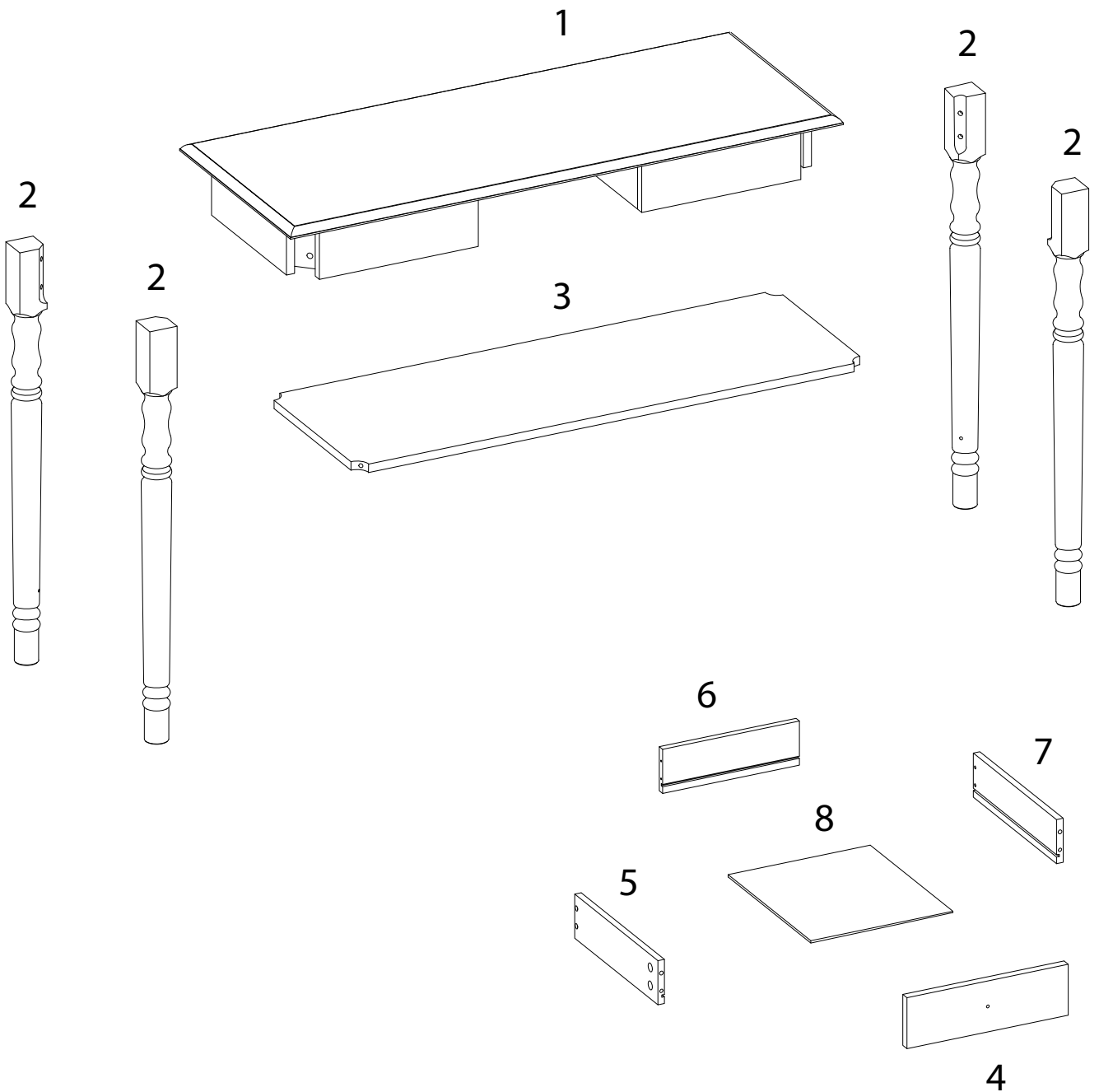
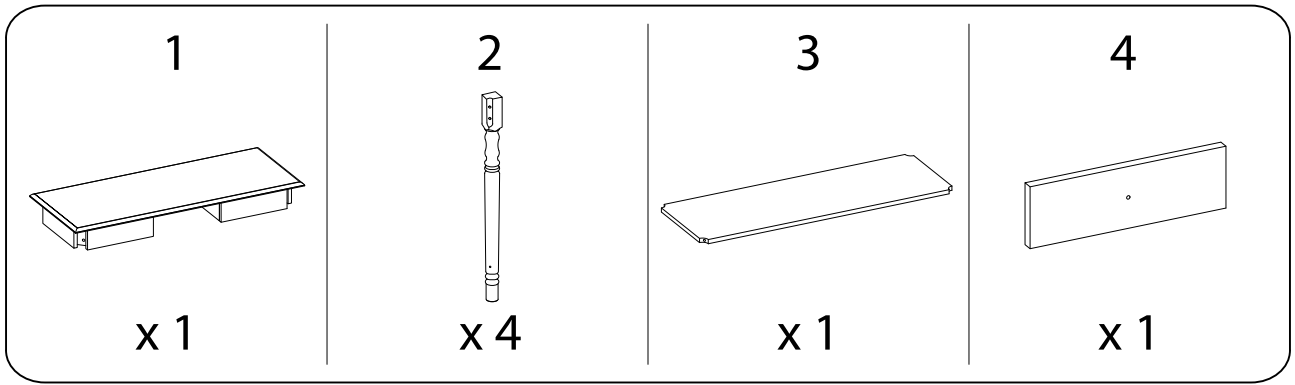
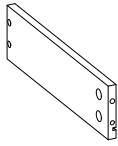


Assembly instructions for step 1/9:

- Tools:** A circle containing a screwdriver and an L-shaped hex key. A power drill is shown with a diagonal line through it, indicating it is not to be used.
- Warning:** A triangle with an exclamation mark.
- Time:** A clock icon with the text "40'" below it, indicating an estimated assembly time of 40 minutes.
- Personnel:** A stick figure icon with the number "1" below it, indicating that one person is required for assembly.

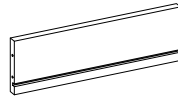


5



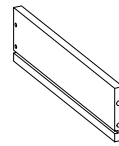
x 1

6



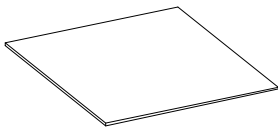
x 1

7



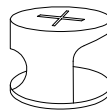
x 1

8



x 1

A



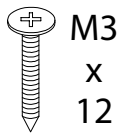
x 8

B



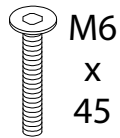
x 8

C



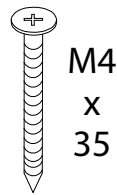
x 8

D



x 8

E



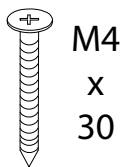
x 4

F



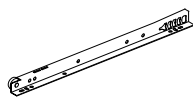
x 1

G



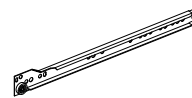
x 1

H



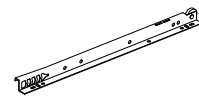
x 1

I



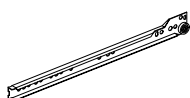
x 1

J



x 1

K



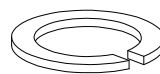
x 1

L



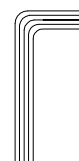
x 8

M



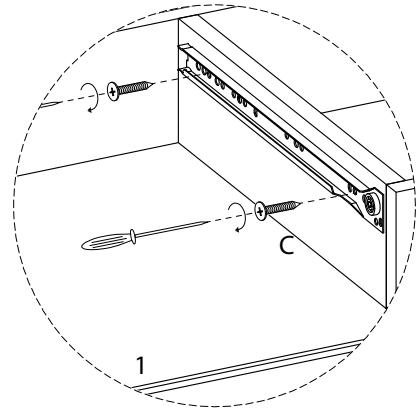
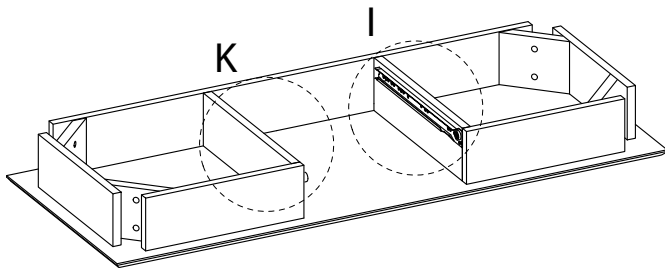
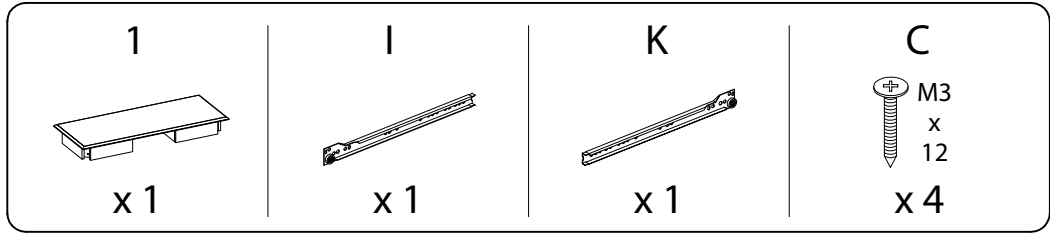
x 8

N

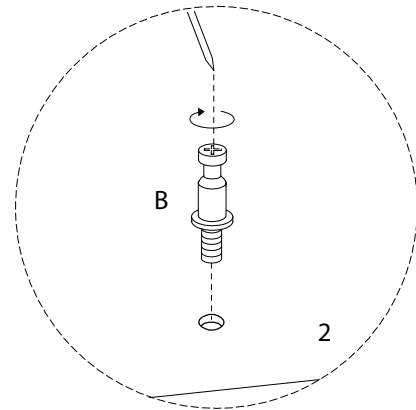
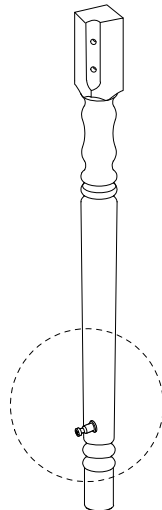
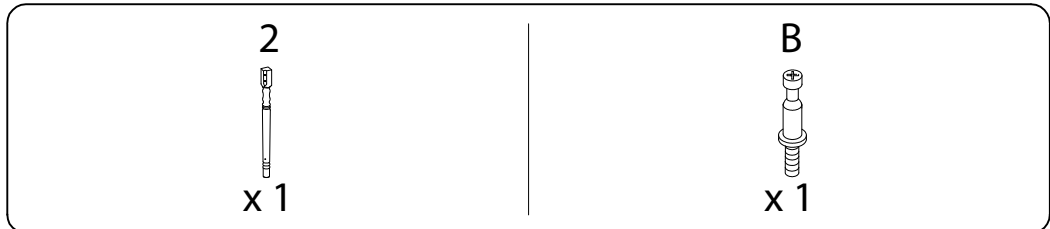


x 1

1

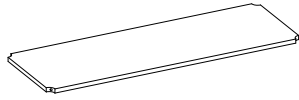


2 x 4



3

3

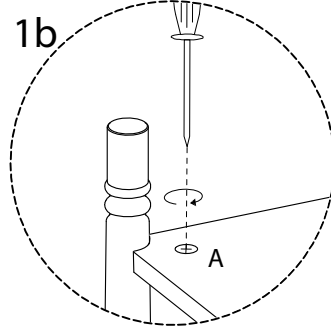
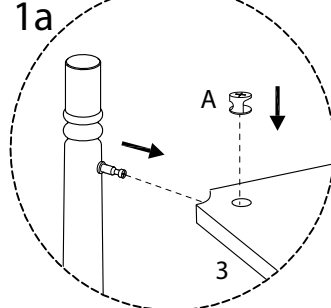
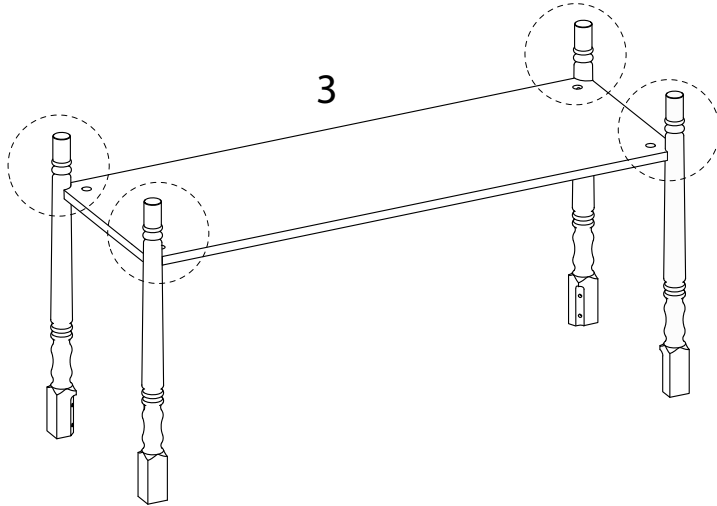


x 1

A



x 4



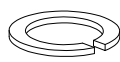
4

L



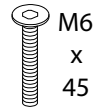
x 8

M



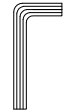
x 8

D

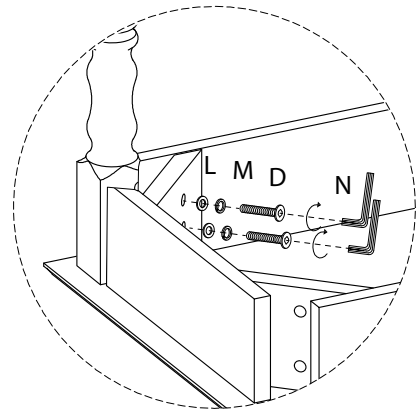
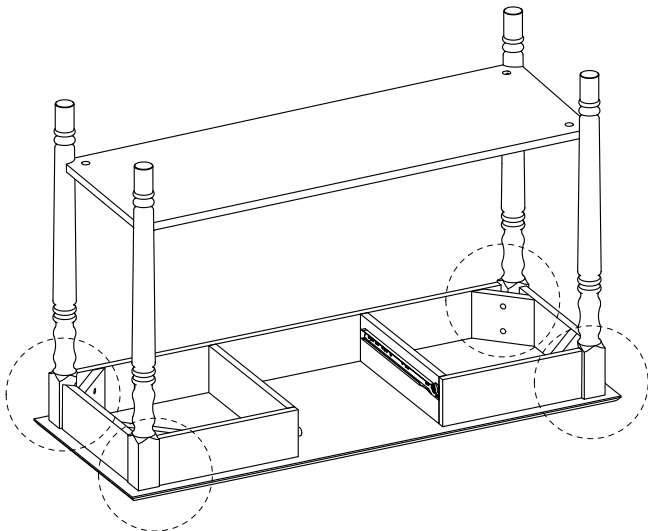


x 8

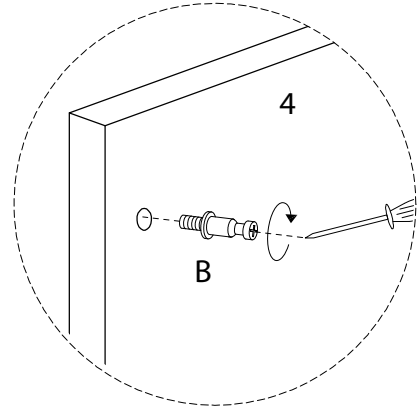
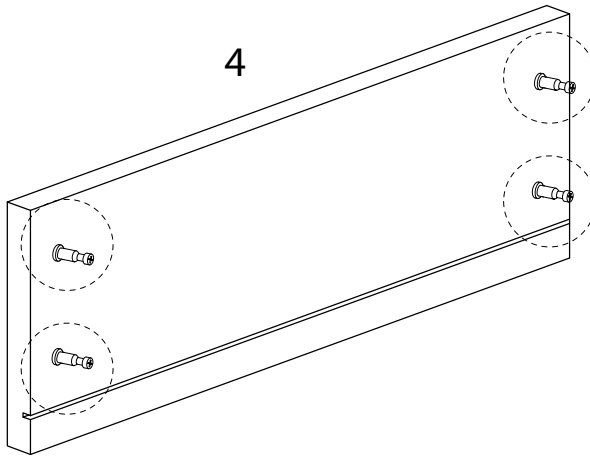
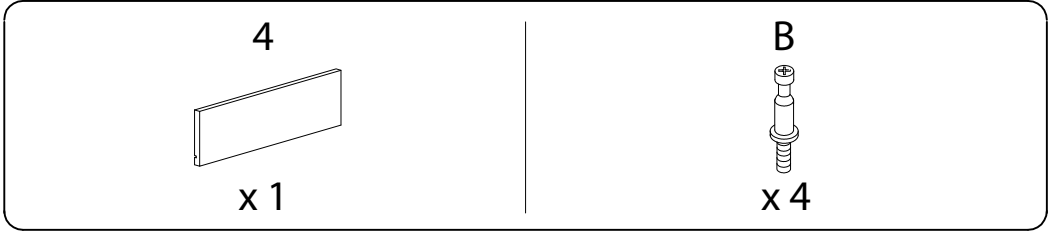
N



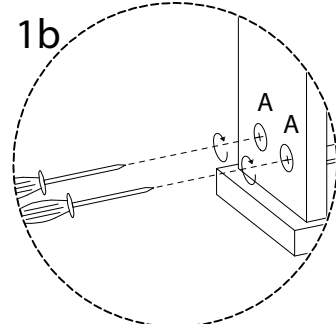
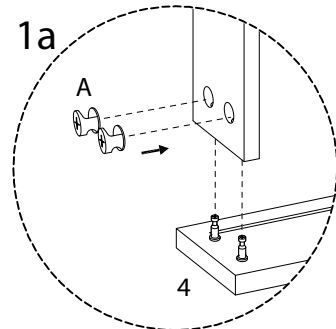
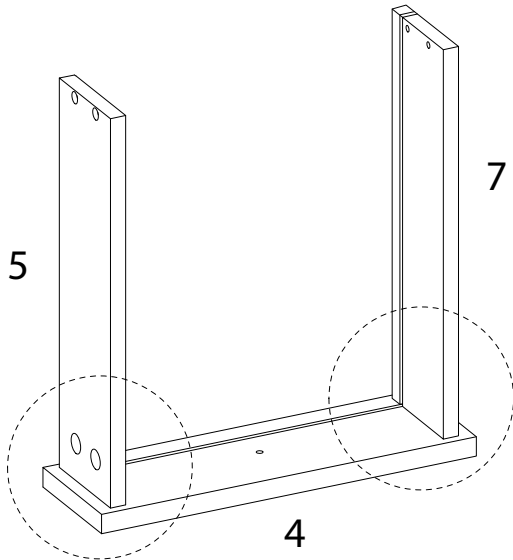
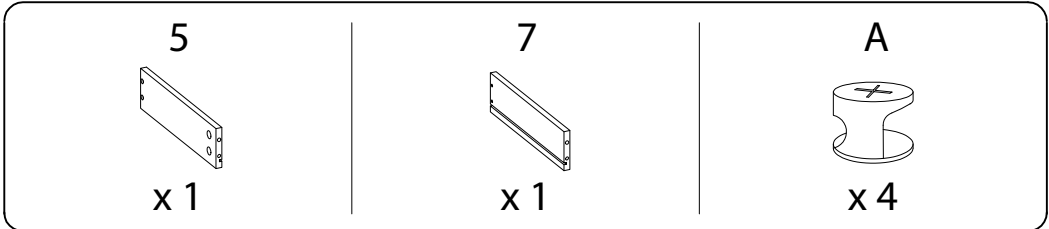
x 1



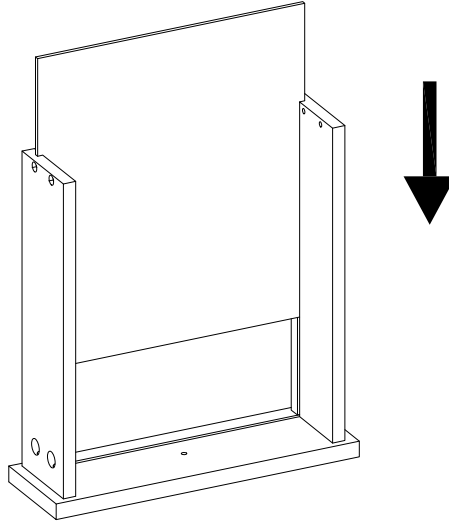
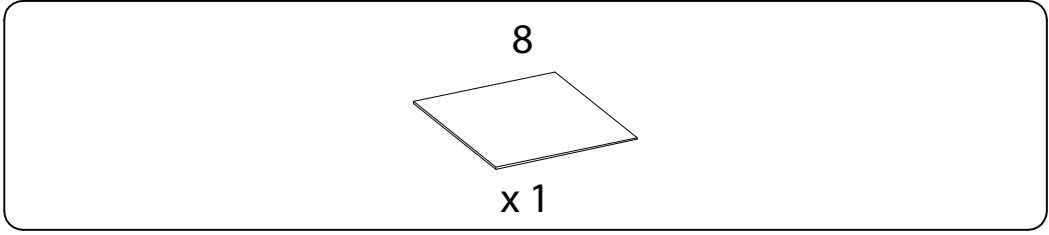
5



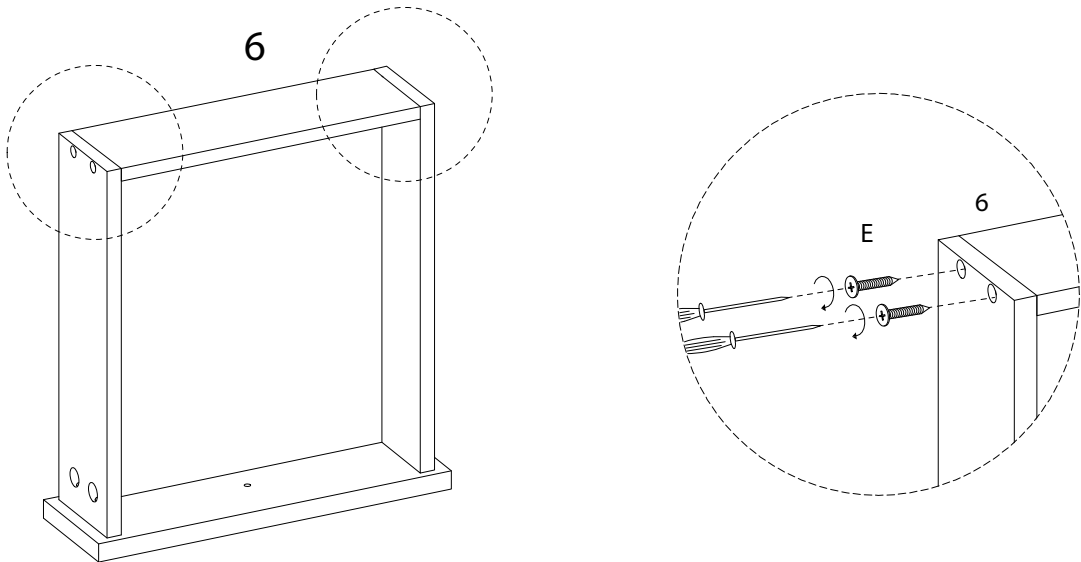
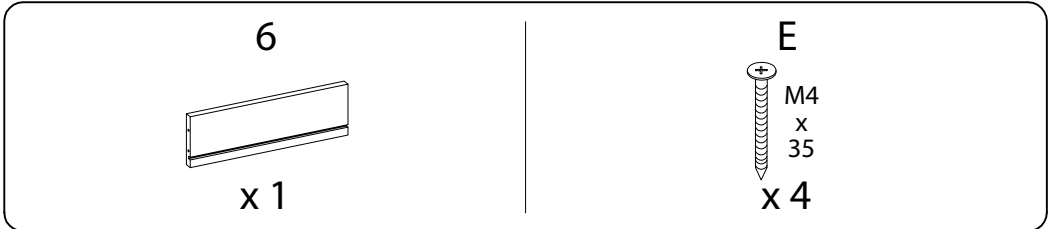
6



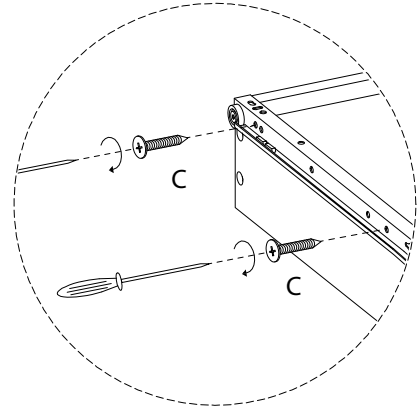
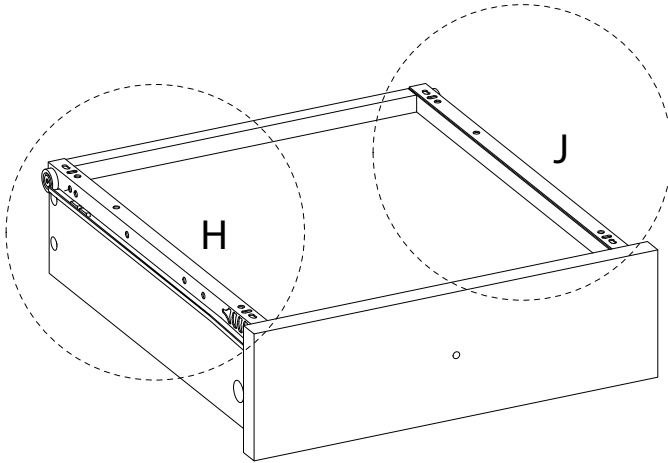
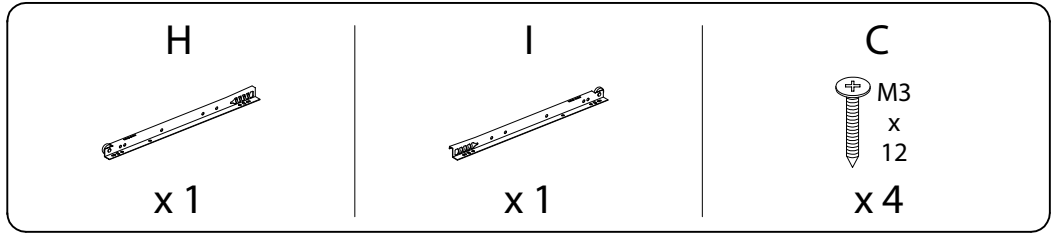
7



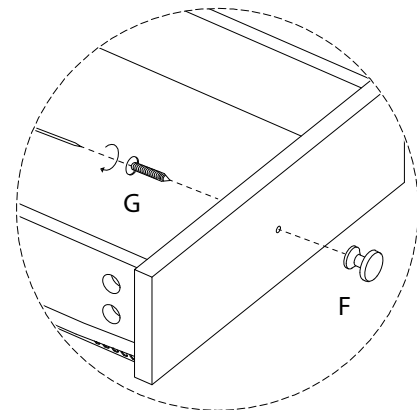
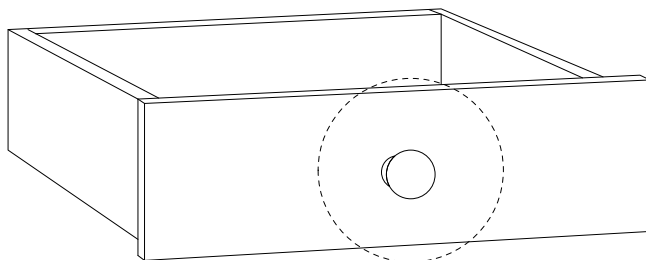
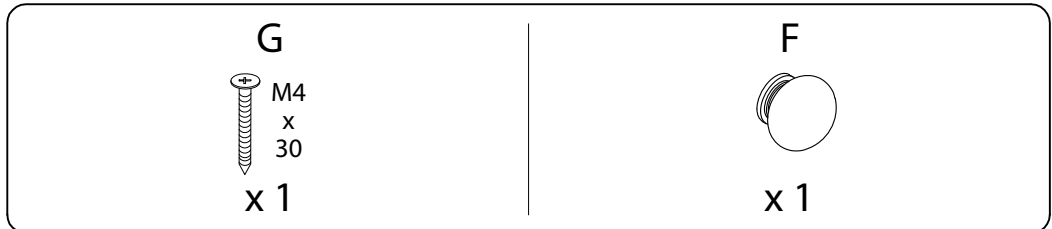
8



9



10





11

