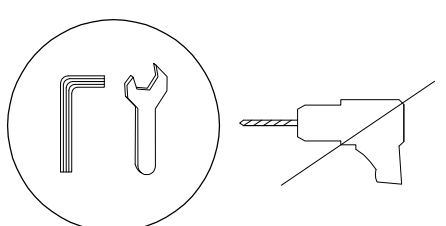
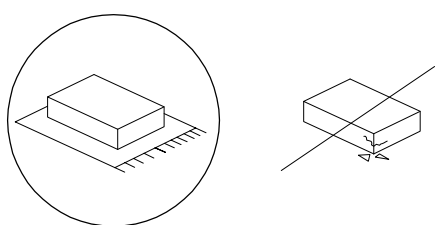
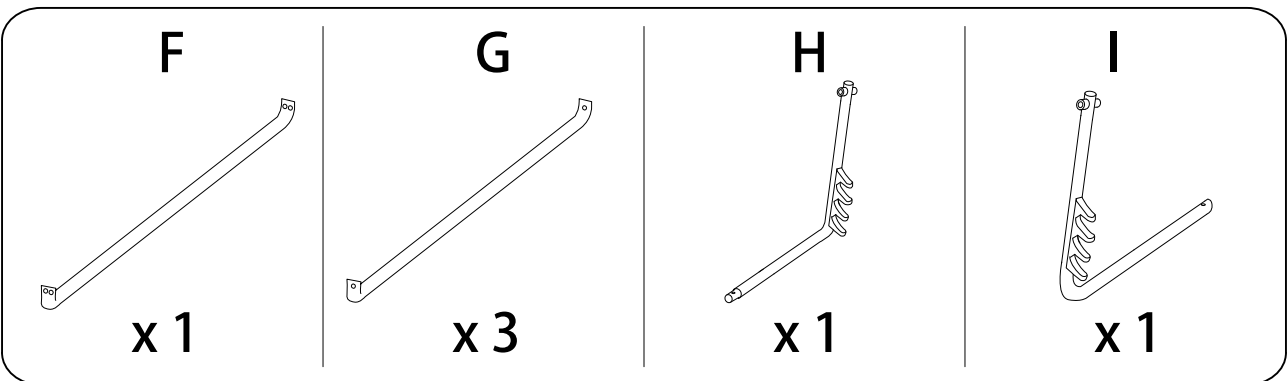
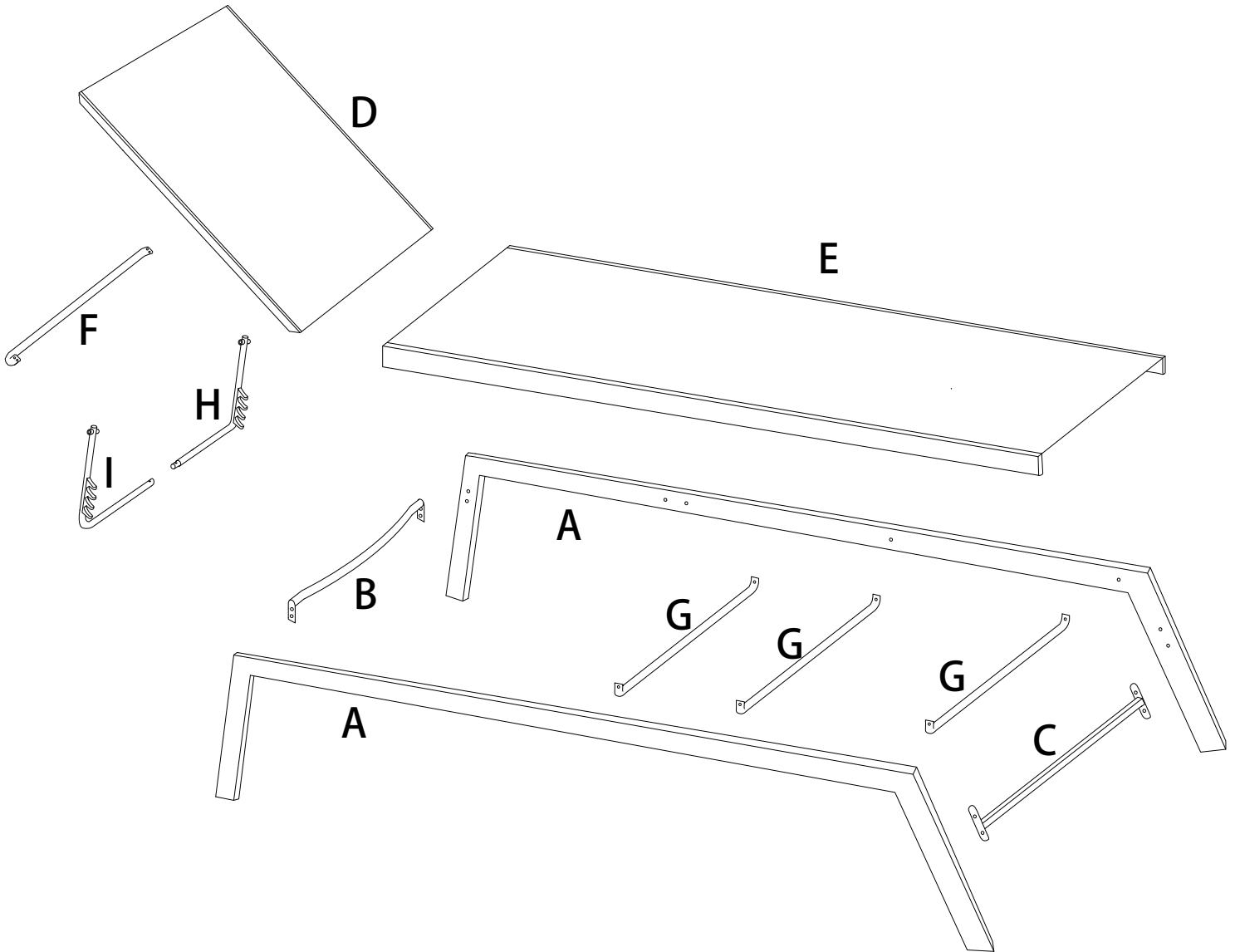
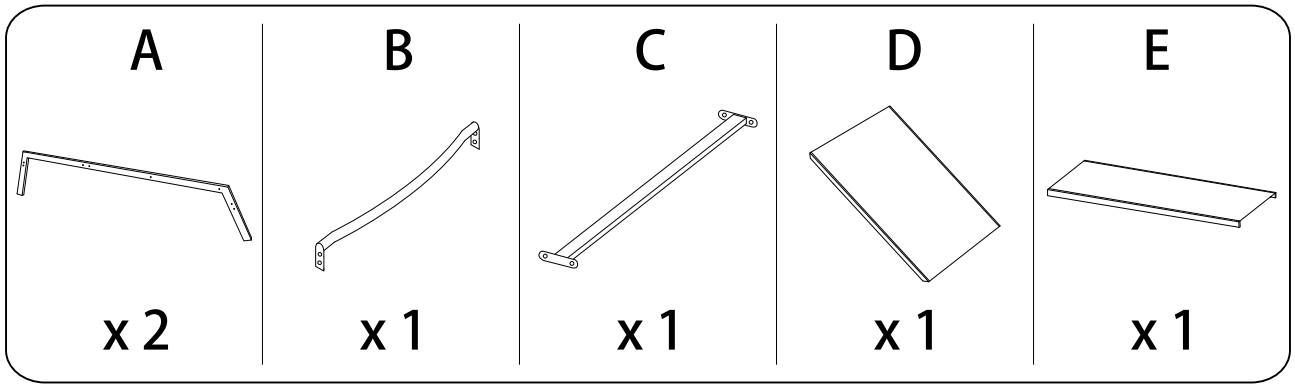


!  !

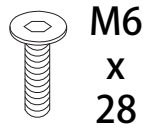
30'

!  !

1

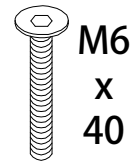


**J**



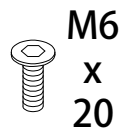
**x 8**

**K**



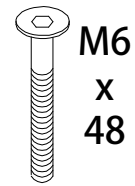
**x 8**

**L**



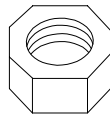
**x 6**

**M**



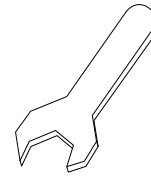
**x 2**

**N**



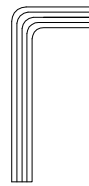
**x 8**

**O**




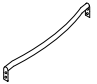

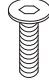
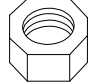


**x 1**

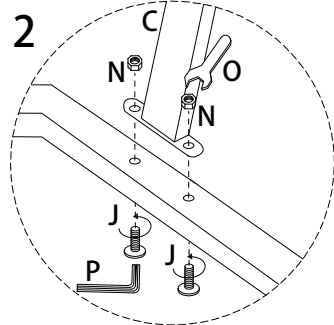
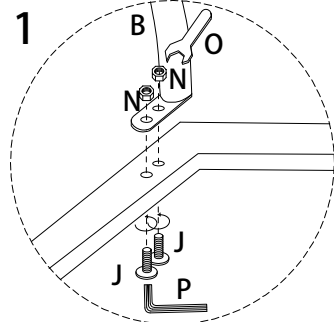
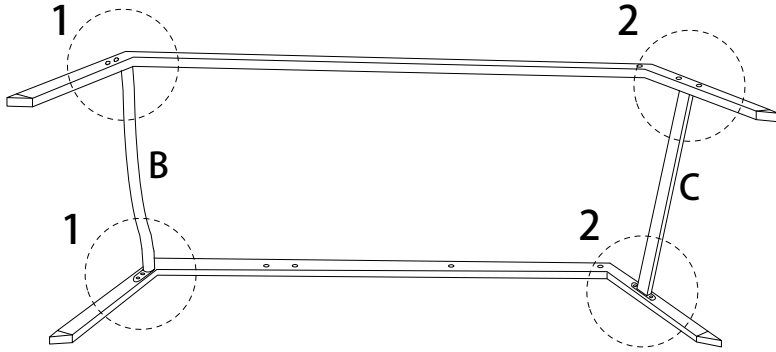
**P**




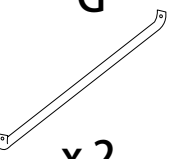


**x 1**

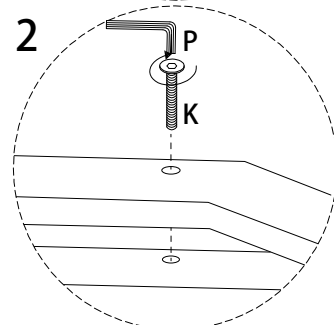
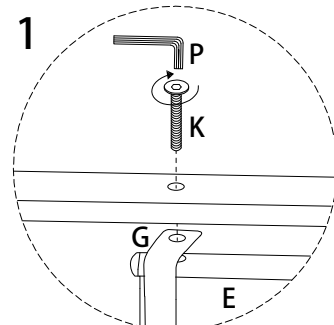
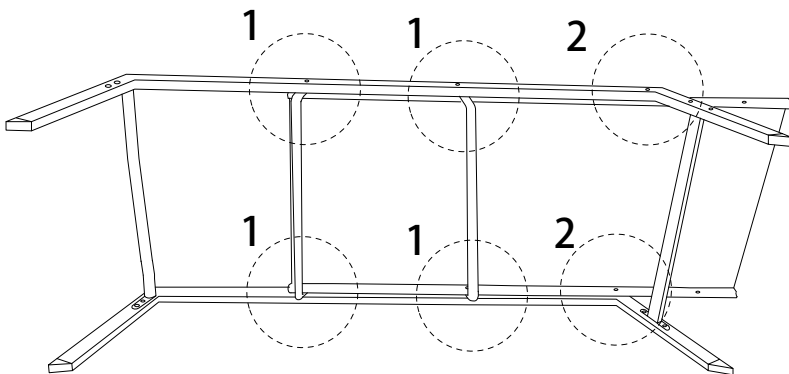
1

<b>A</b>  x2	<b>B</b>  x1	<b>C</b>  x1	<b>J</b>  M6 x 28 x8	<b>N</b>  x8	<b>O</b>  x1	<b>P</b>  x1
---	---	---	--	--	---	---

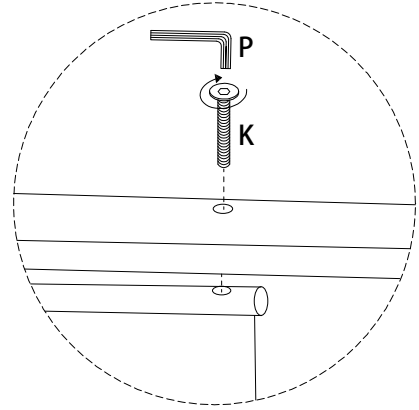
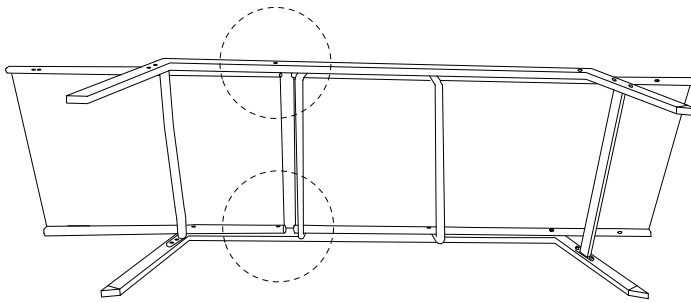
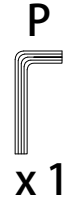
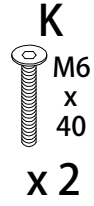
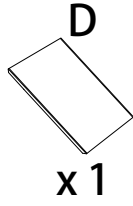


2

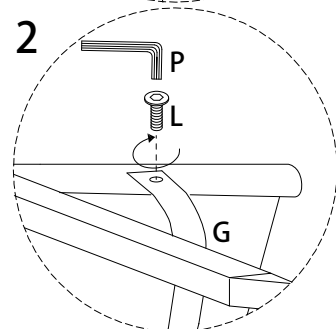
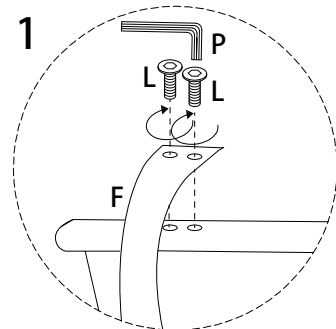
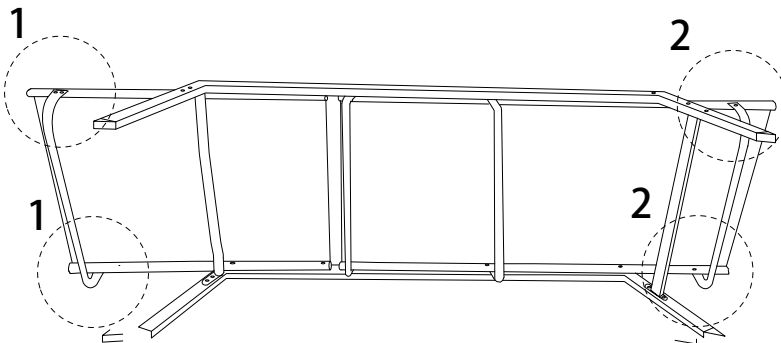
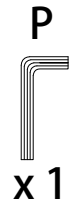
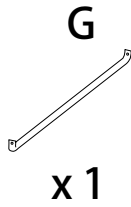
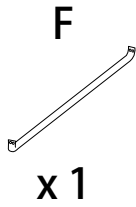
<b>E</b>  x1	<b>G</b>  x2	<b>K</b>  M6 x 40 x6	<b>P</b>  x1
---	---	---	---



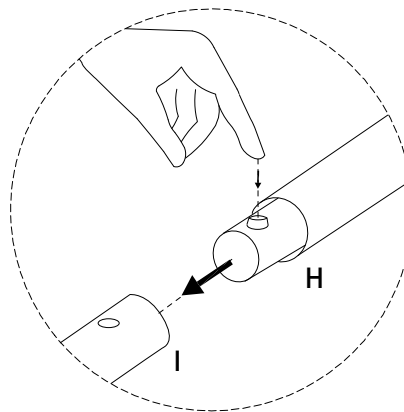
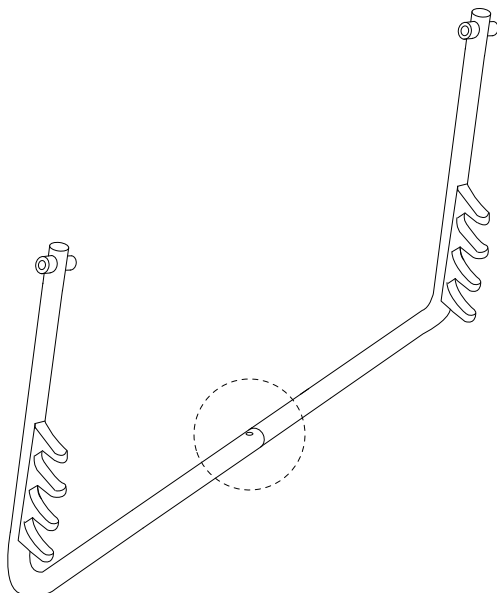
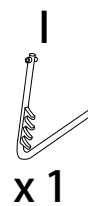
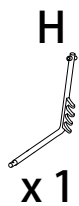
3



4



5



6

