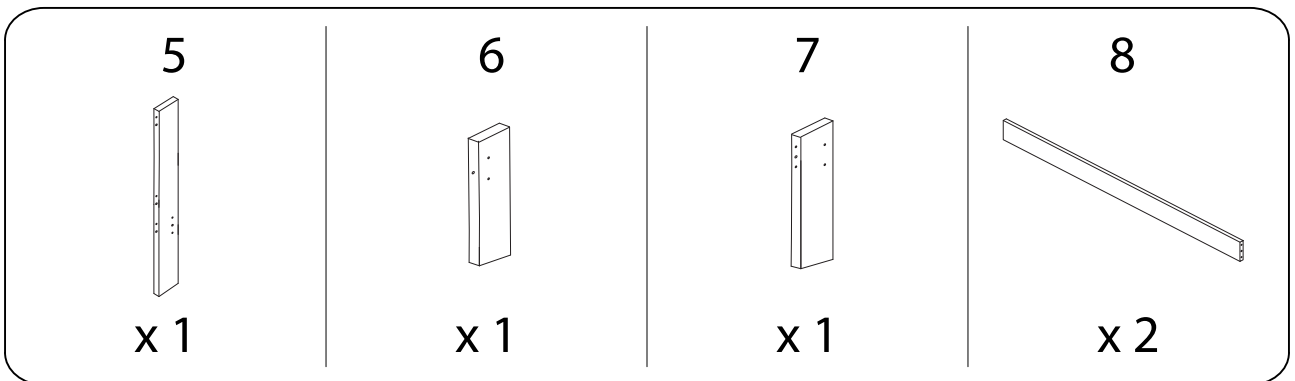
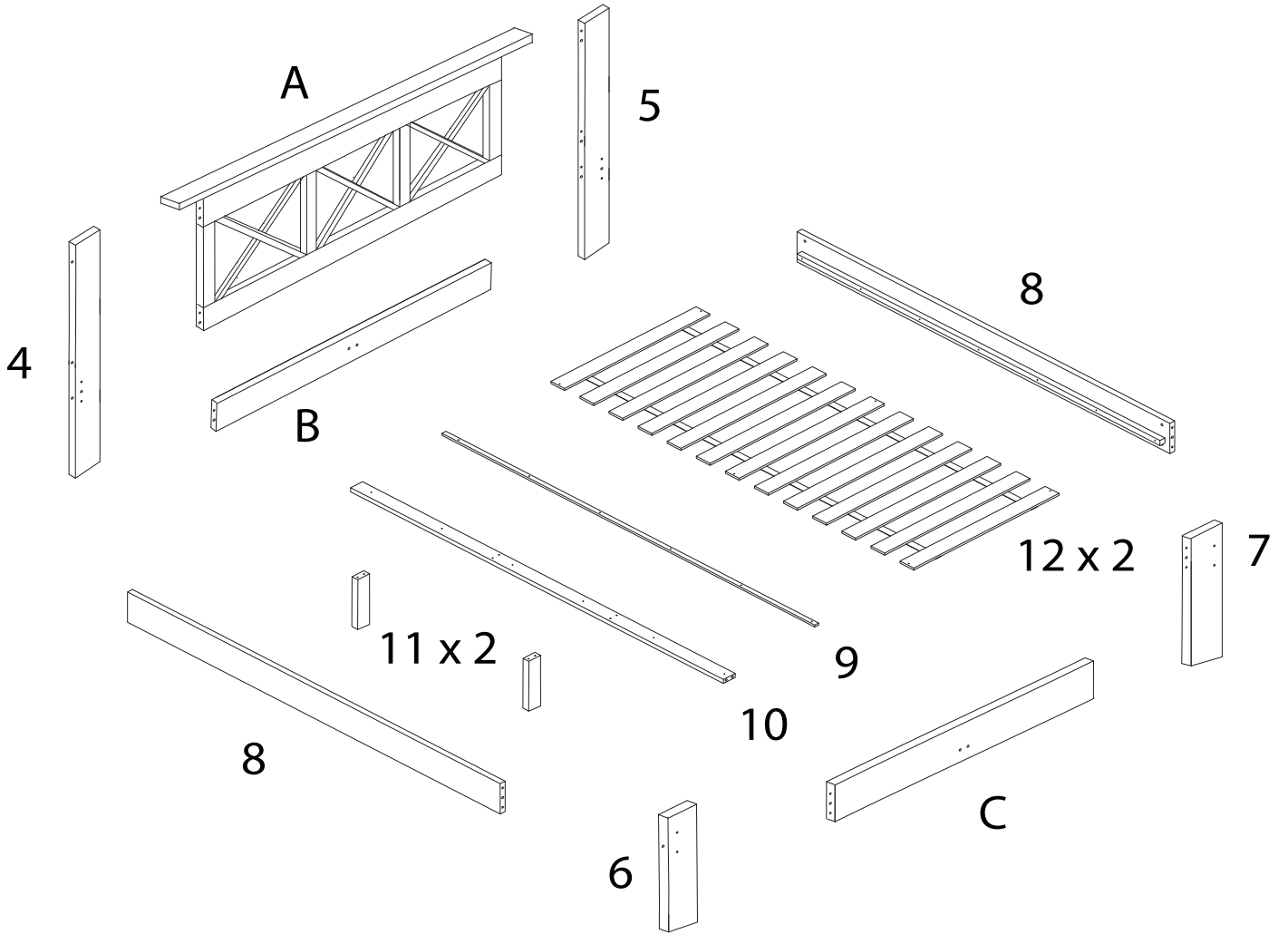
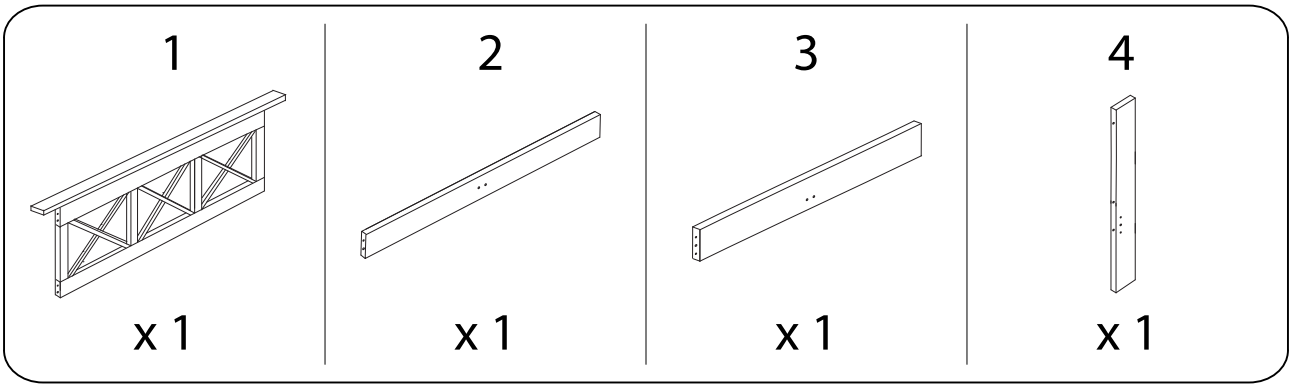
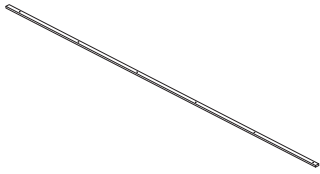


		45'
		2

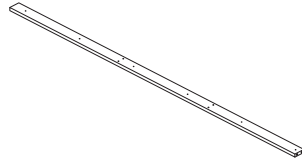


9



x 1

10



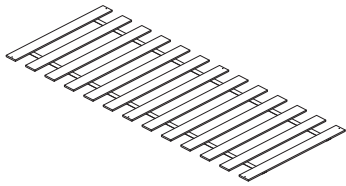
x 1

11



x 2

12



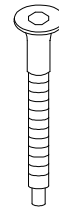
x 2

A



x 10

B



M6
x
110

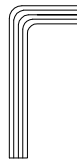
x 8

C



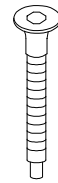
x 8

D



x 1

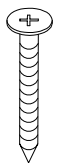
E



M7
x
50

x 6

F



M3.5
x
25

x 18

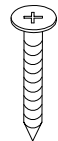
G



M8
x
12

x 8

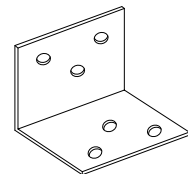
H



M3.5
x
16

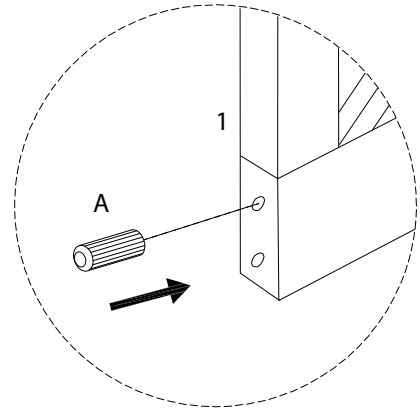
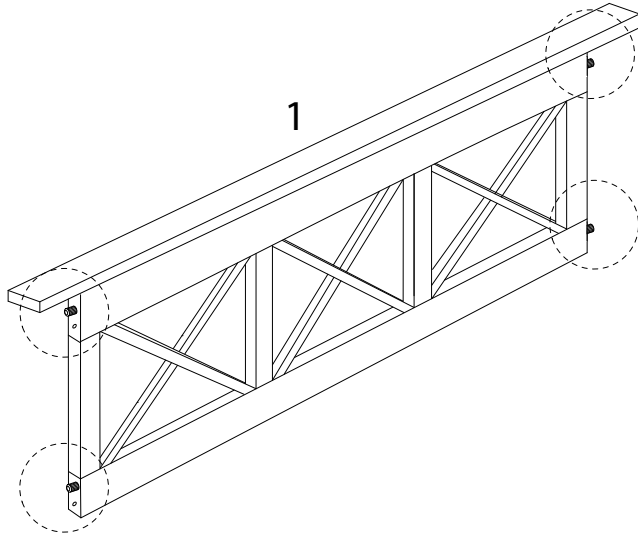
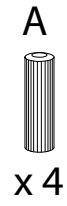
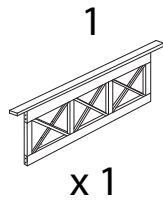
x 6

J

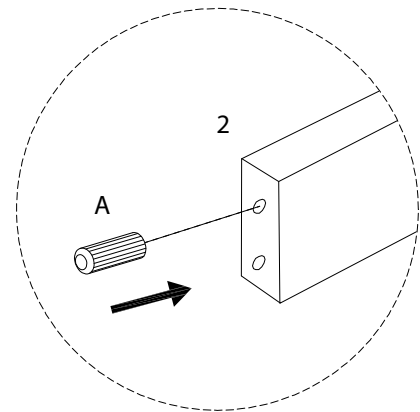
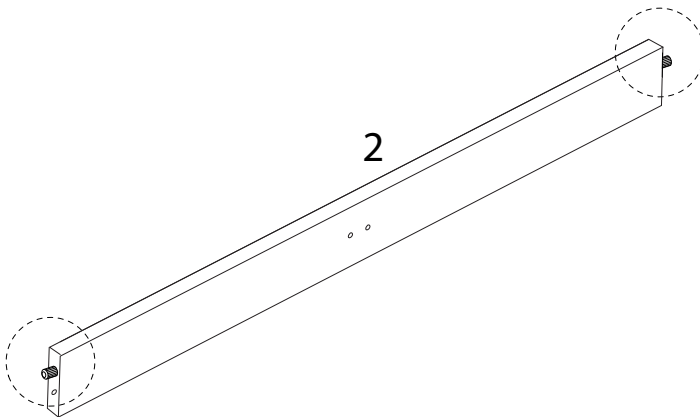
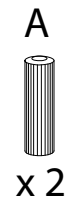
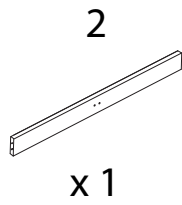


x 1

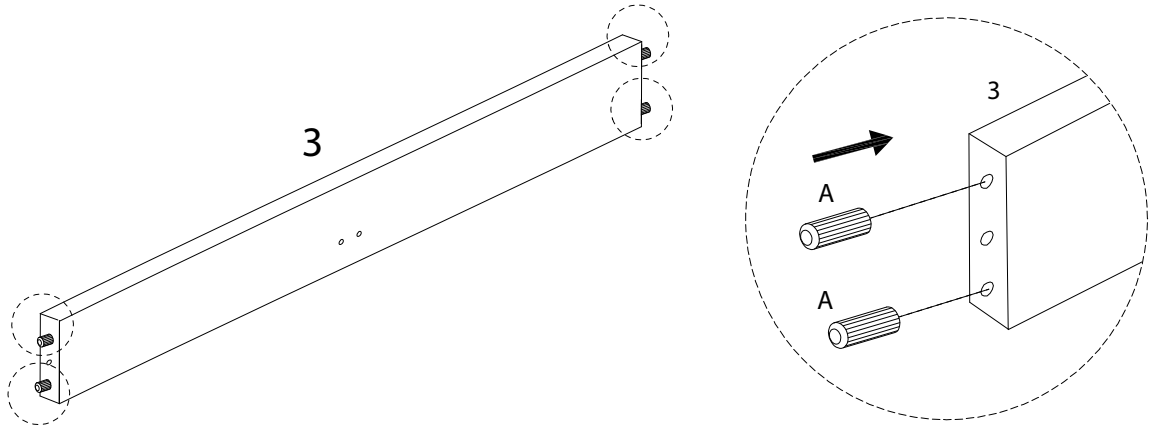
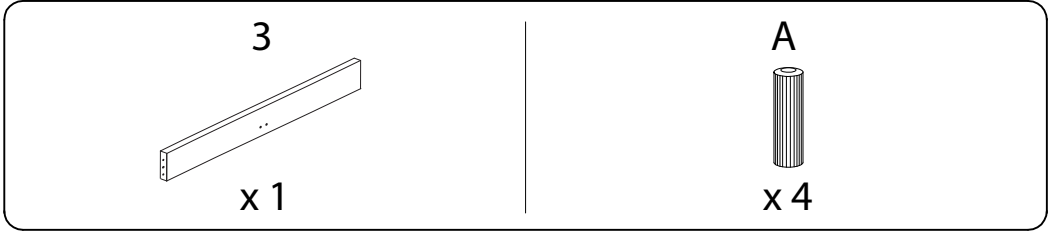
1



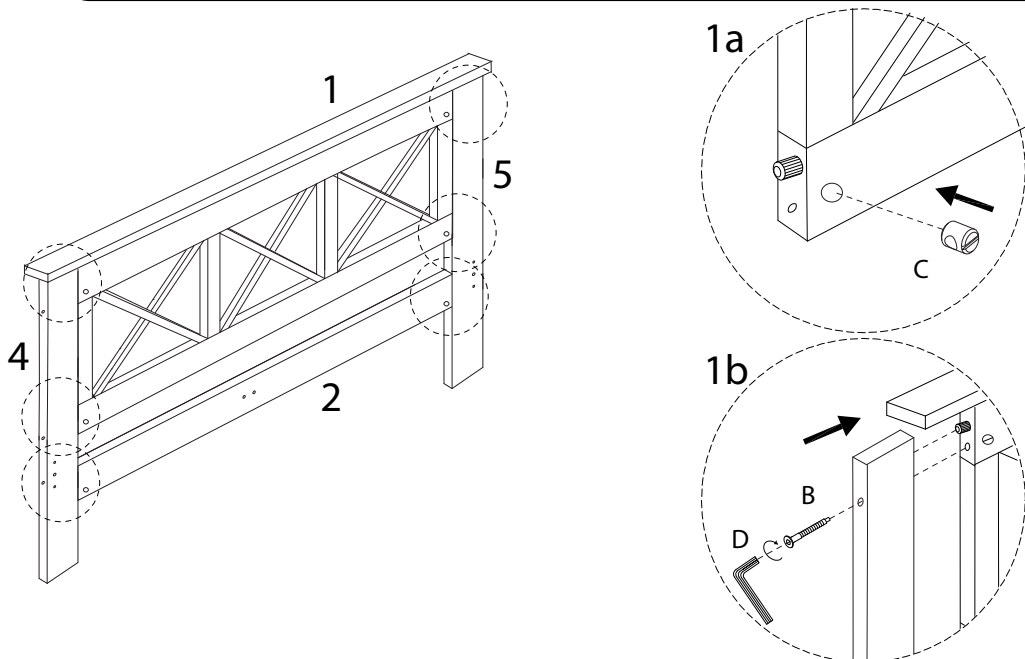
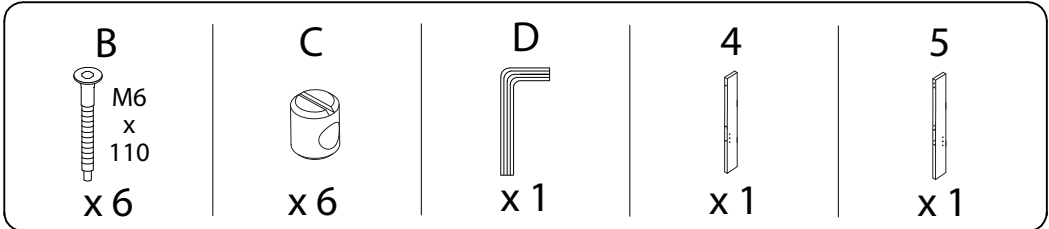
2



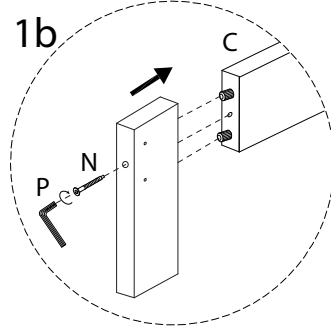
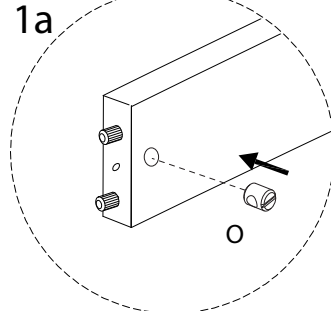
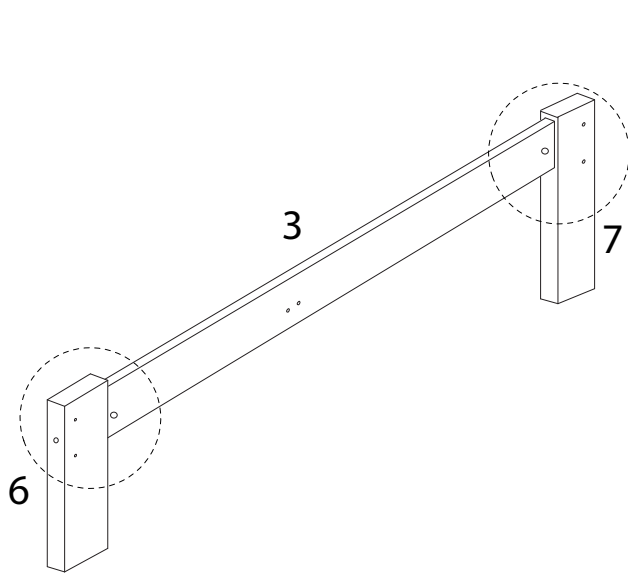
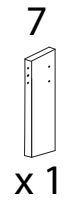
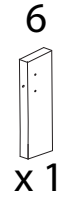
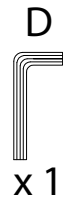
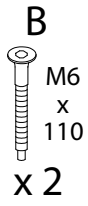
3



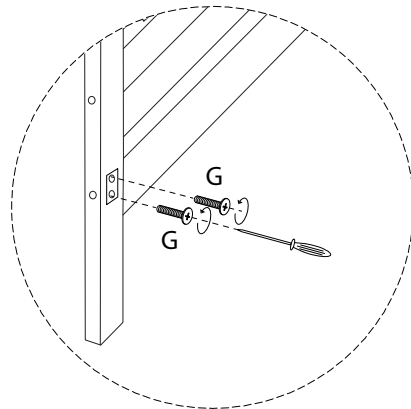
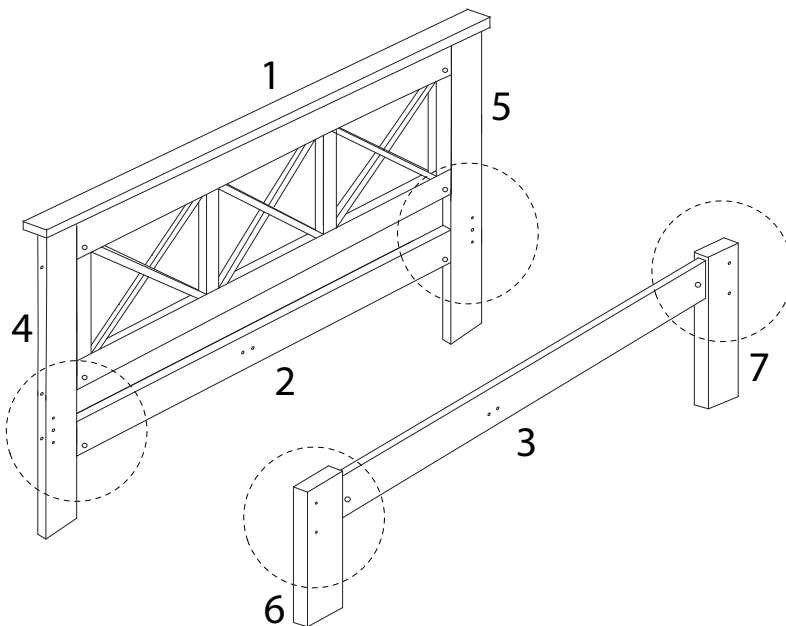
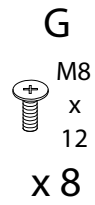
4



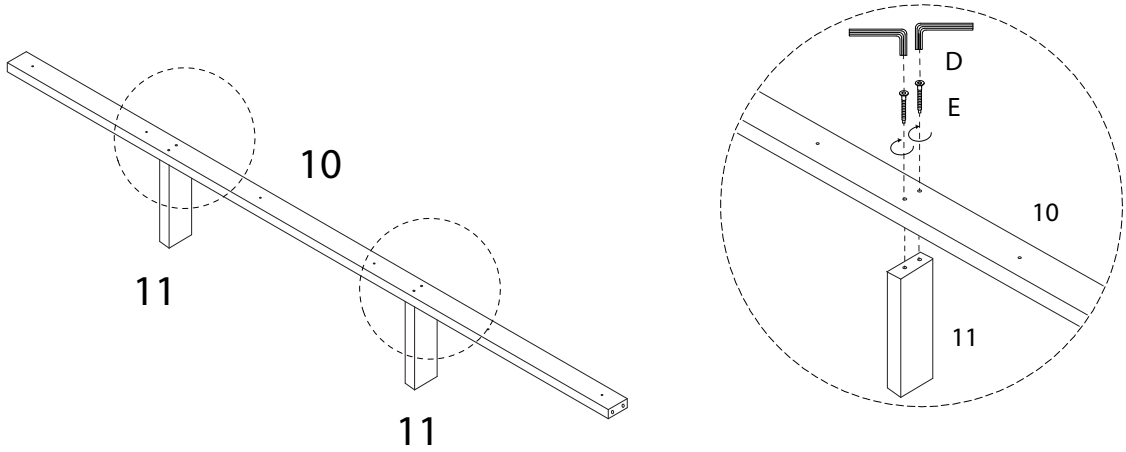
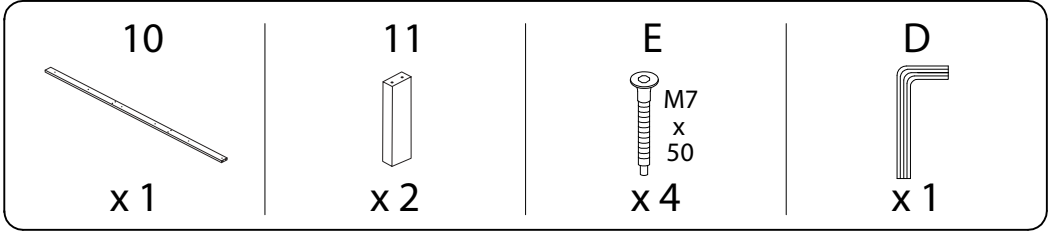
5



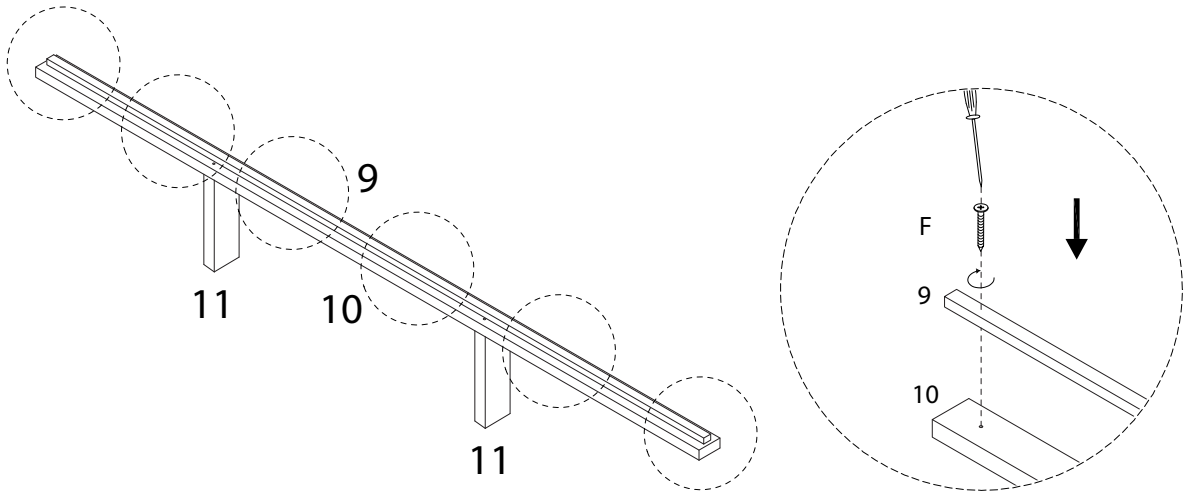
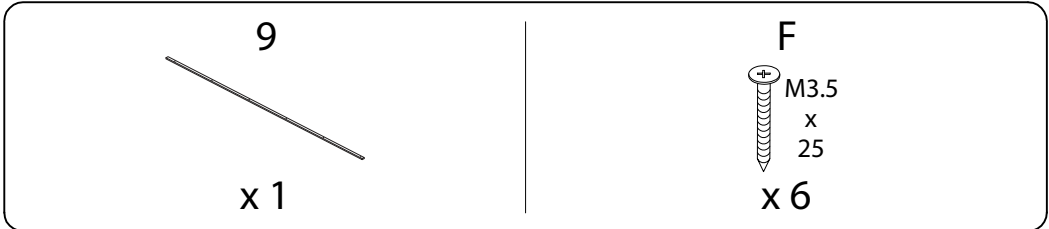
6



7



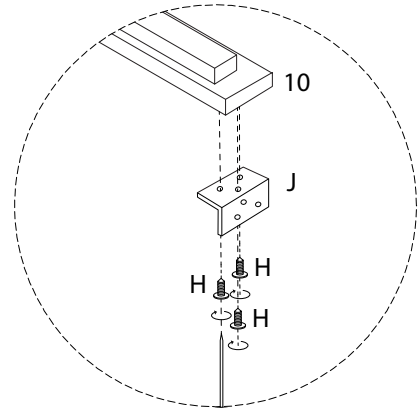
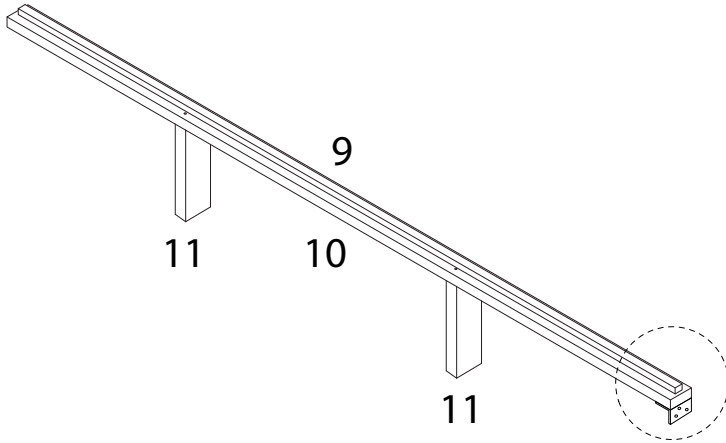
8



9

H
M3.5
x
16
x 3

J
x 1



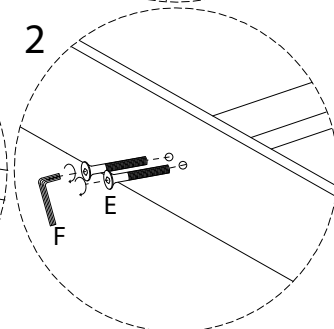
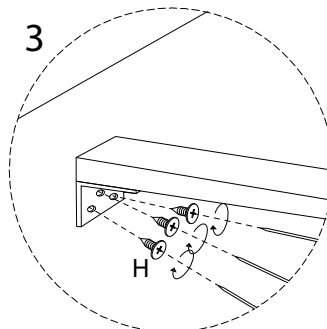
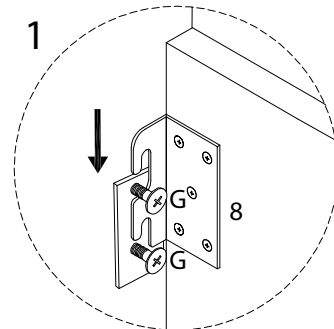
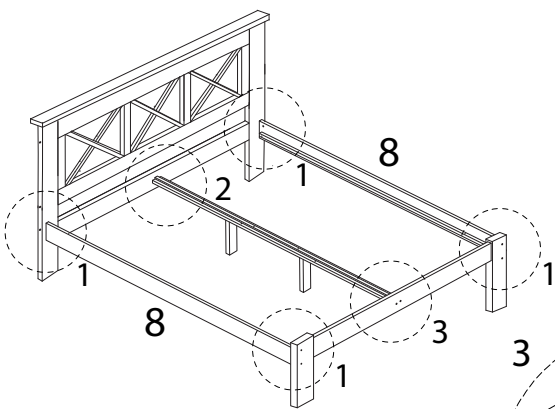
10

8
x 2

D
x 1

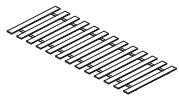
E
M7
x
50
x 2

H
M3.5
x
16
x 3



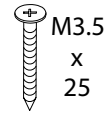
11

12



x 2

F



x 12

