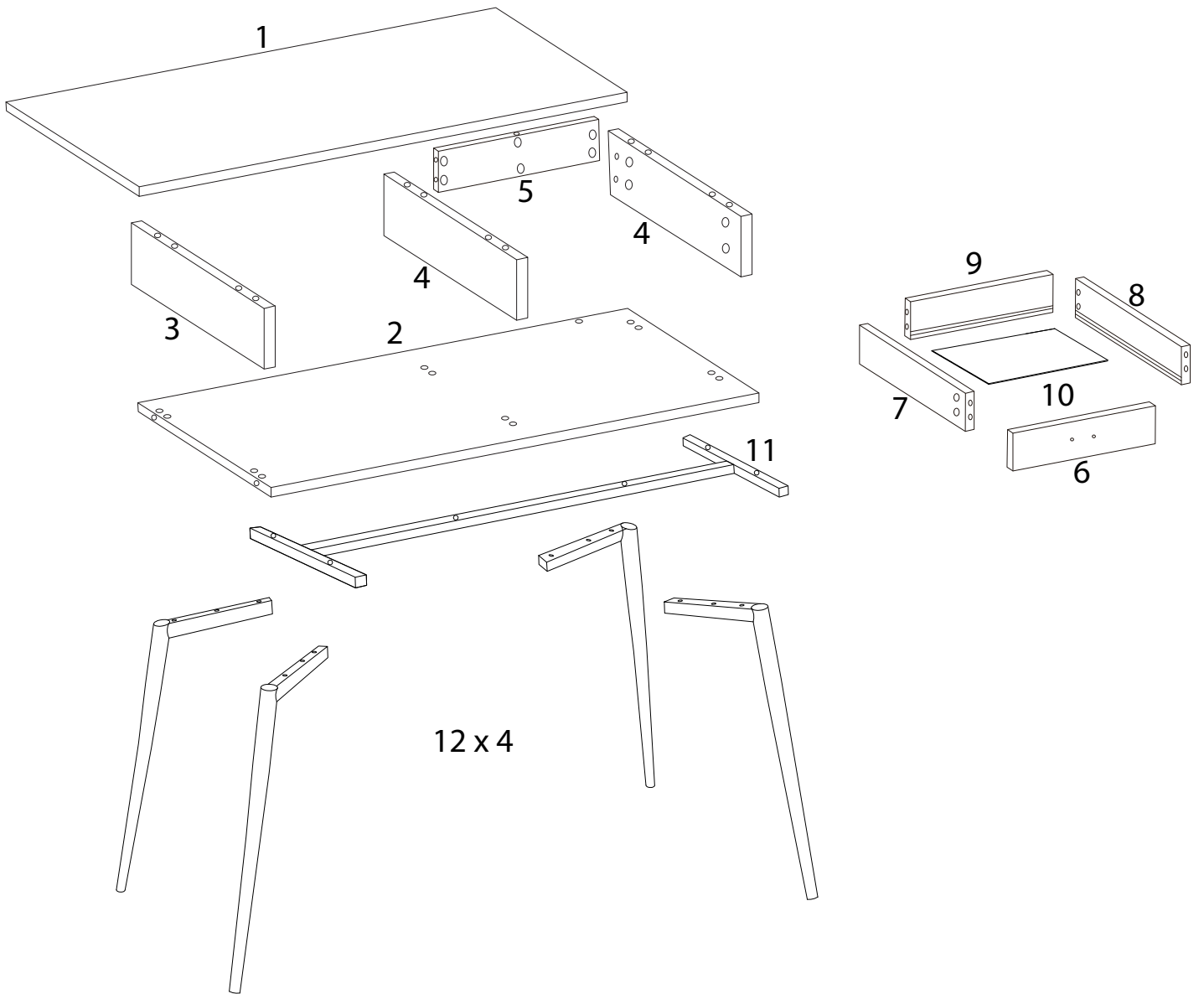
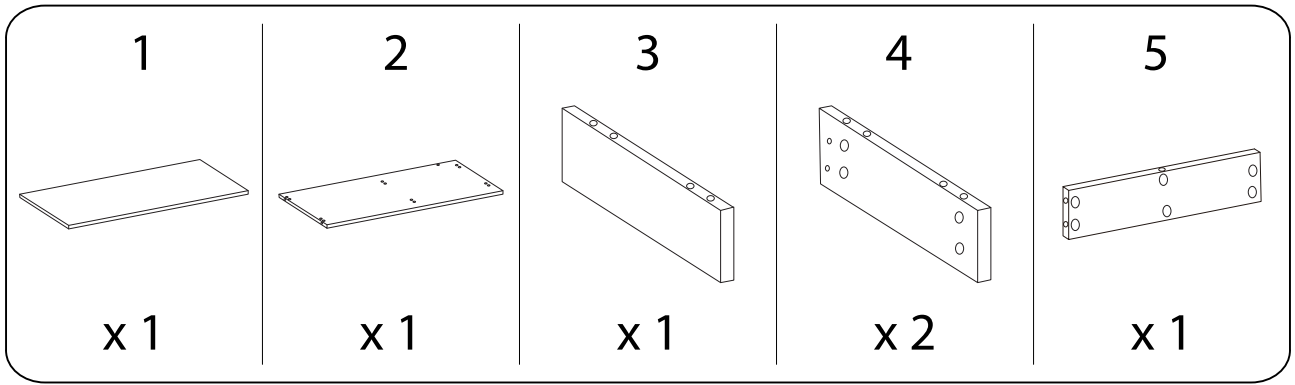
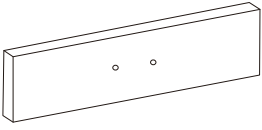
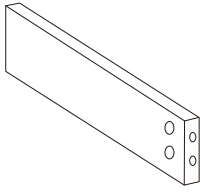
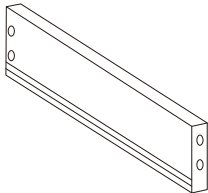
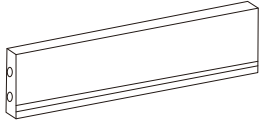
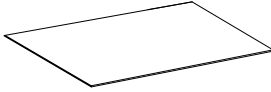

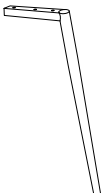
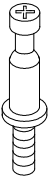
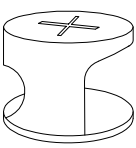
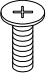

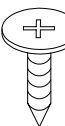
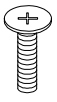


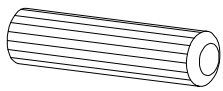


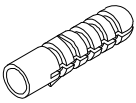
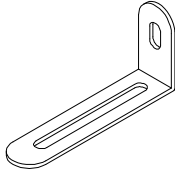




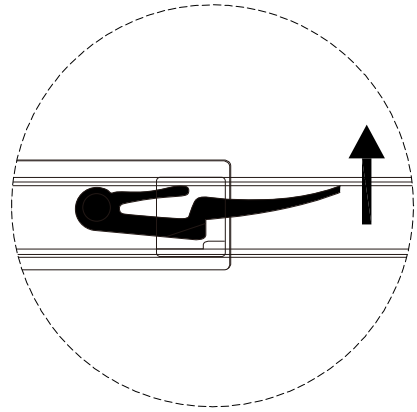
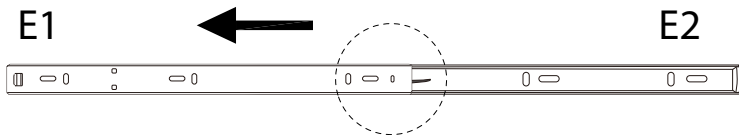
Assembly instructions for step 1/17:

- Tools:** A screwdriver is shown as the required tool. A power drill is shown with a diagonal line through it, indicating it is not to be used.
- Warning:** A warning triangle with an exclamation mark is positioned to the right of the tool icons.
- Time:** A clock icon is shown with the number "60'" below it, indicating a 60-minute assembly time.
- Person:** An icon of a person is shown with the number "1" below it, indicating that one person is required for assembly.
- Diagram:** A diagram shows a rectangular block being placed on a surface with a textured pattern. A second diagram shows the block being pushed down, with a diagonal line through it, indicating that the block should not be pushed down.

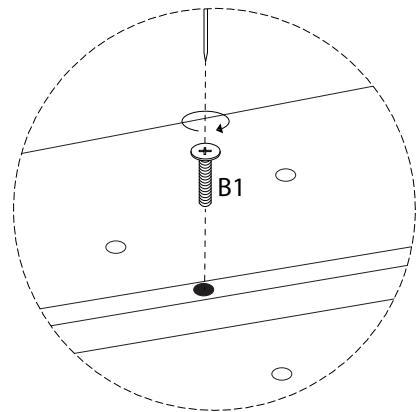
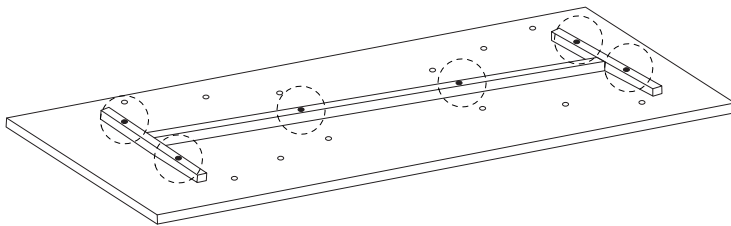
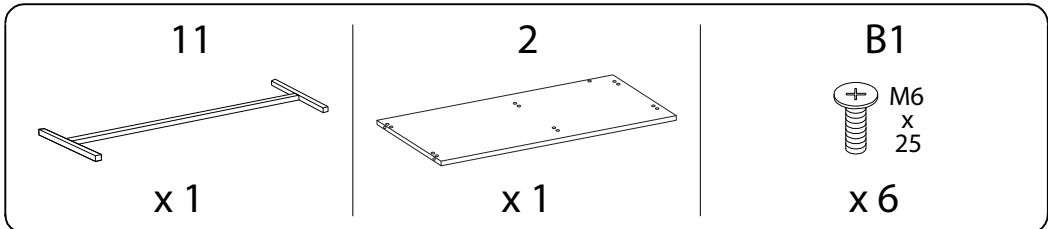


<p>6</p>  <p>x 1</p>	<p>7</p>  <p>x 1</p>	<p>8</p>  <p>x 1</p>	<p>9</p>  <p>x 1</p>
<p>10</p>  <p>x 1</p>	<p>11</p>  <p>x 1</p>	<p>12</p>  <p>x 4</p>	<p>A1</p>  <p>x 26</p>
<p>A2</p>  <p>x 26</p>	<p>B1</p>  <p>M6 x 25</p> <p>x 18</p>	<p>B2</p>  <p>M6 x 40</p> <p>x 4</p>	<p>C</p>  <p>ST3.5 x 14</p> <p>x 12</p>
<p>D</p>  <p>M4 x 18</p> <p>x 2</p>	<p>E1</p>  <p>x 2</p>	<p>E2</p>  <p>x 2</p>	<p>F</p>  <p>x 12</p>
<p>G</p>  <p>x 1</p>	<p>H</p>  <p>ST4 x 25</p> <p>x 2</p>	<p>I</p>  <p>x 2</p>	<p>J</p>  <p>x 2</p>

!



1



2

12

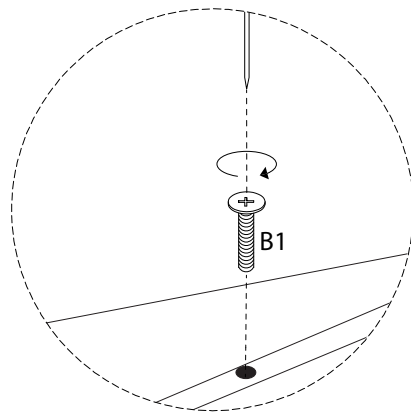
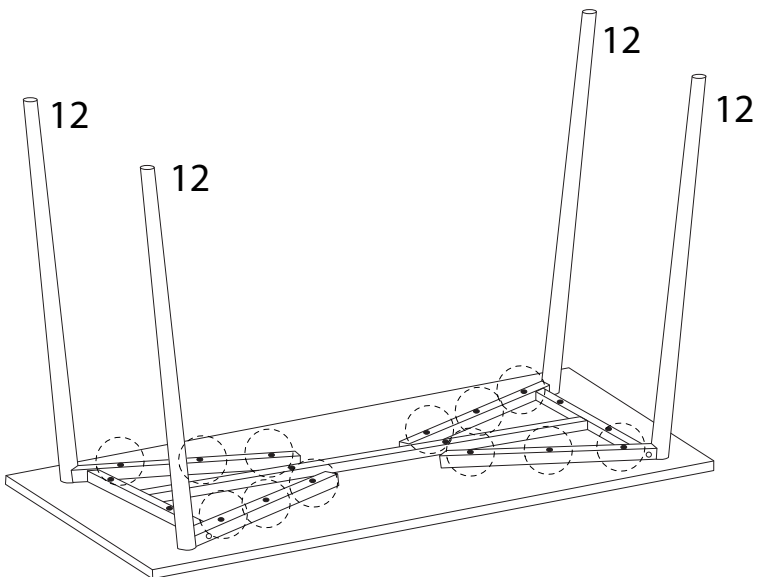


x 4

B1

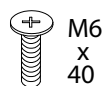


x 12

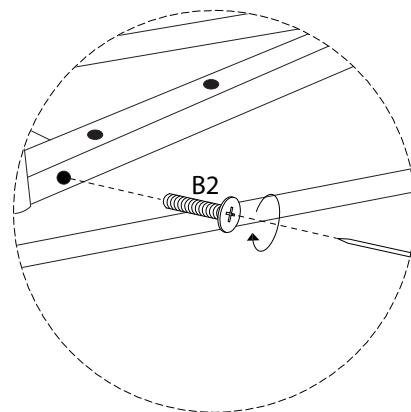
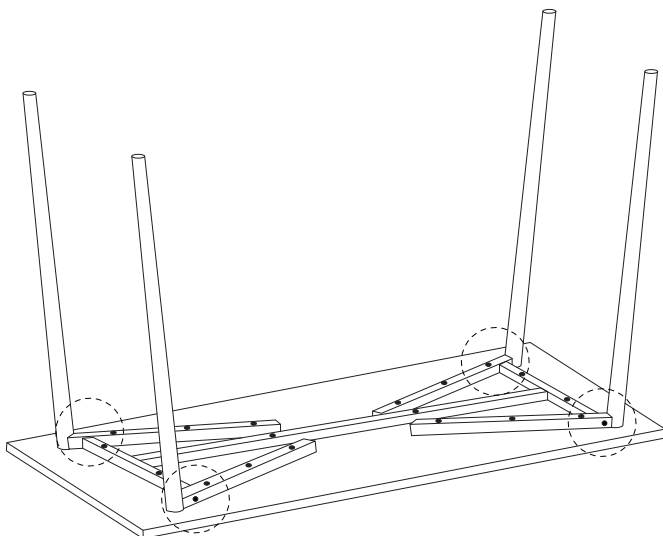


3

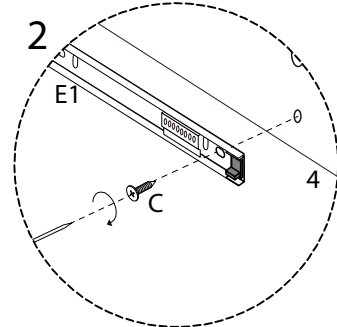
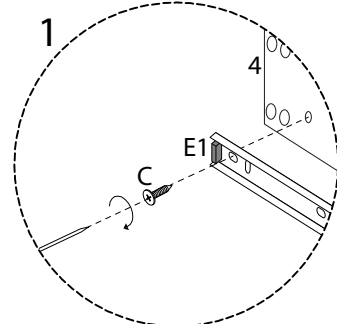
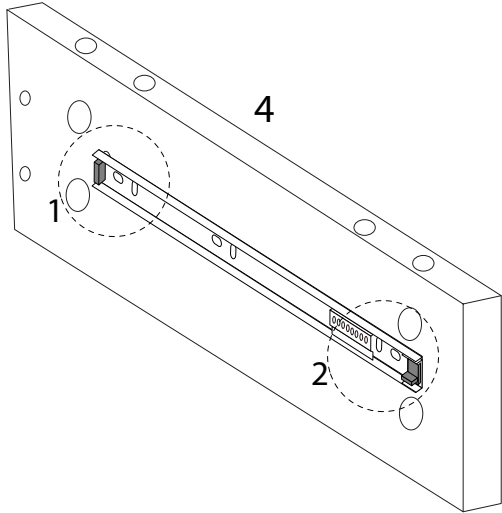
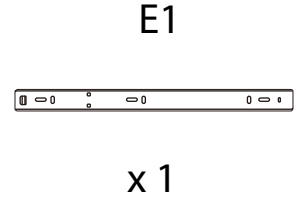
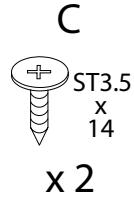
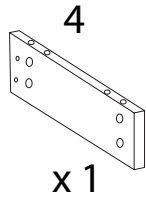
B2



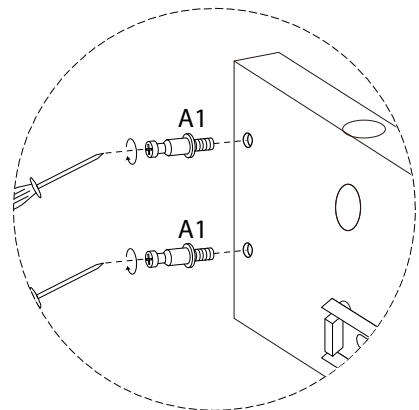
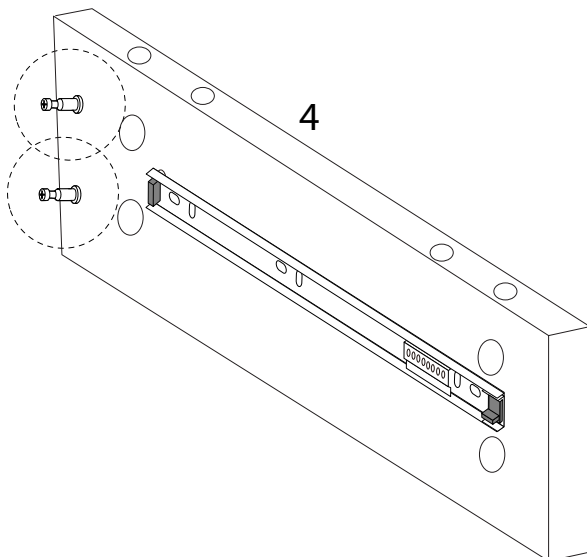
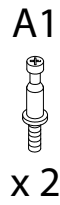
x 4



4 x 2



5 x 2

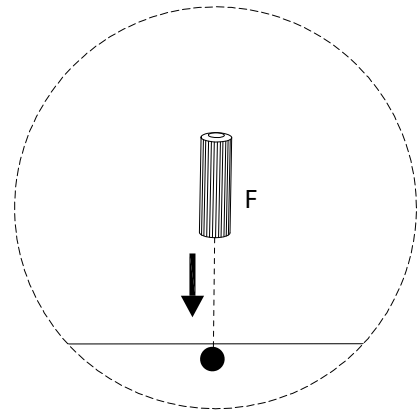
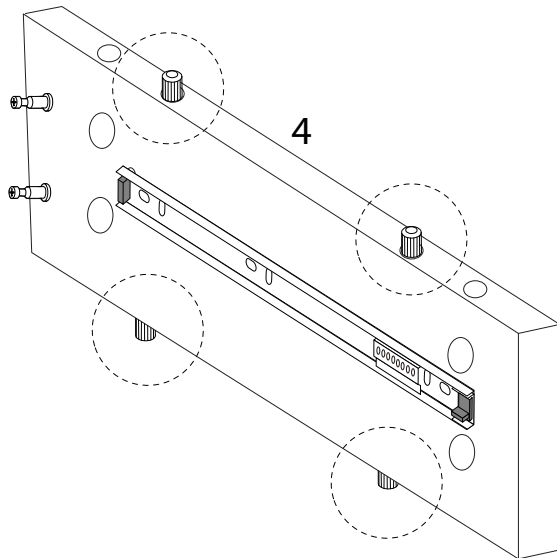


6 x 2

F

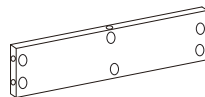


x 4

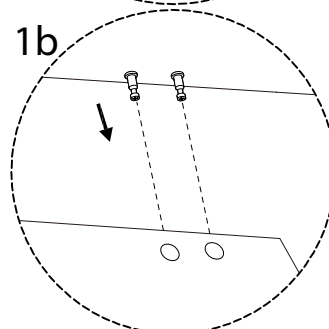
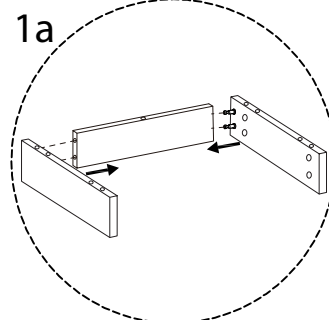
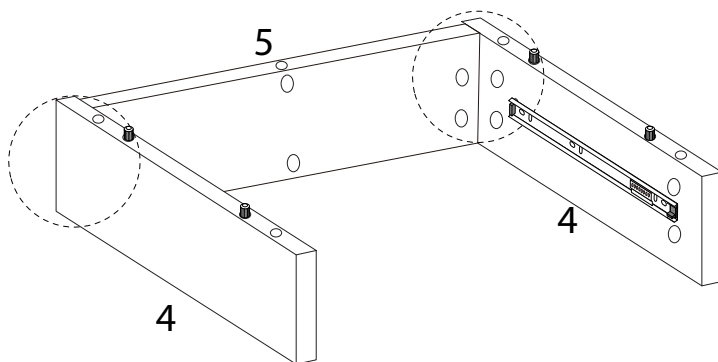


7

5



x 1

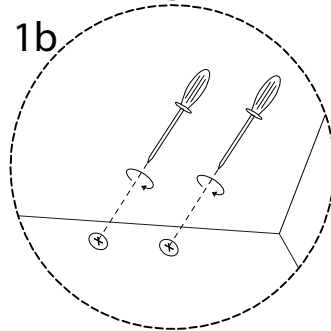
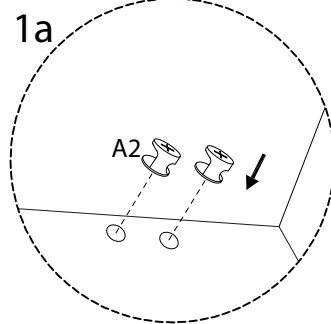
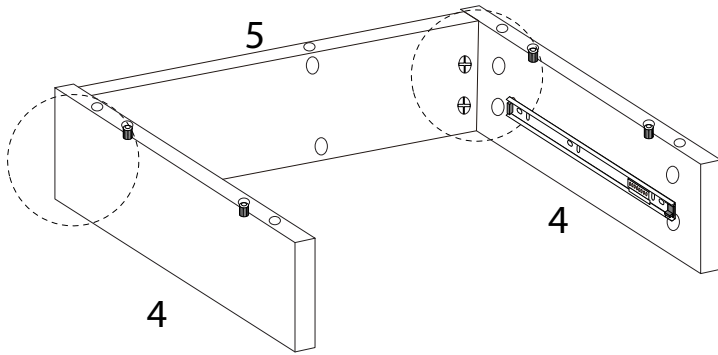


8

A2



x 4

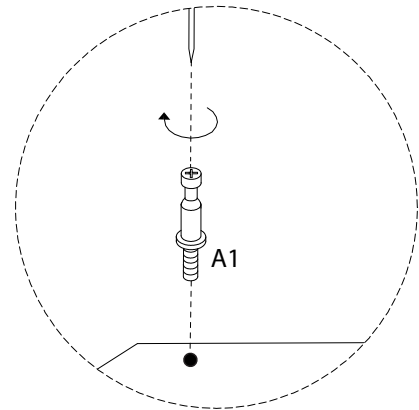
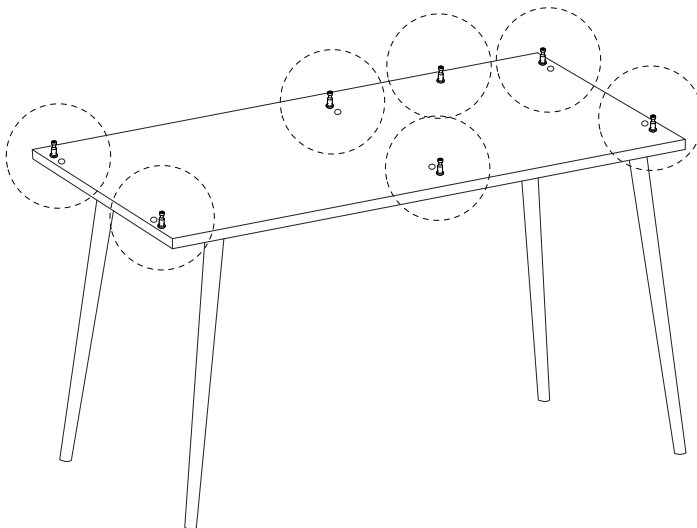


9

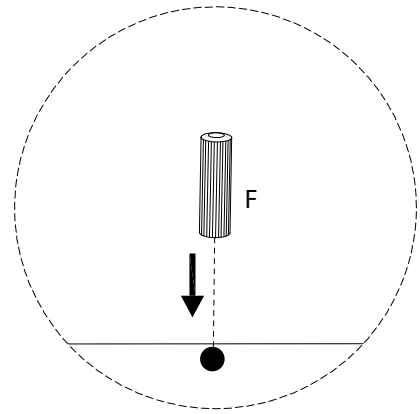
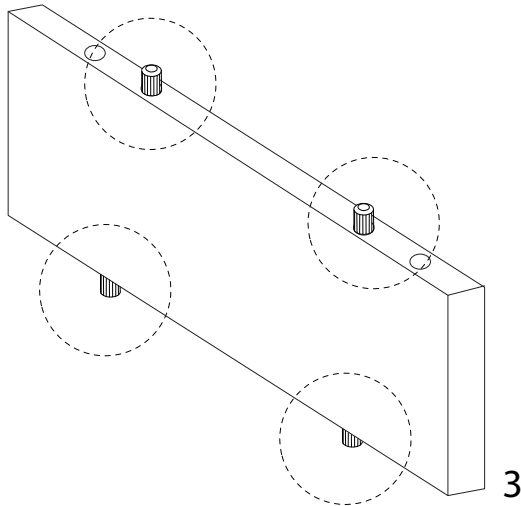
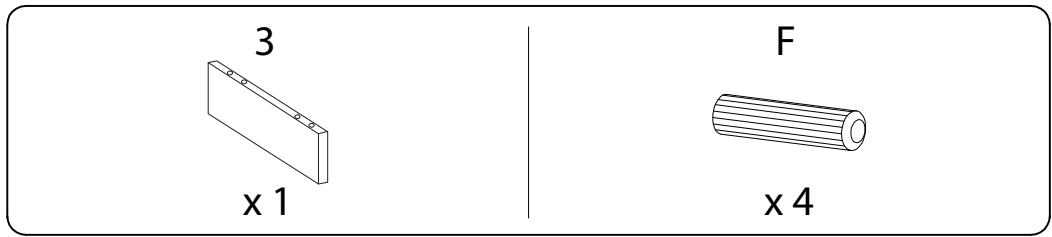
A1



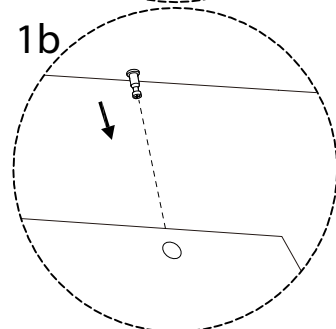
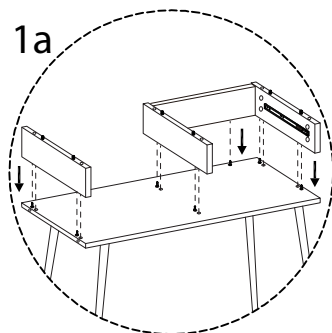
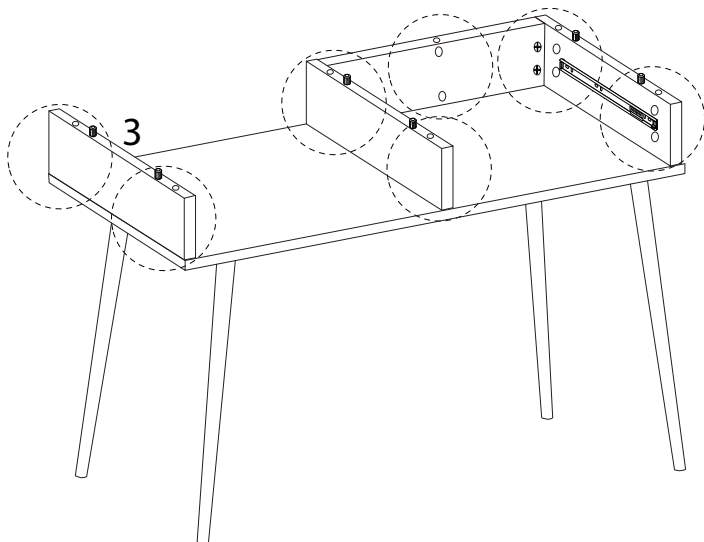
x 7



10



11

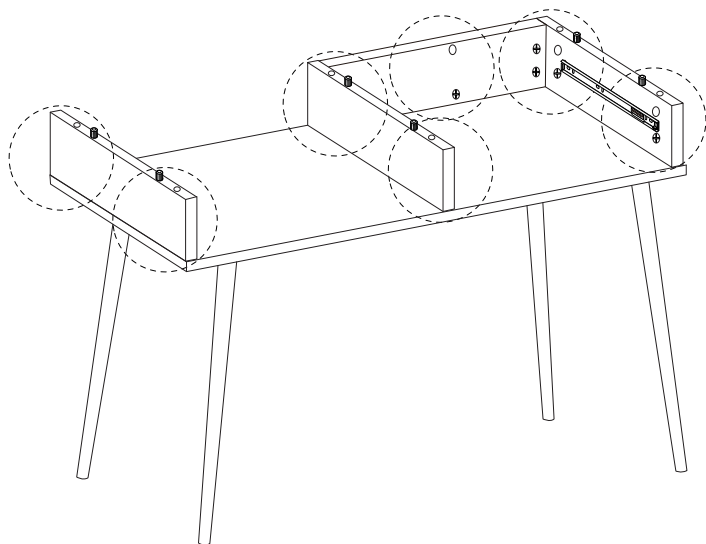


12

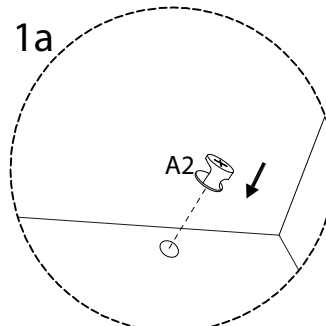
A2



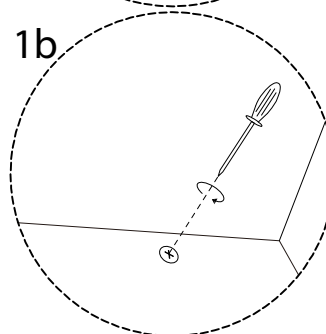
x 7



1a

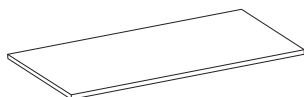


1b



13

1

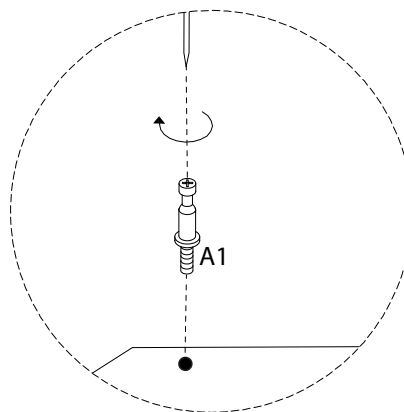
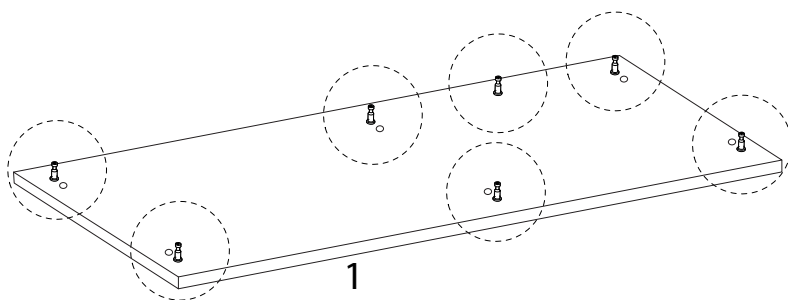


x 1

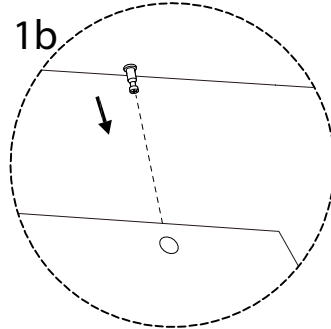
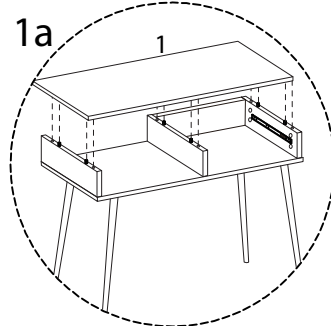
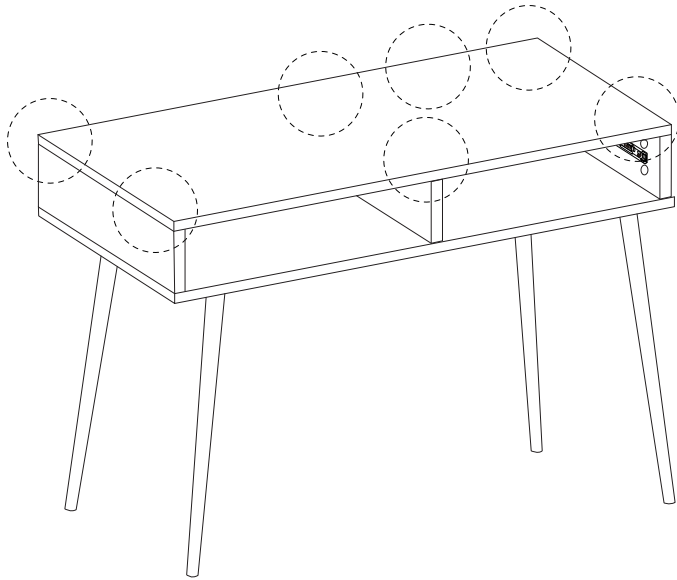
A1



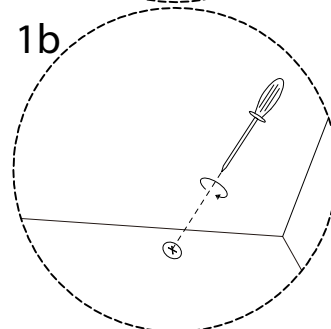
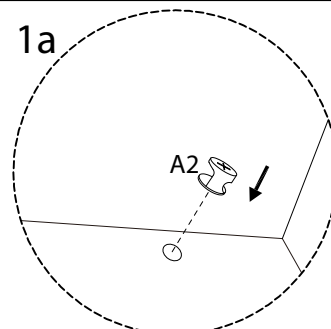
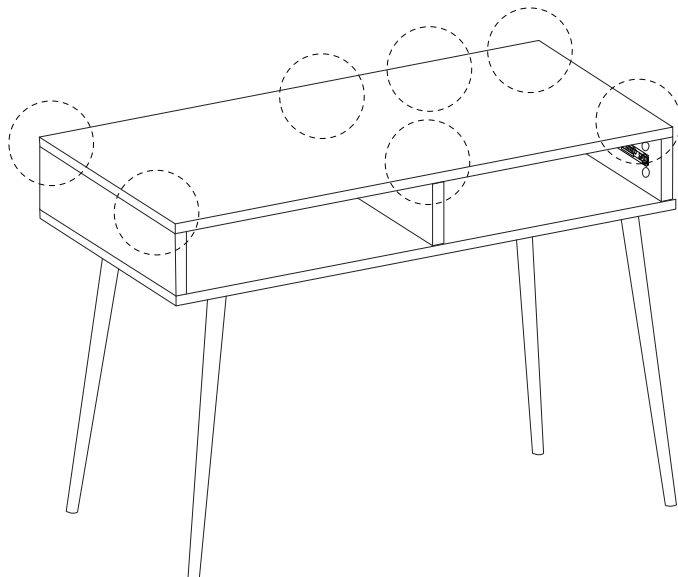
x 7



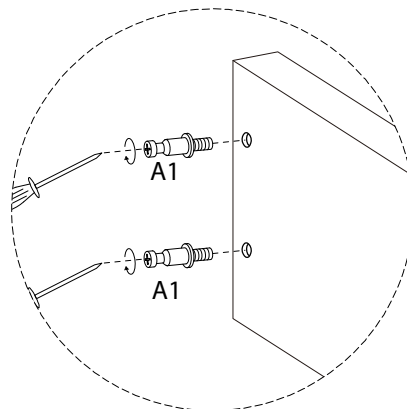
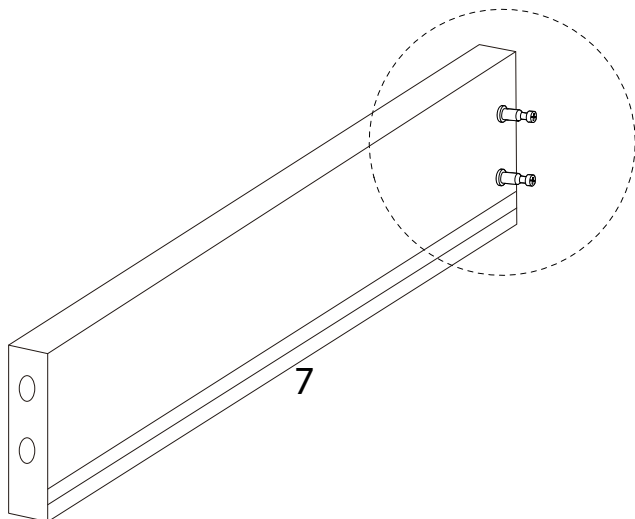
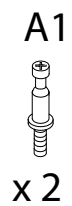
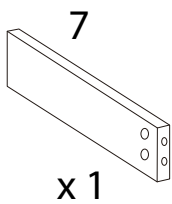
14



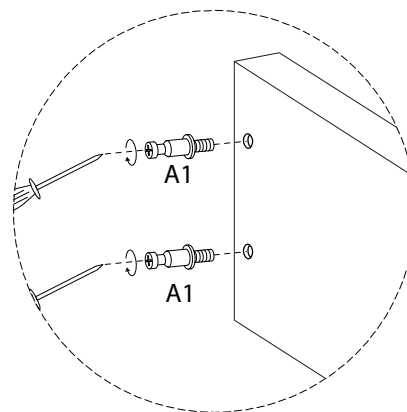
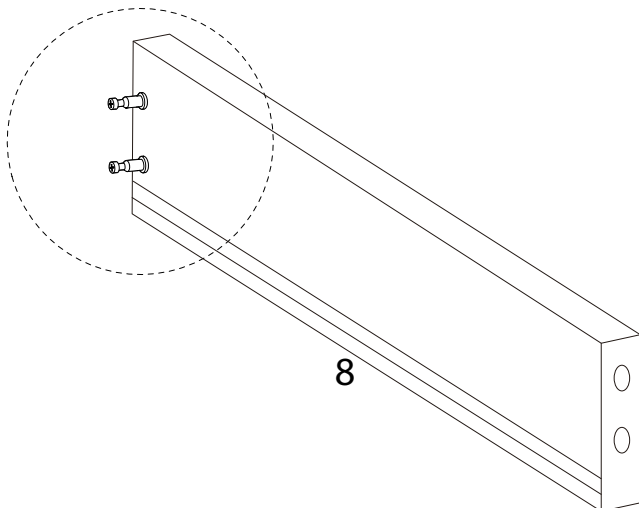
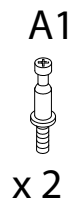
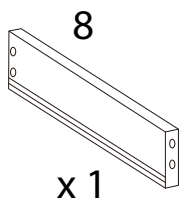
15



16



17

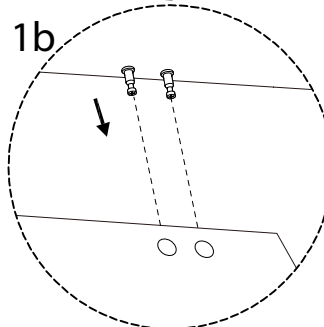
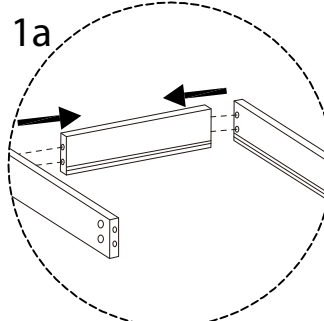
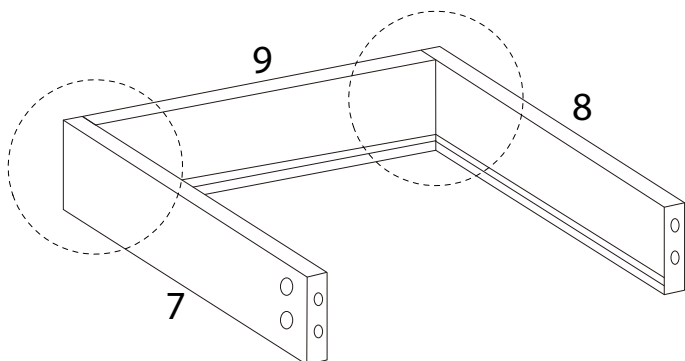


18

9



x 1

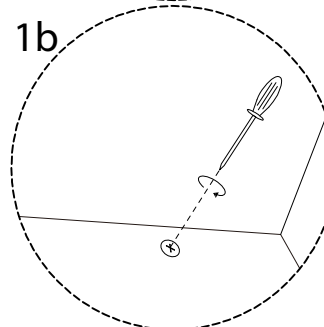
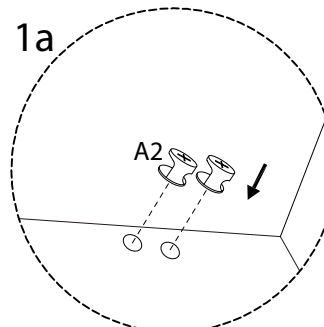
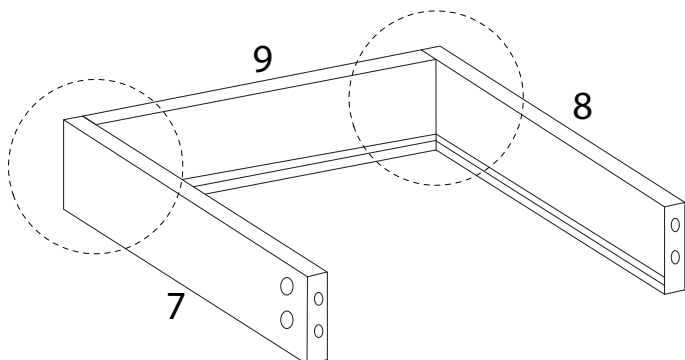


19

A2

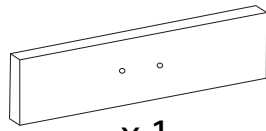


x 4



20

6

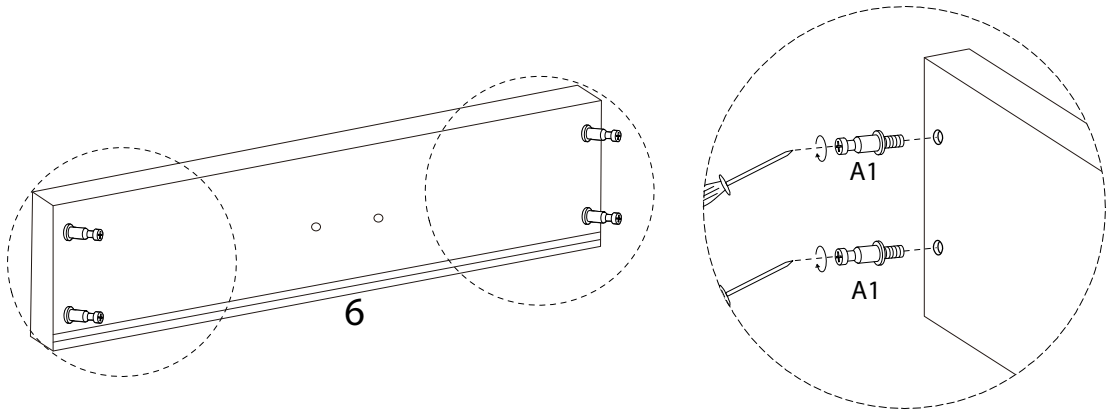


x 1

A1

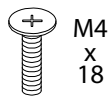


x 4



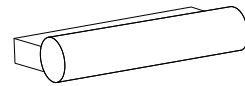
21

D

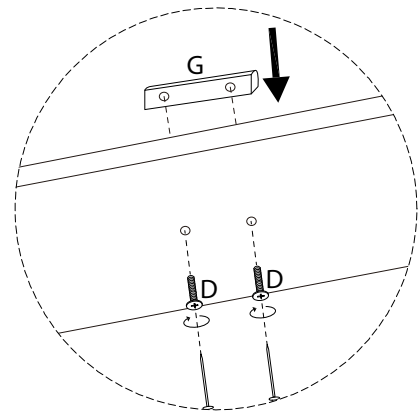
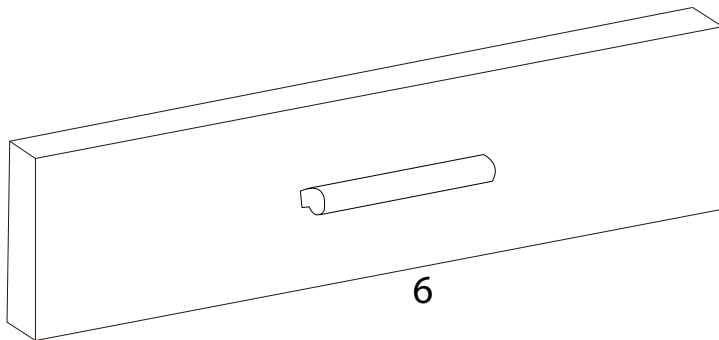


x 2

G

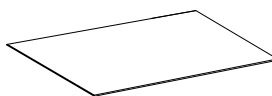


x 1

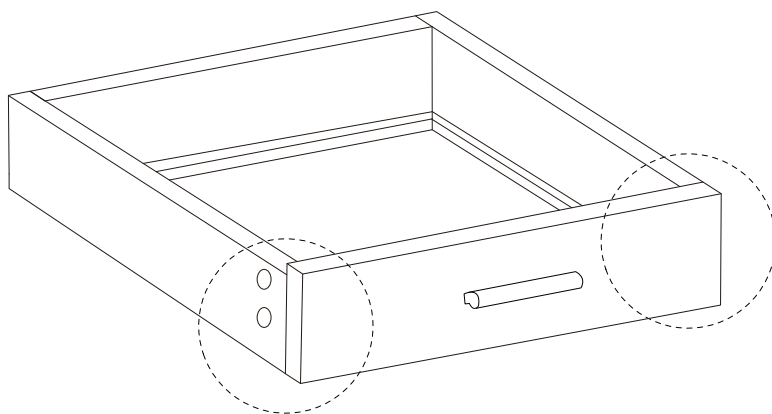


22

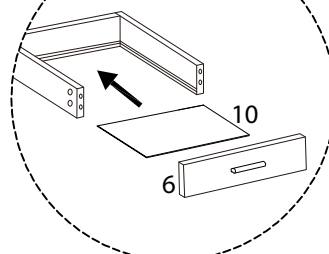
10



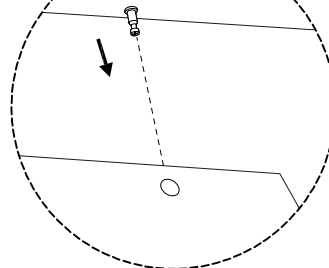
x 1



1a



1b

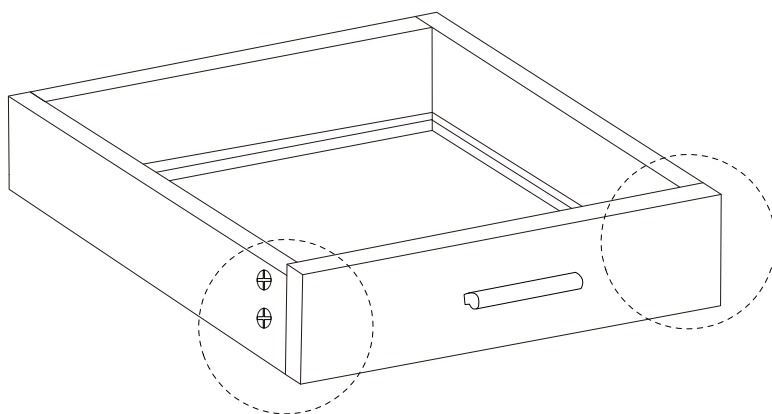


23

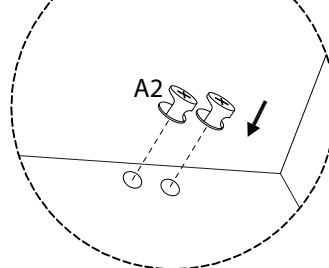
A2



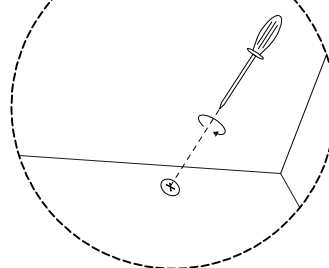
x 4



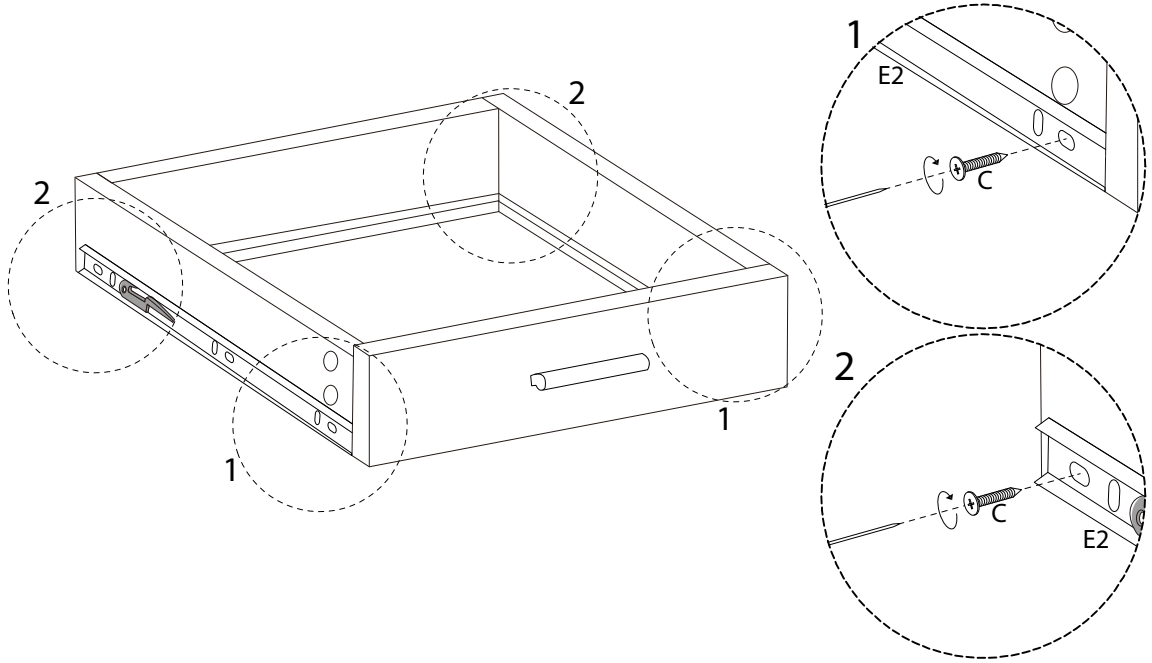
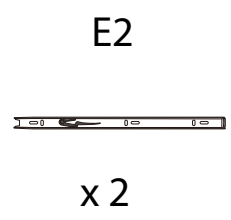
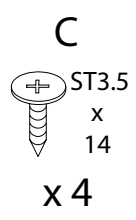
1a



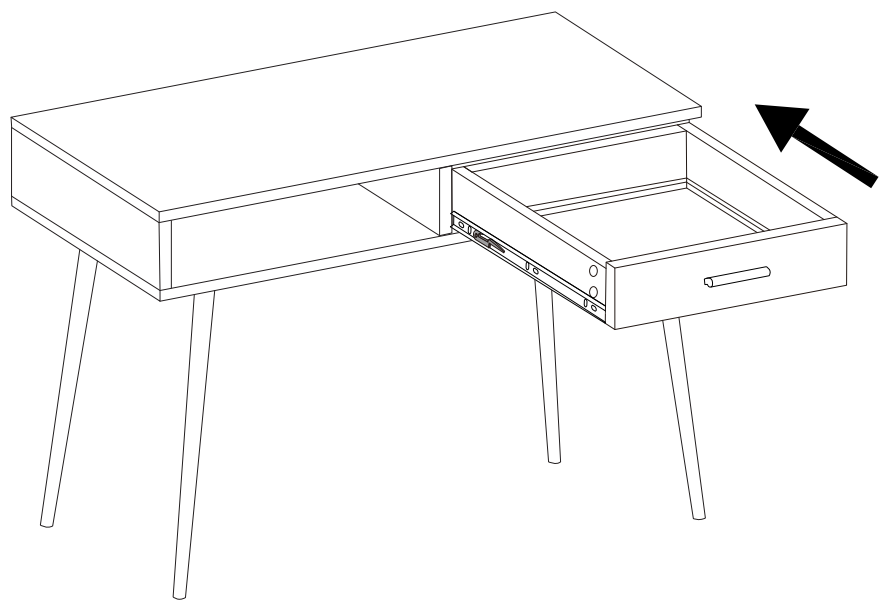
1b



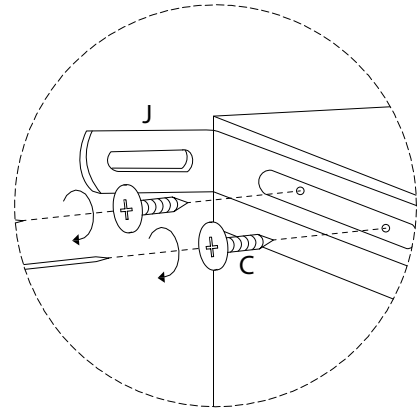
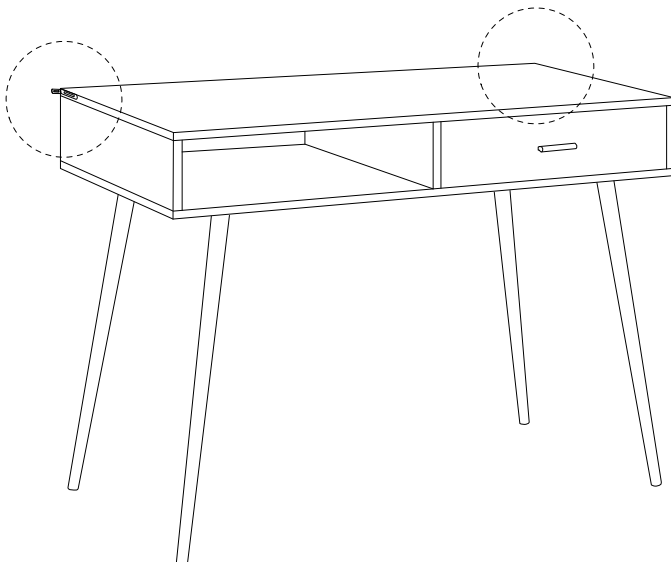
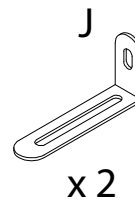
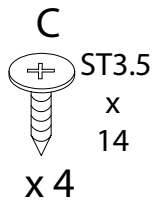
24



25



26



27

