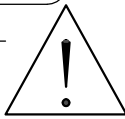
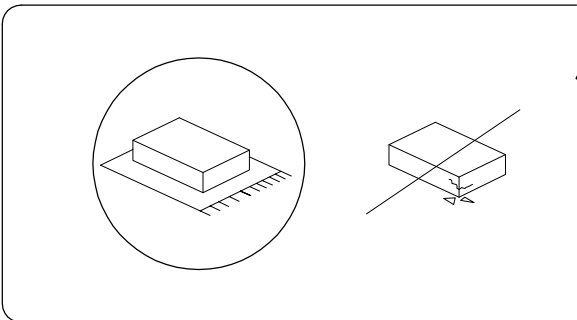
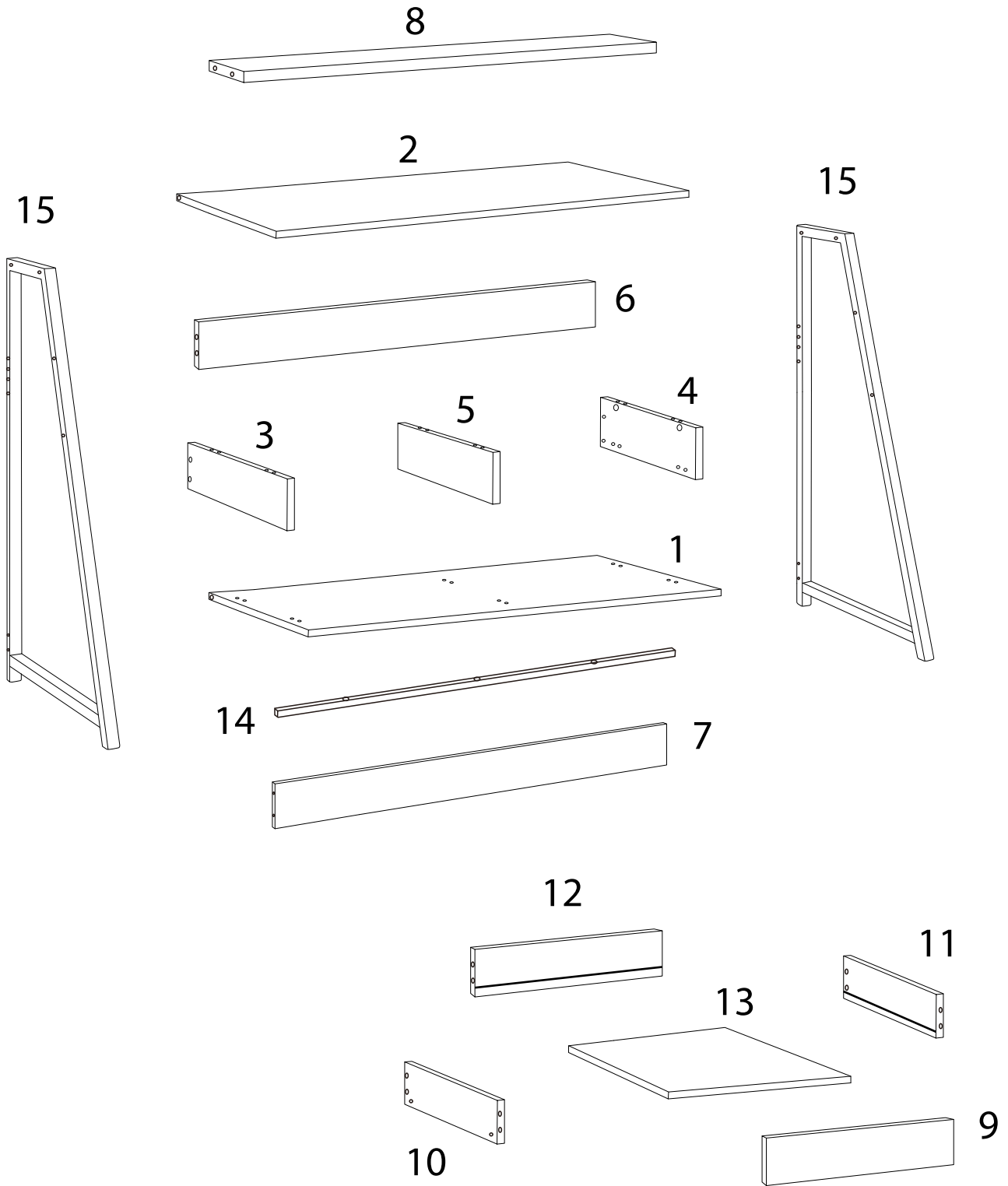
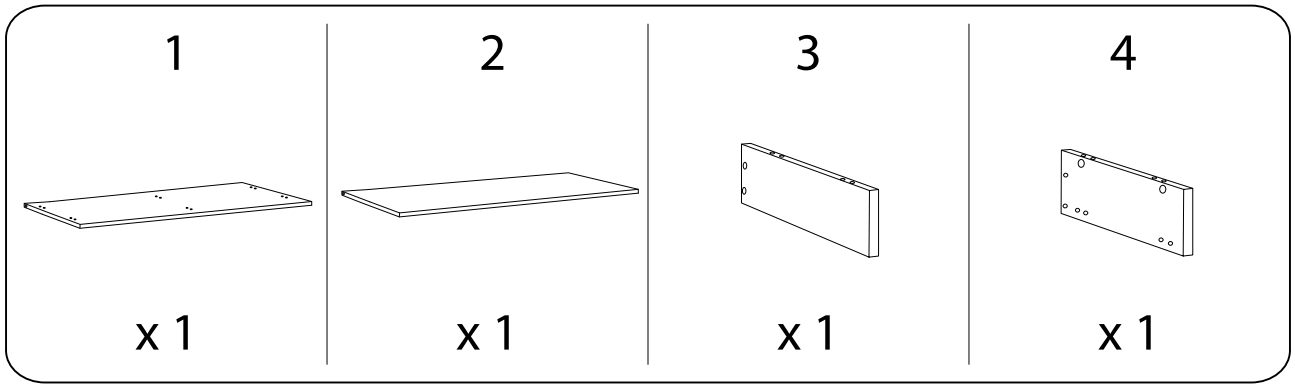
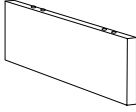



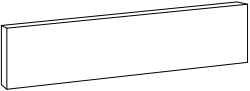
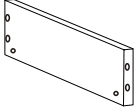
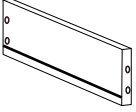




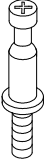
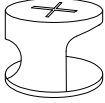
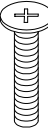
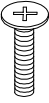
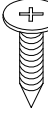
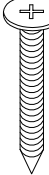
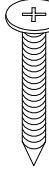
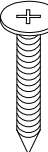

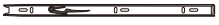




60'

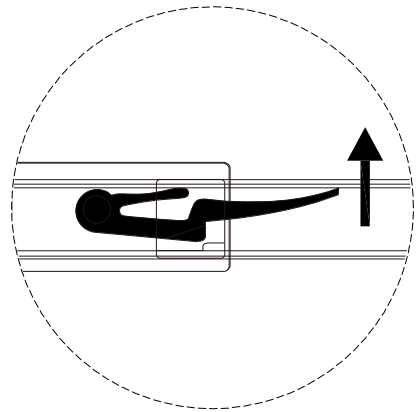
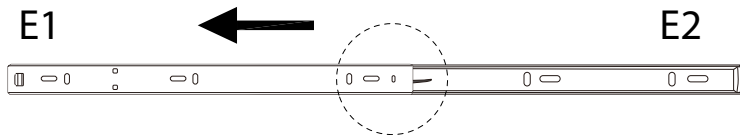


1

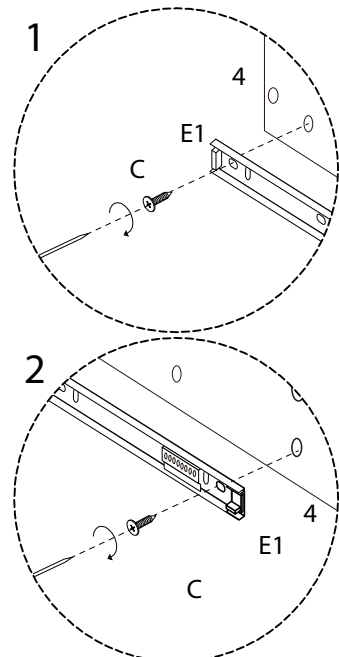
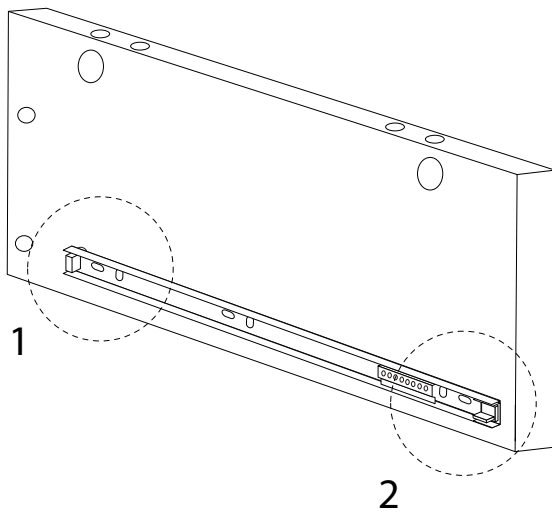
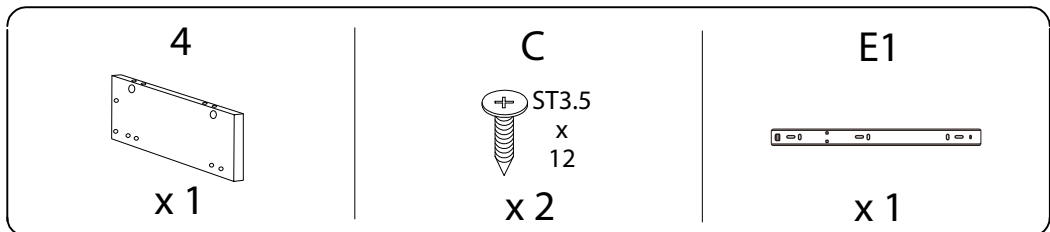


<p>5</p>  <p>x 1</p>	<p>6</p>  <p>x 1</p>	<p>7</p>  <p>x 1</p>	<p>8</p>  <p>x 1</p>	
<p>9</p>  <p>x 1</p>	<p>10</p>  <p>x 1</p>	<p>11</p>  <p>x 1</p>	<p>12</p>  <p>x 1</p>	
<p>13</p>  <p>x 1</p>	<p>14</p>  <p>x 1</p>	<p>15</p>  <p>x 2</p>	<p>A1</p>  <p>x 12</p>	<p>A2</p>  <p>x 12</p>
<p>B1</p>  <p>M6 x 35</p> <p>x 2</p>	<p>B2</p>  <p>M6 x 30</p> <p>x 3</p>	<p>C</p>  <p>ST3.5 x 12</p> <p>x 10</p>	<p>D1</p>  <p>ST5 x 70</p> <p>x 4</p>	<p>D2</p>  <p>ST5 x 60</p> <p>x 14</p>
<p>D3</p>  <p>ST5 x 50</p> <p>x 12</p>	<p>E1</p>  <p>x 2</p>	<p>E2</p>  <p>x 2</p>	<p>F</p>  <p>x 12</p>	<p>G</p>  <p>x 1</p>

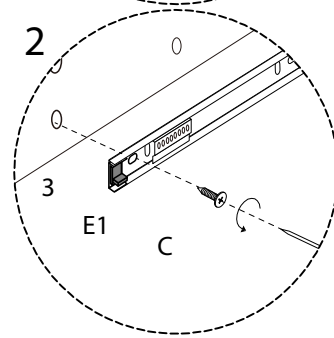
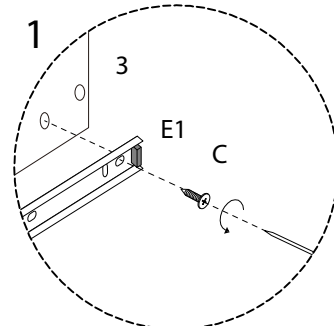
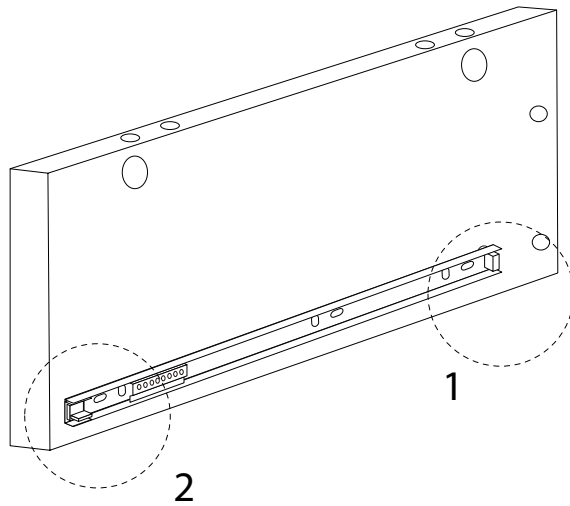
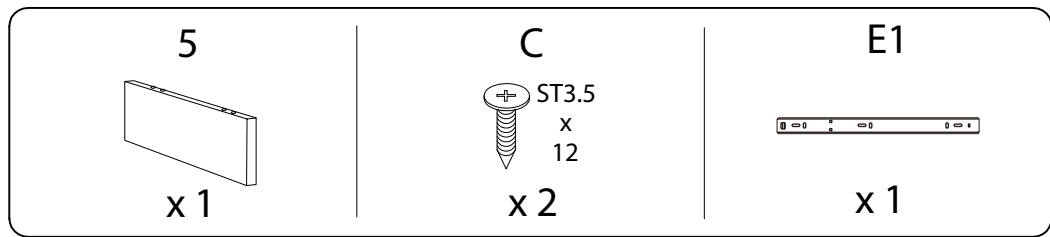
!



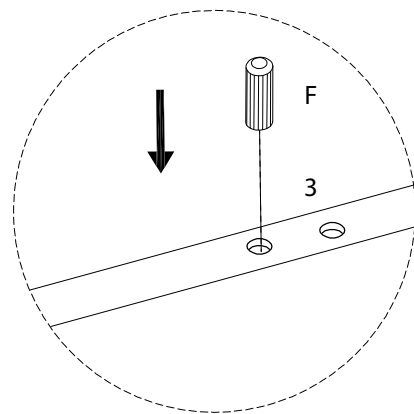
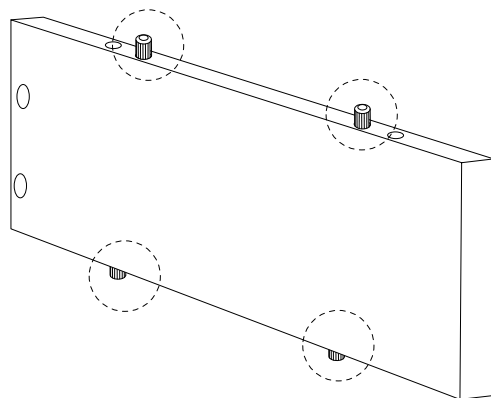
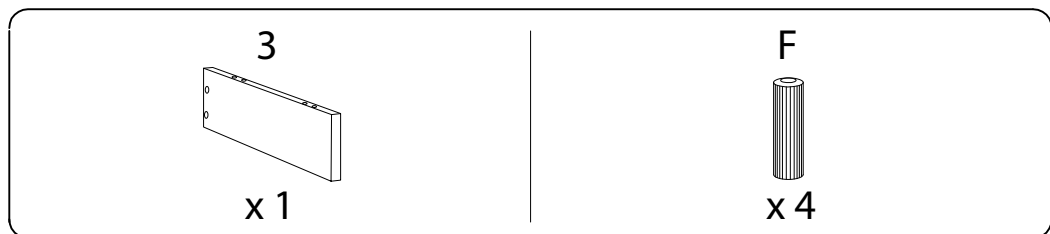
1



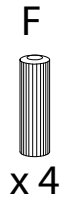
2



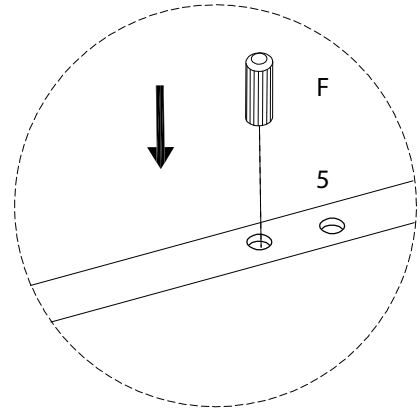
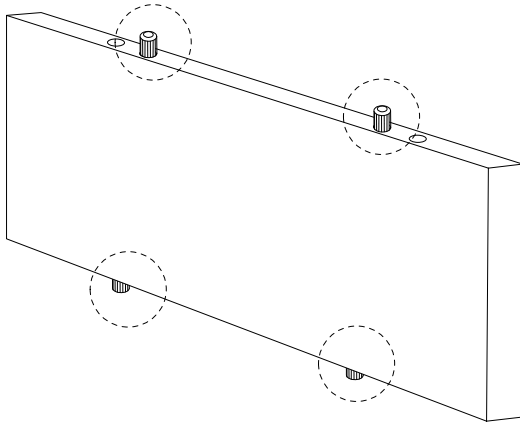
3



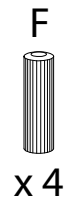
4



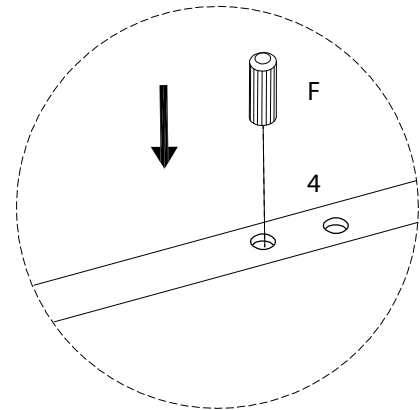
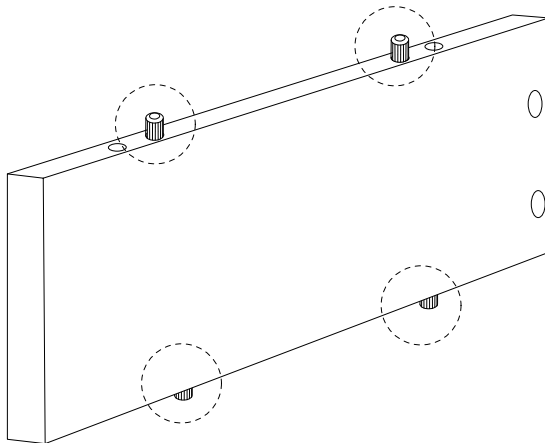
5



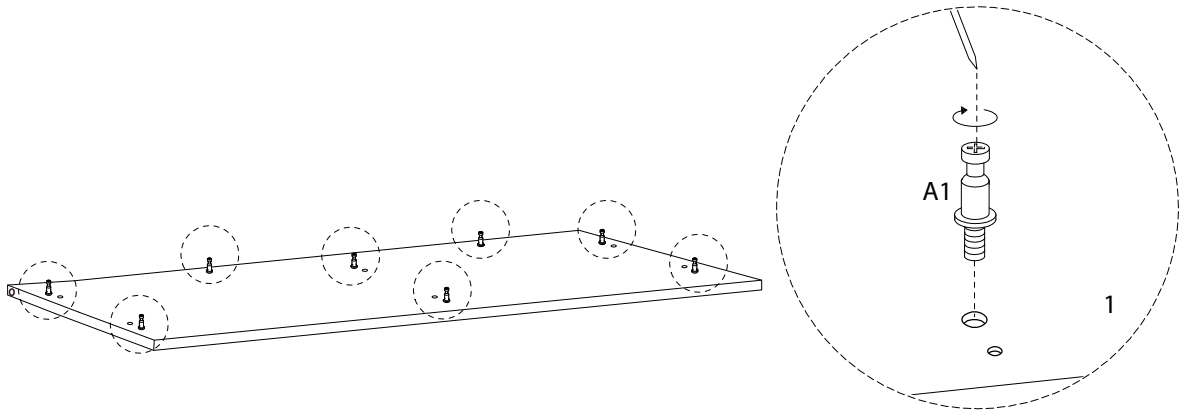
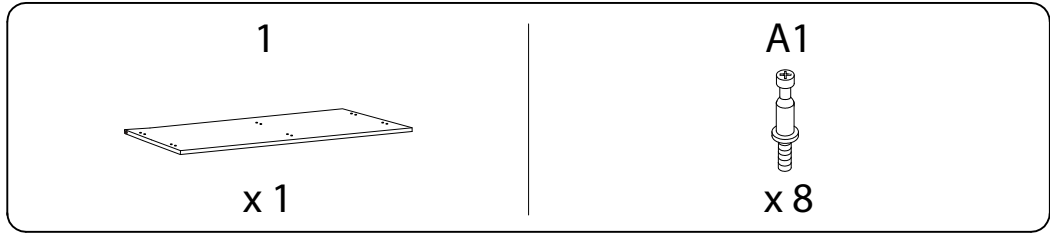
5



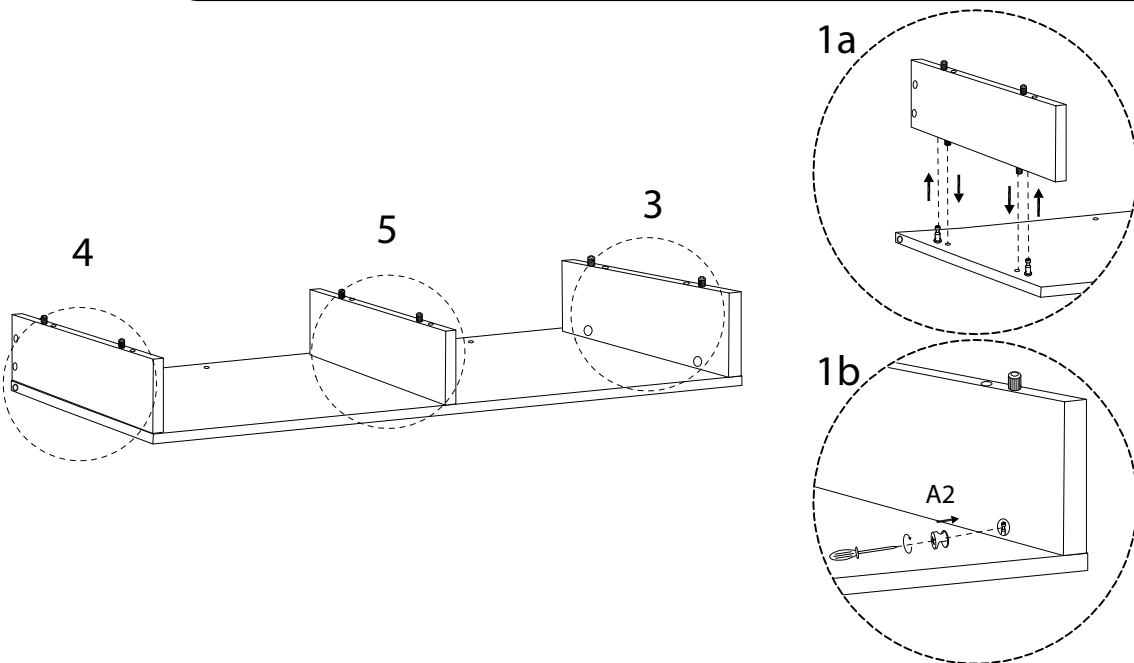
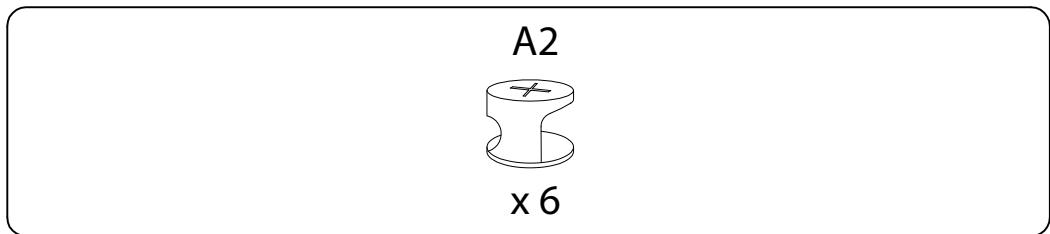
4



6



7



8

6

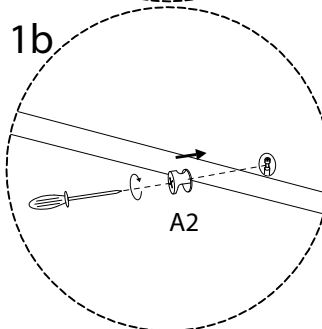
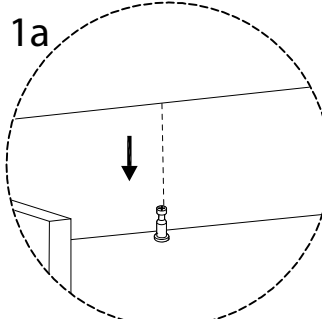
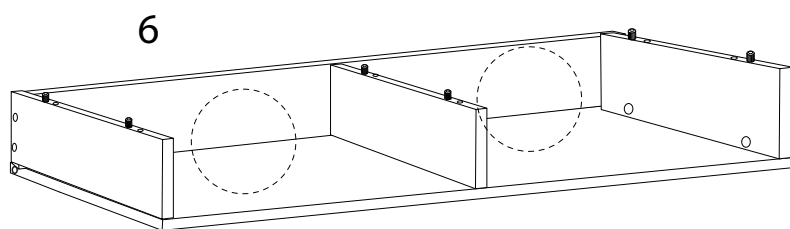


x 1

A2



x 2



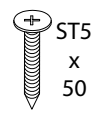
9

2

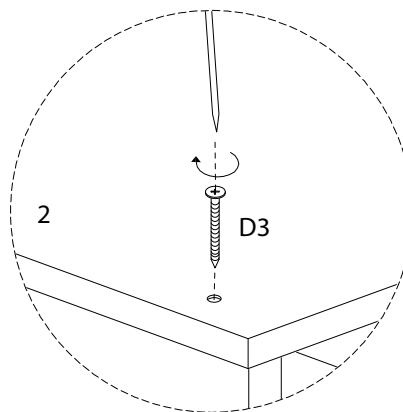
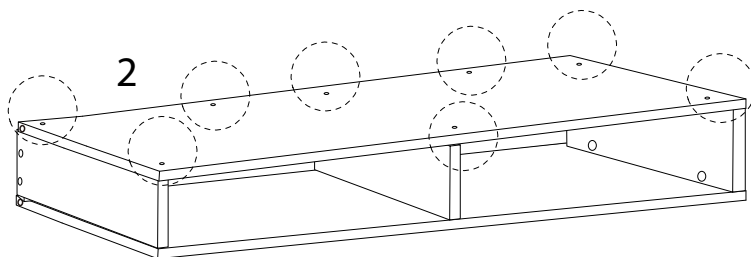


x 1


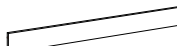



D3

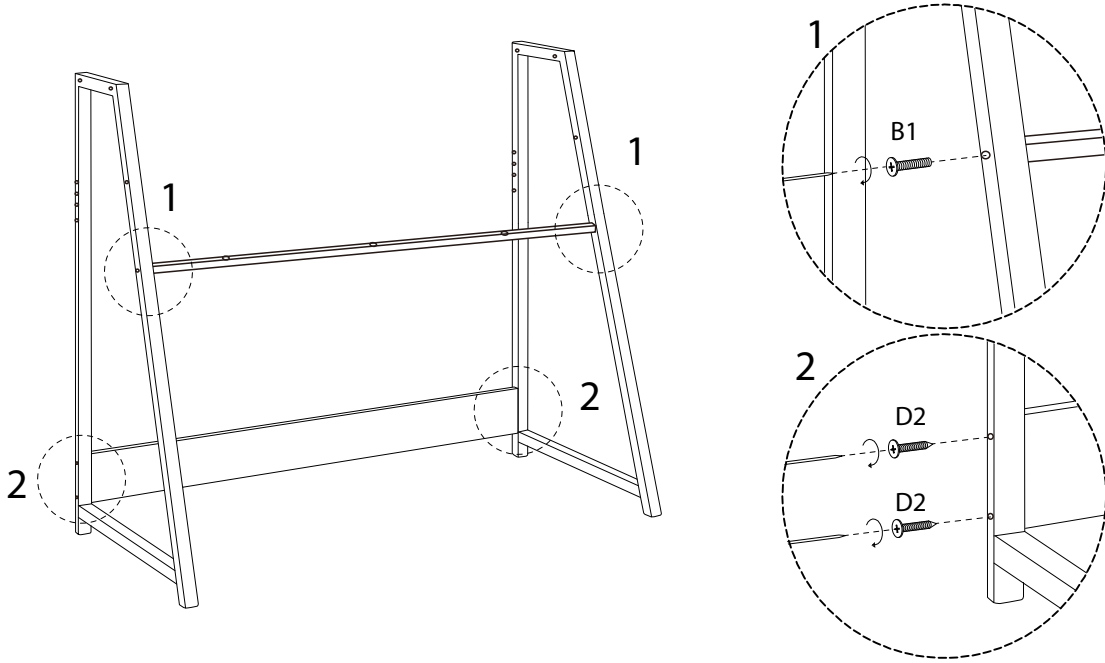


x 8

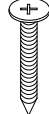


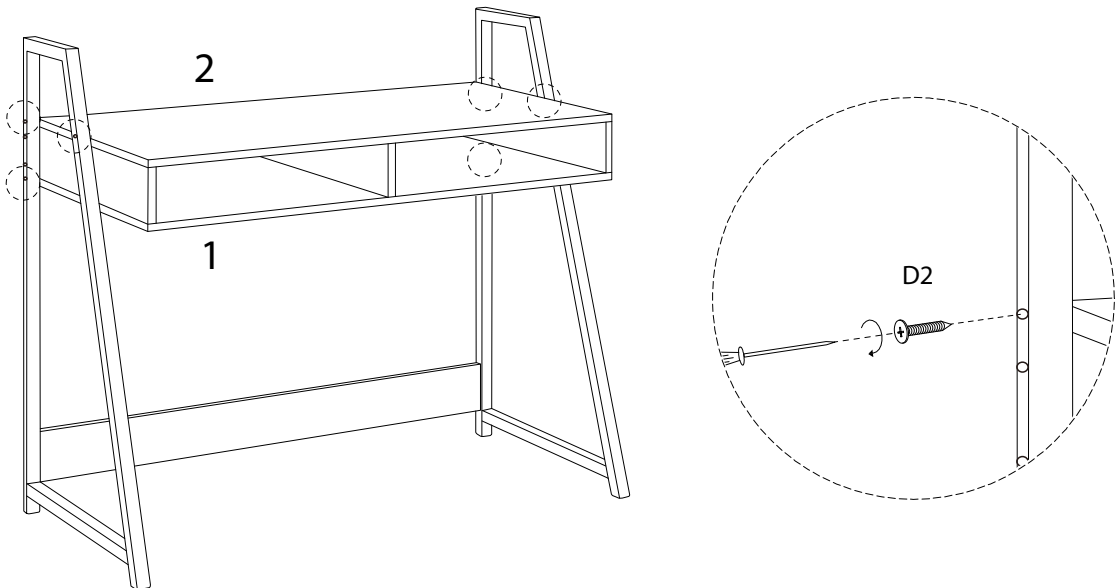
10

14  x 1	7  x 1	15  x 2	B1  M6 x 35 x 2	D2  ST5 x 60 x 4
------------------------------------------------------------------------------------------------	-----------------------------------------------------------------------------------------------	------------------------------------------------------------------------------------------------	-------------------------------------------------------------------------------------------------------------------	--------------------------------------------------------------------------------------------------------------------



11

D2

ST5
x
60
x 6



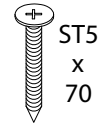
12

B2

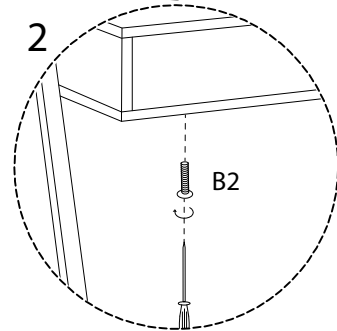
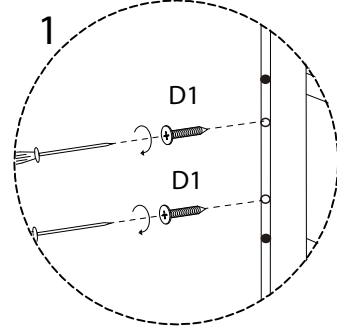
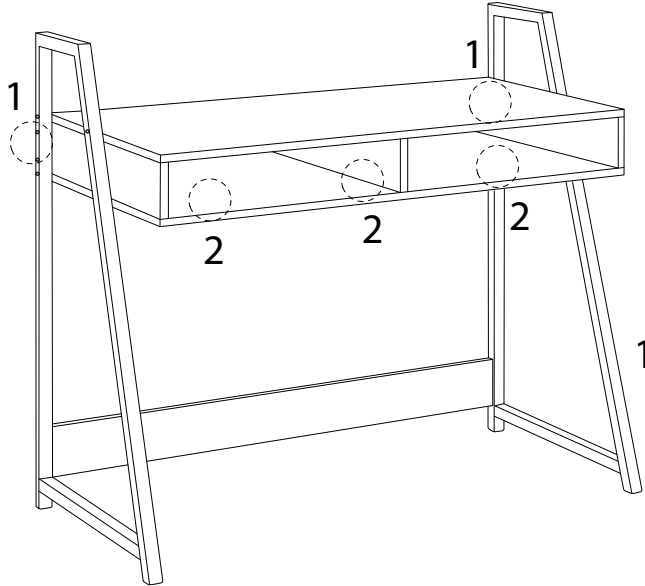


x 3

D1



x 4



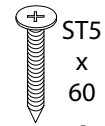
13

8

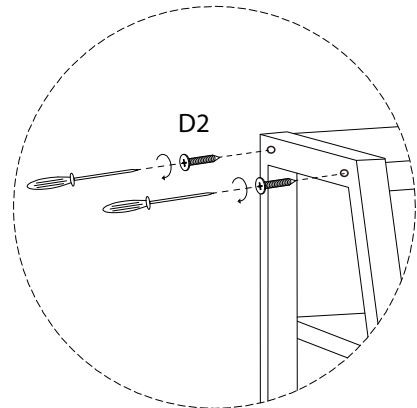
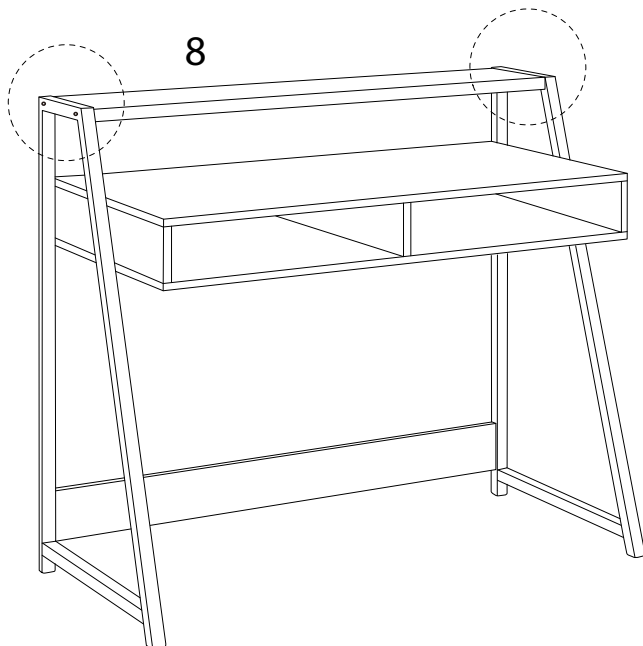


x 1

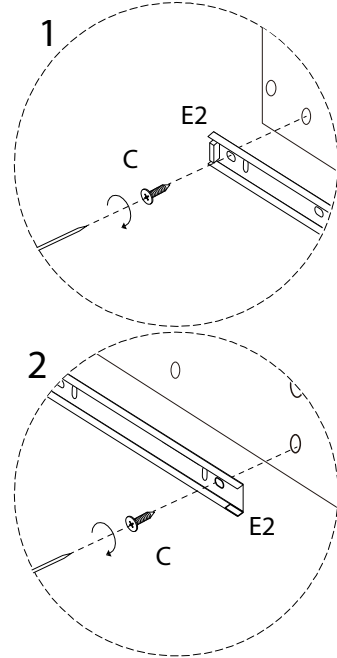
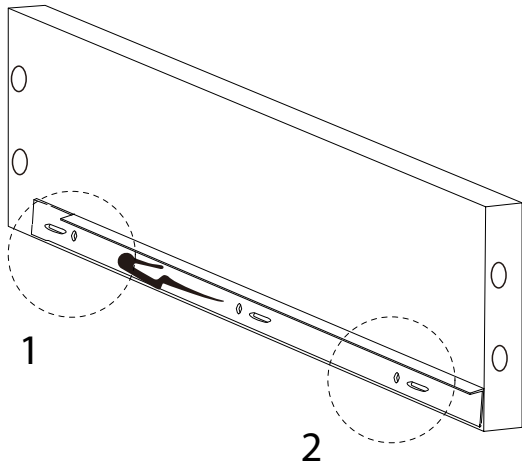
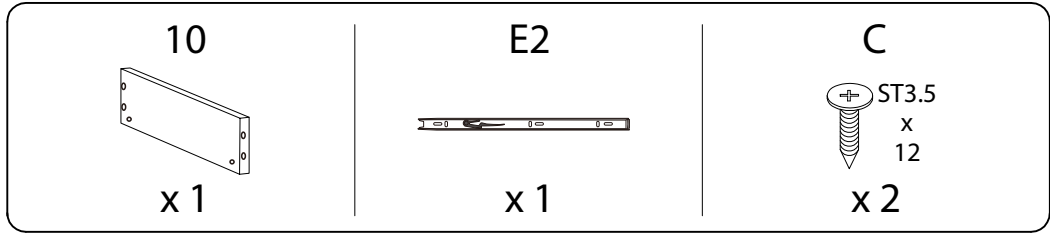
D2



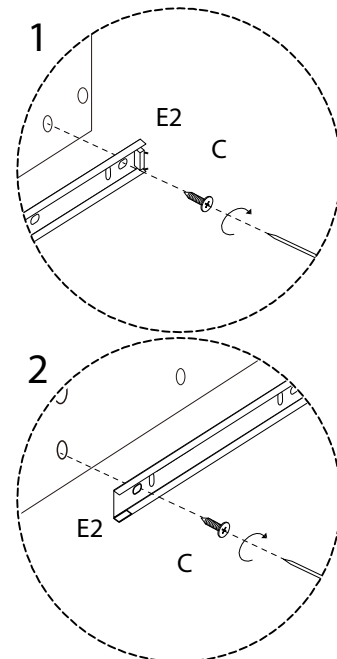
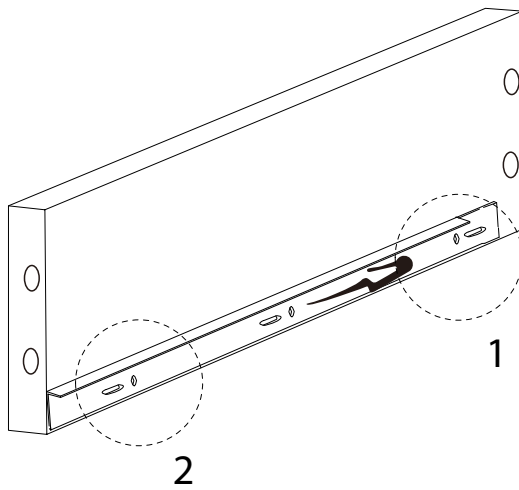
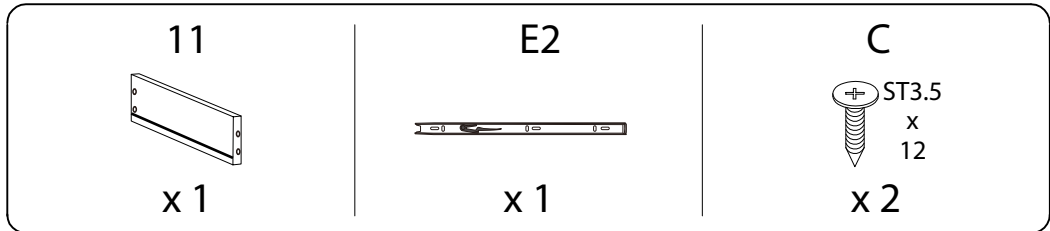
x 4



14



15



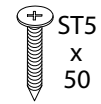
16

12

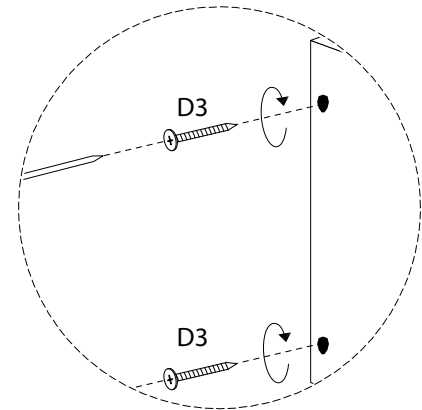
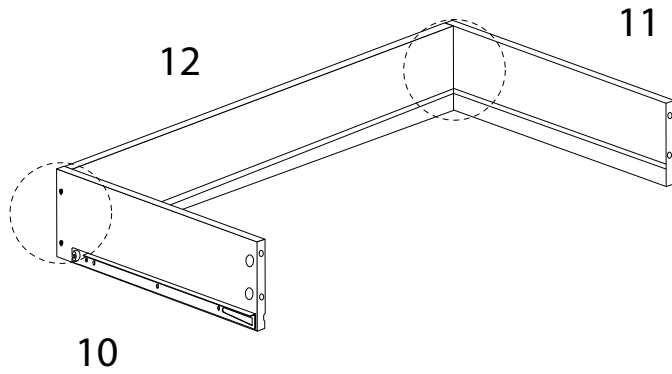


x 1

D3

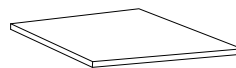


x 4

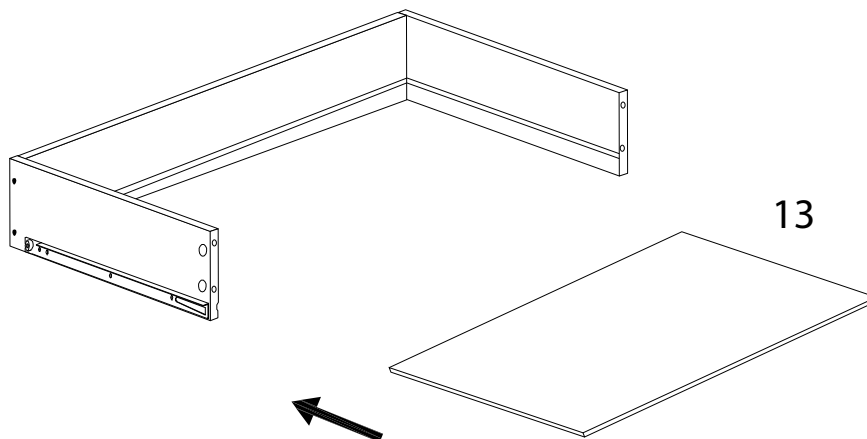


17

13

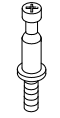


x 1



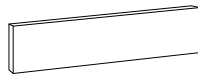
18

A1



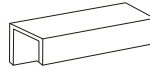
x 4

9



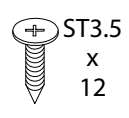
x 1

G

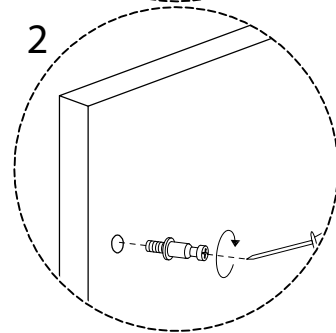
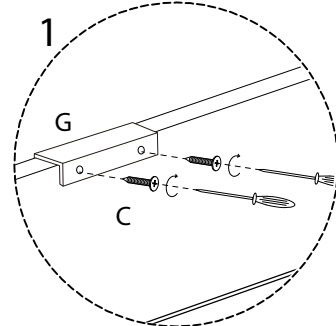
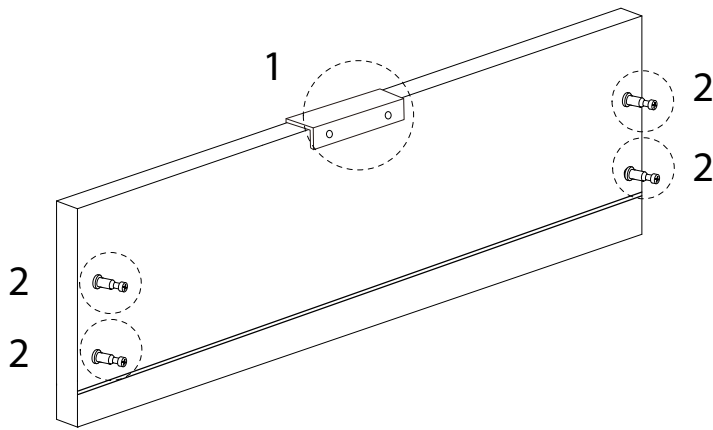


x 1

C



x 2

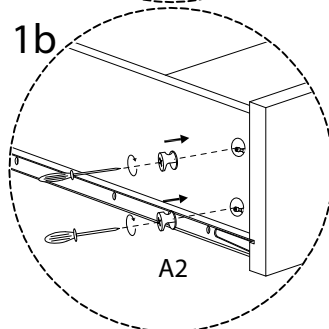
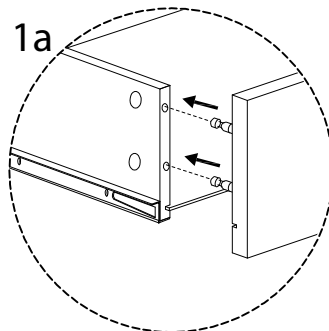
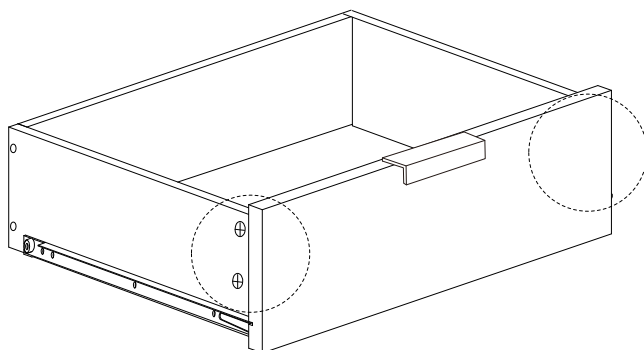


19

A2



x 4



20

