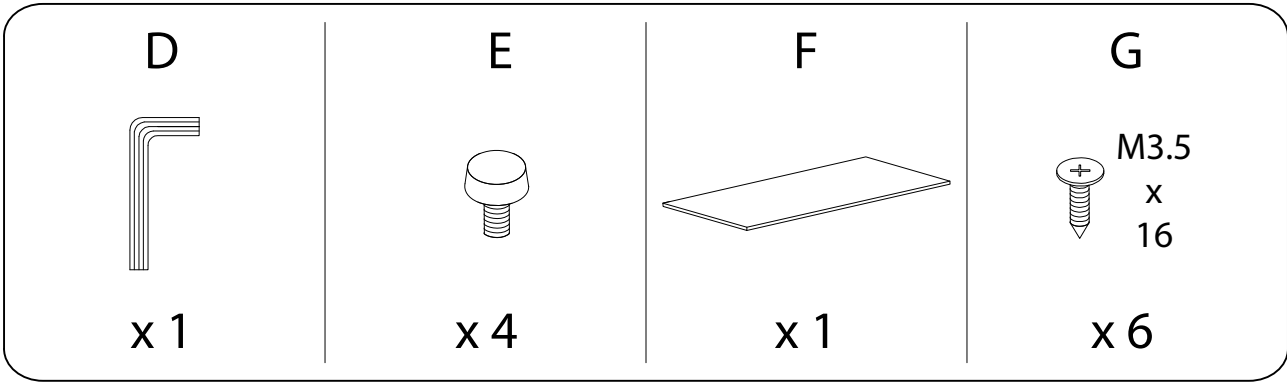
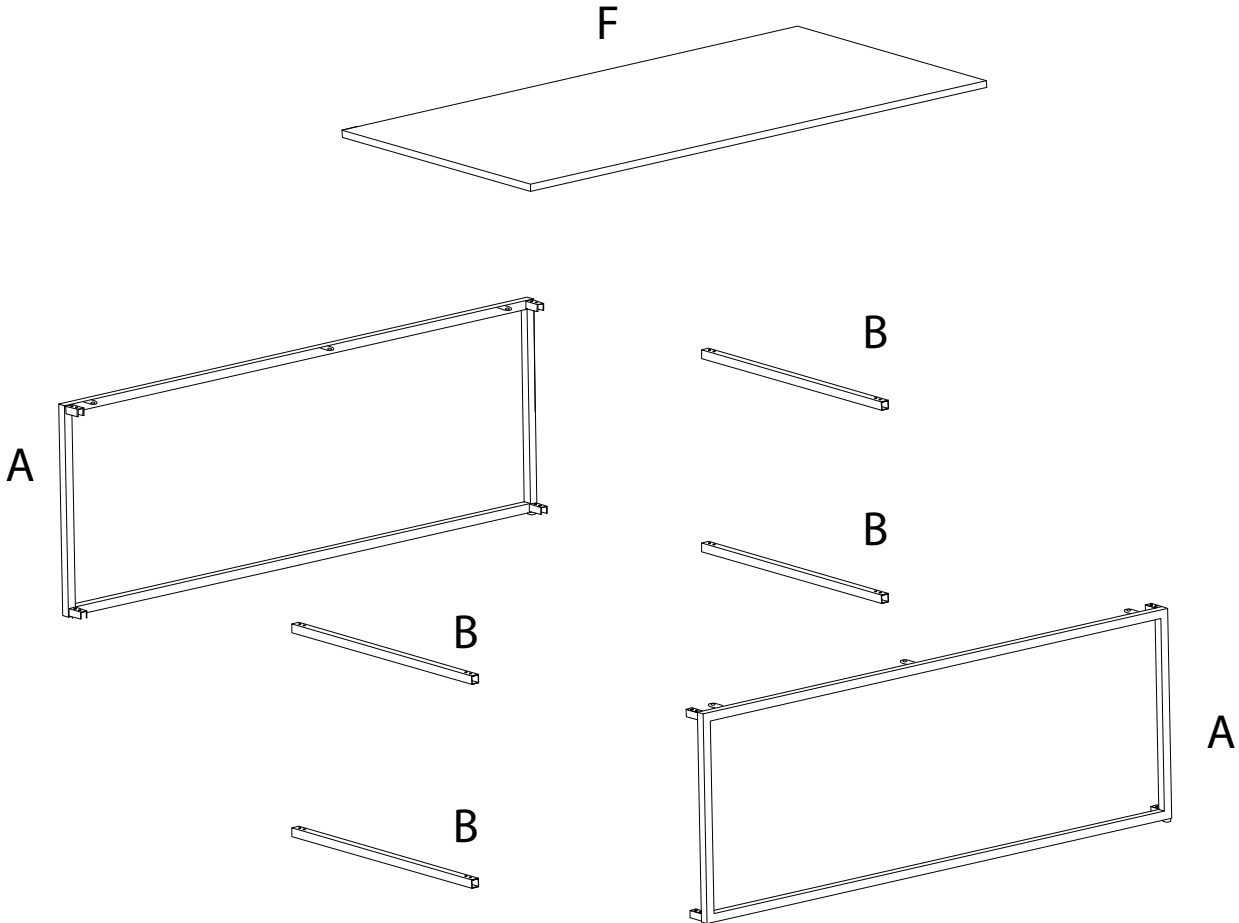
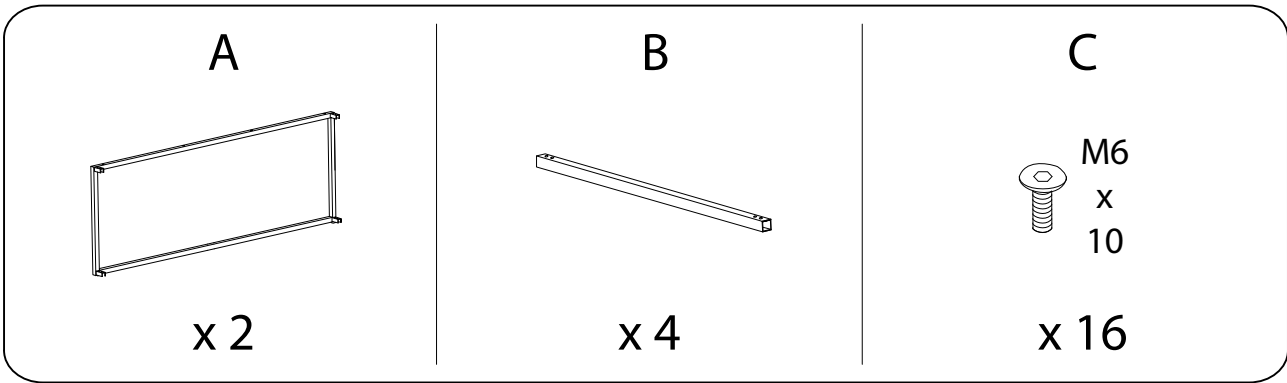
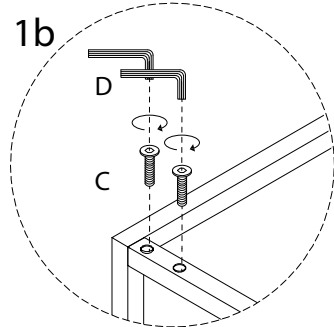
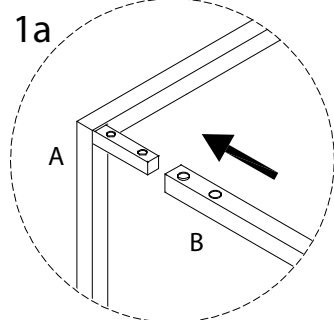
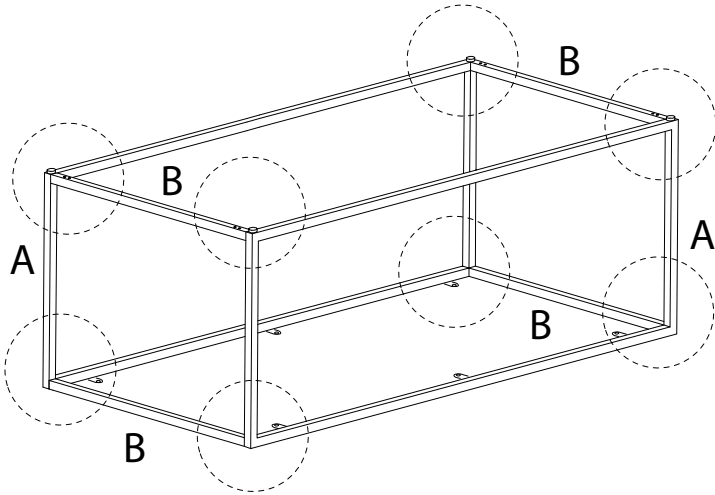
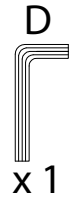
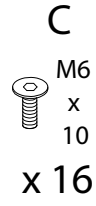
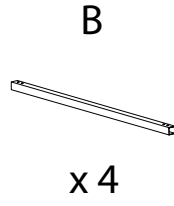
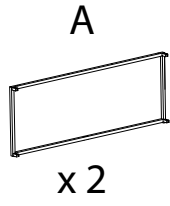


Diagram illustrating the assembly steps for the unit:

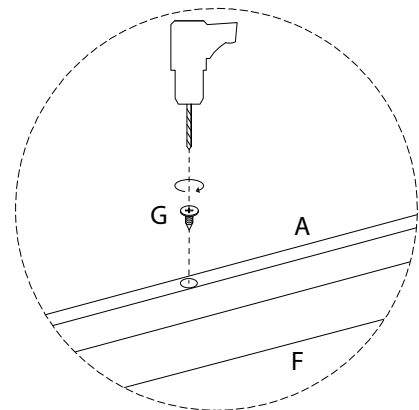
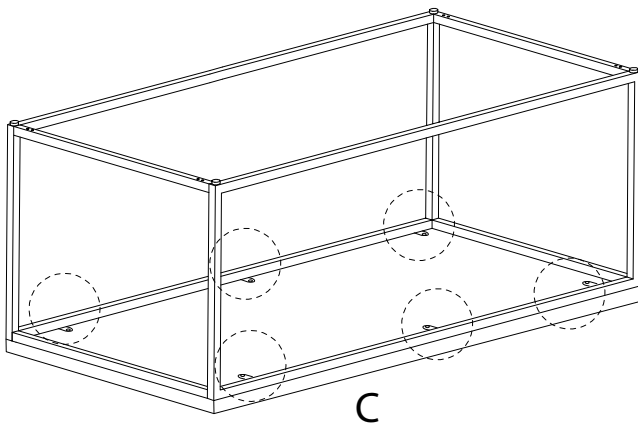
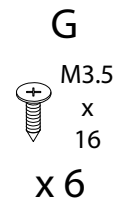
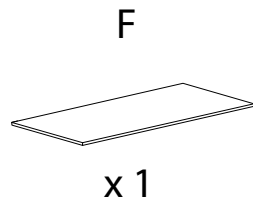
- Step 1:** Shows an Allen key and a power drill. A warning triangle with an exclamation mark is present. A clock icon indicates a duration of **30'**.
- Step 2:** Shows a rectangular panel being placed on a base. A warning triangle with an exclamation mark is present. A person icon indicates that **1** person is required.



1



2



3

E



x 4

