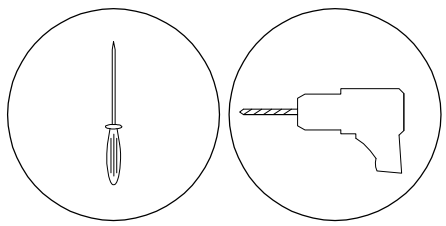
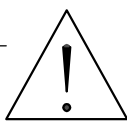
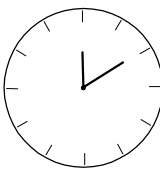
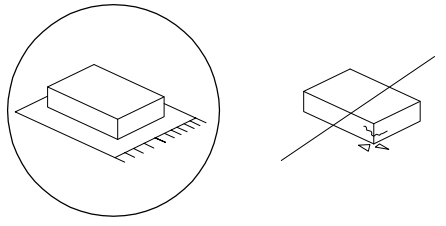

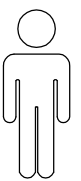
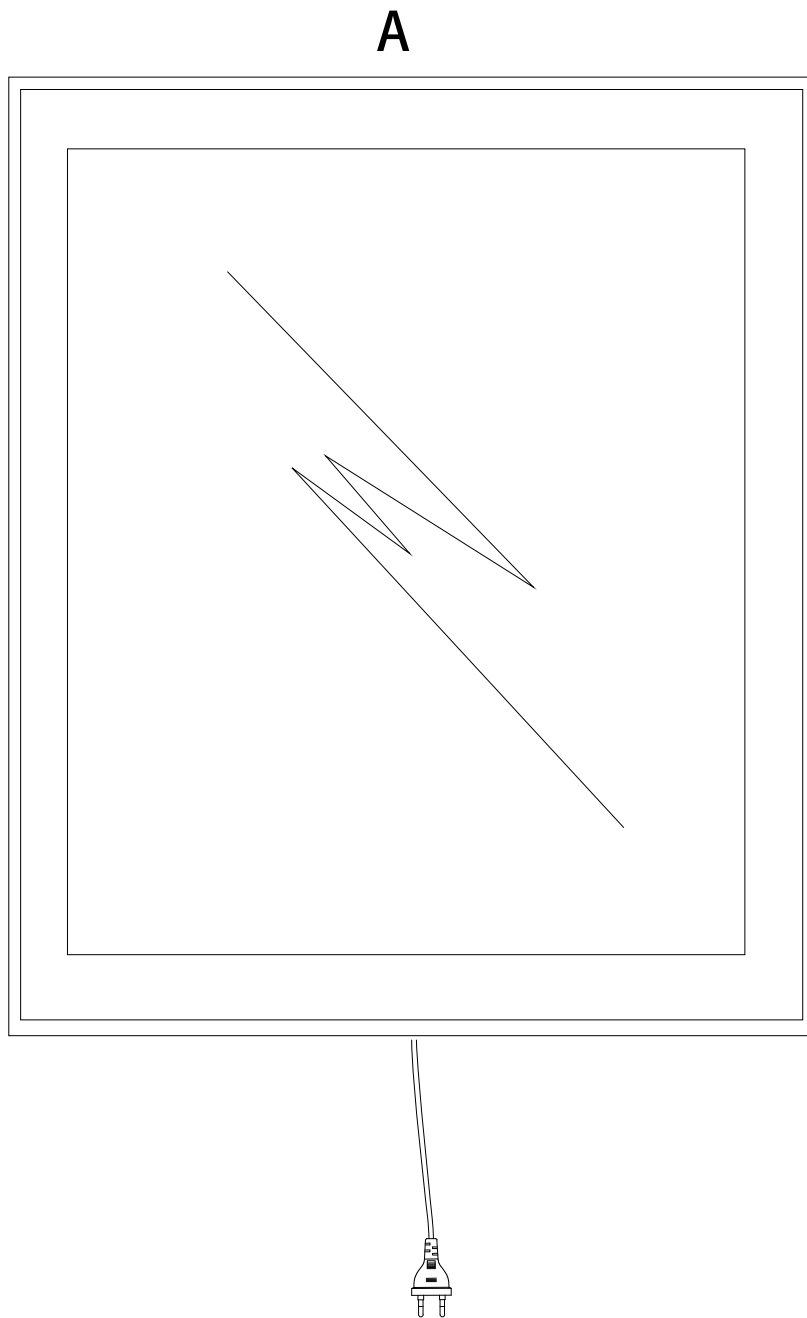
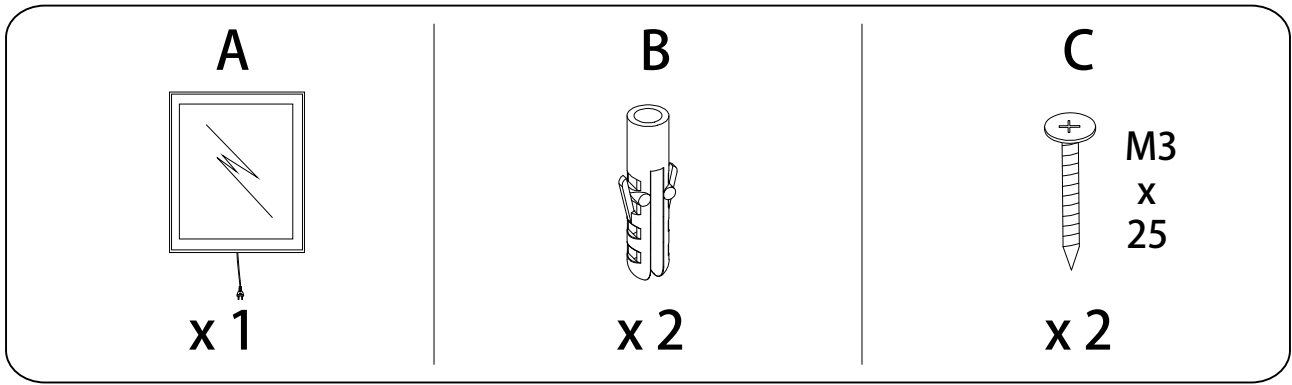
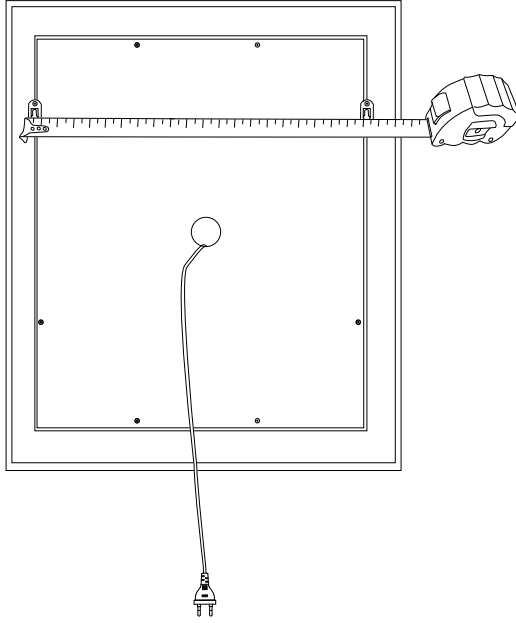


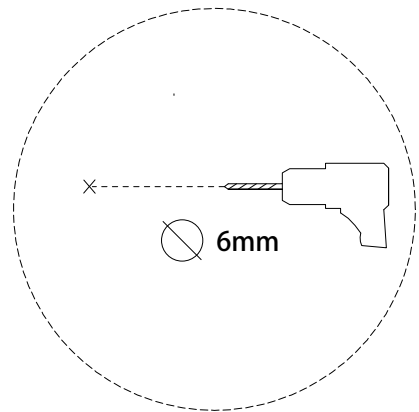
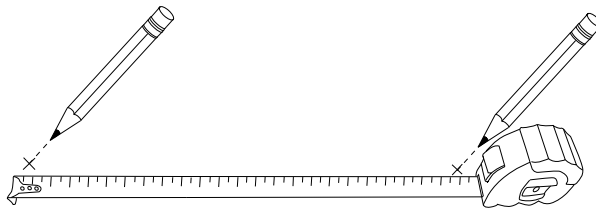
| | | |
|---|---|---|
|  |  |  |
| | | 10' |
|  |  |  |
| | | 1 |
| 1/5 | | |




1




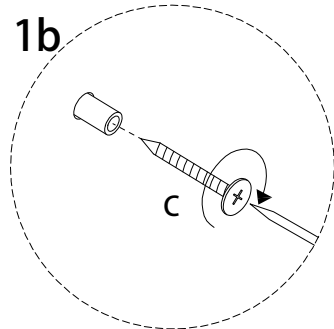
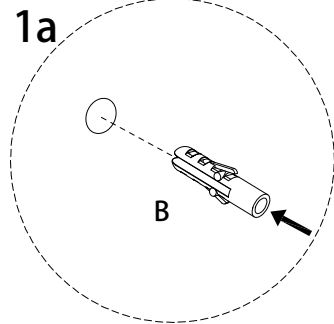
2



3

B

x 2

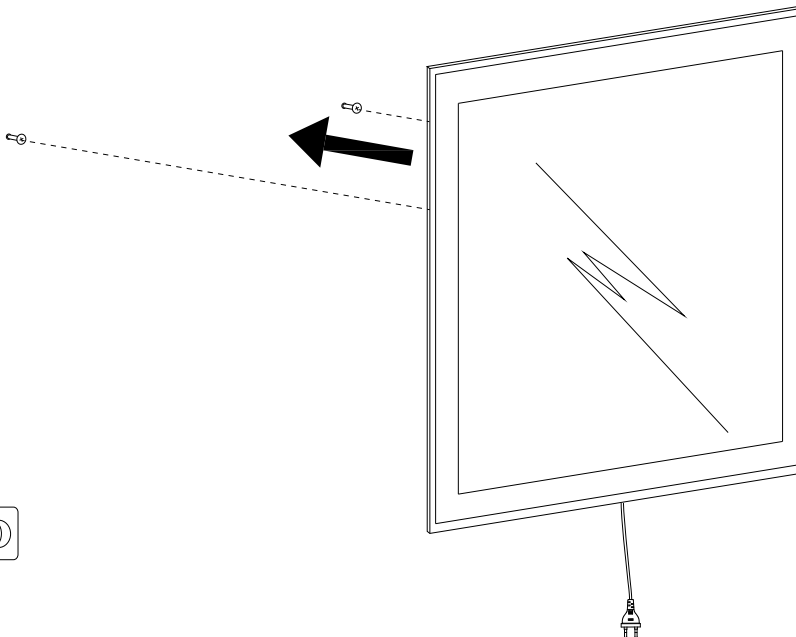
C

M3
x 25
x 2



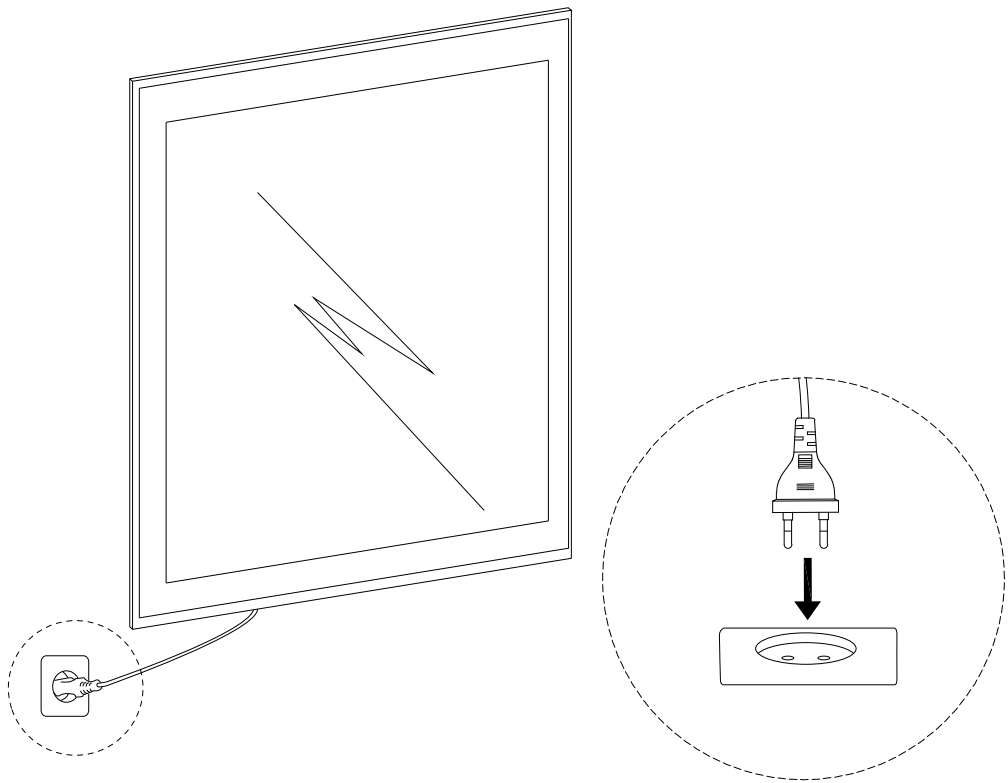
4

A

x 1



5



!

