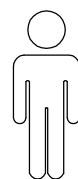
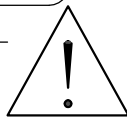
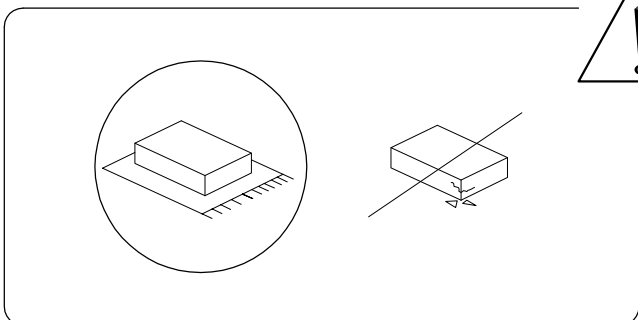
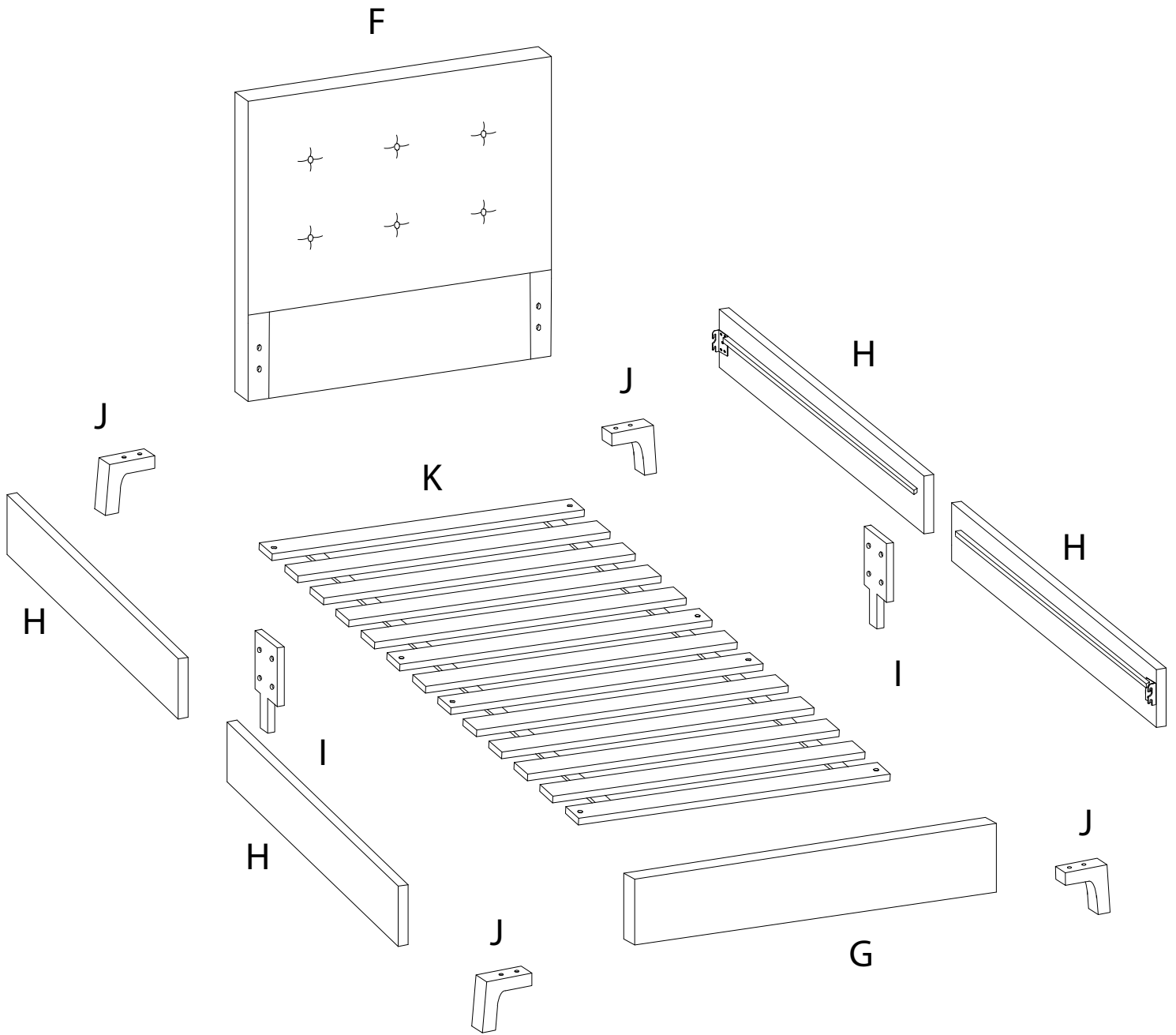
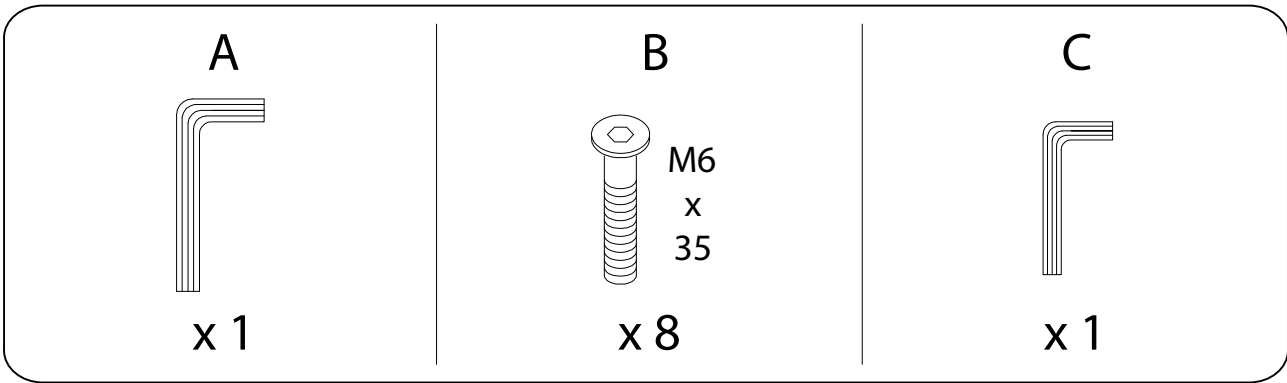


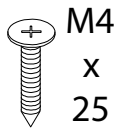
40'



2

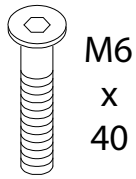


D



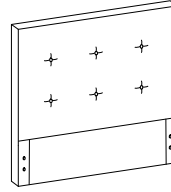
x 8

E



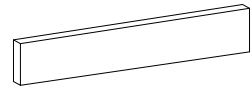
x 8

F



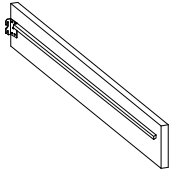
x 1

G



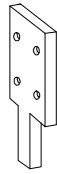
x 1

H



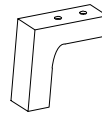
x 4

I



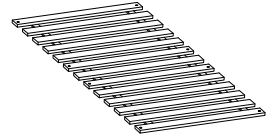
x 2

J



x 4

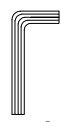
K



x 1

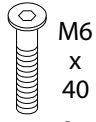
1

C



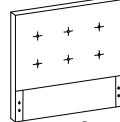
x1

E



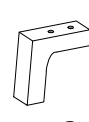
x4

F

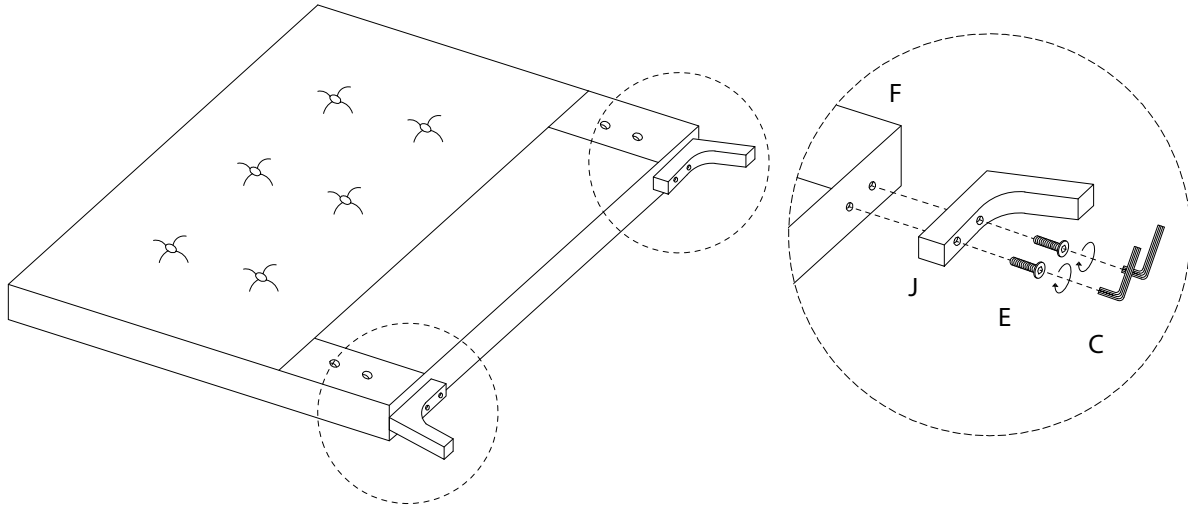


x1

J

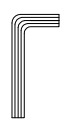


x2



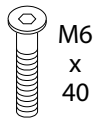
2

C



x1

E



x4

G

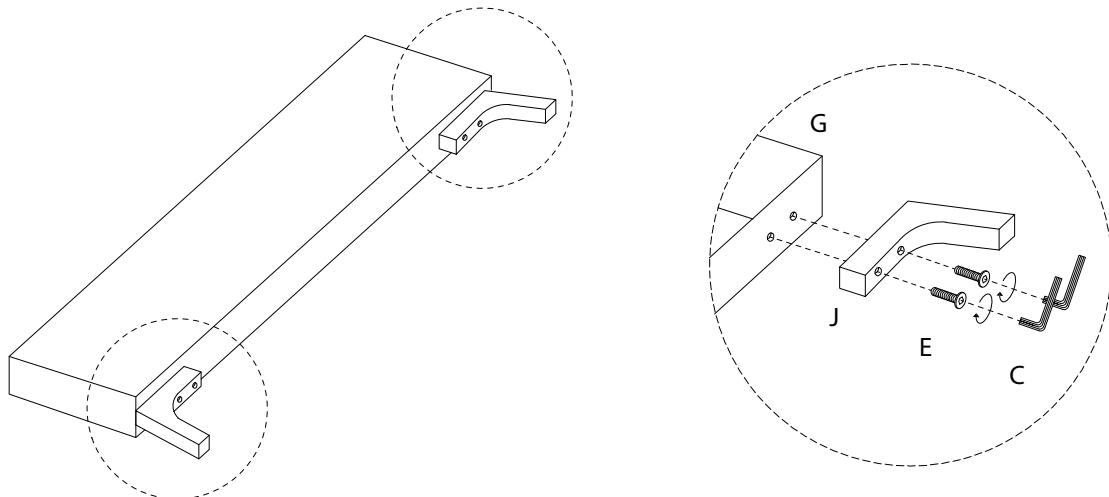


x1

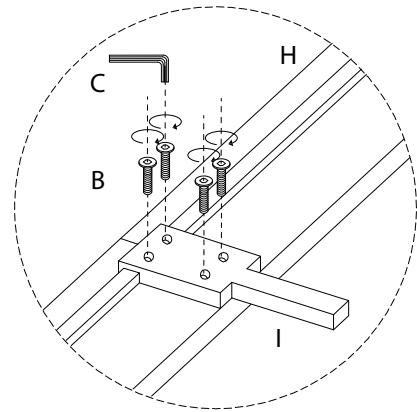
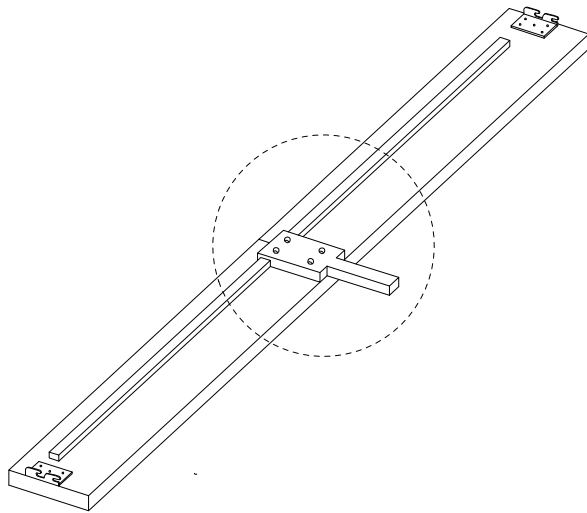
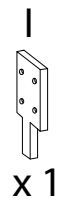
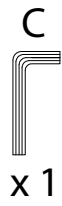
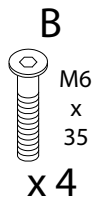
J



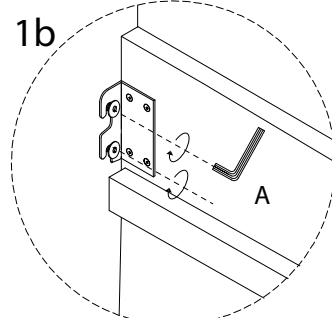
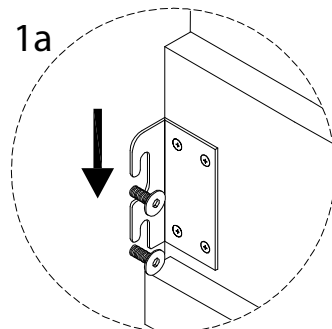
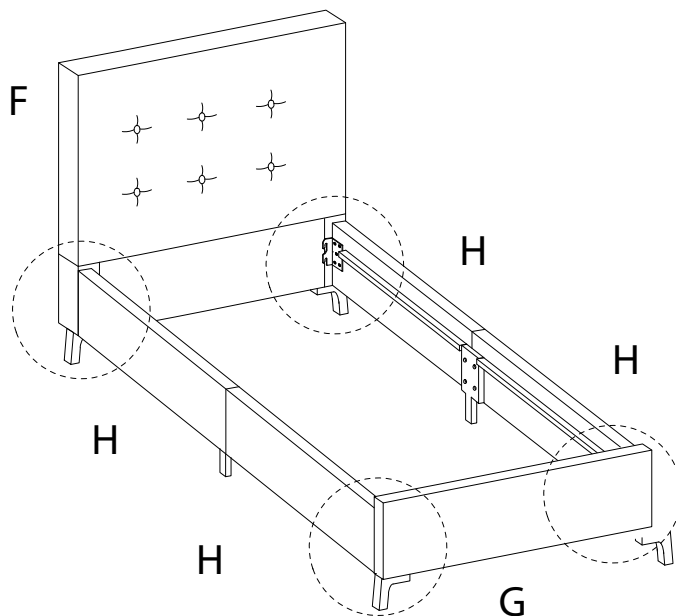
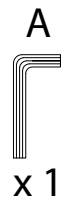
x2



3 x 2



4



5

D



x 8

K



x 1

