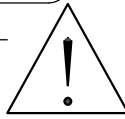
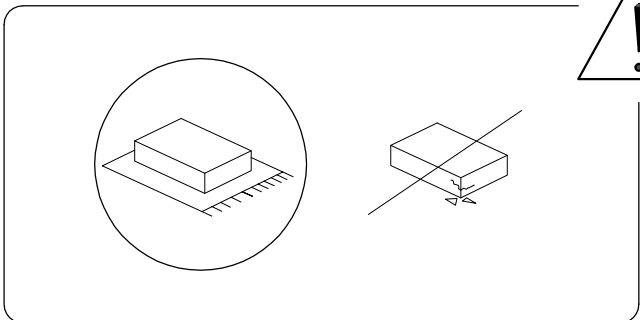
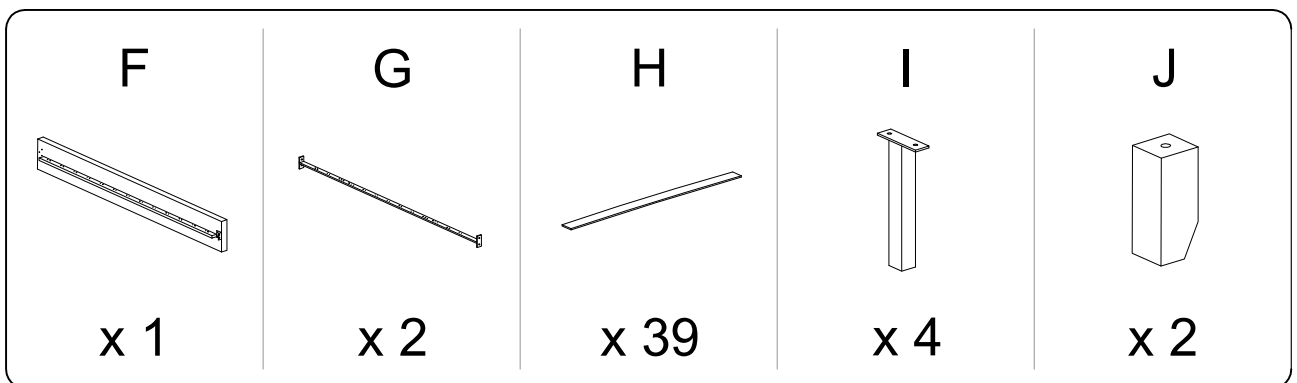
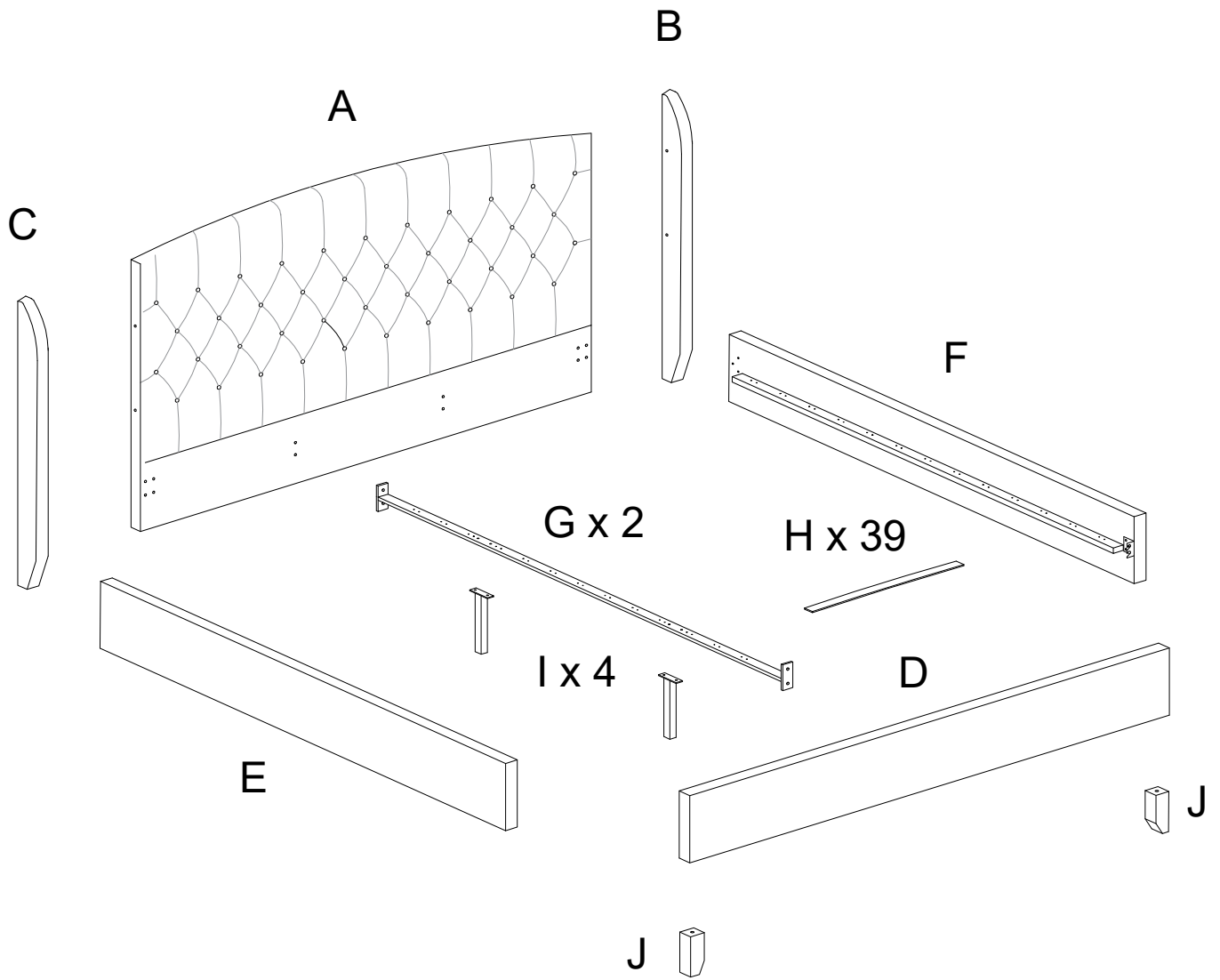
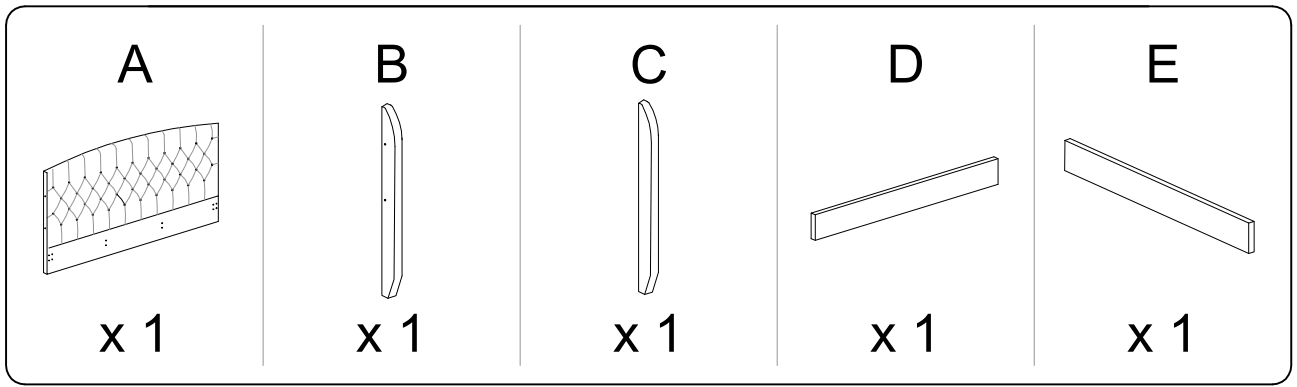


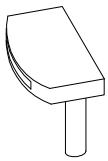
60'



2

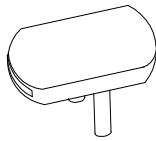


**K**



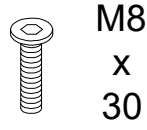
x 26

**L**



x 26

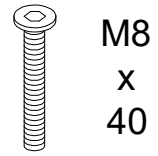
**M**



M8  
x  
30

x 18

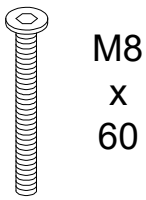
**N**



M8  
x  
40

x 16

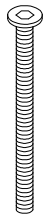
**O**



M8  
x  
60

x 4

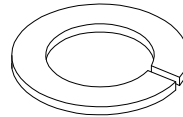
**P**



M8  
x  
100

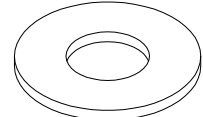
x 2

**Q**



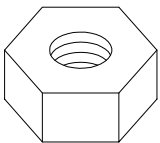
x 38

**R**



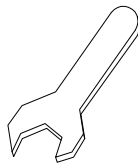
x 38

**S**



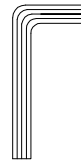
x 8

**T**



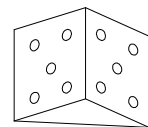
x 1

**U**



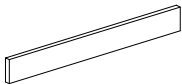
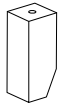


x 1

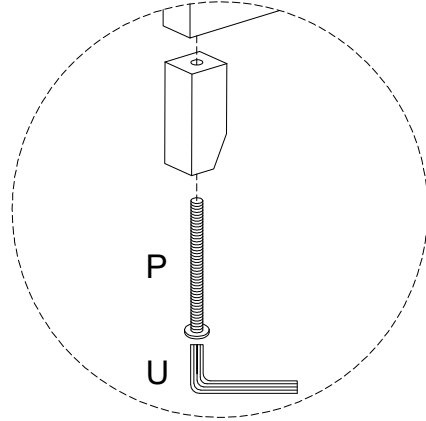
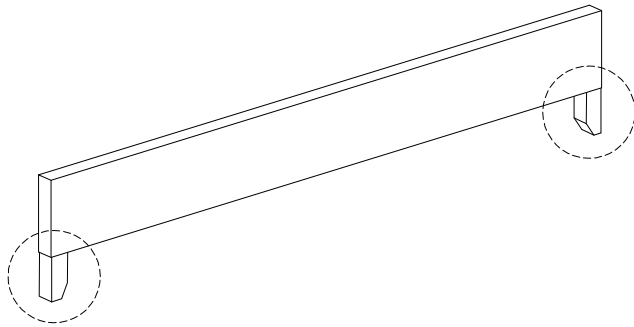
**W**




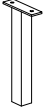

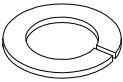
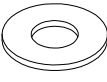
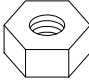
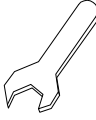

x 2

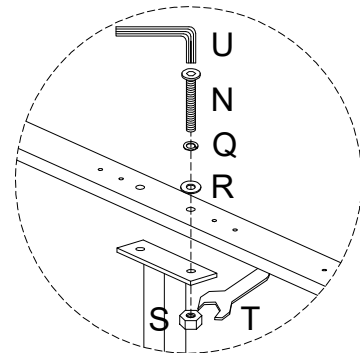
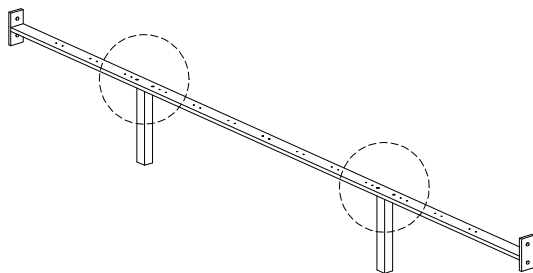
1

<p>D</p>  <p>x 1</p>	<p>J</p>  <p>x 2</p>	<p>P</p>  <p>M8 x 100</p> <p>x 2</p>	<p>U</p>  <p>x 1</p>
---	---	--	---

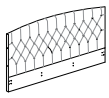


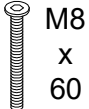

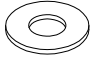
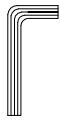


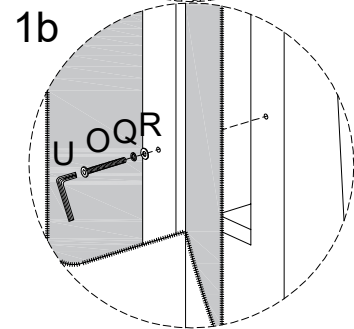
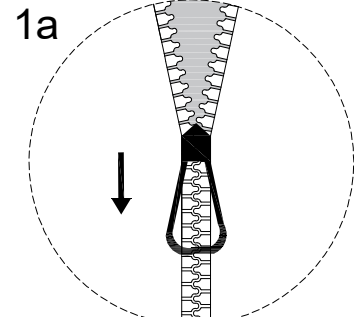
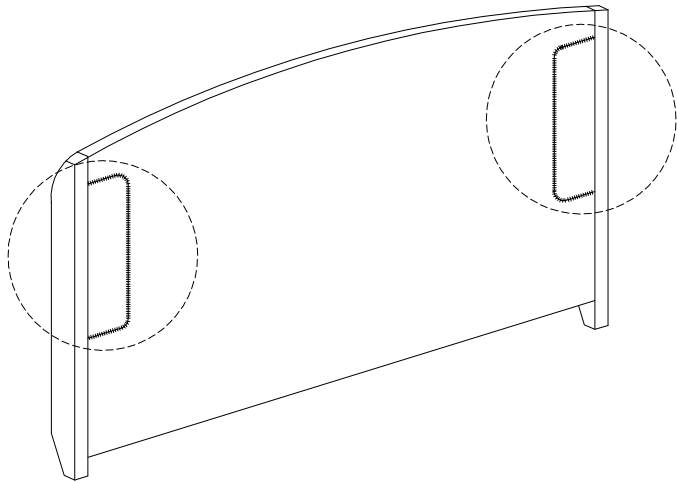
2 x 2

<p>G</p>  <p>x 1</p>	<p>I</p>  <p>x 2</p>	<p>N</p>  <p>M8 x 40</p> <p>x 4</p>	<p>Q</p>  <p>x 4</p>
<p>R</p>  <p>x 4</p>	<p>S</p>  <p>x 4</p>	<p>T</p>  <p>x 1</p>	<p>U</p>  <p>x 1</p>




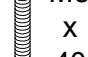


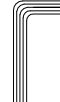
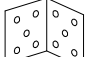


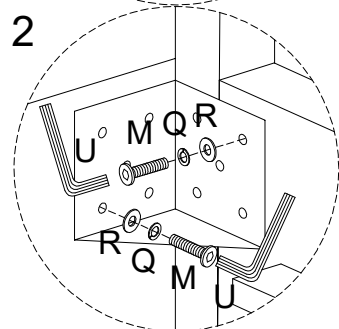
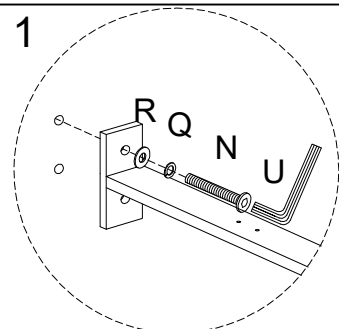
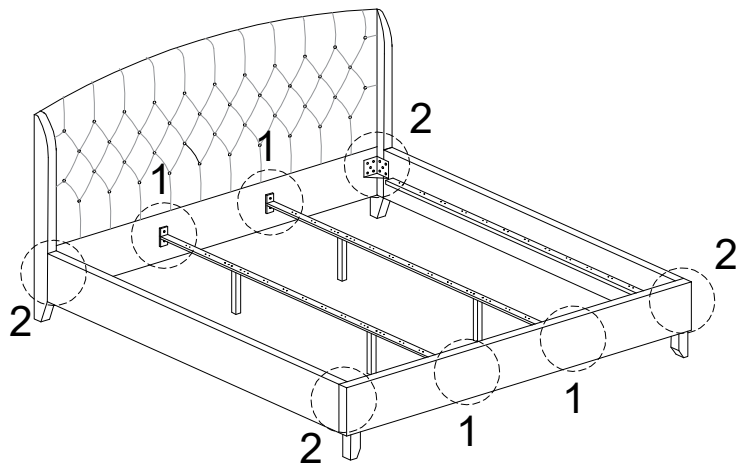
3

<b>A</b>  x 1	<b>B</b>  x 1	<b>C</b>  x 1	<b>O</b>  x 4	<b>Q</b>  x 4	<b>R</b>  x 4	<b>U</b>  x 1
--	--	--	--	---	--	--

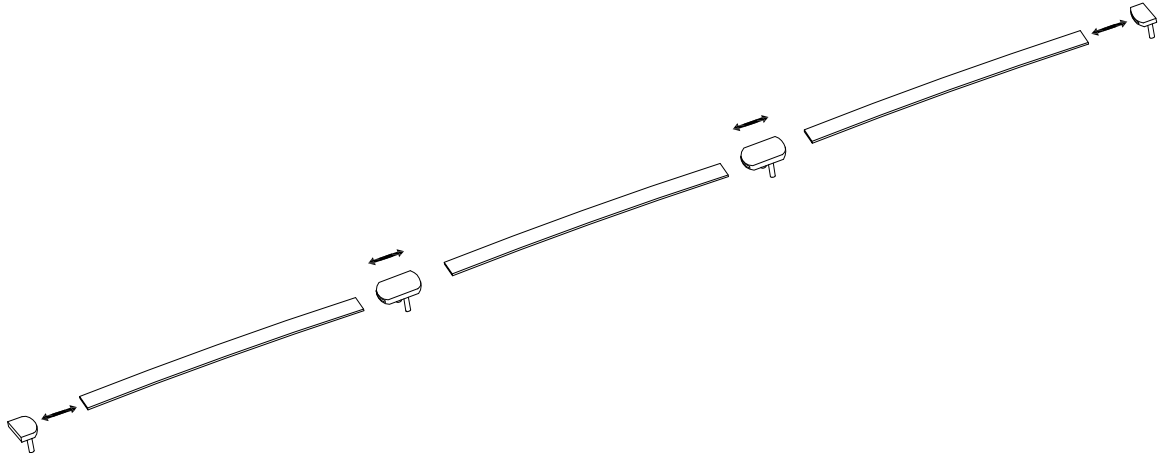
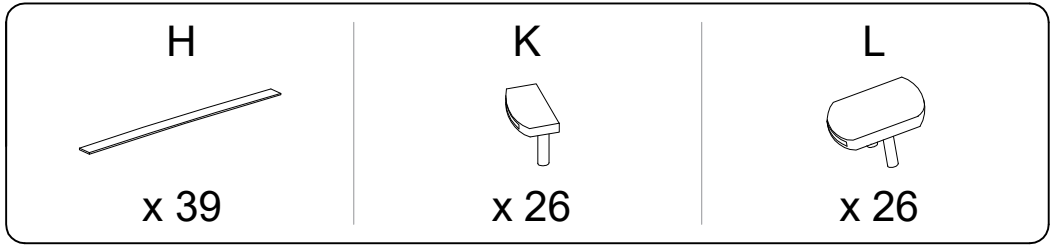


4

<b>E</b>  x 1	<b>F</b>  x 1	<b>M</b>  x 18	<b>N</b>  x 8	<b>Q</b>  x 26	<b>R</b>  x 26	<b>U</b>  x 1	<b>W</b>  x 2
--	--	---	--	---	---	--	--



5



6

