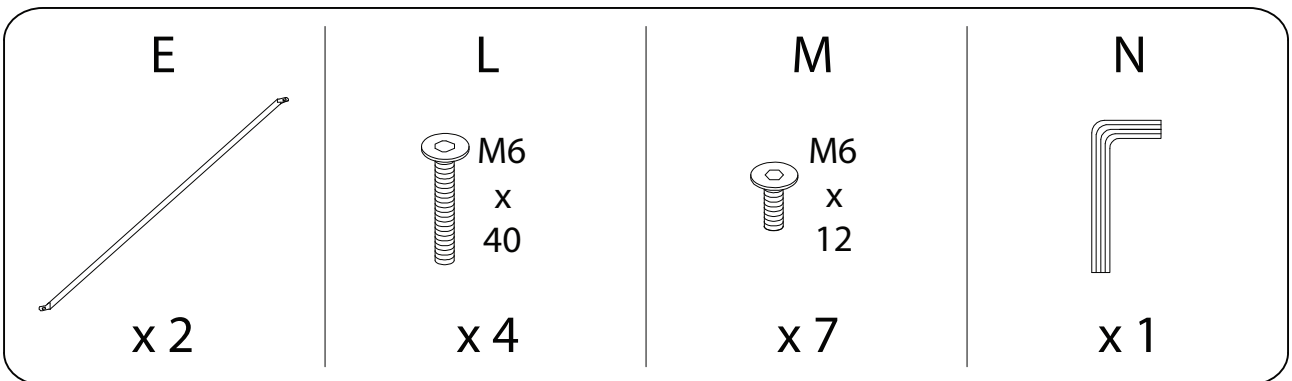
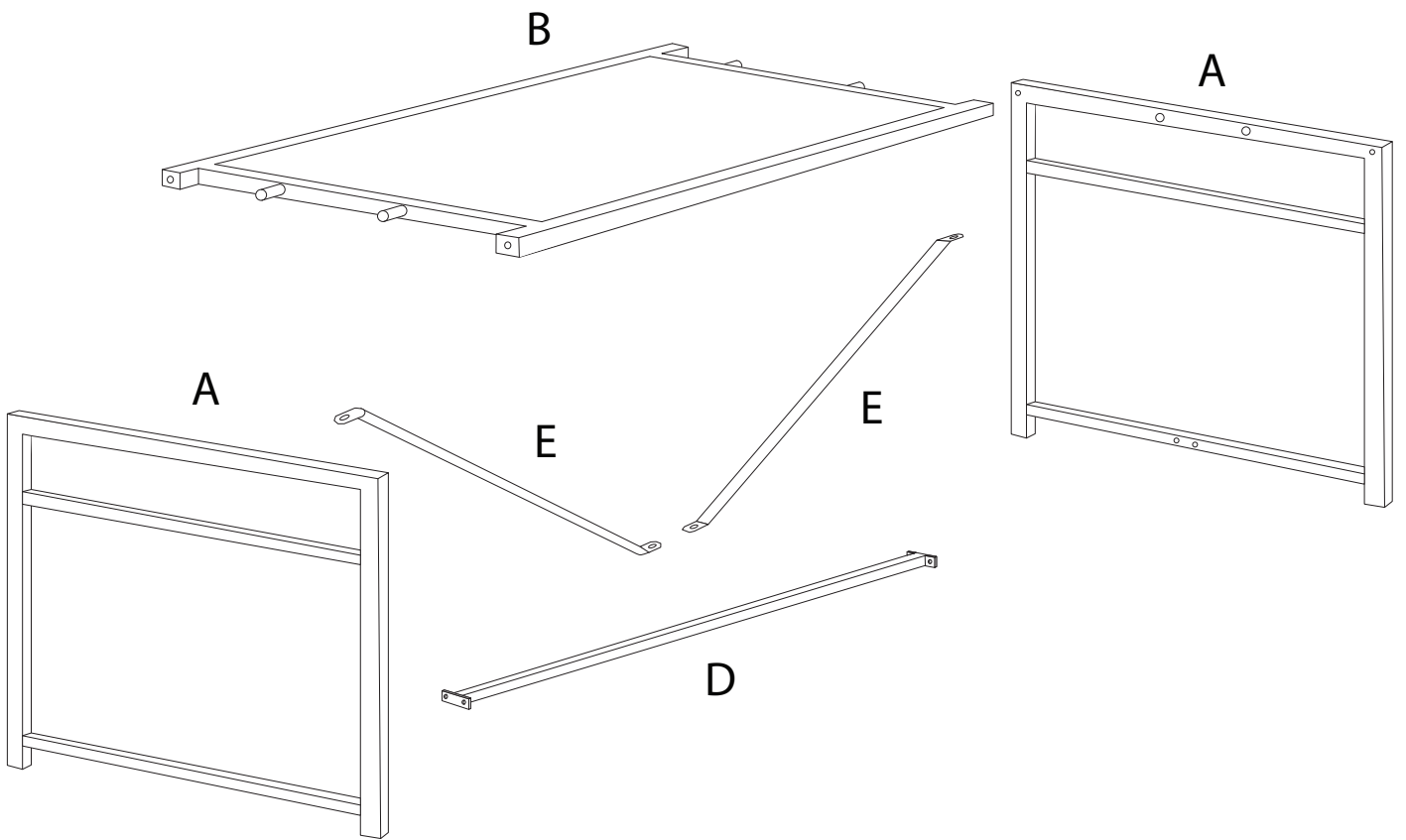
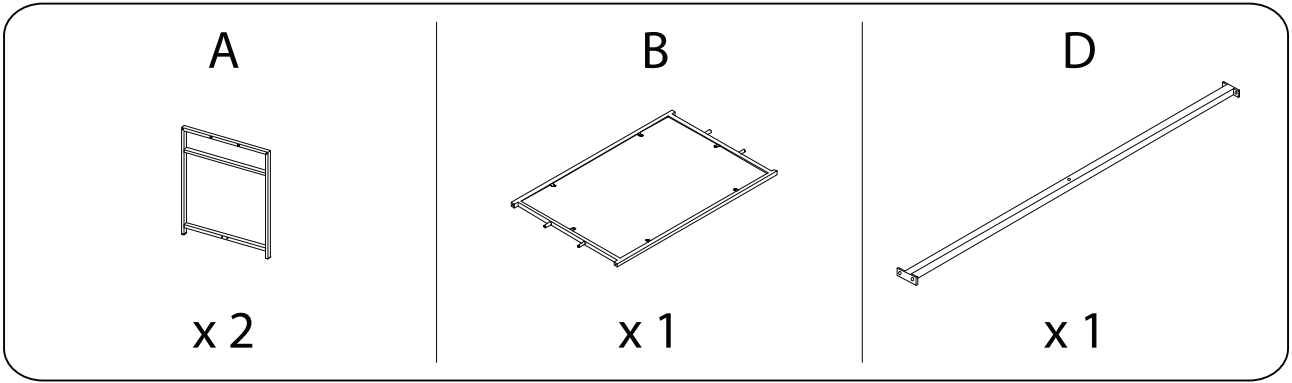


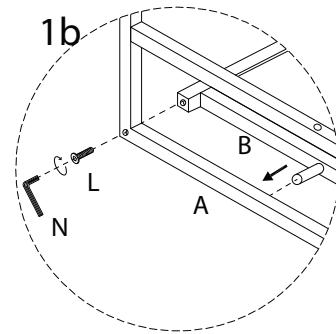
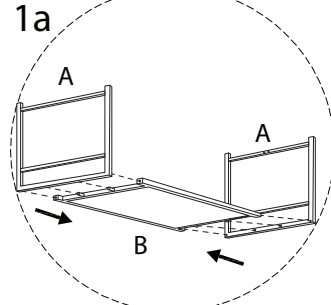
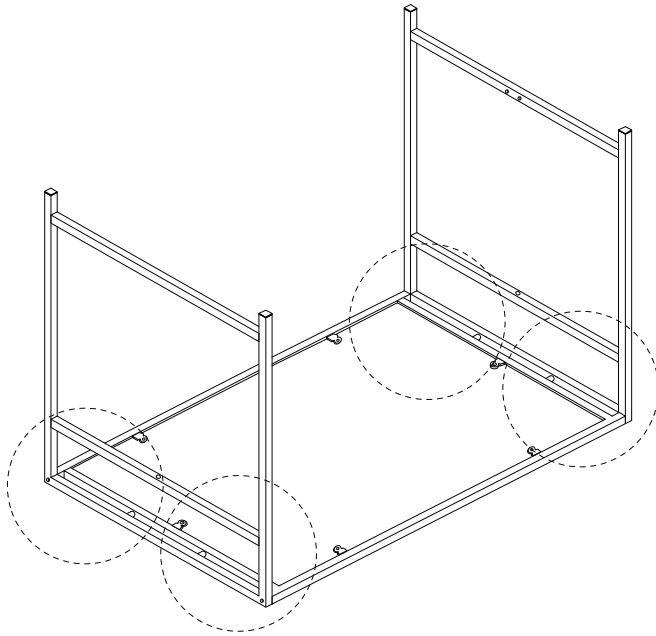
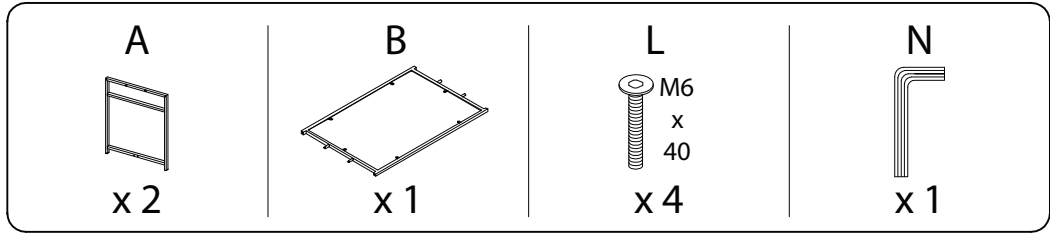
40'

2

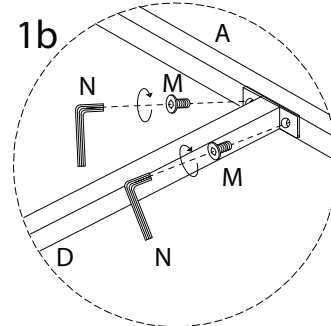
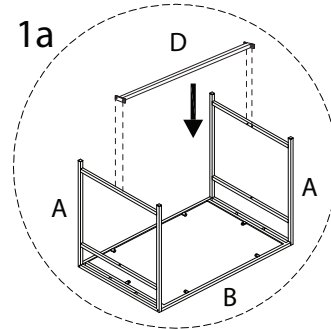
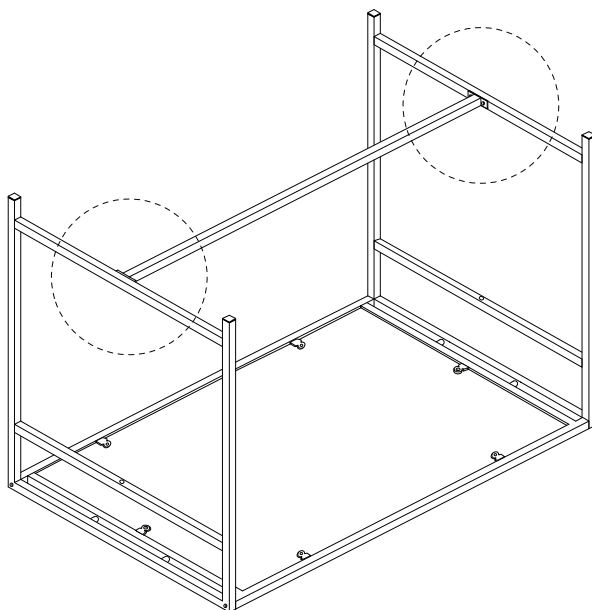
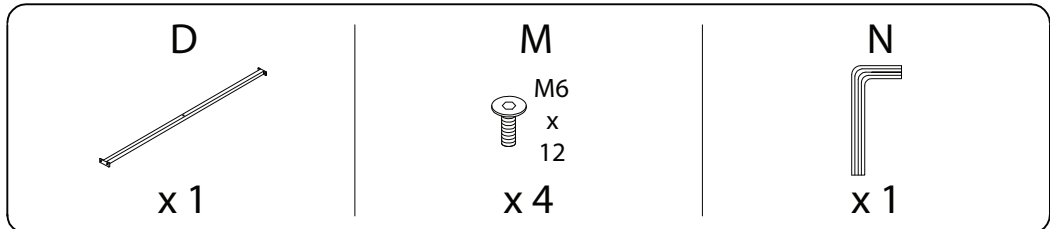
A



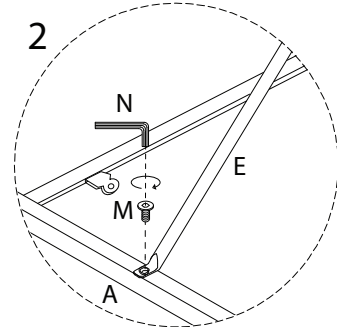
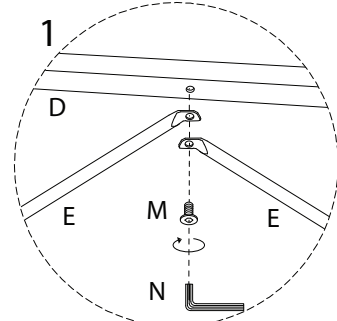
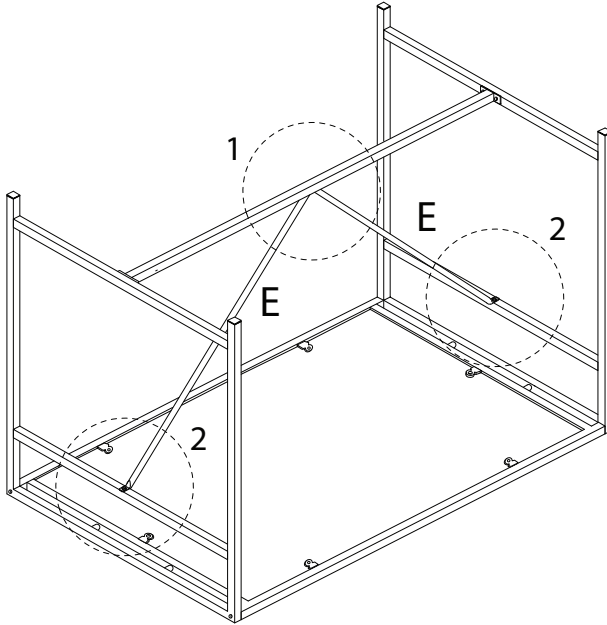
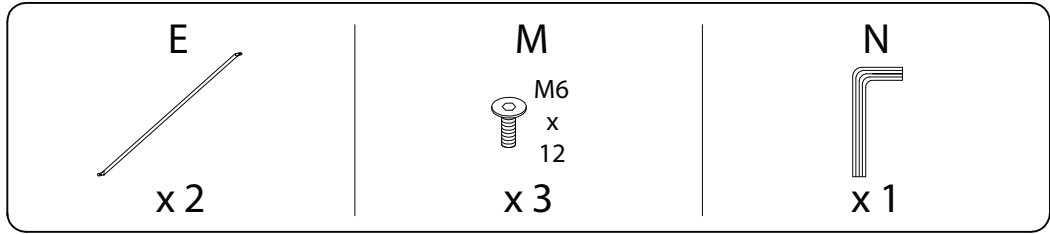
1



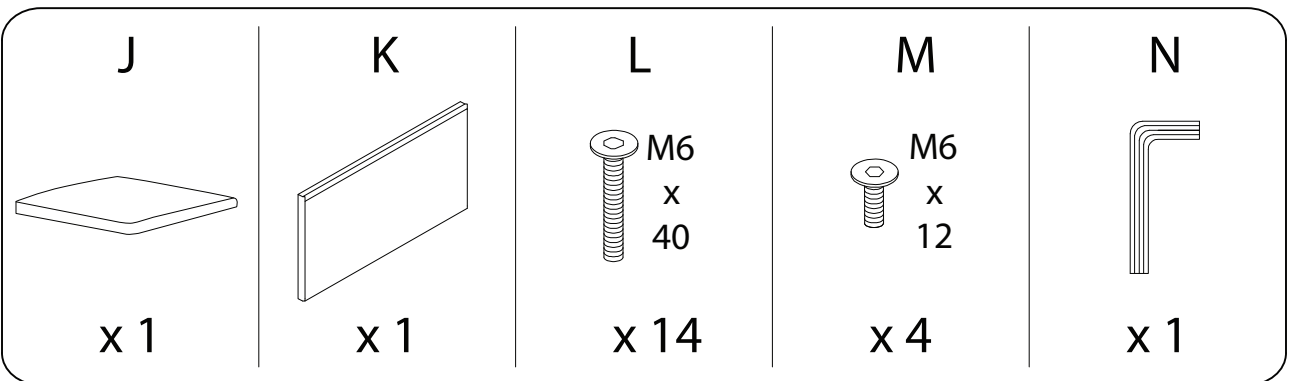
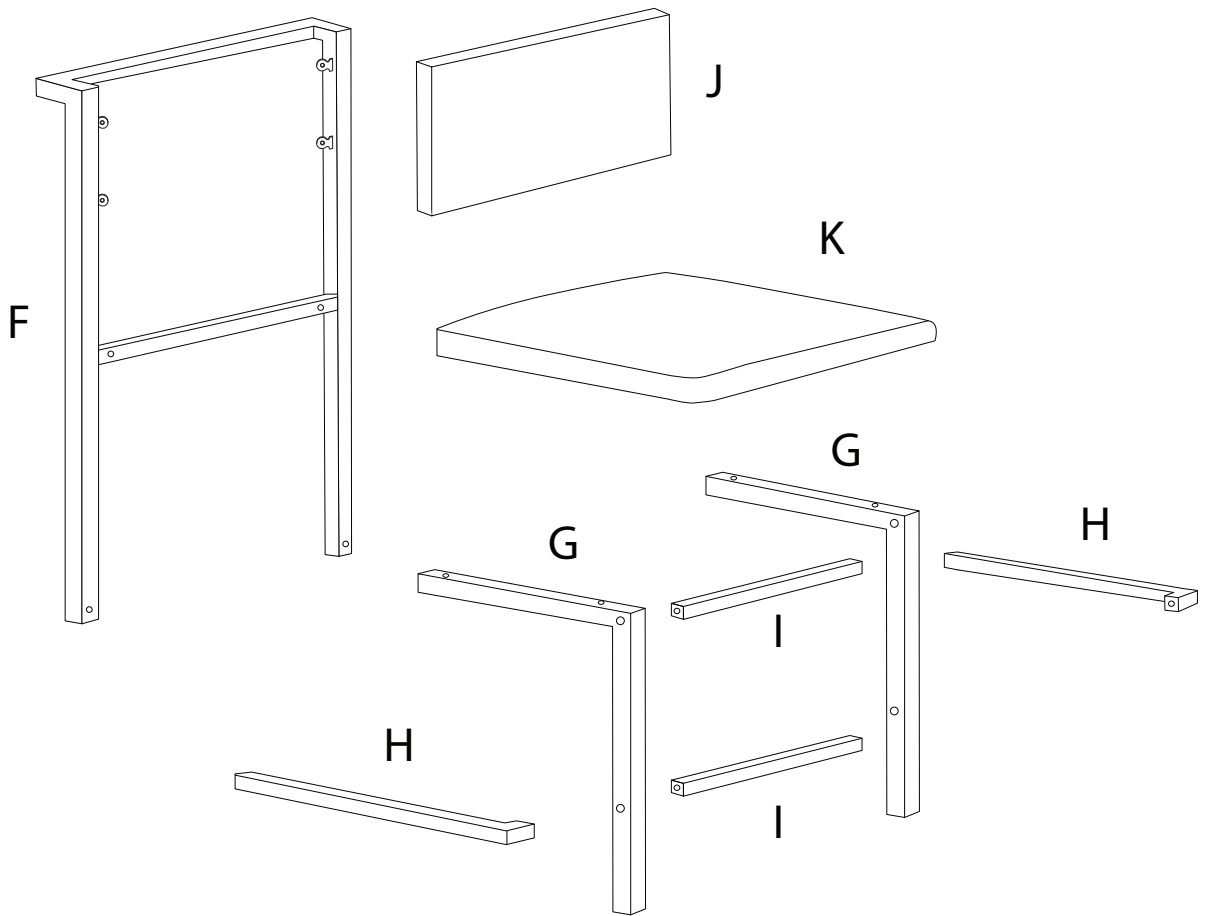
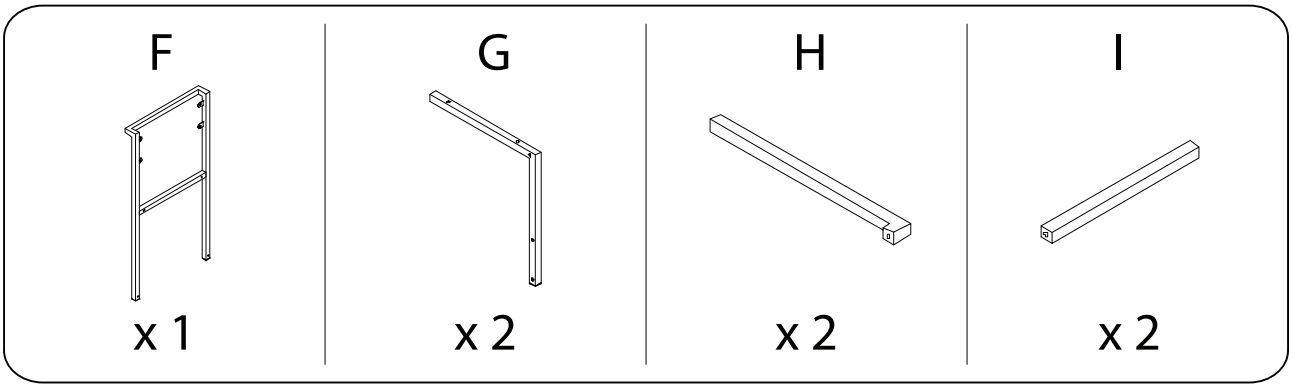
2



3

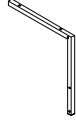


B



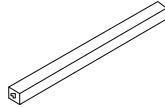
1

G



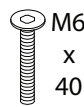
x 2

I



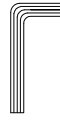
x 2

L

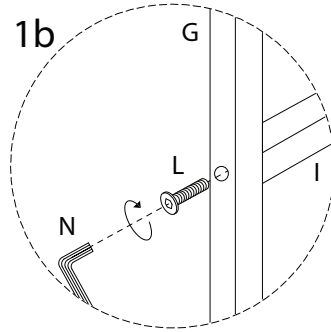
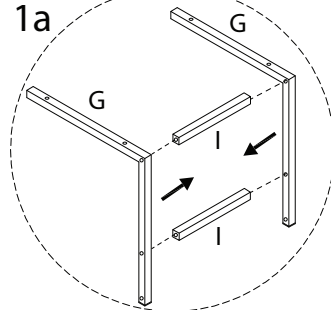
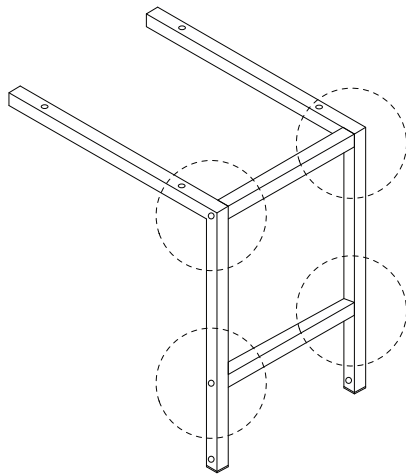


x 4

N

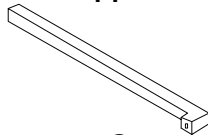


x 1



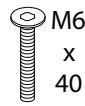
2

H



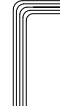
x 2

L

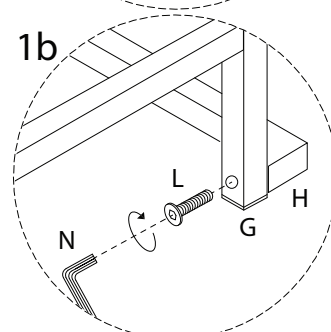
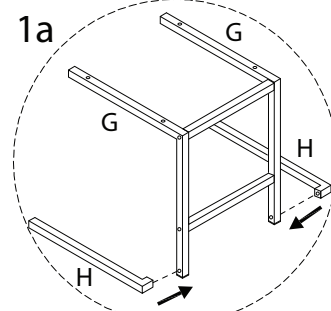
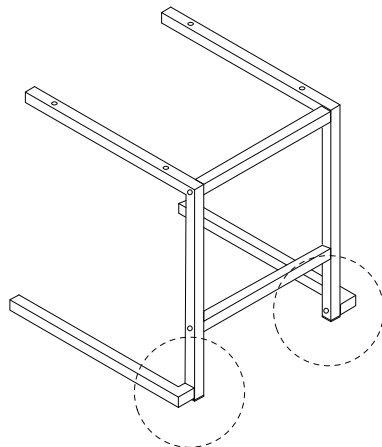


x 2

N

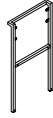


x 1



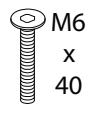
3

F



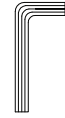
x 1

L

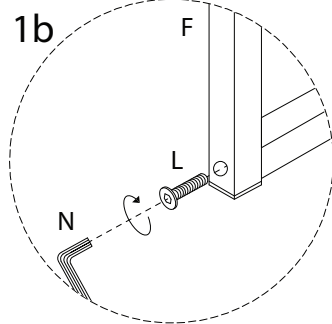
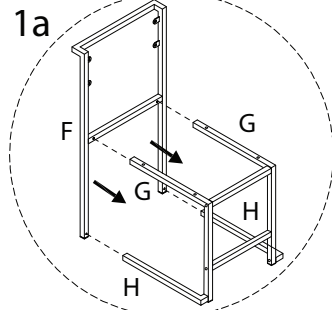
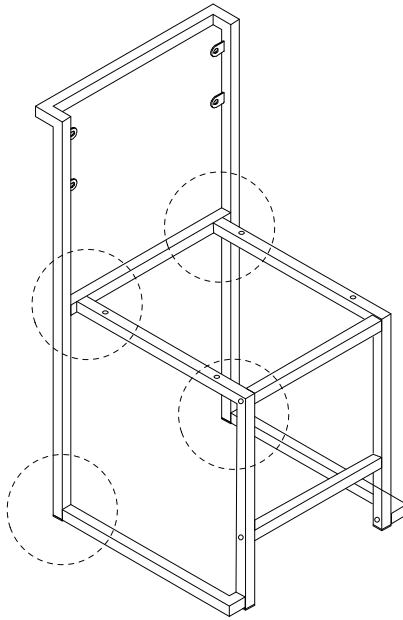


x 4

N



x 1



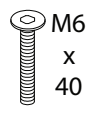
4

J



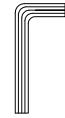
x 1

L

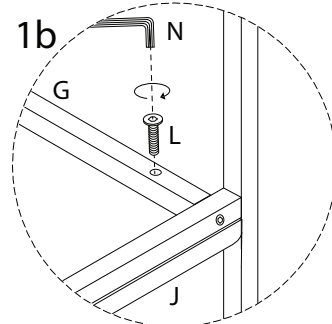
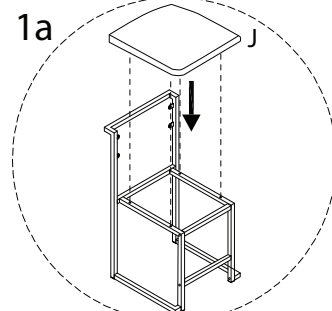
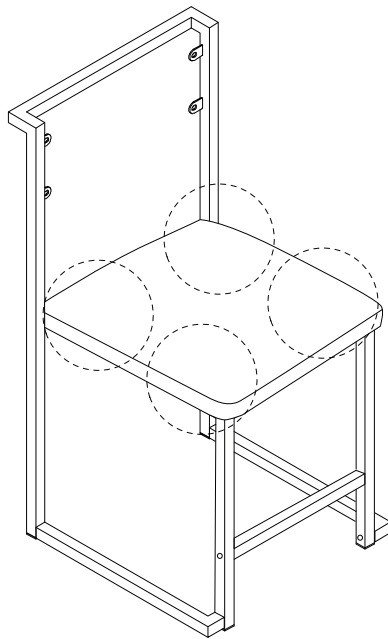


x 4

N



x 1



5

