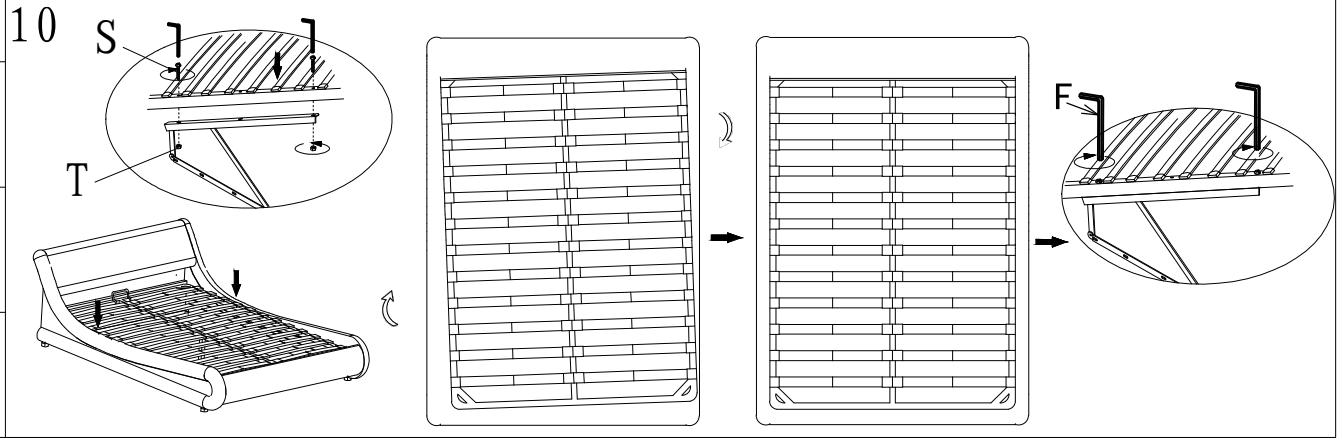
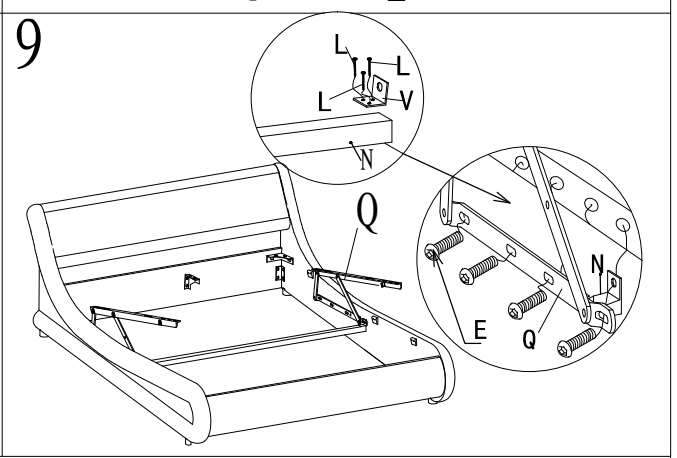
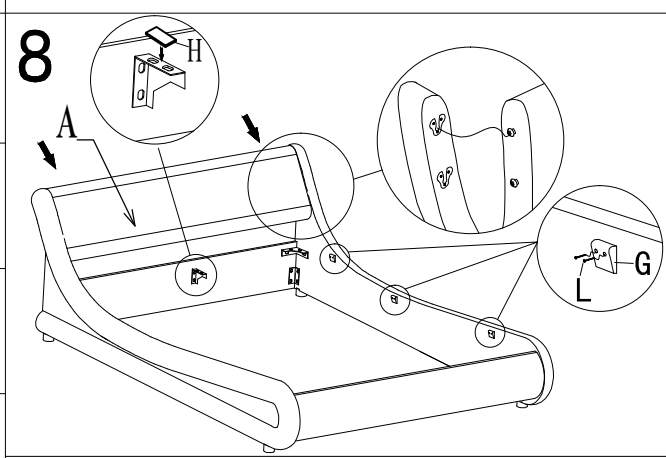
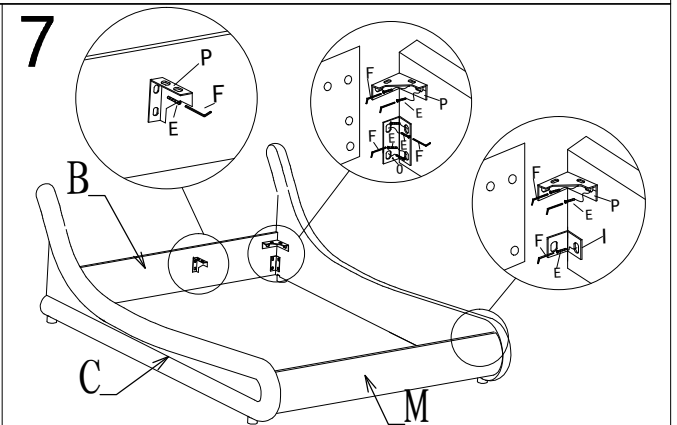
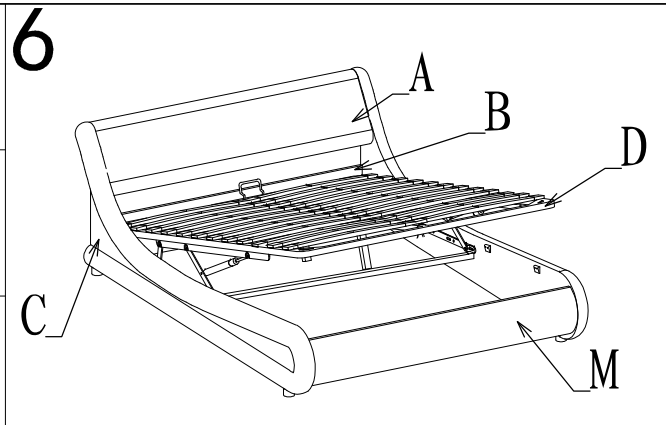
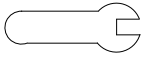


Ax1 	Bx1
Cx2 	Dx1
Ex38 (8*20)	Fx1
Gx6 	Hx1
Ix2 	Jx1
Kx1 	Lx18 (3*20)
Mx1 	Nx1
Ox2 	Px5
Qx2 85cm	Rx2
Sx4 (8*50)	Tx4



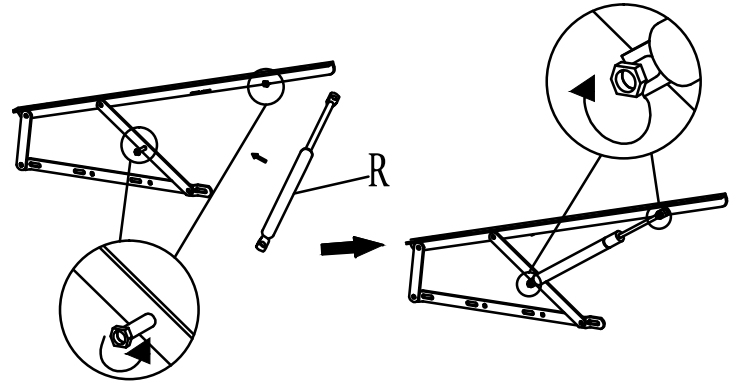
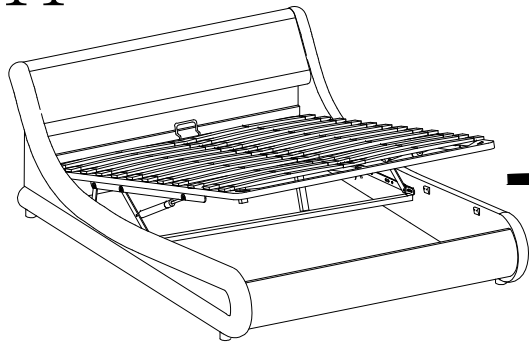
Ux1



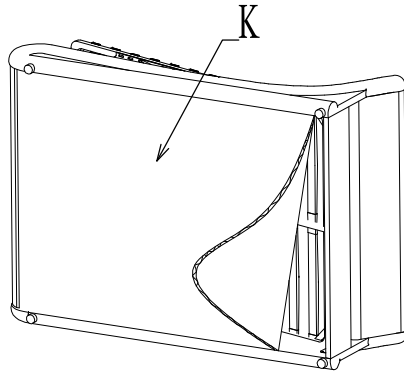
Vx2



11



12



13

