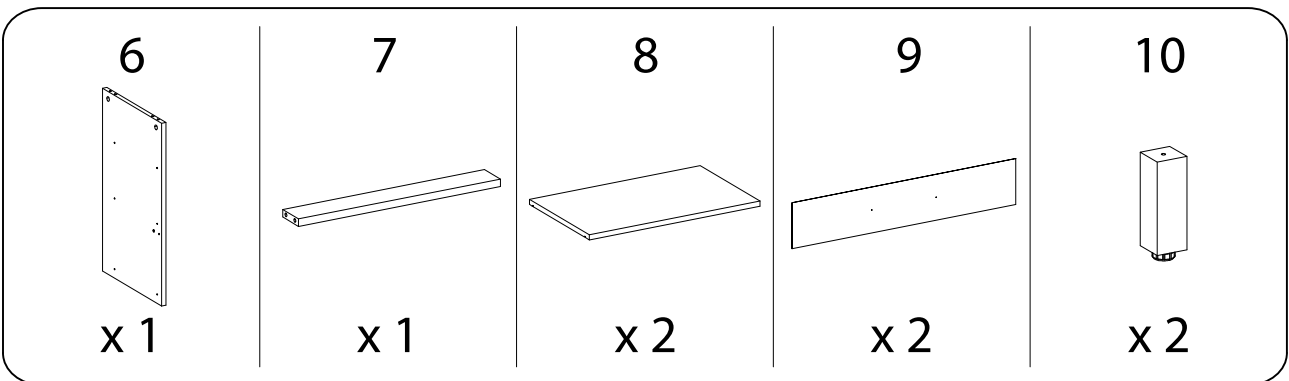
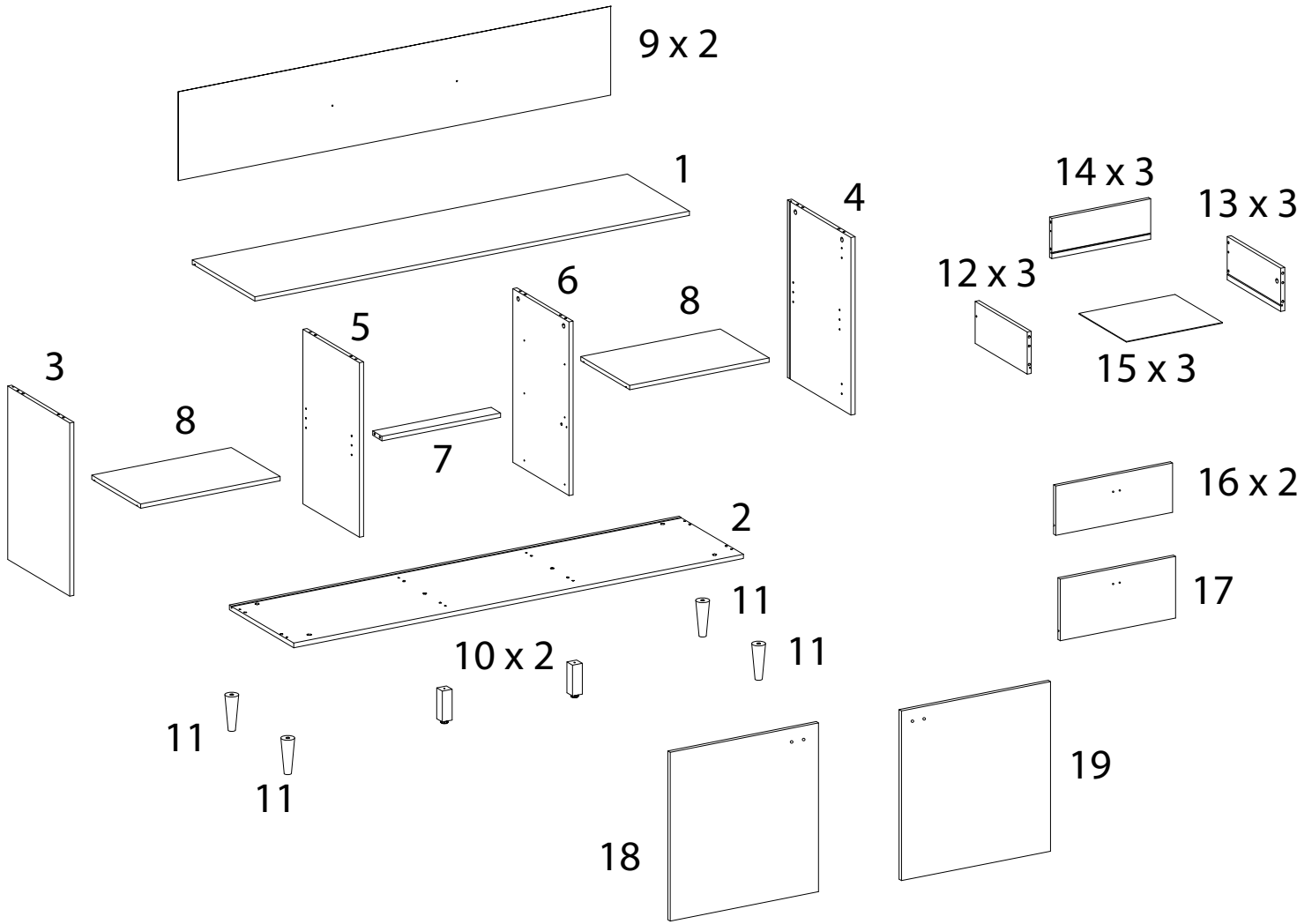
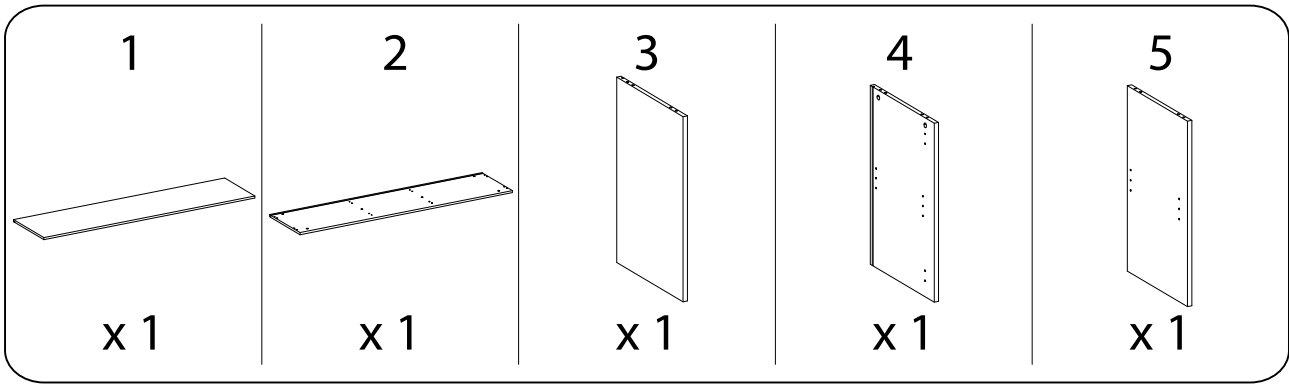


90'



2

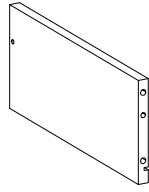


11



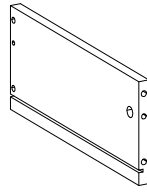
x 4

12



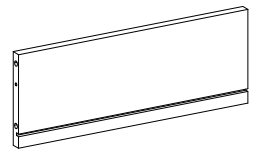
x 3

13



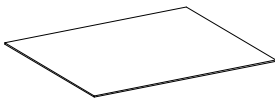
x 3

14



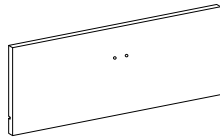
x 3

15



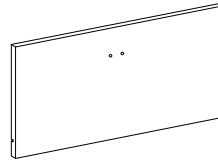
x 3

16



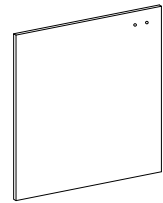
x 2

17



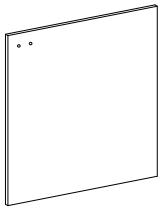
x 1

18



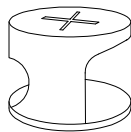
x 1

19



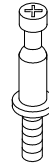
x 1

A



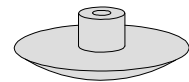
x 16

B



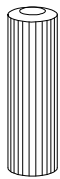
x 16

C



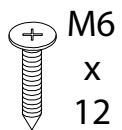
x 4

D



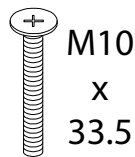
x 42

E



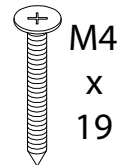
x 12

F



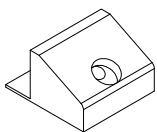
x 16

G



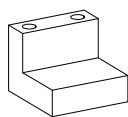
x 20

H



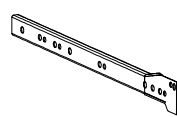
x 20

I



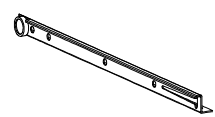
x 5

J1

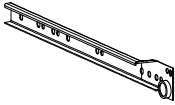
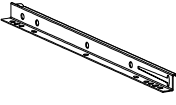
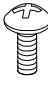
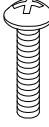
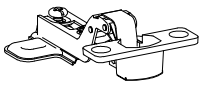
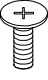
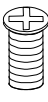
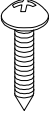
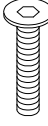

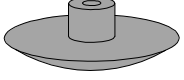
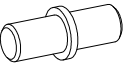




x 3

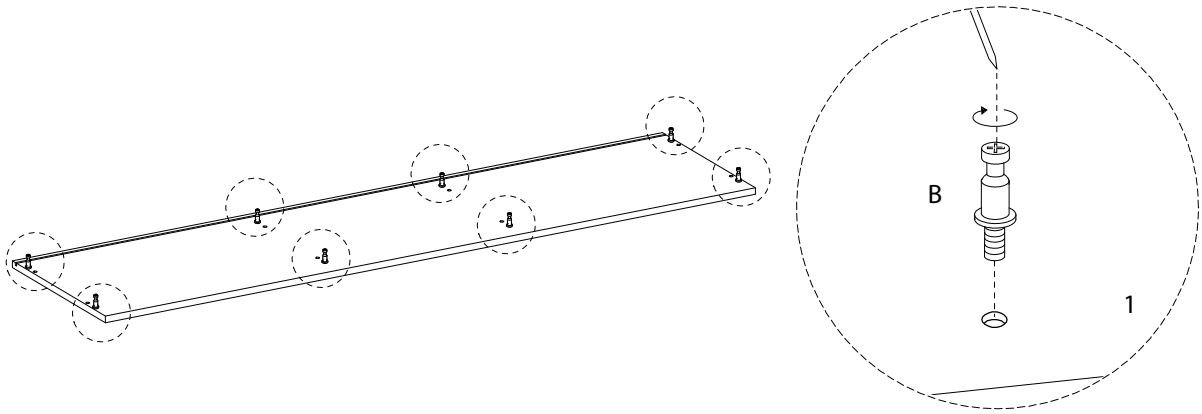
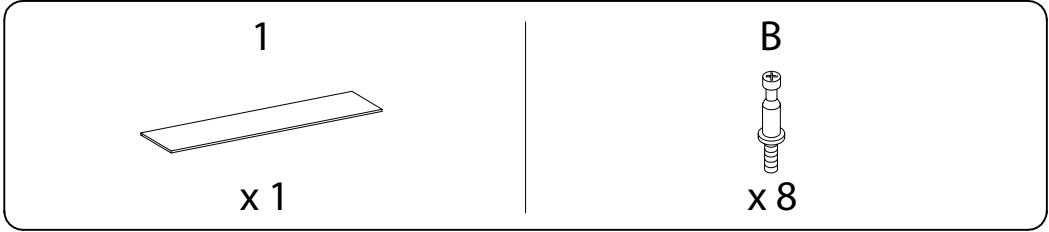
J2



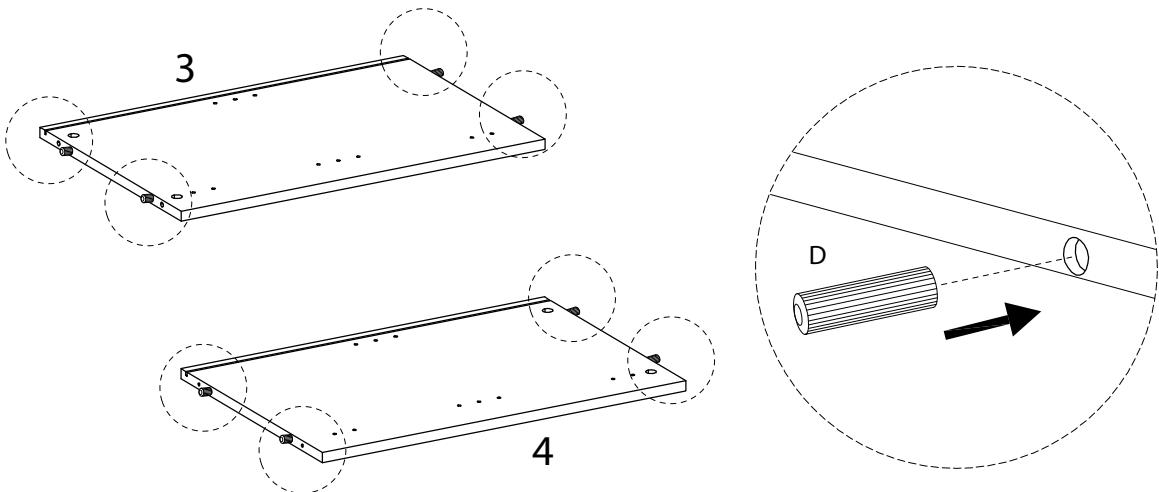
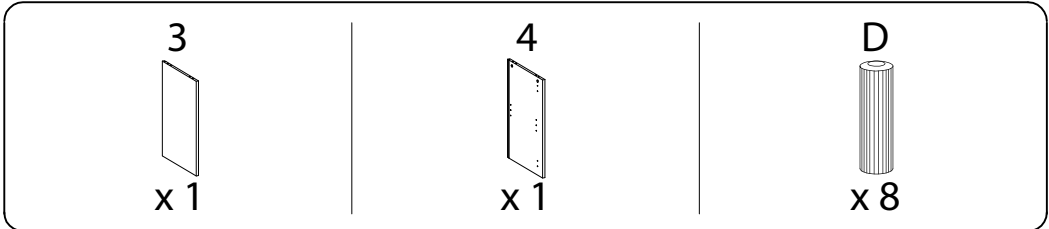
x 3

<p>J3</p>  <p>x 3</p>	<p>J4</p>  <p>x 3</p>	<p>K</p>  <p>M4 x 10</p> <p>x 8</p>	<p>L</p>  <p>M4 x 20</p> <p>x 10</p>	
<p>M1</p>  <p>x 4</p>	<p>M2</p>  <p>x 8</p>	<p>N</p>  <p>M6 x 8</p> <p>x 12</p>	<p>O</p>  <p>M3 x 12</p> <p>x 6</p>	<p>P</p>  <p>M6 x 30</p> <p>x 4</p>
<p>Q</p>  <p>x 1</p>	<p>R</p>  <p>x 12</p>	<p>S</p>  <p>x 8</p>	<p>T</p>  <p>x 2</p>	<p>U</p>  <p>x 1</p>

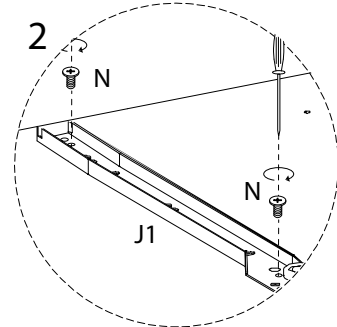
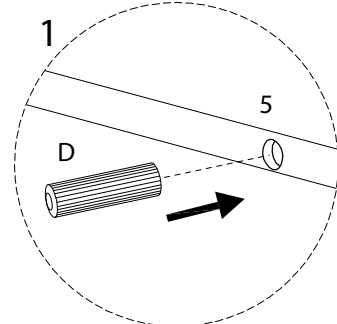
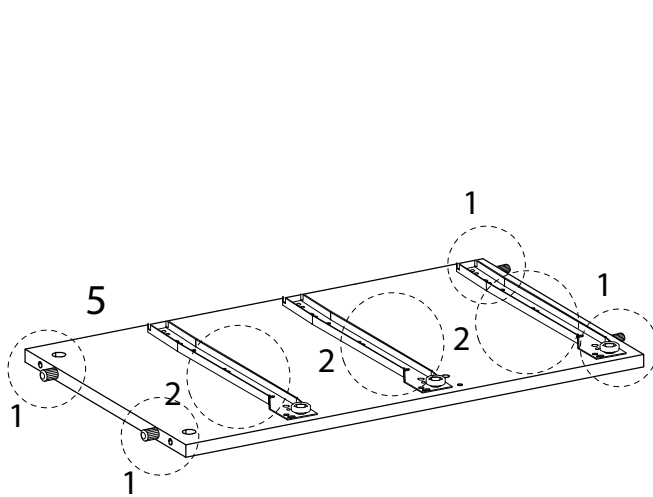
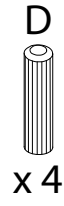
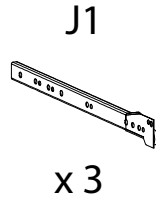
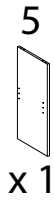
1



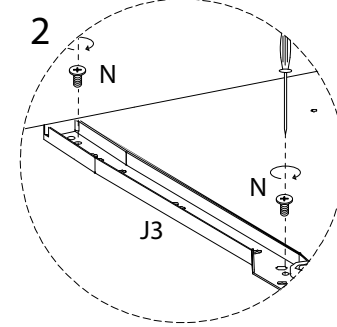
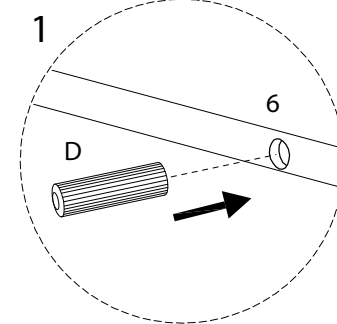
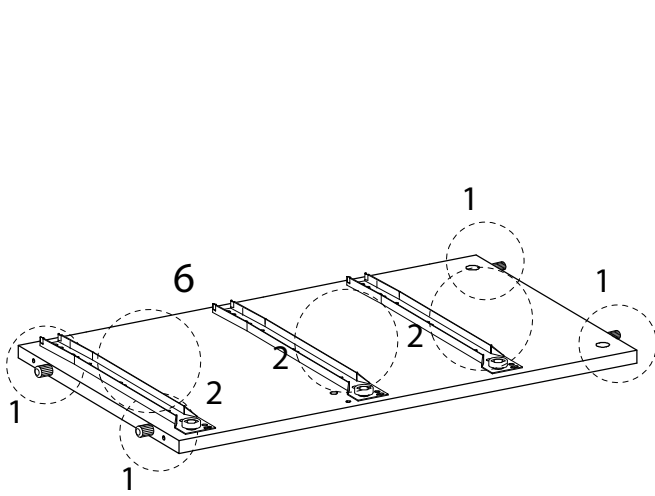
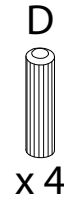
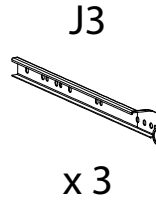
2



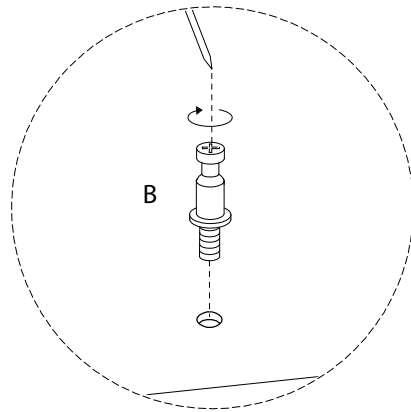
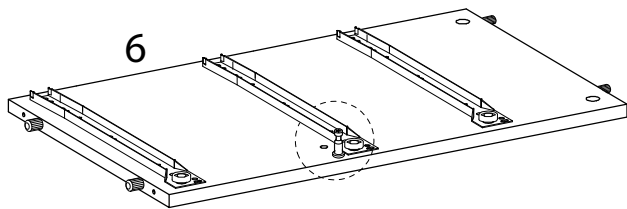
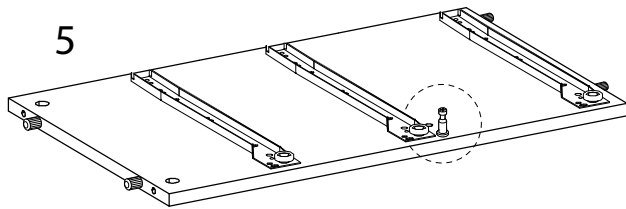
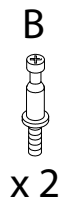
3



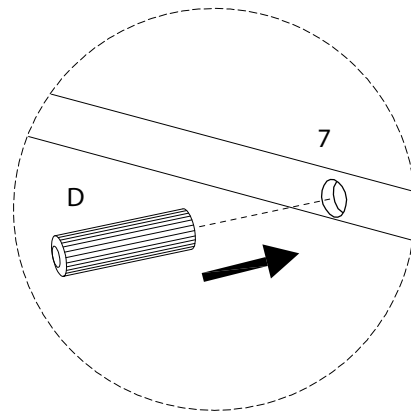
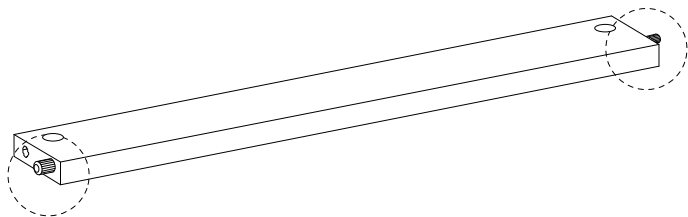
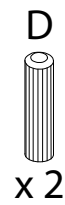
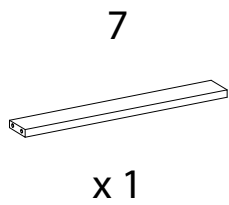
4



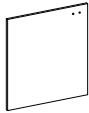

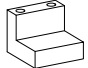

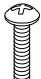

5

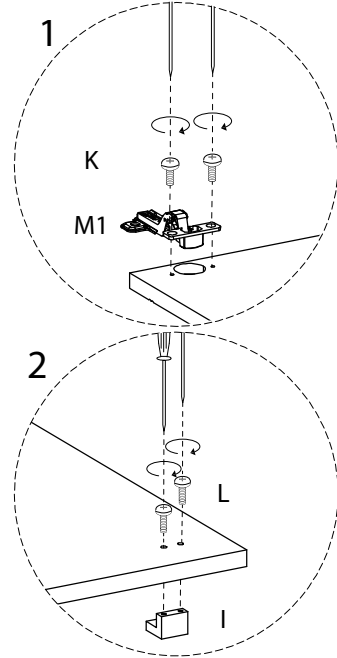
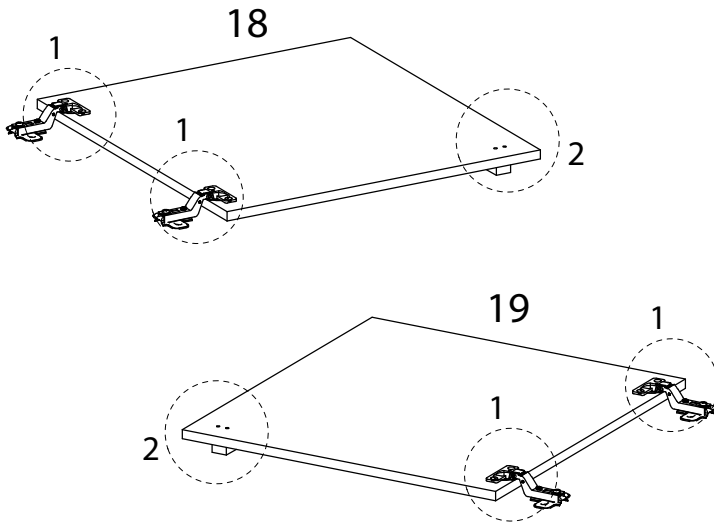


6

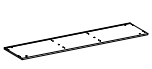


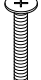
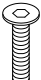
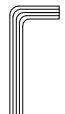


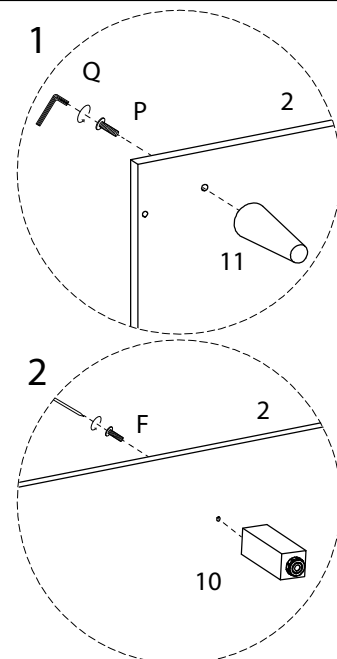
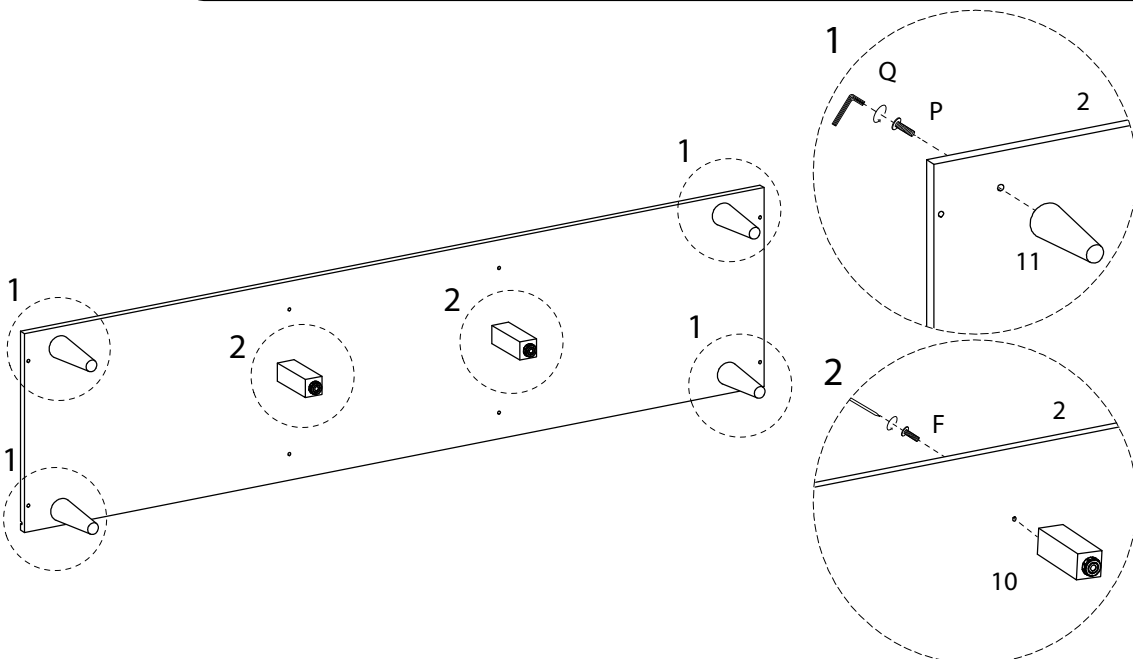
7

18  x 1	19  x 1	I  x 2	K  M4 x 10 x 8	L  M4 x 20 x 4	M1  x 4
---	---	--	--	--	---

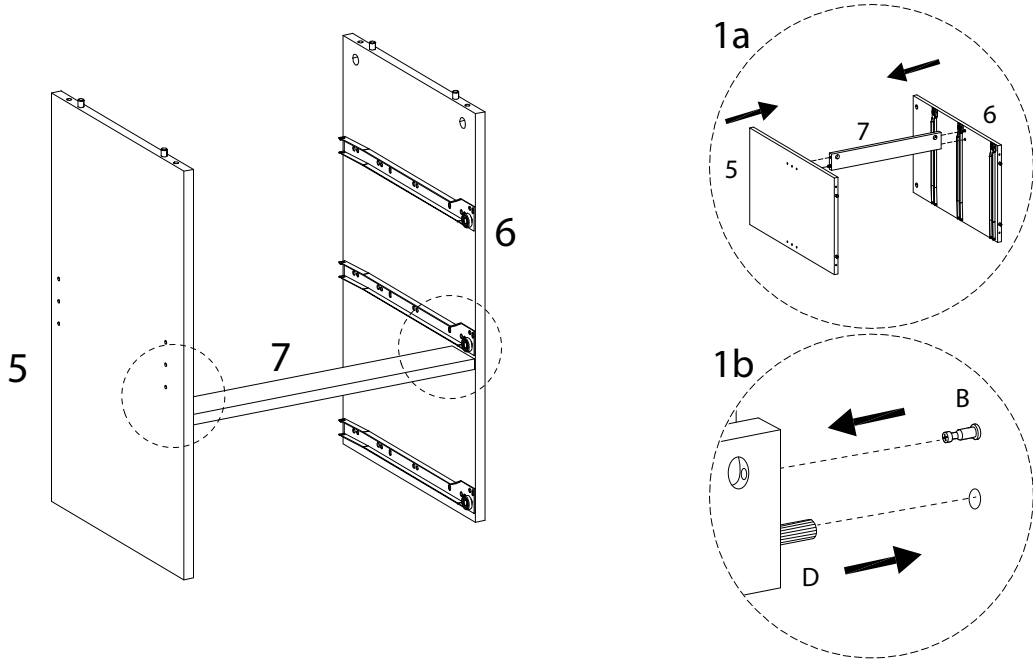


8

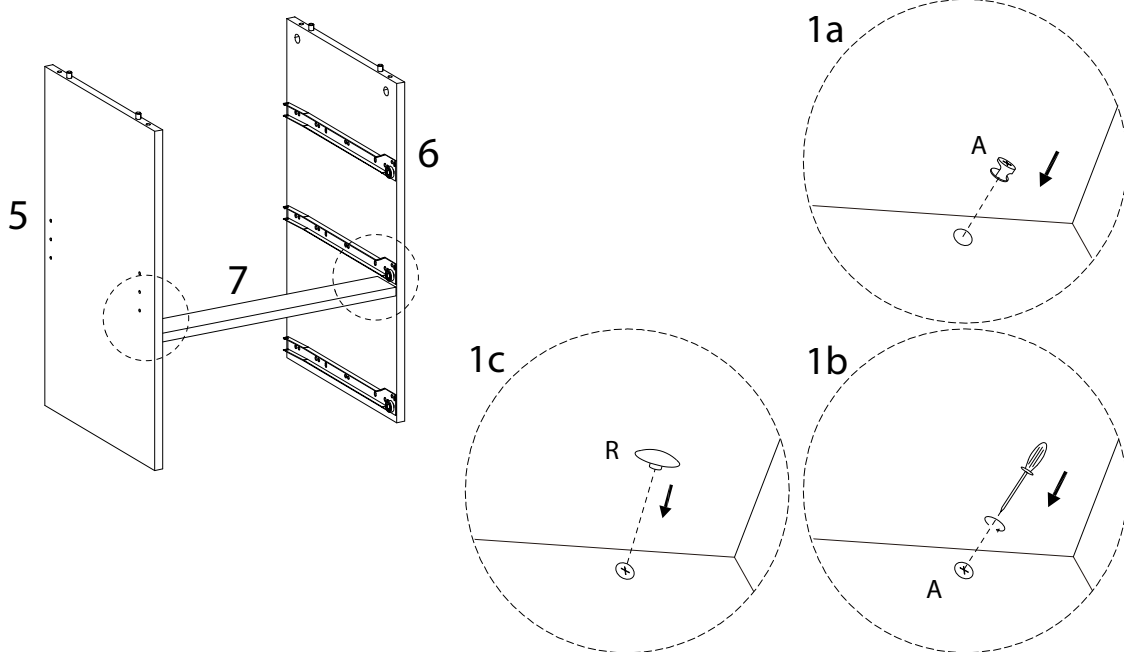
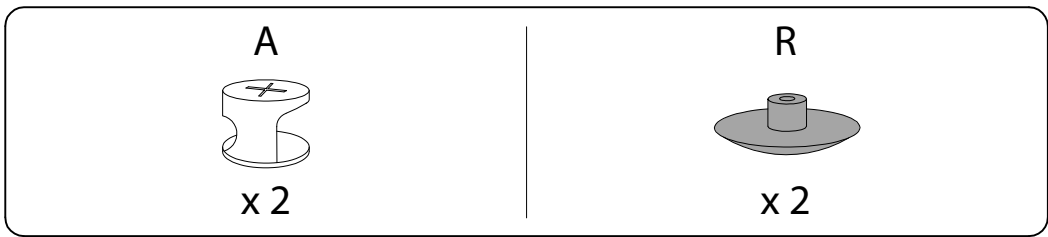
2  x 1	10  x 2	11  x 4	F  M10 x 33.5 x 2	P  M6 x 30 x 4	Q  x 1
--	---	---	---	--	--



9

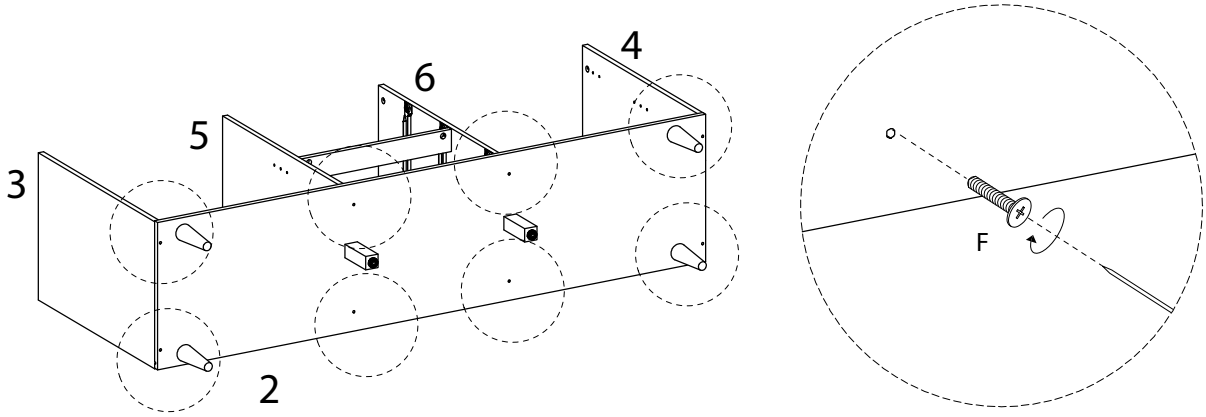


10



11

F
M10
x
33.5
x 8



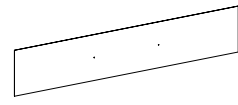
12

U

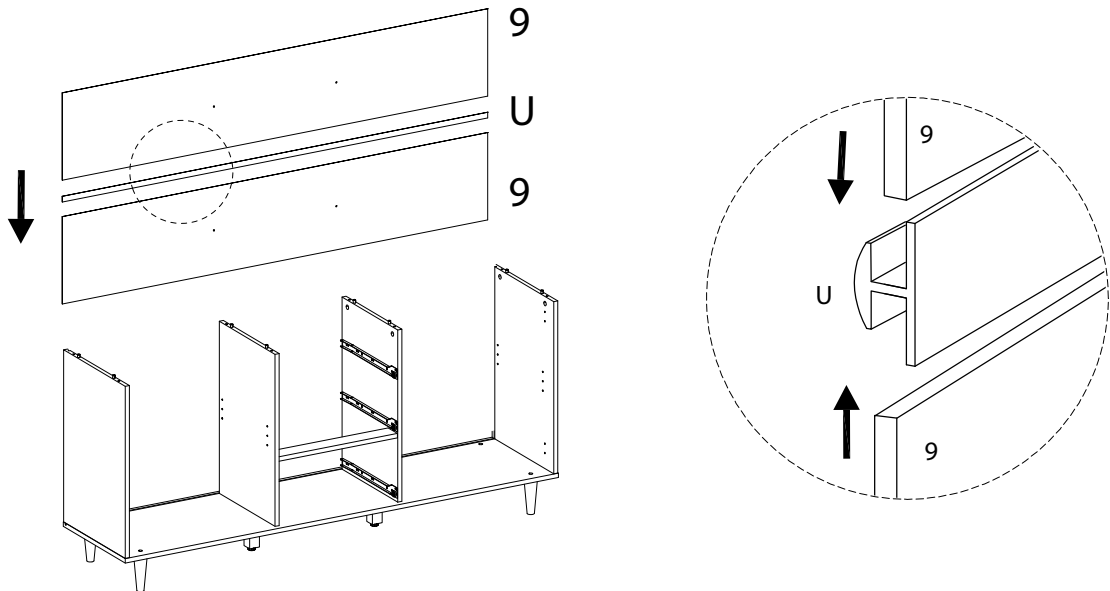


x 1

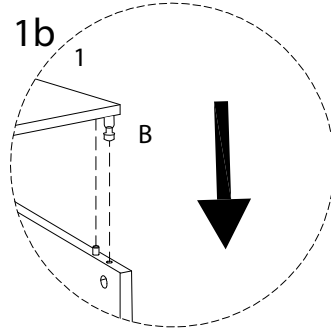
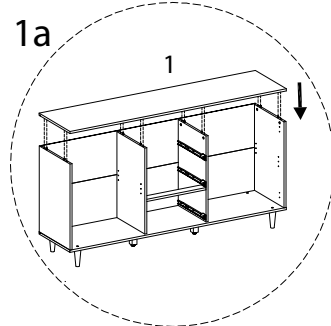
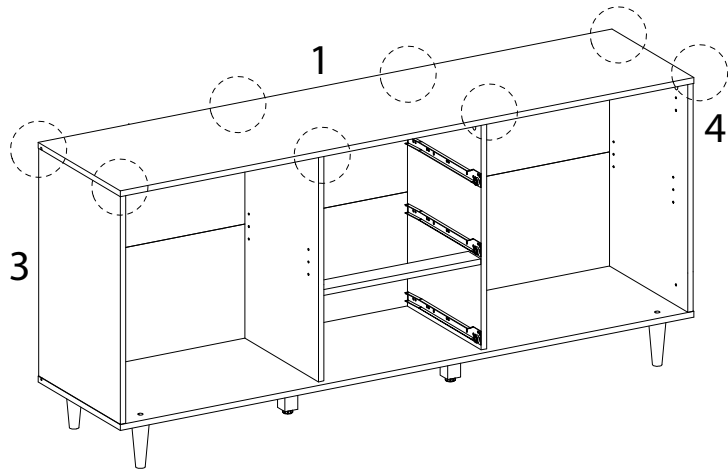
9



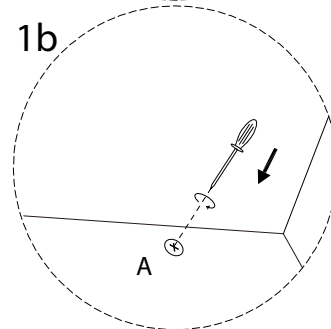
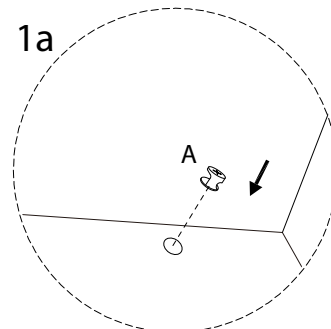
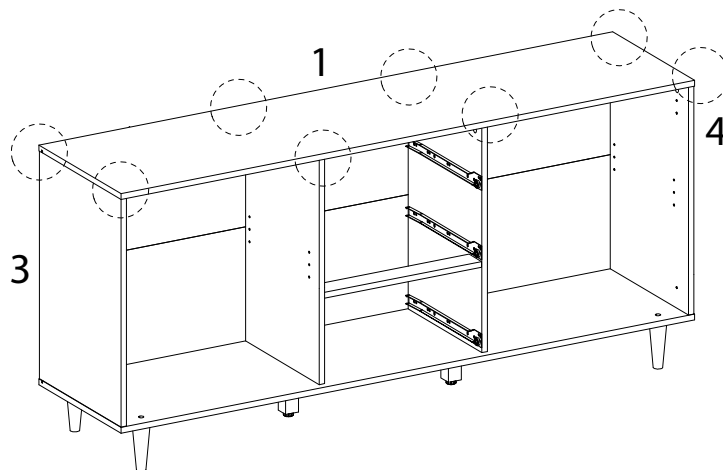
x 2



13

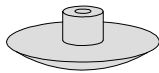


14



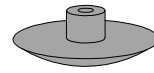
15

C

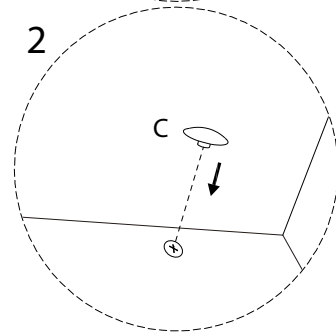
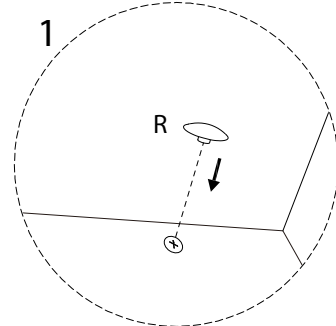
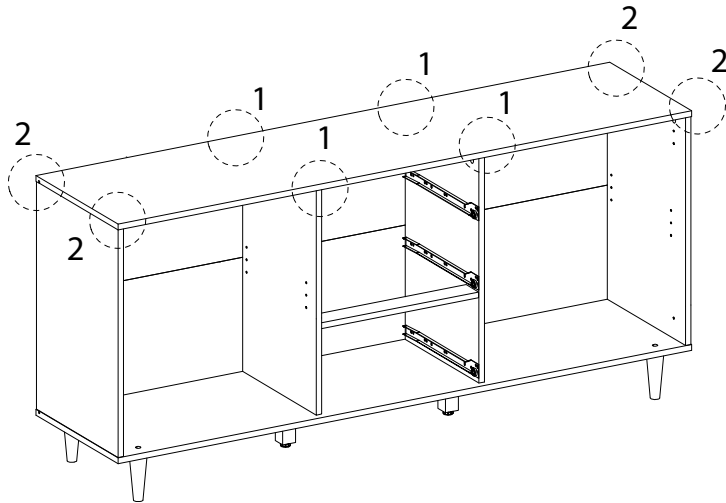


x 4

R

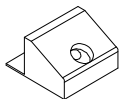


x 4



16

H

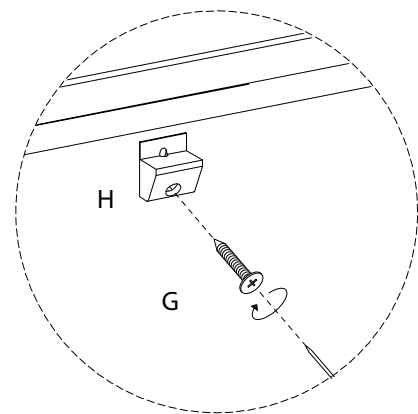
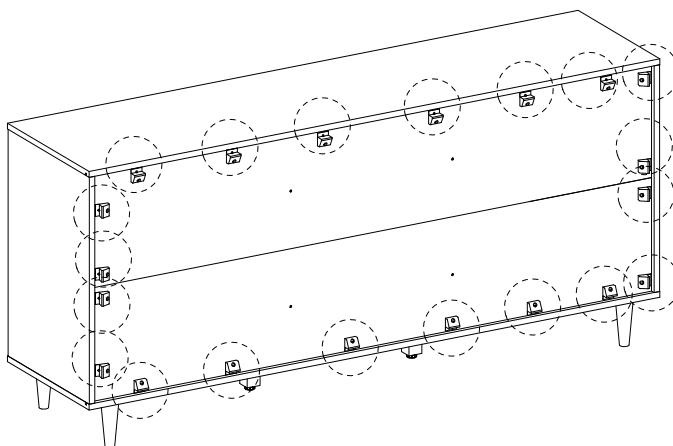


x 20

G



x 20



17

O

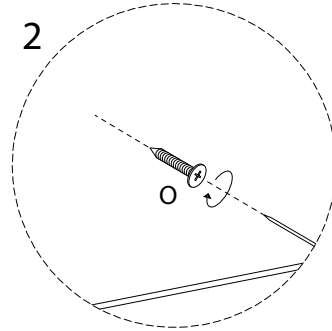
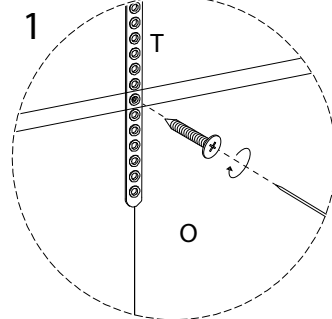
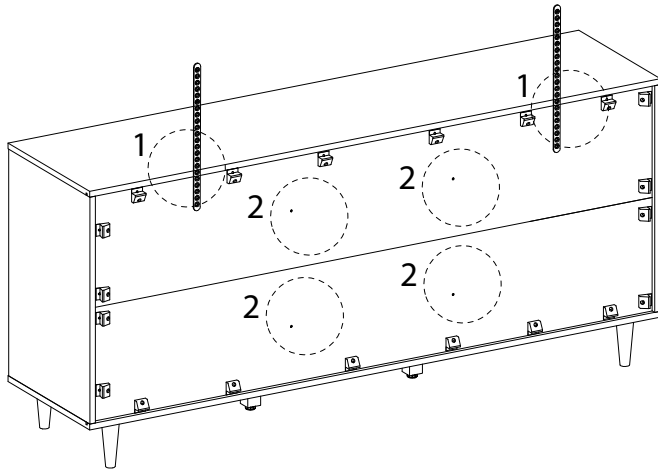


x 6

T

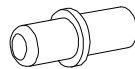


x 2

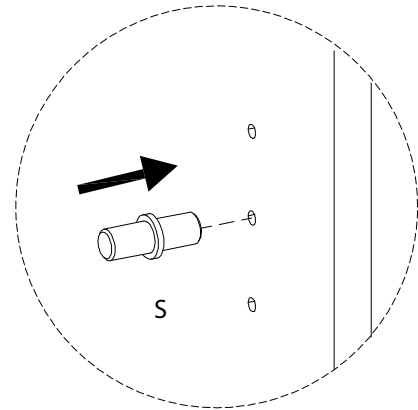
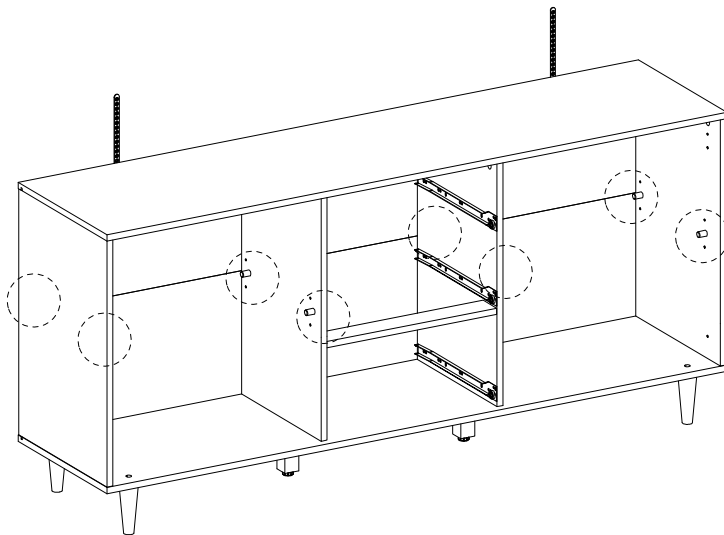


18

S

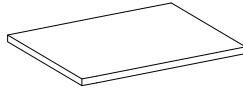


x 8

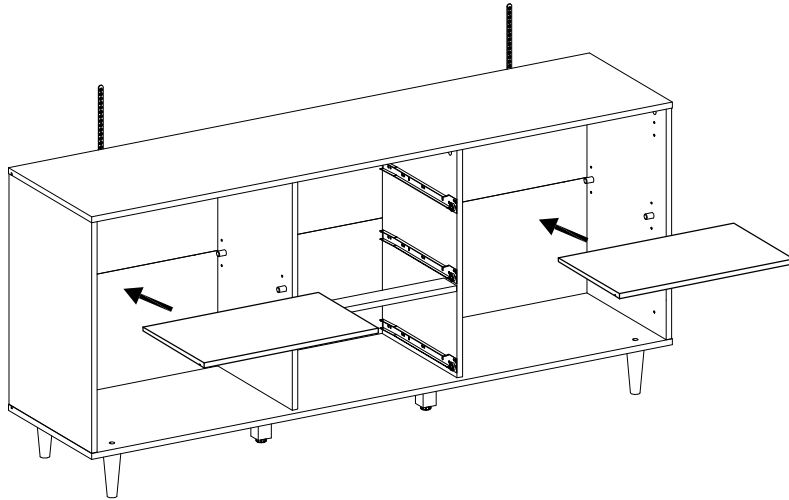


19

8



x 2

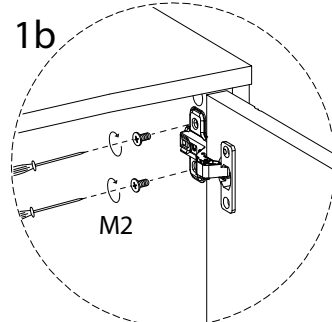
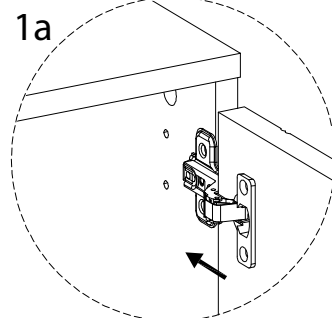
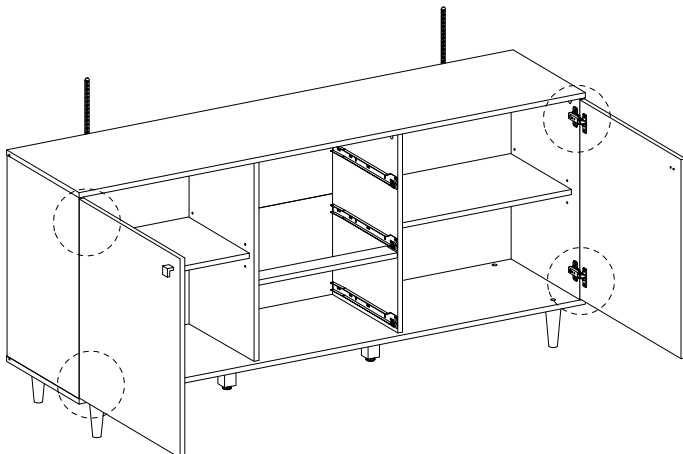


20

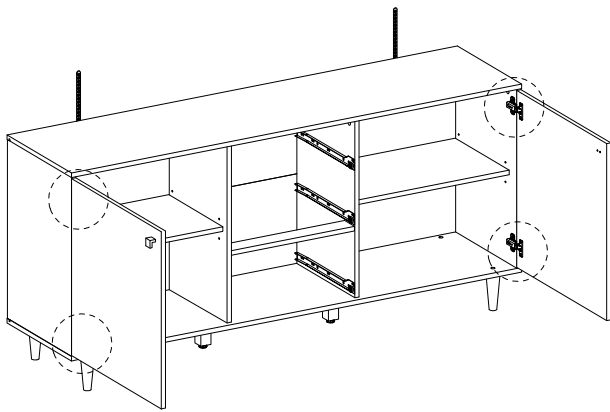
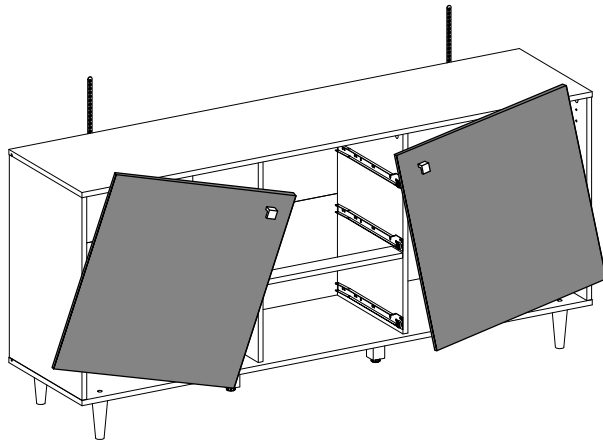
M2



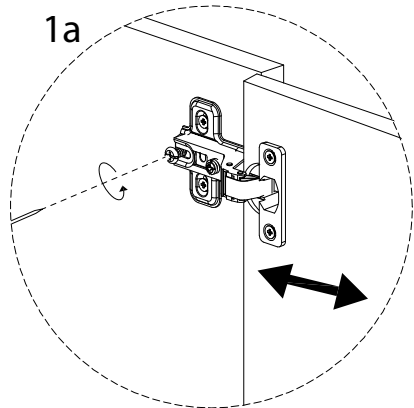
x 8



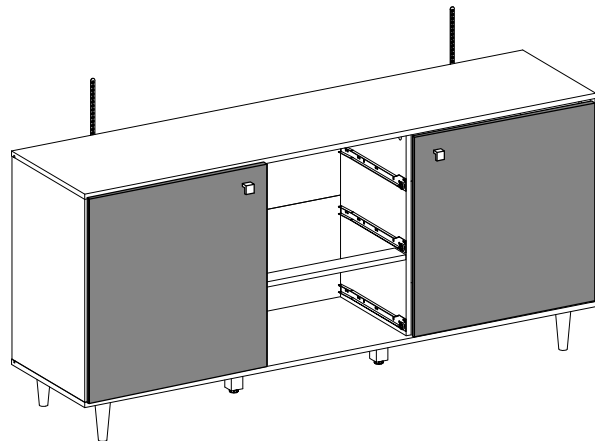
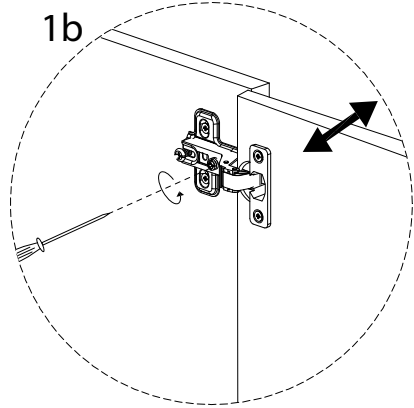
!



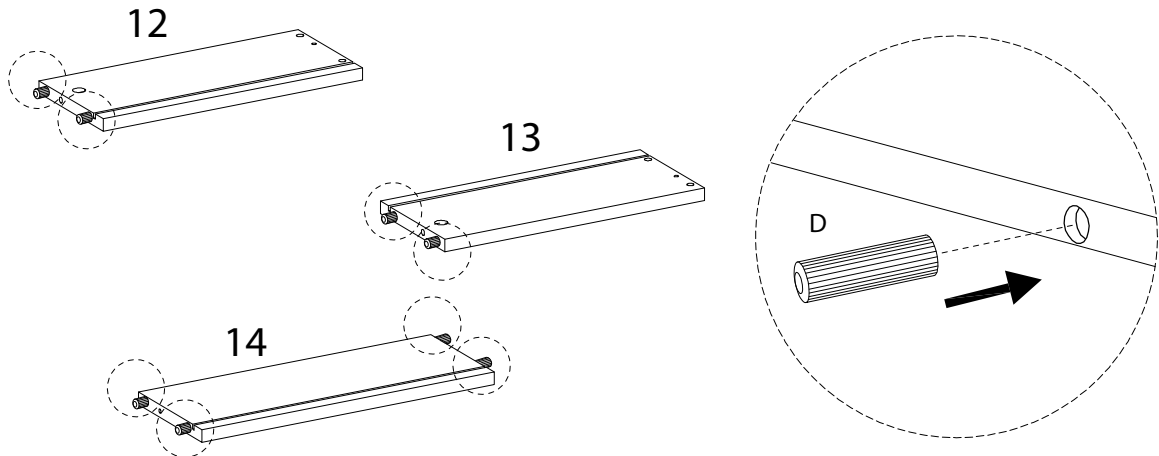
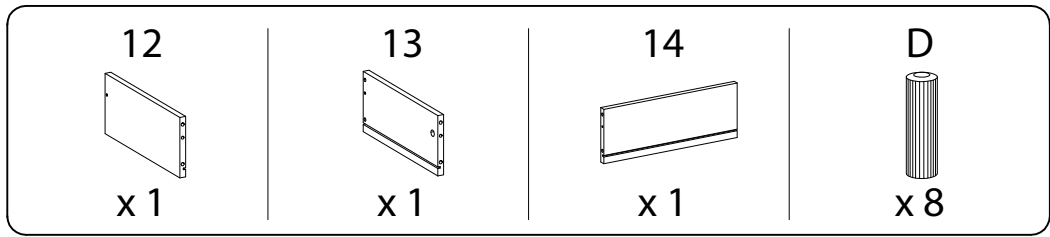
1a



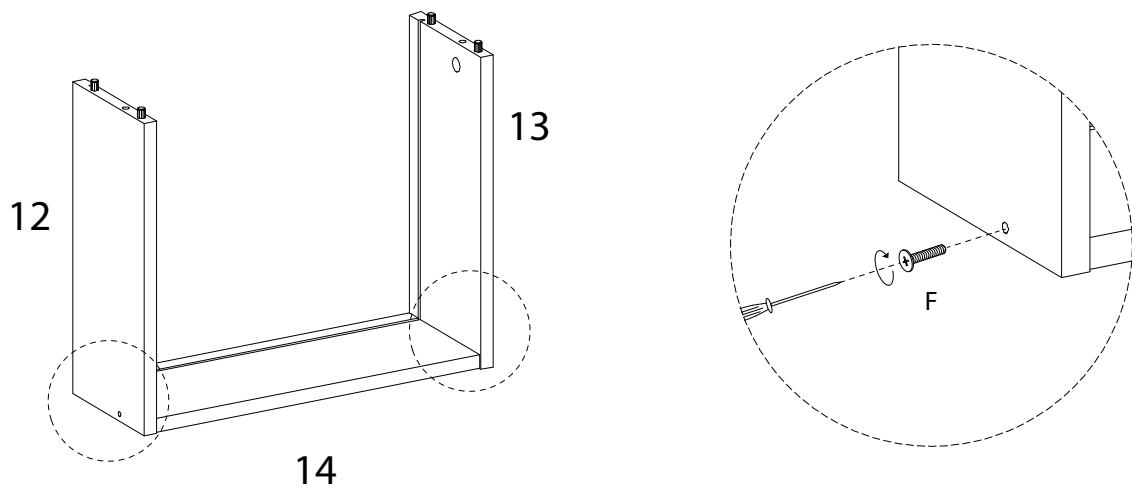
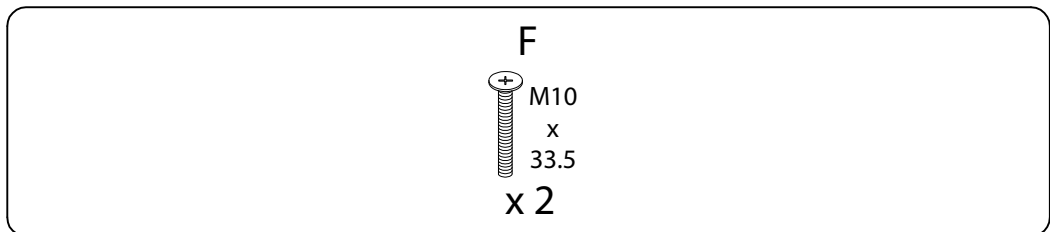
1b



21 x 3



22 x 3

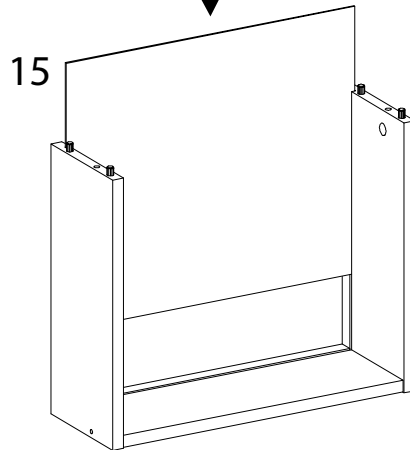


23 x 3

15

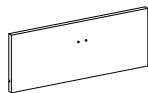


x 1



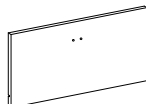
24

16



x 2

17



x 1

B



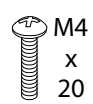
x 6

I

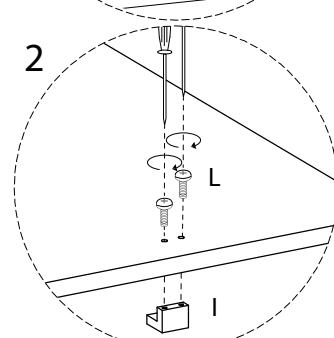
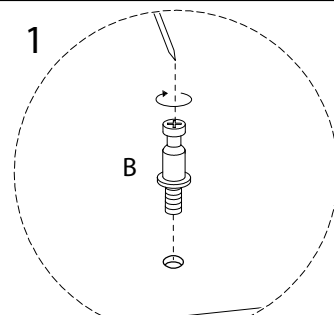
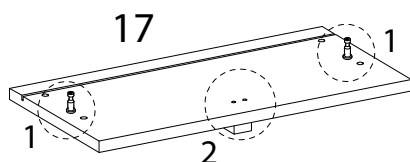
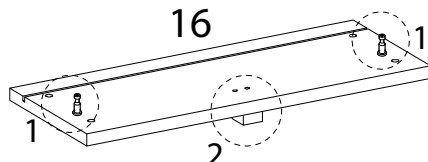
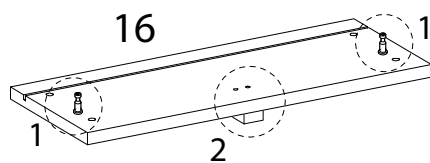


x 3

L



x 6

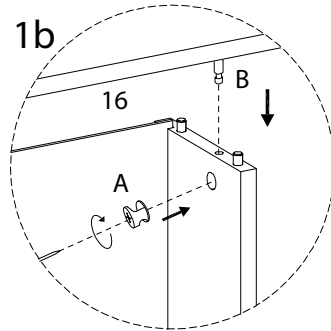
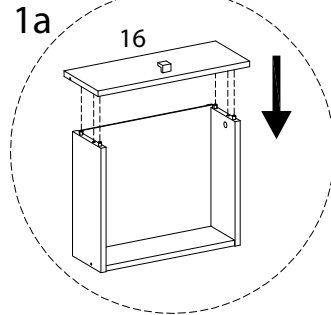
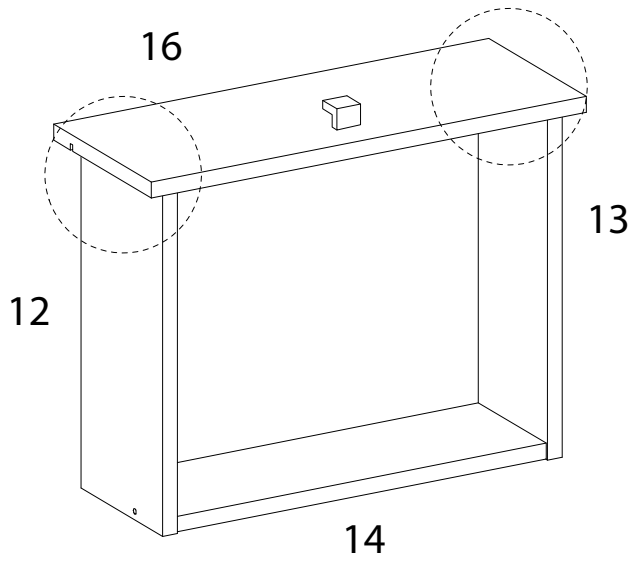


25 x 2

A



x 2

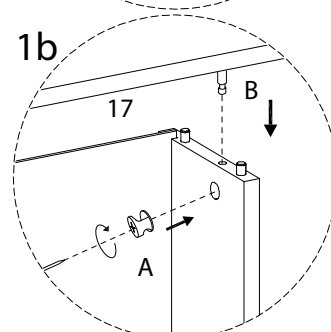
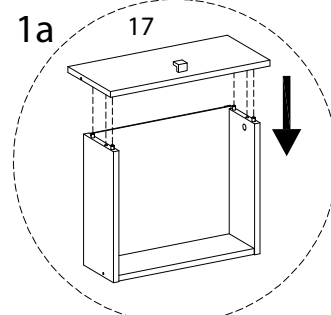
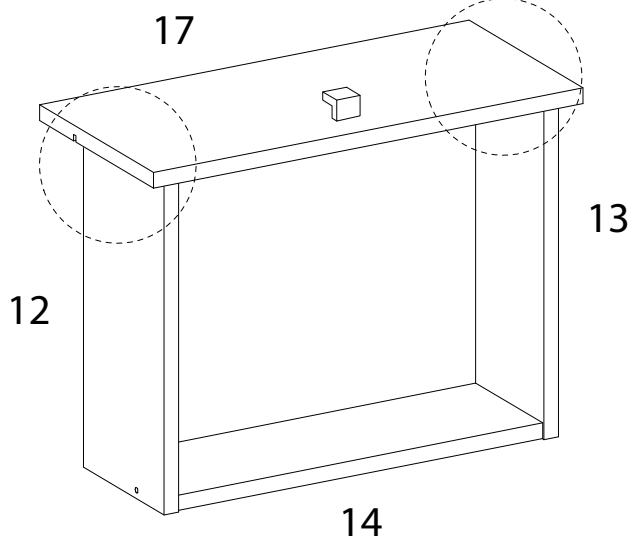


26

A

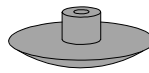


x 2



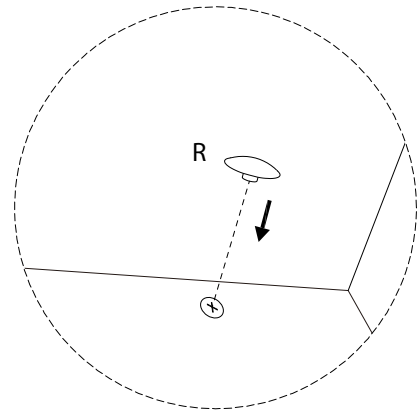
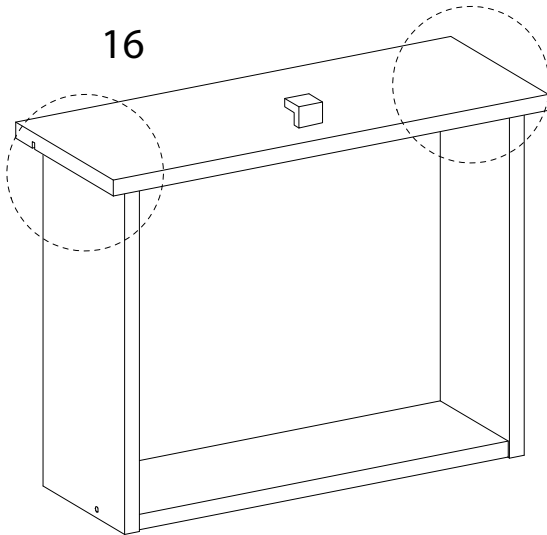
27 x 2

R



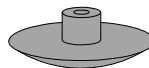
x 2

16



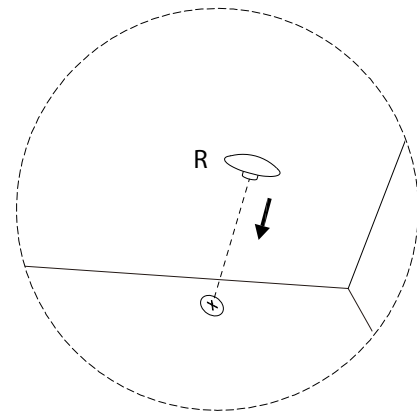
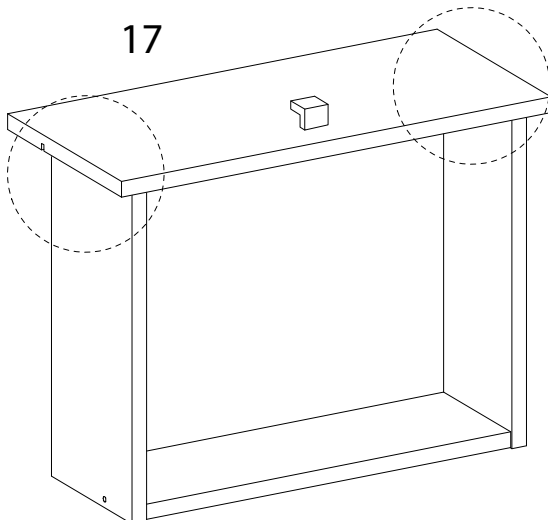
28

R



x 2

17



29 x 3

E



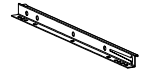
x 4

J2

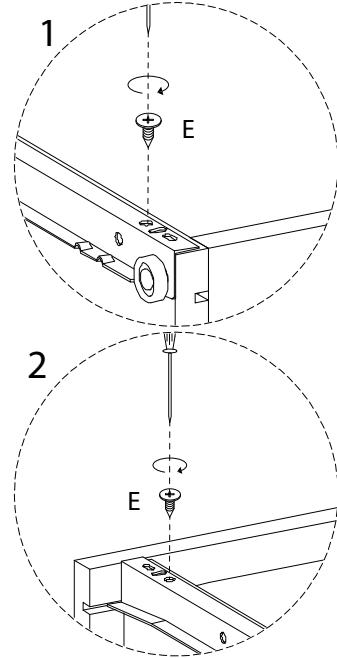
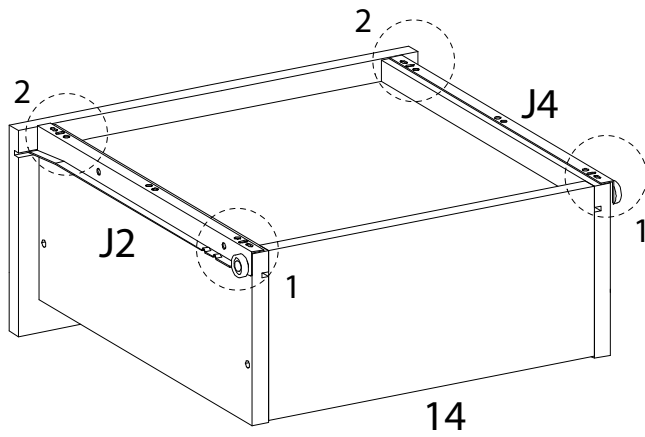


x 1

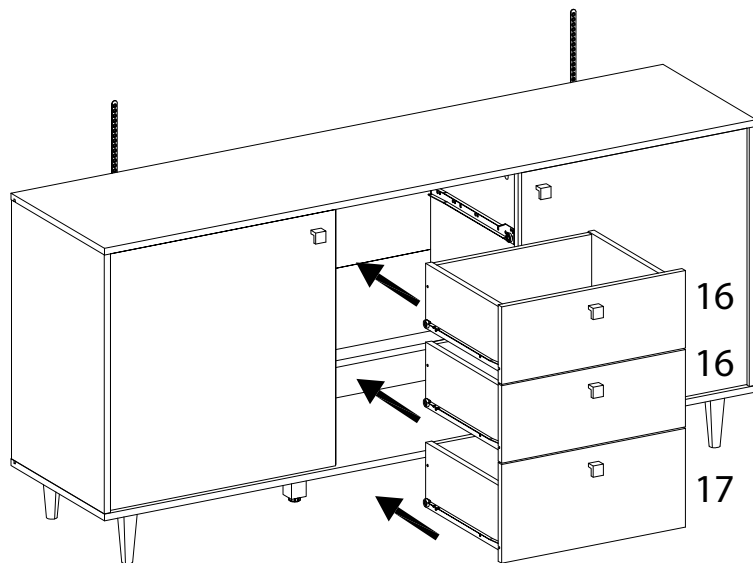
J4



x 1



30



!

