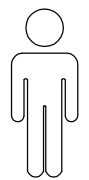
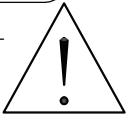
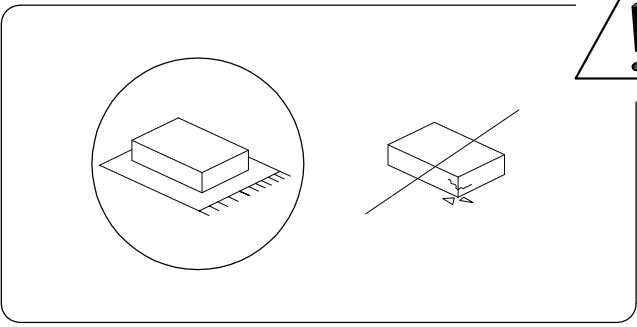
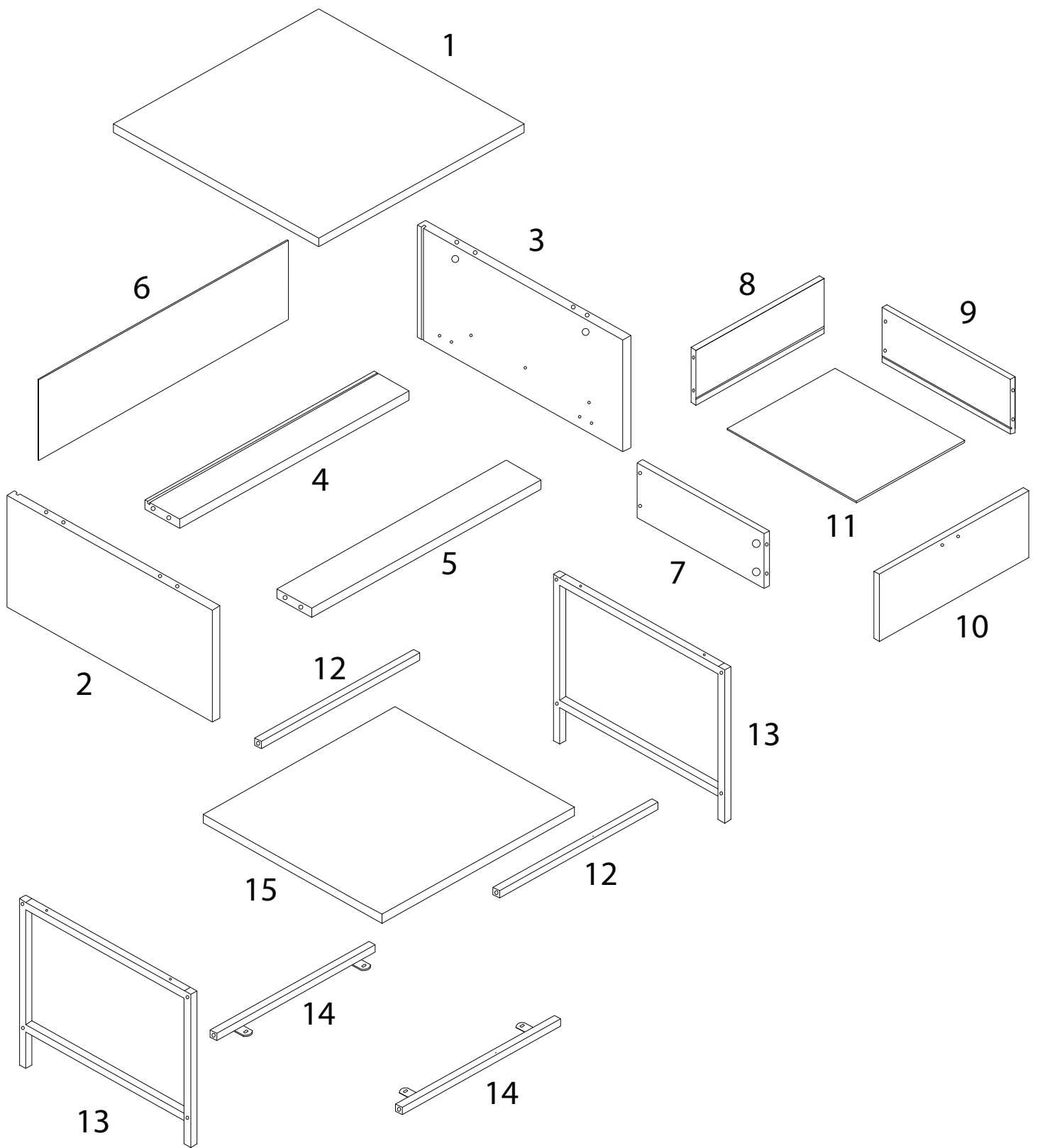
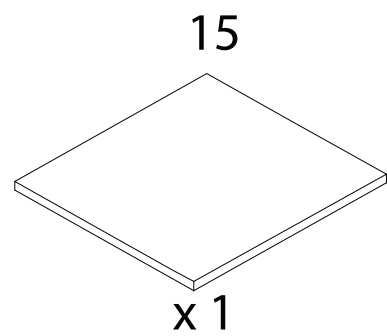
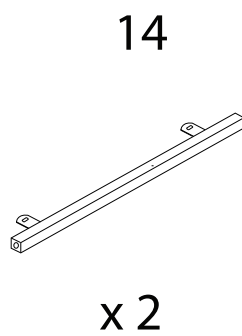
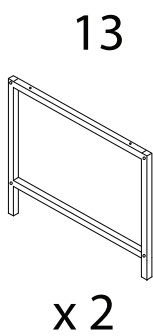
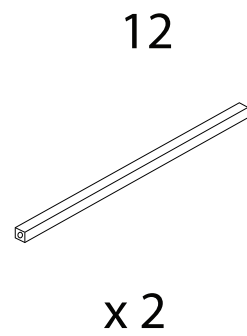
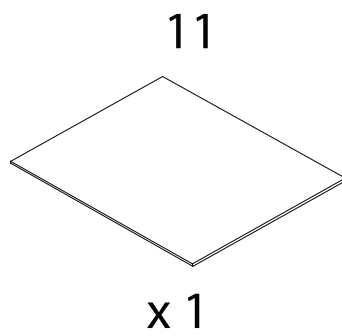
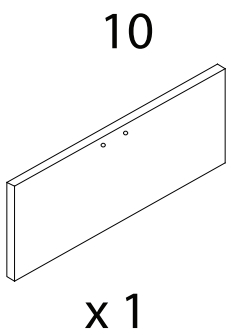
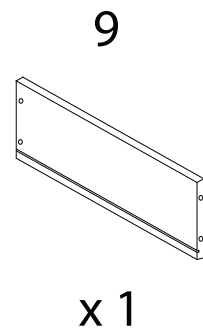
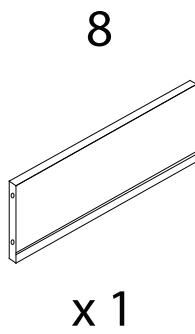
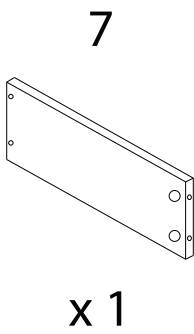
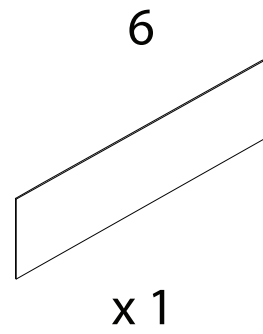
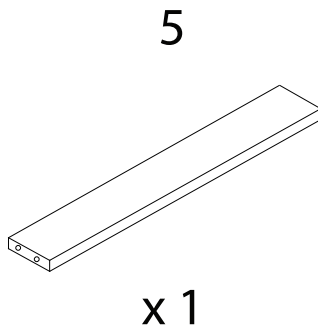
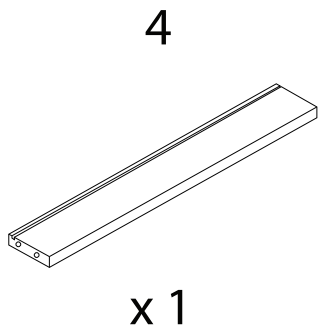
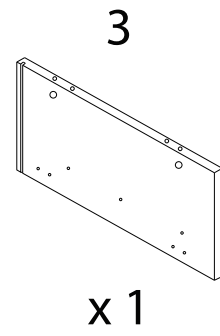
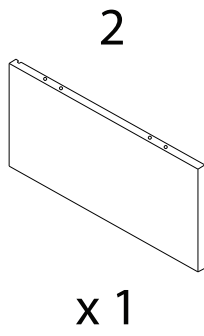
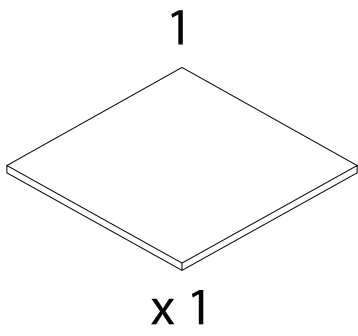


30'

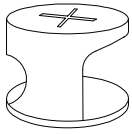


1



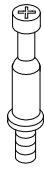


A



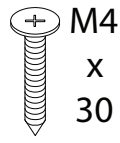
x 12

B



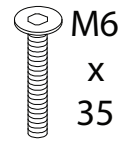
x 12

C



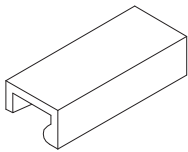
x 4

D



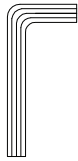
x 8

E



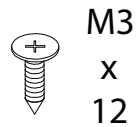
x 1

F



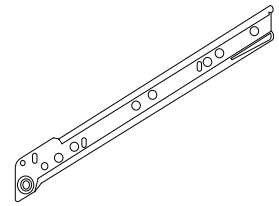
x 1

G



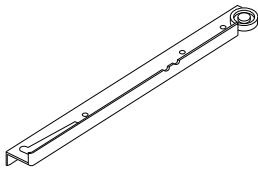
x 20

H1



x 2

H2



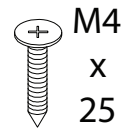
x 2

I



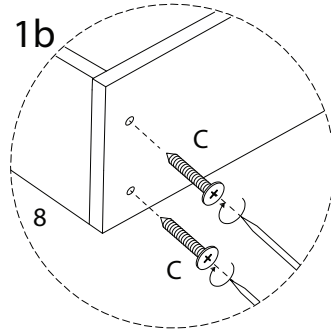
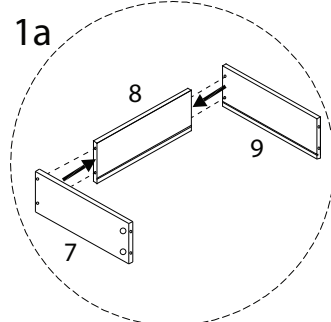
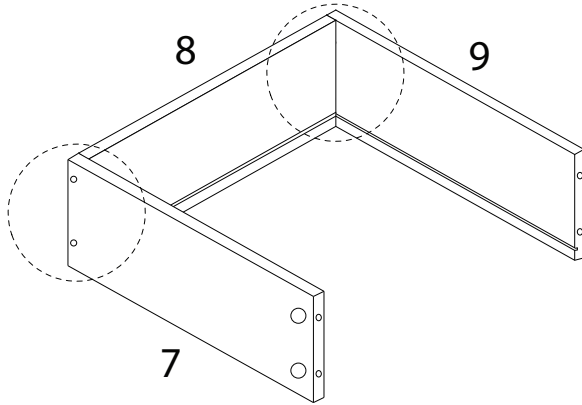
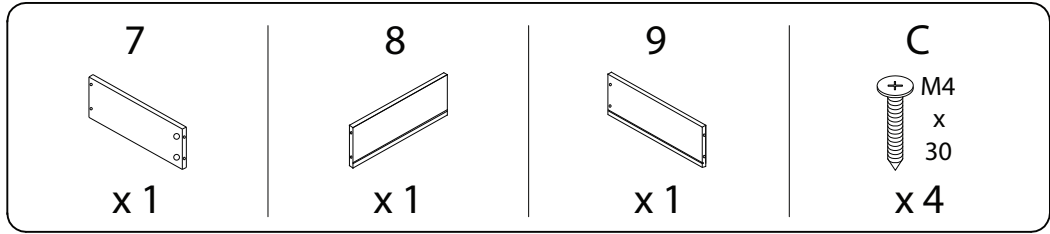
x 8

J

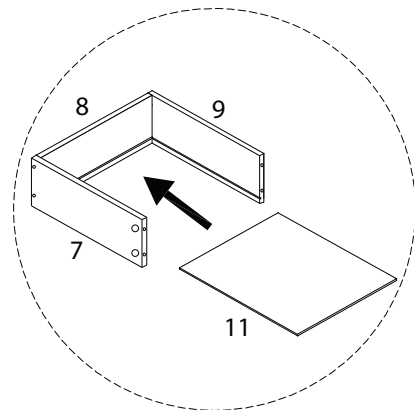
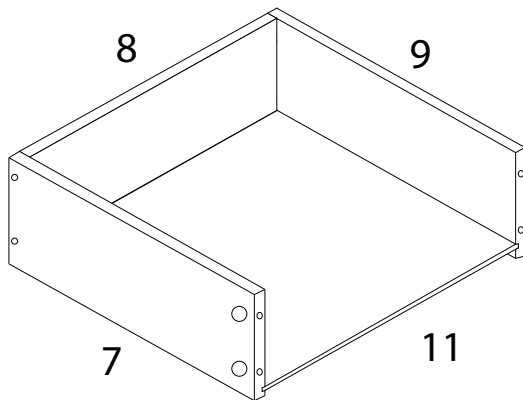
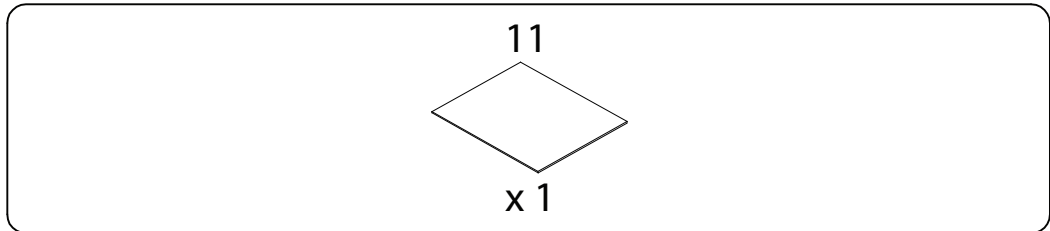


x 4

1

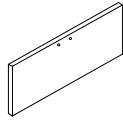


2



3

10

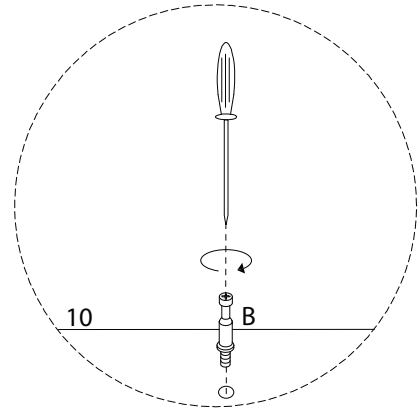
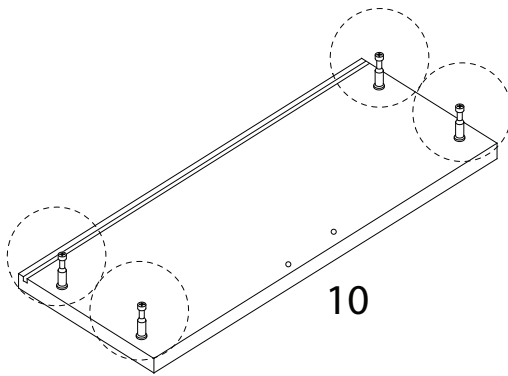


x 1

B

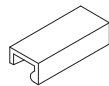


x 4



4

E



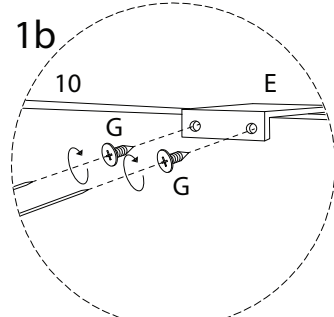
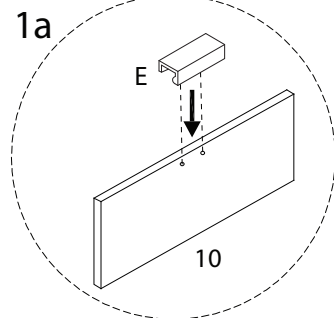
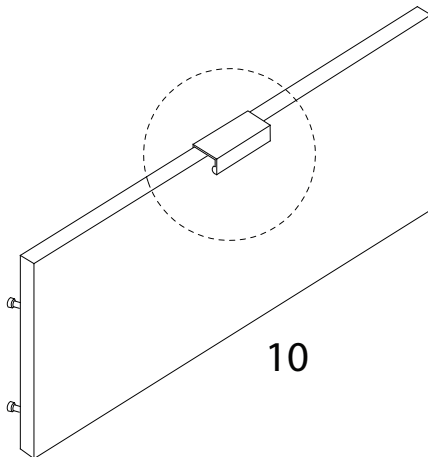
x 1

G



M3
x
12

x 2

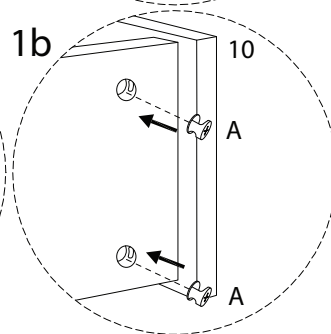
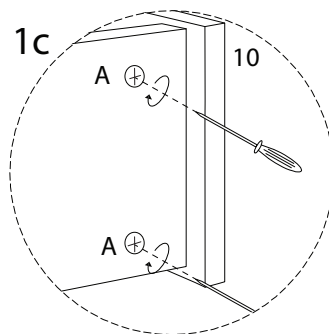
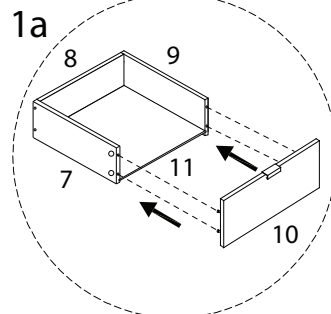
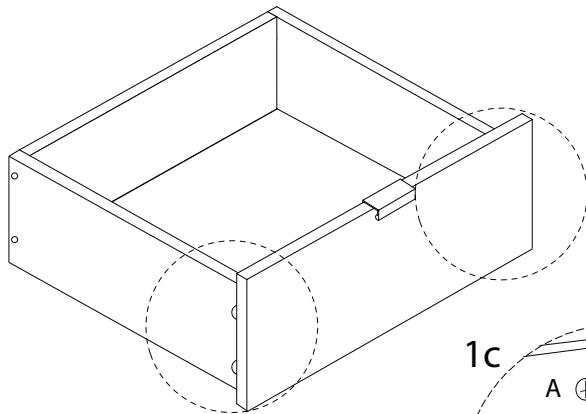


5

A



x4



!

H2



H1



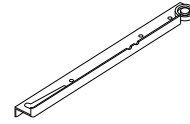
6

G

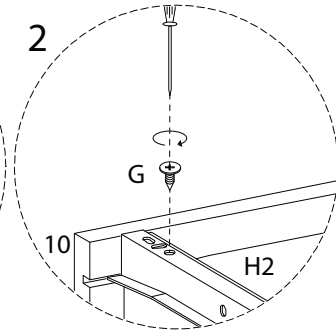
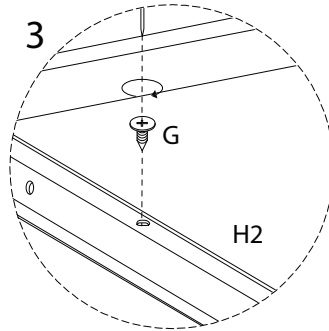
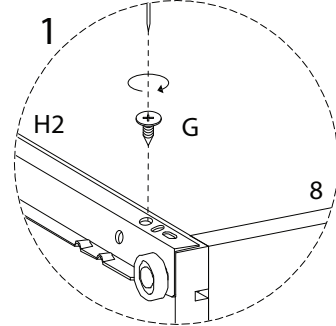
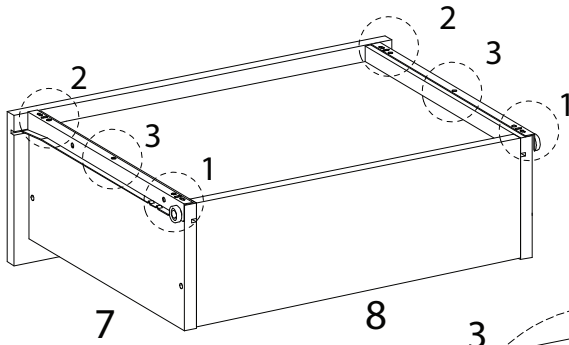


x 6

H2

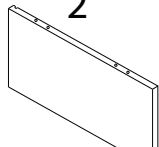


x 2



7

2



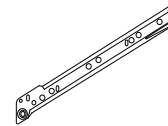
x 1

G

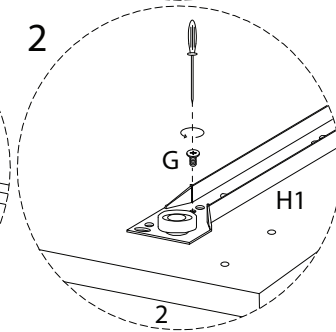
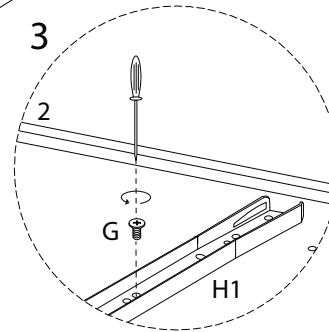
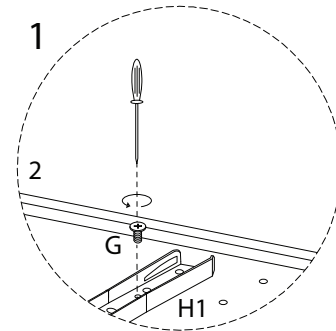
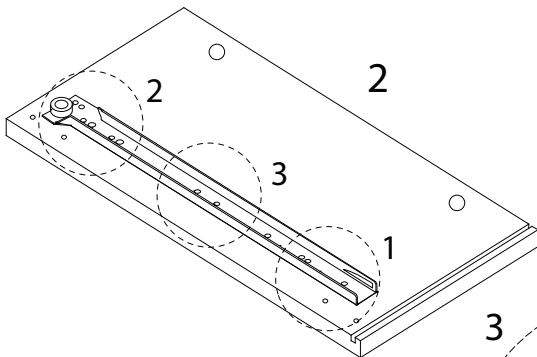


x 3

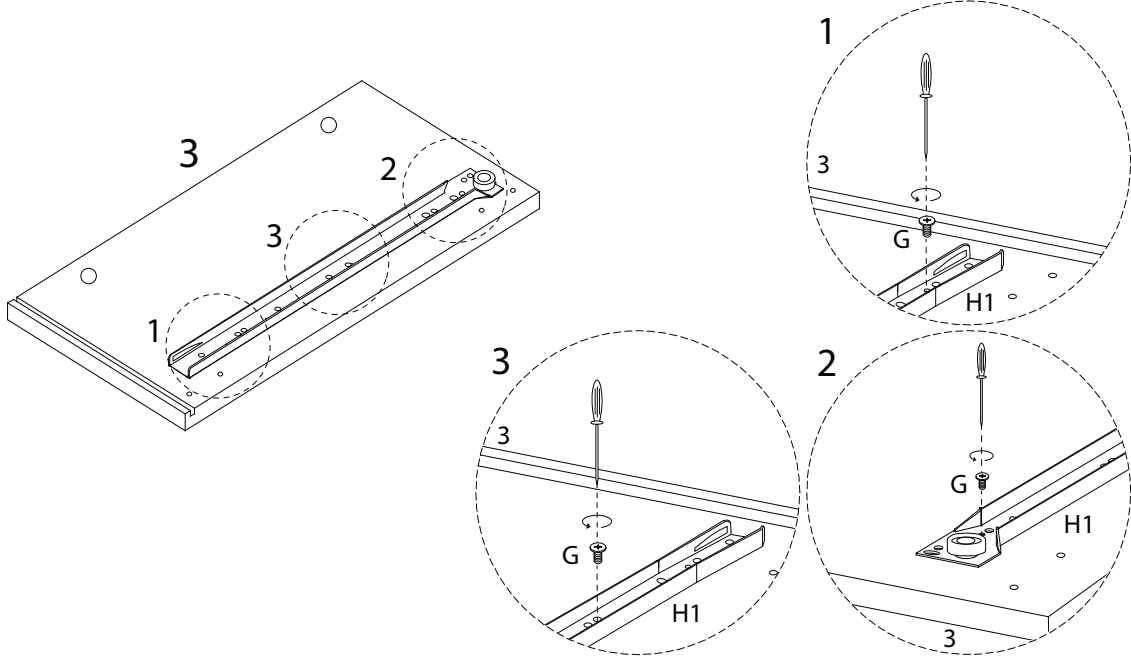
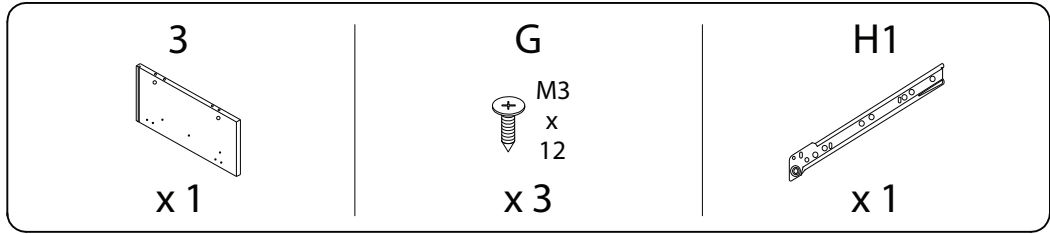
H1



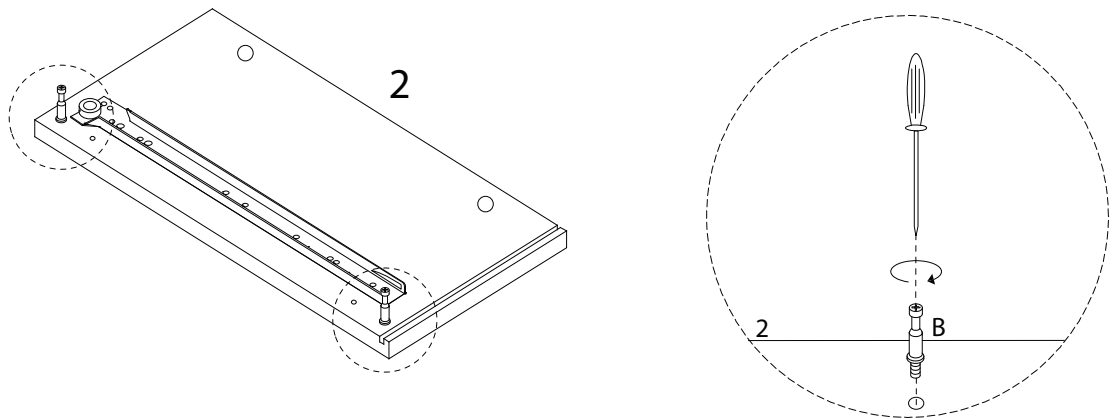
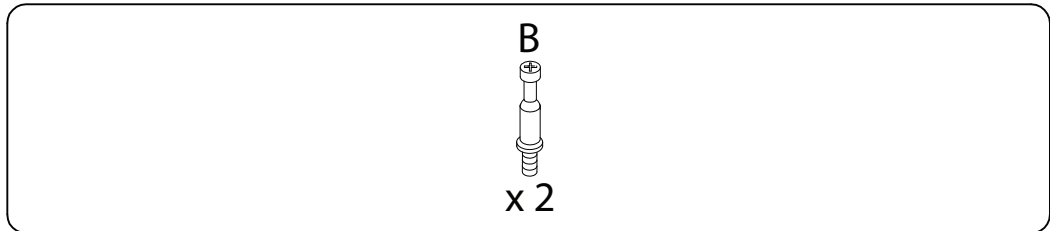
x 1



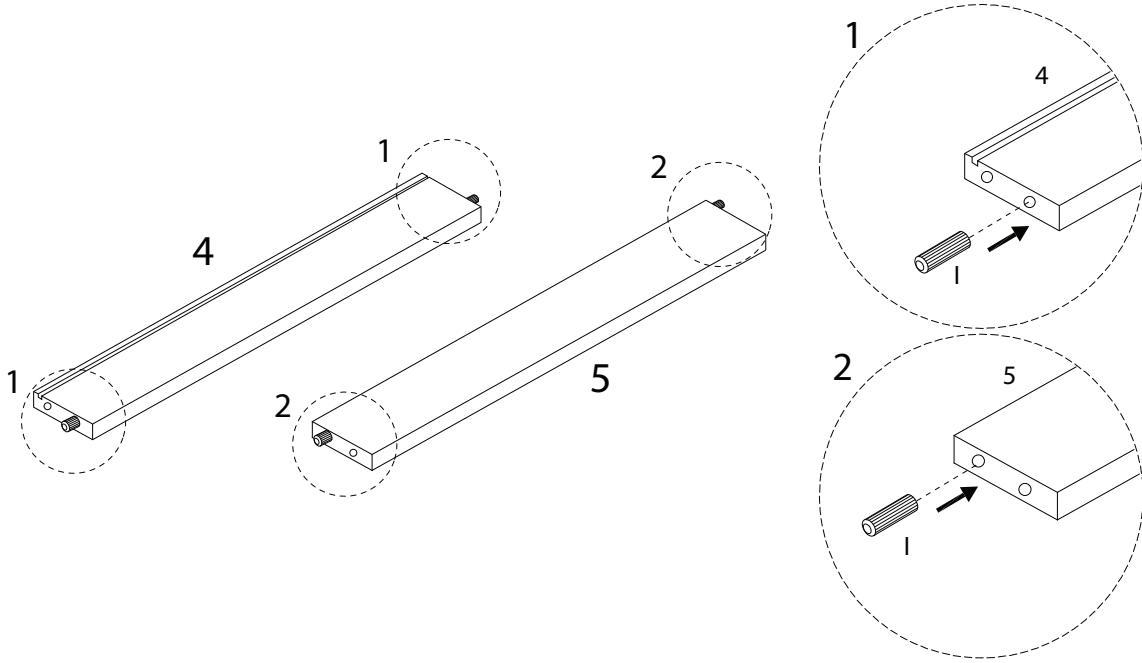
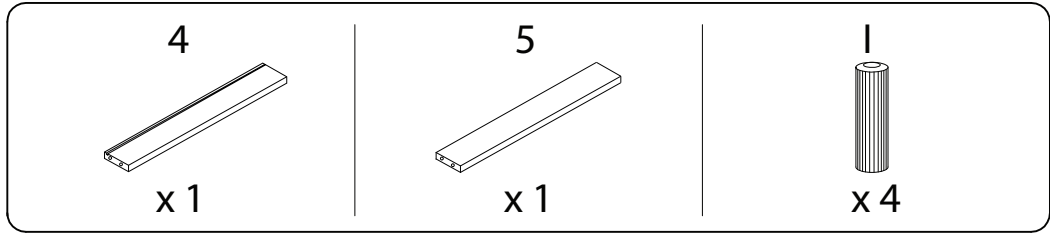
8



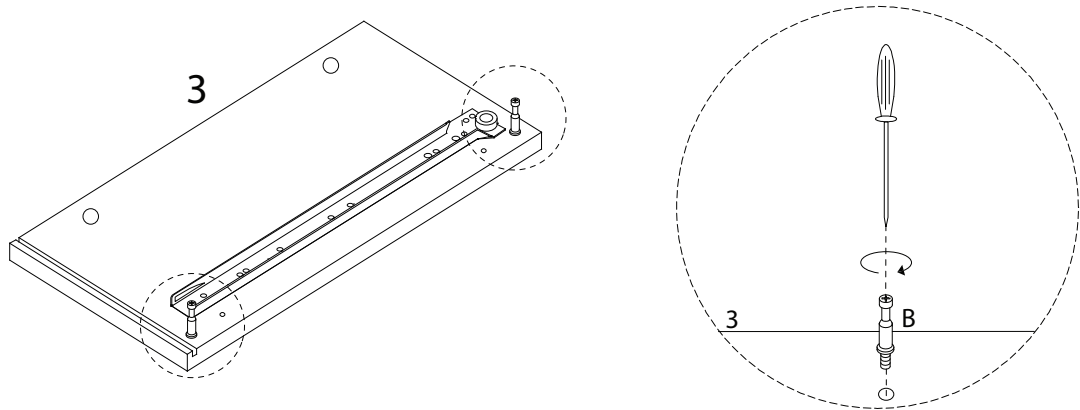
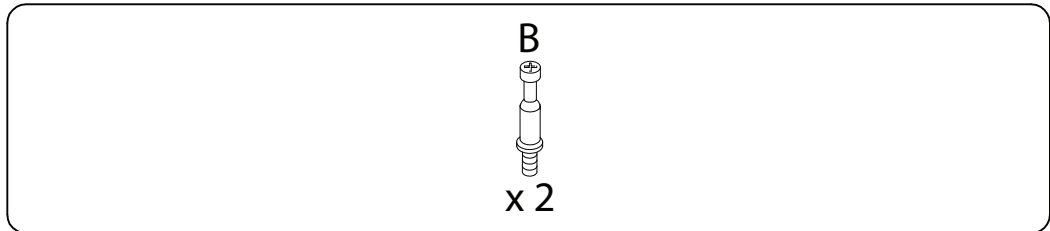
9



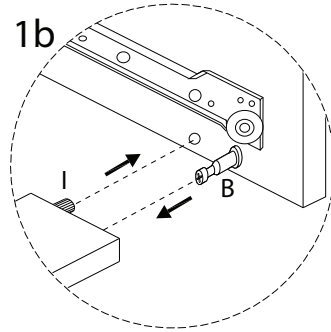
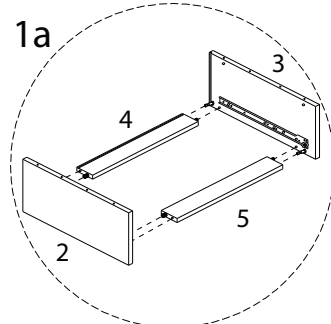
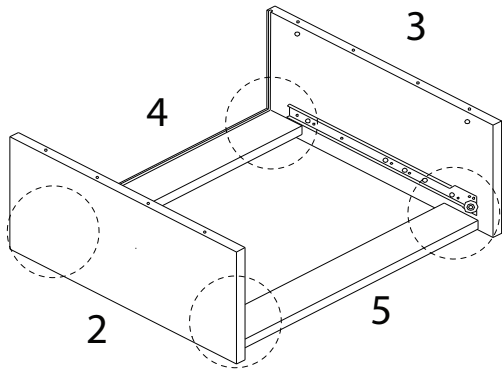
10



11

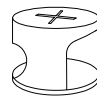


12

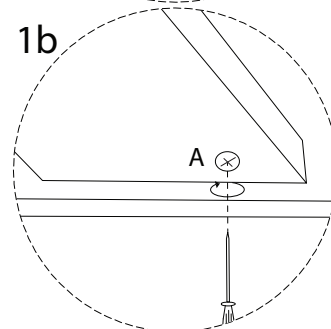
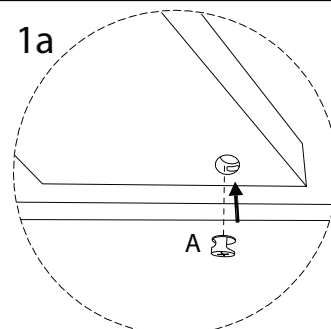
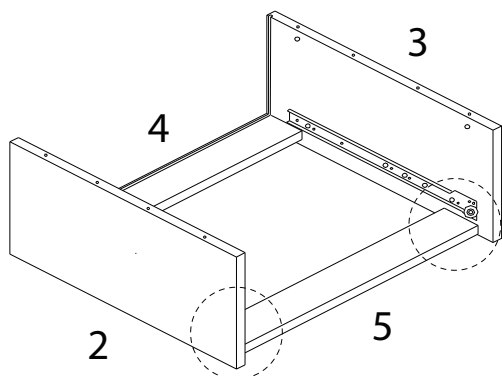


13

A



x2

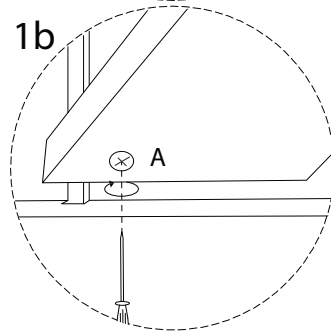
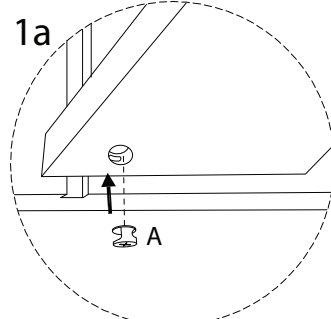
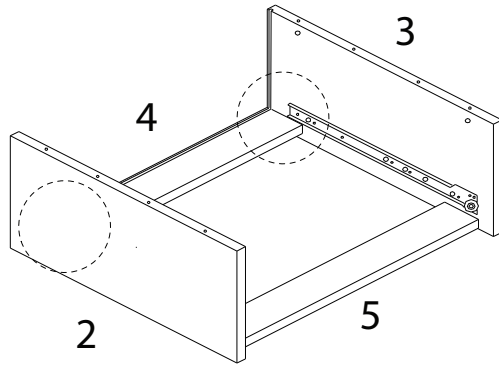


14

A

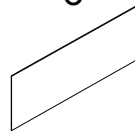


x 2

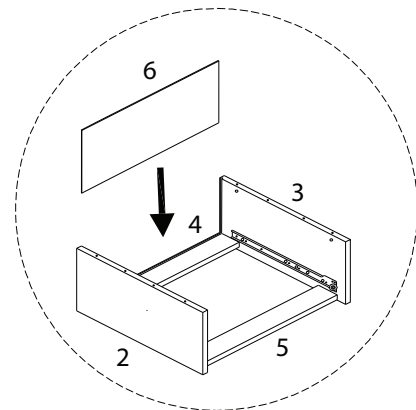
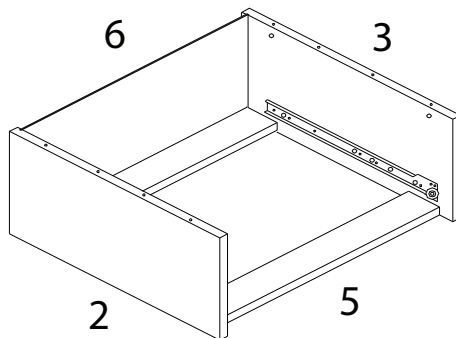


15

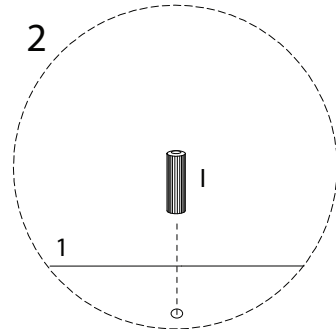
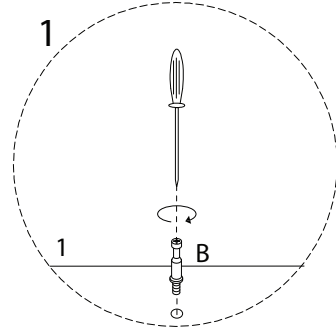
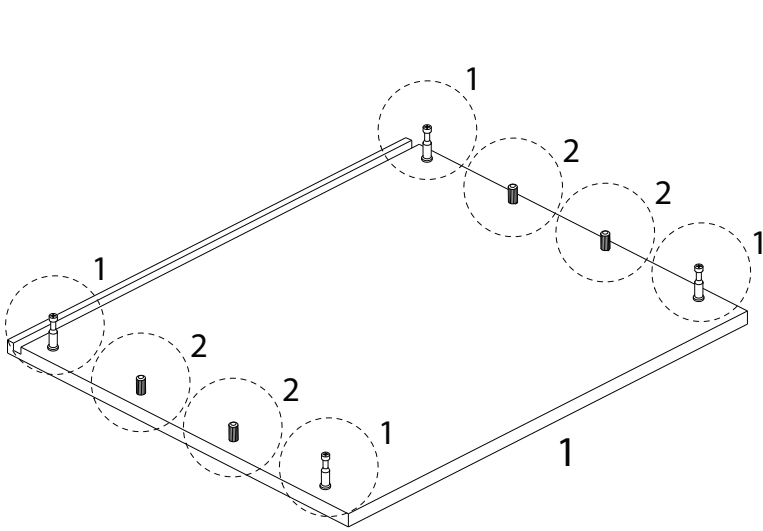
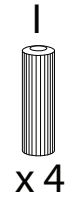
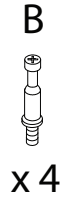
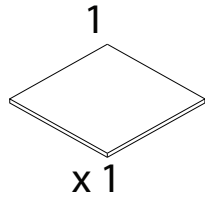
6



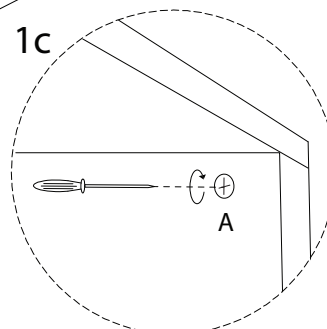
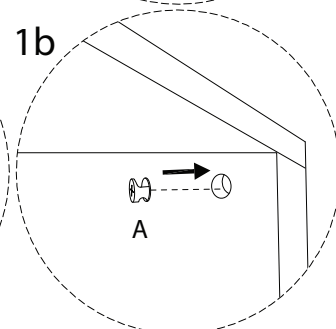
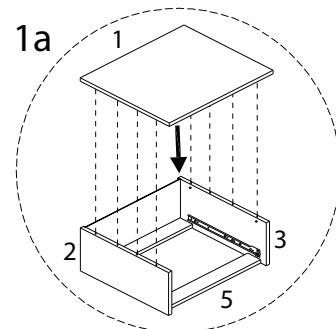
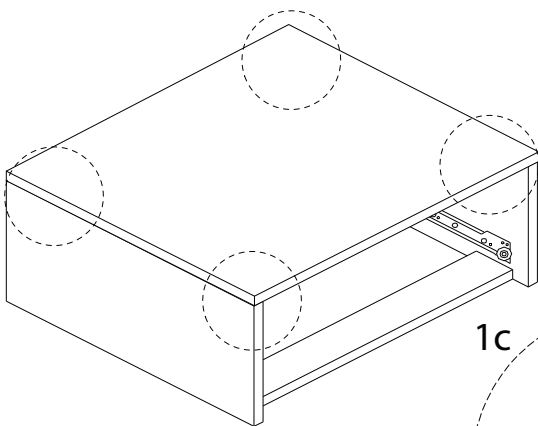
x 1



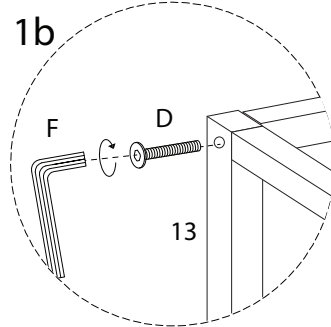
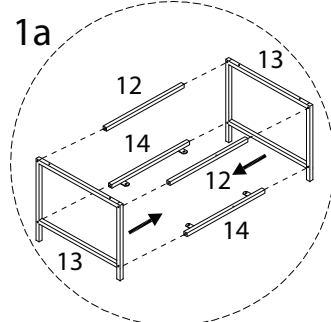
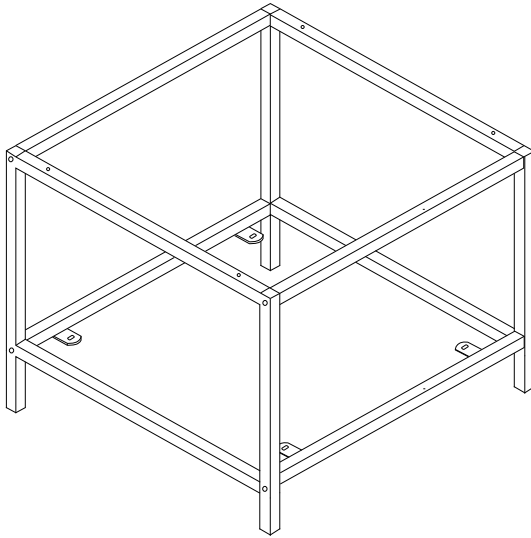
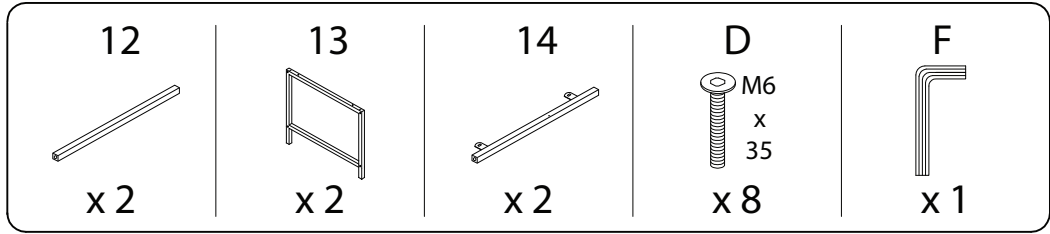
16



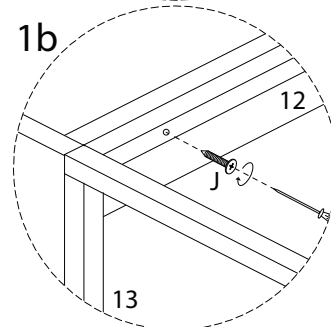
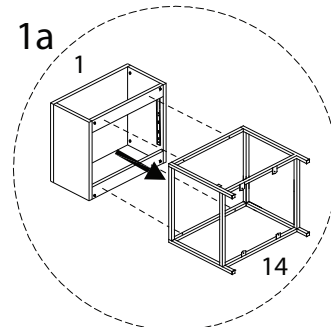
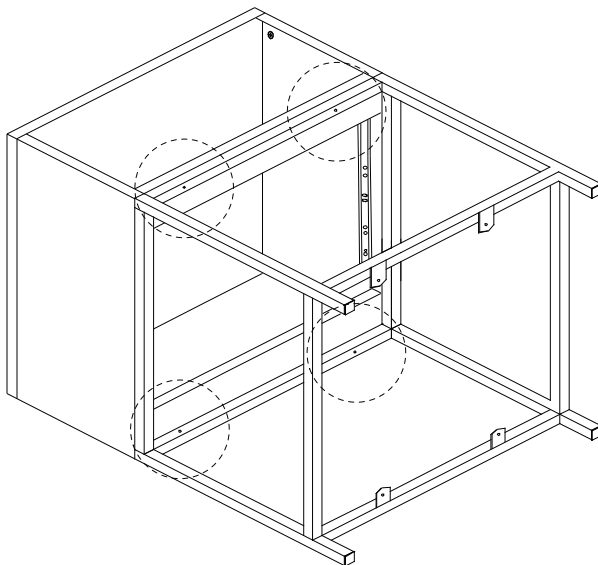
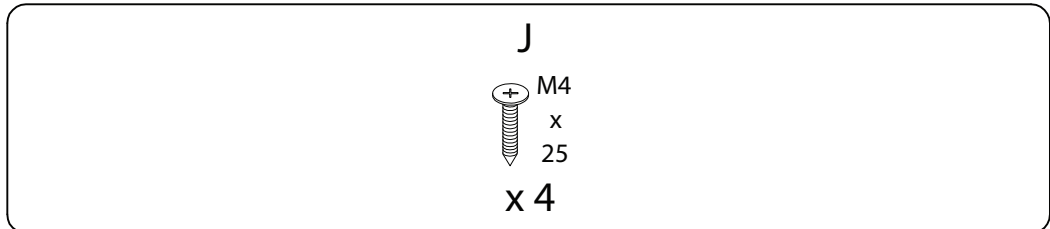
17



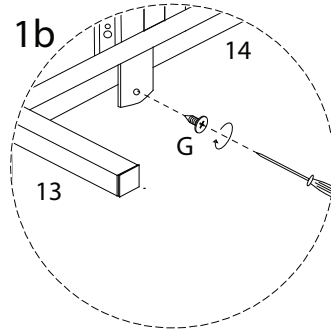
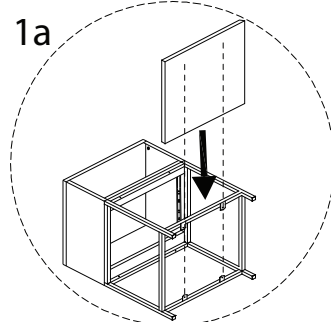
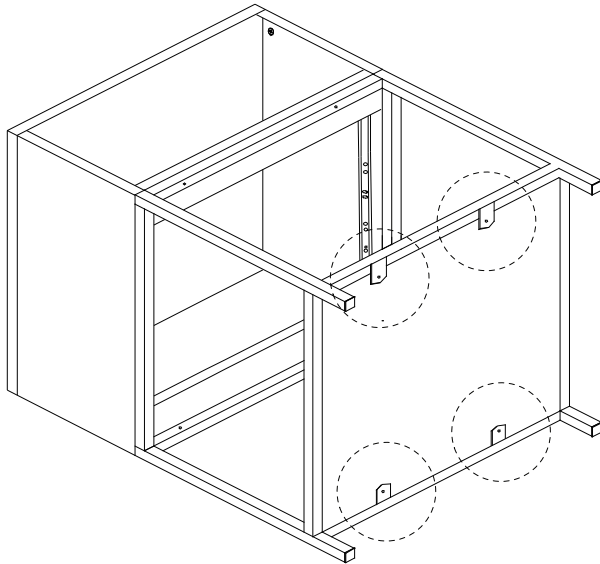
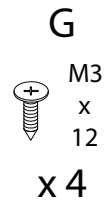
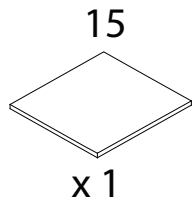
18



19



20



21

