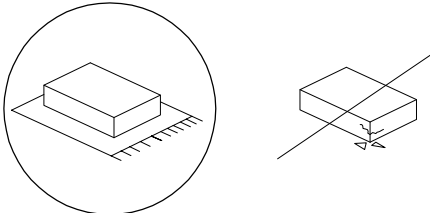


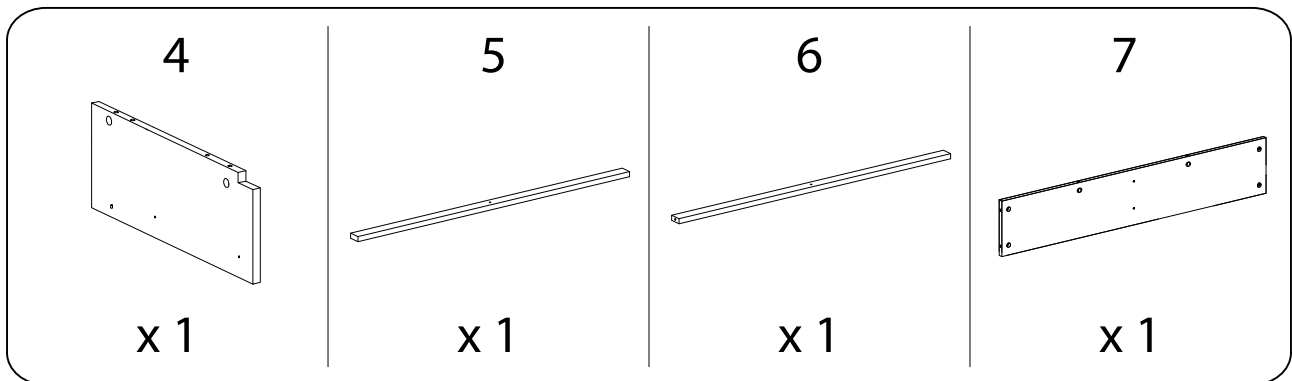
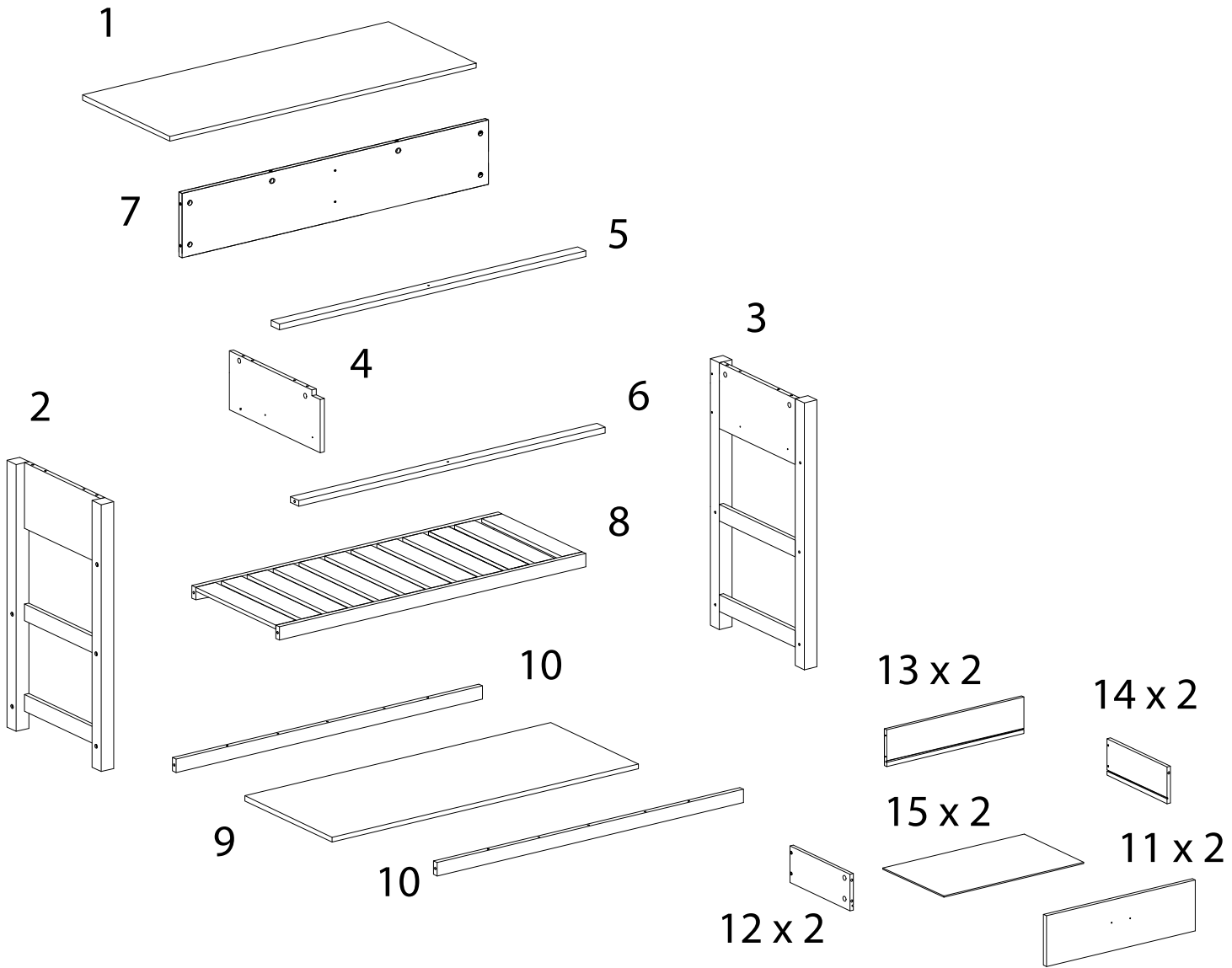
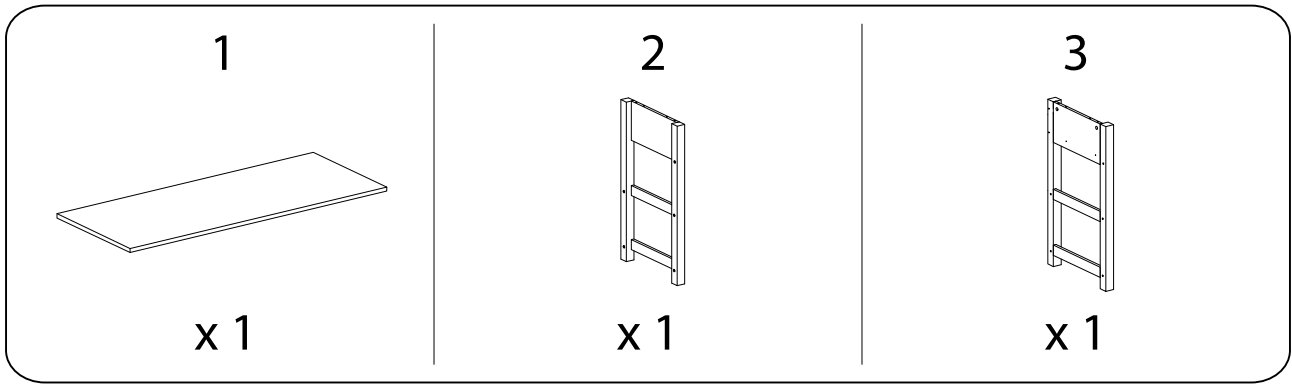
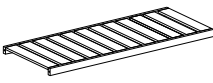
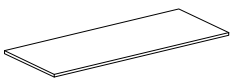

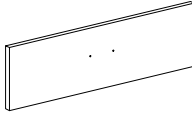
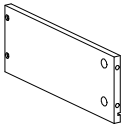
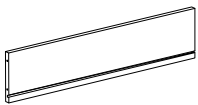
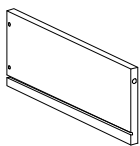

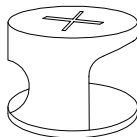

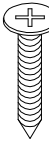
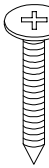
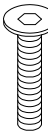

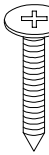
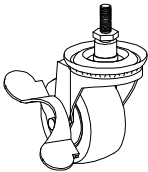
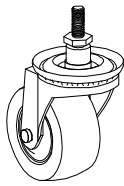
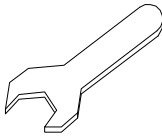
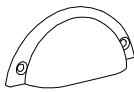
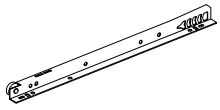
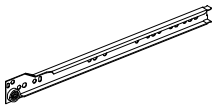
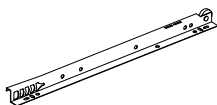
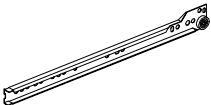
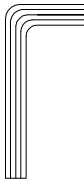
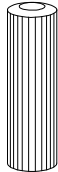
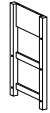

		60'
		
		1



8  x 1	9  x 1	10  x 2	11  x 2	12  x 2
13  x 2	14  x 2	15  x 2	A  x 20	B  x 20
C  M3 x 12 x 20	D  M4 x 35 x 17	E  M6 x 60 x 10	F  x 10	G  M4 x 30 x 2
H  x 2	I  x 2	J  x 1	K  x 2	L  x 2
M  x 2	N  x 2	O  x 2	P  x 1	Q  x 4

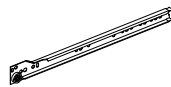
1

2



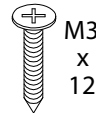
x 1

M



x 1

C

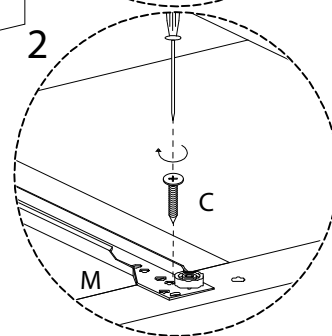
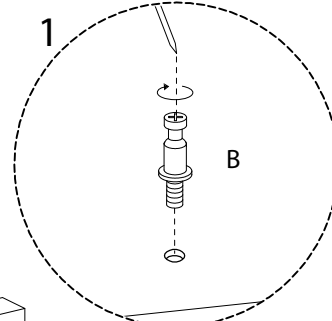
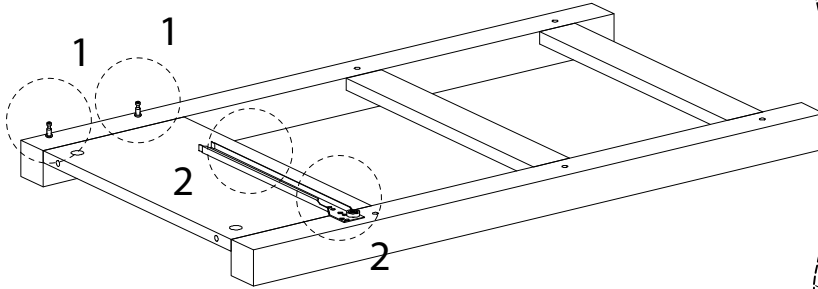


x 2

B

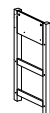


x 2



2

3



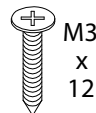
x 1

O



x 1

C

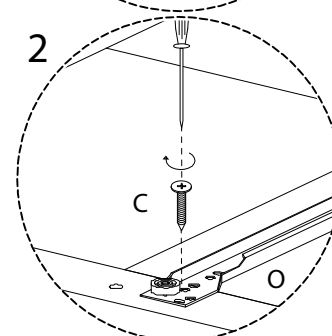
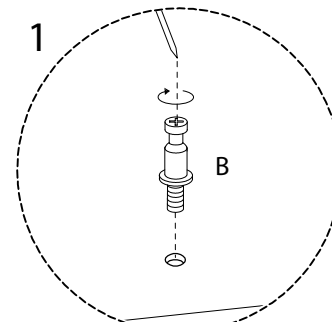
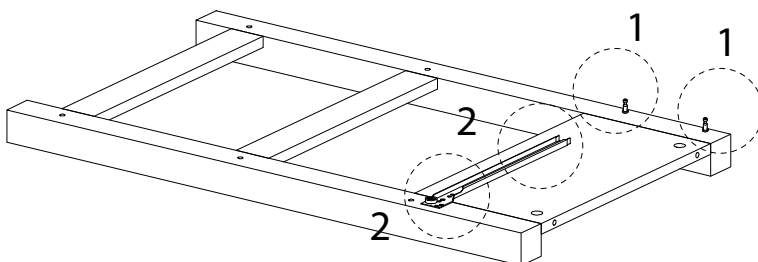


x 2

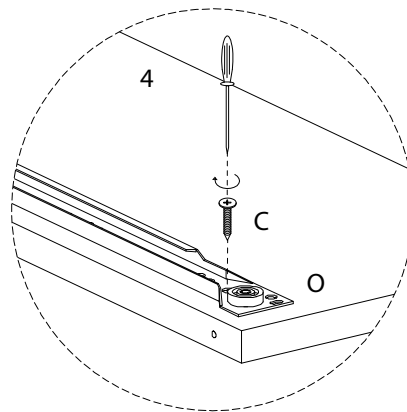
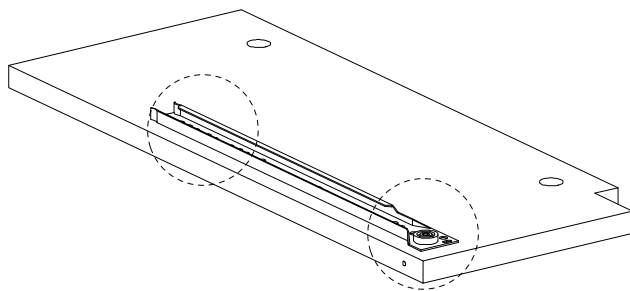
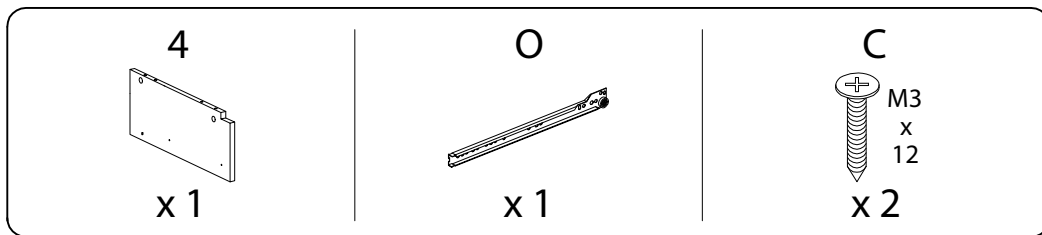
B



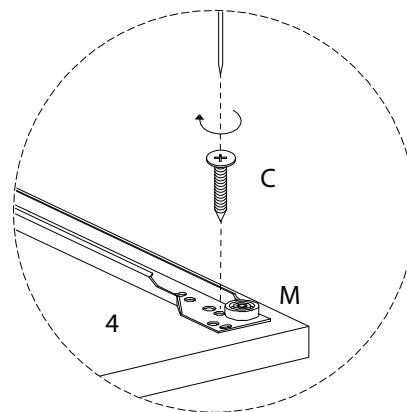
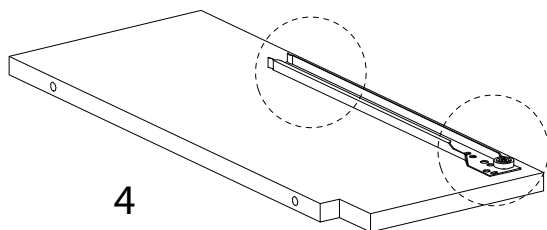
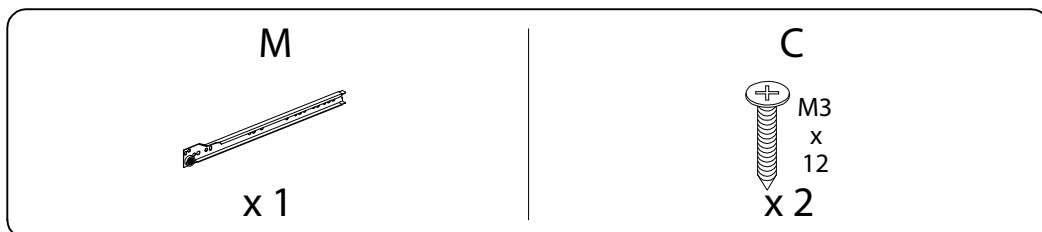
x 2



3

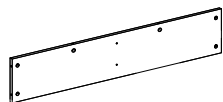


4



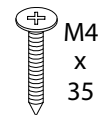
5

7

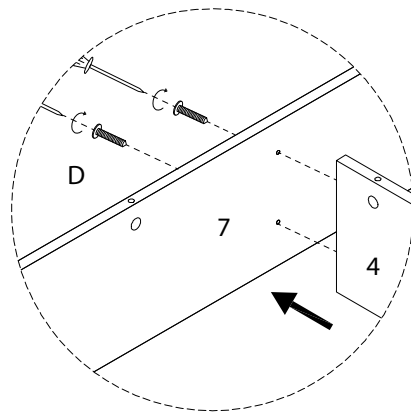
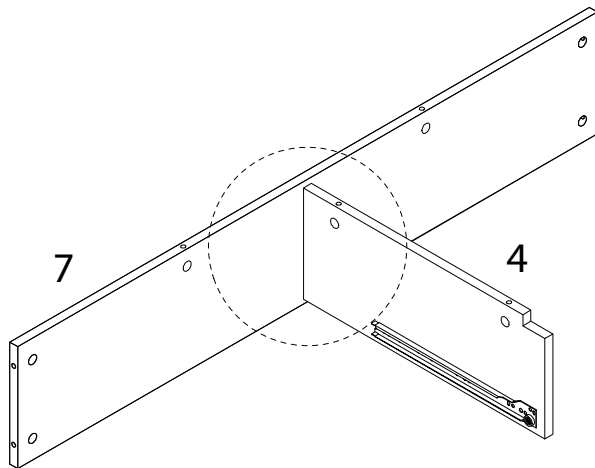


x 1

D

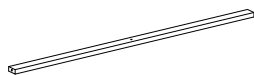


x 2



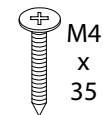
6

6

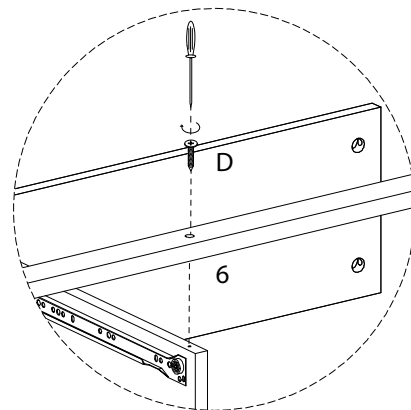
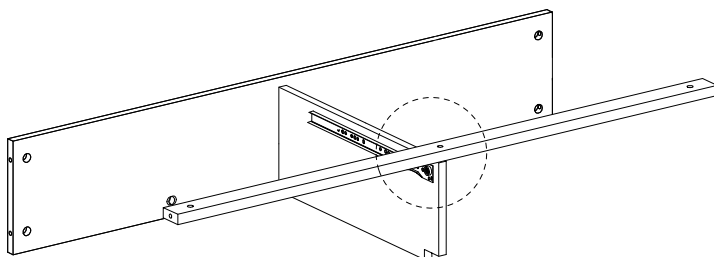


x 1

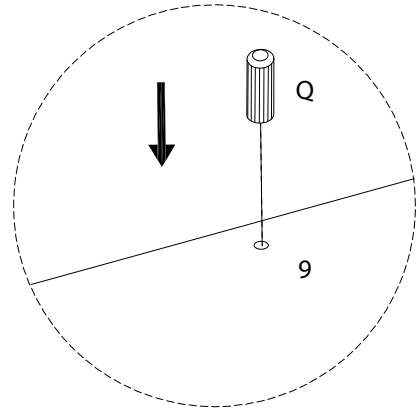
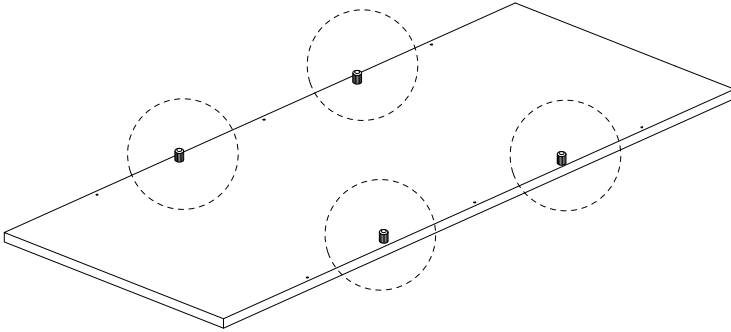
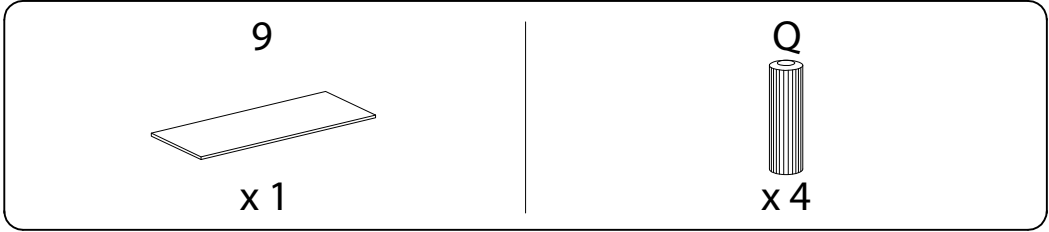
D



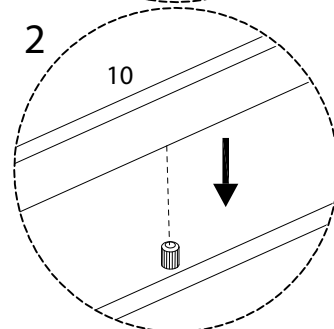
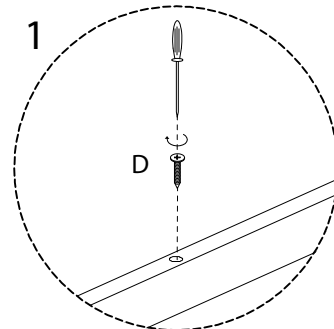
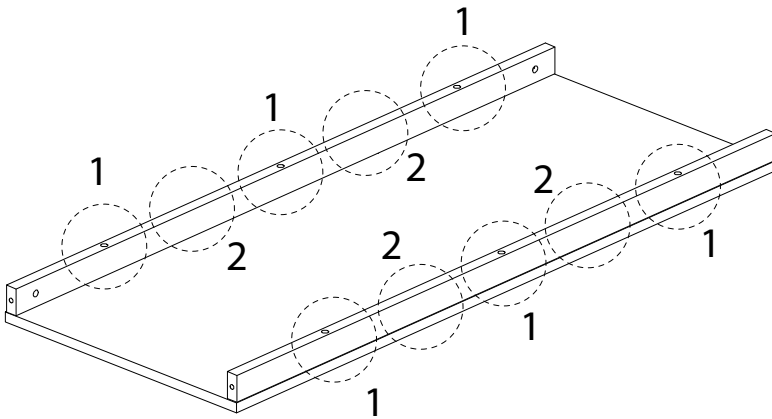
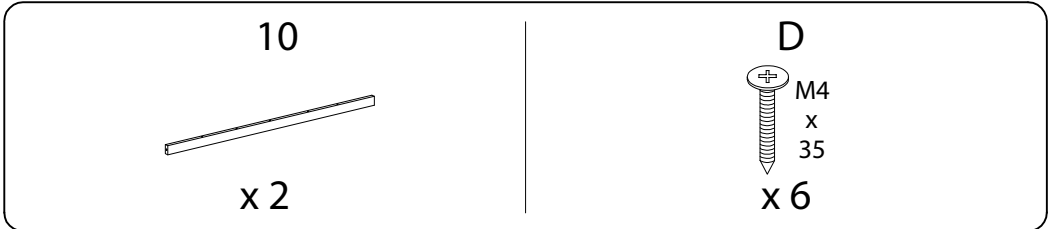
x 1



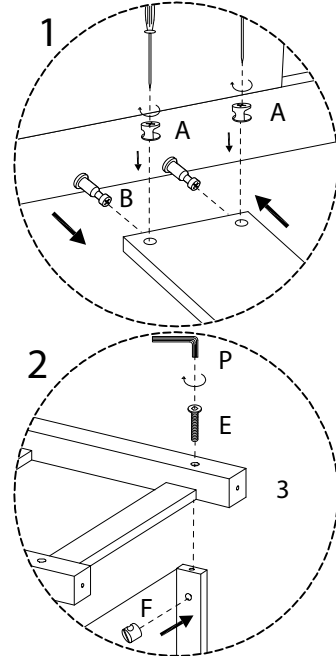
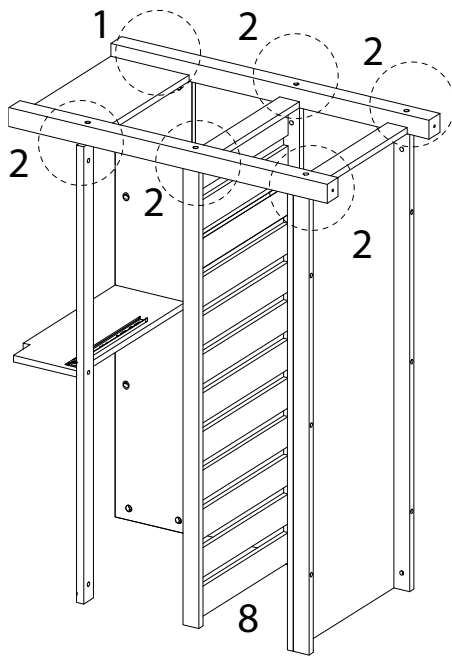
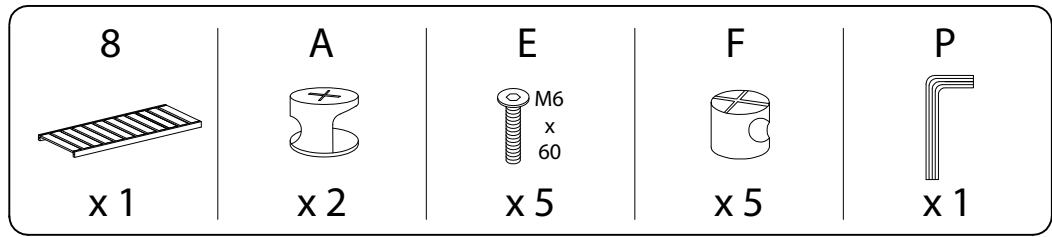
7



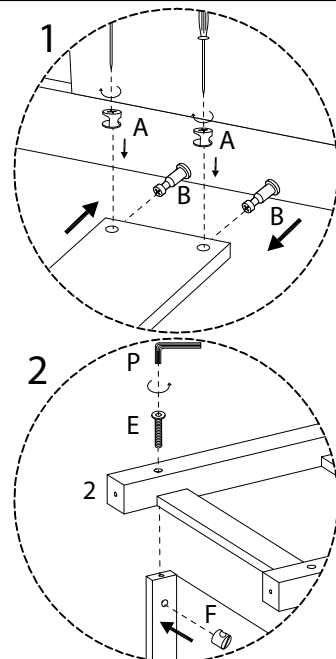
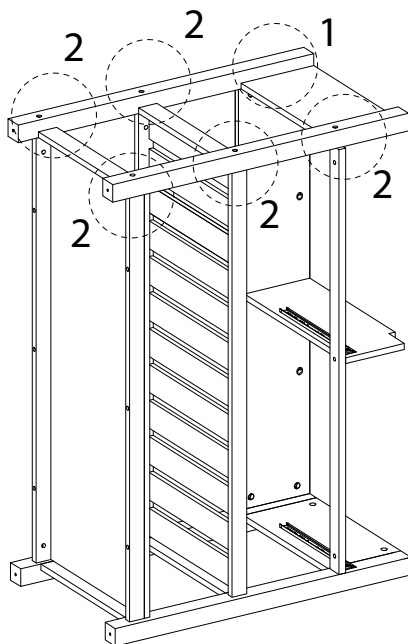
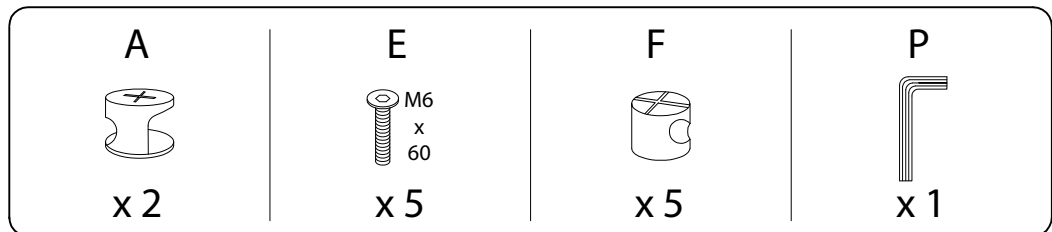
8



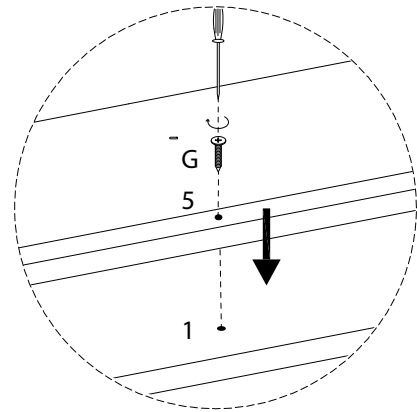
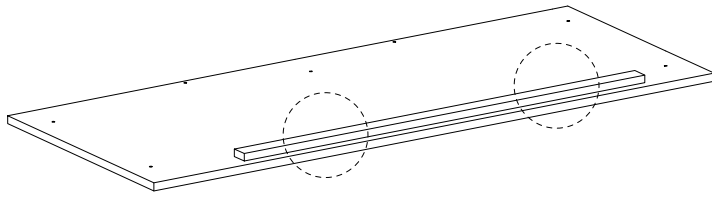
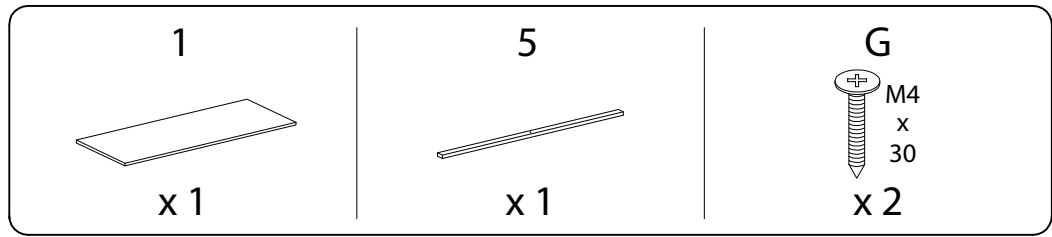
9



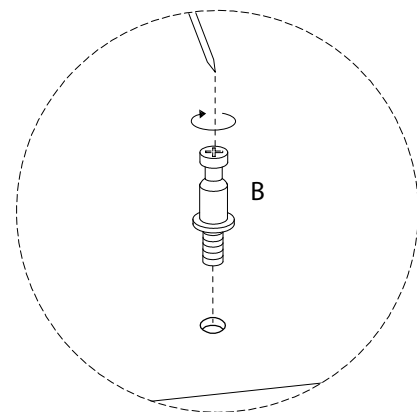
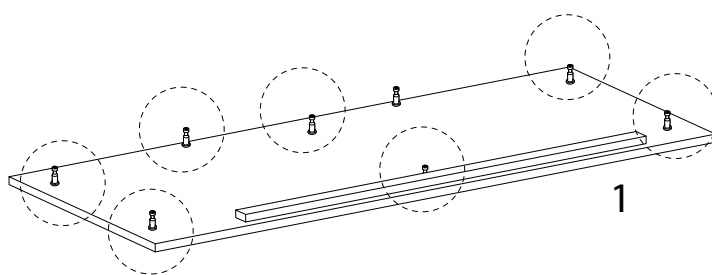
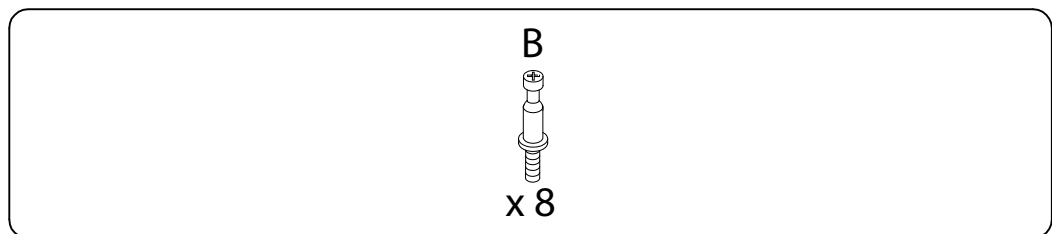
10



11



12

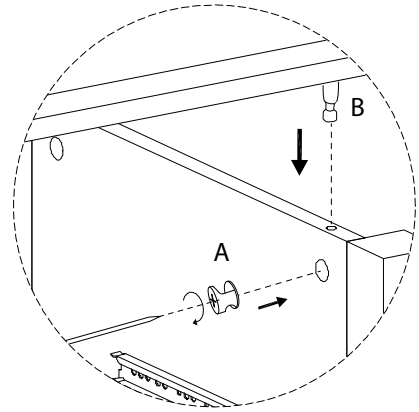
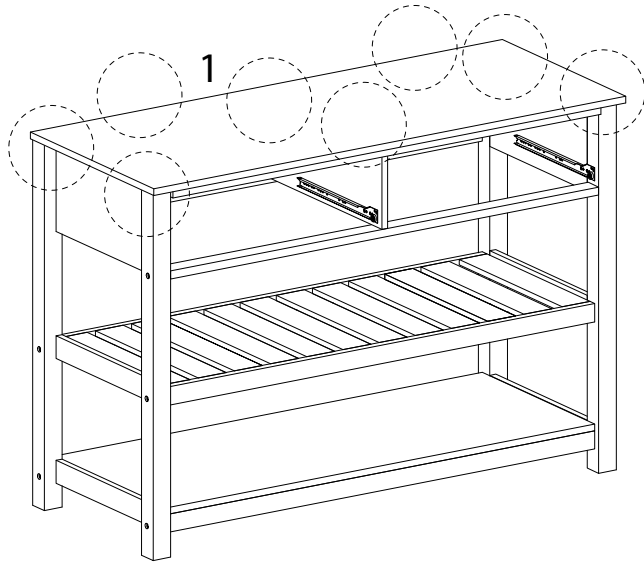


13

A



x 8



14

H



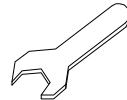
x 2

I

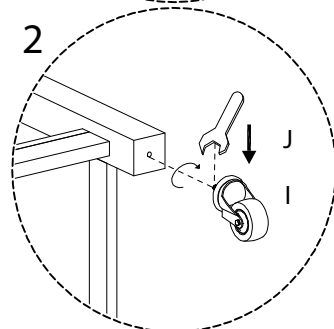
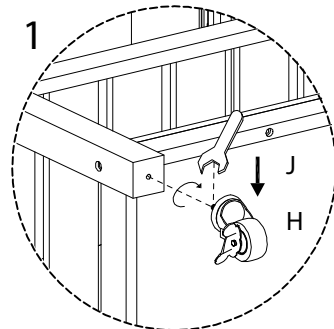
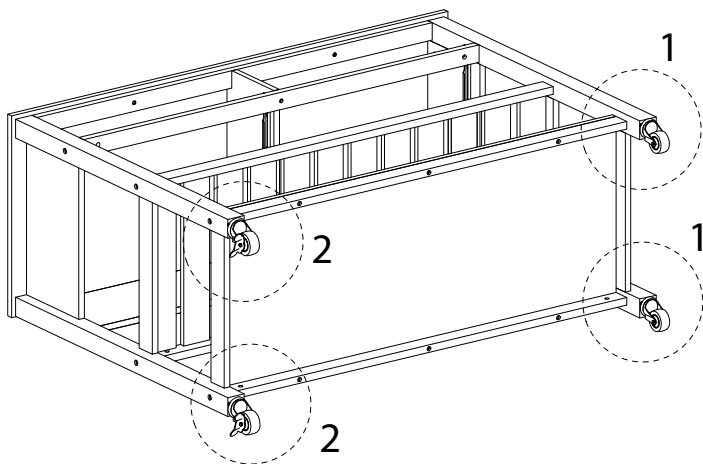


x 2

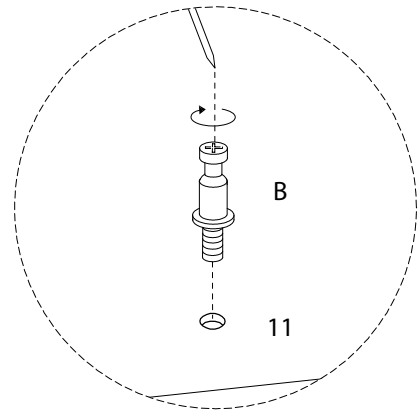
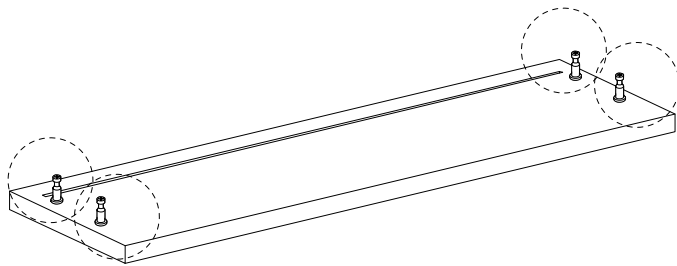
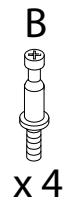
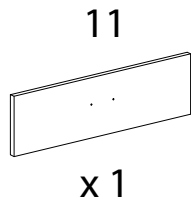
J



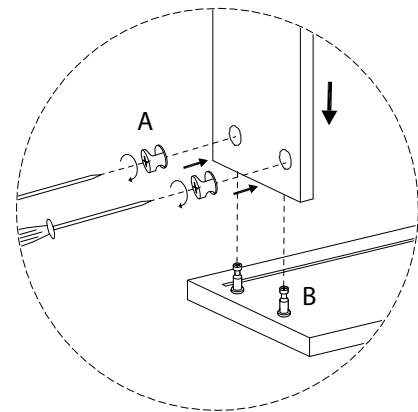
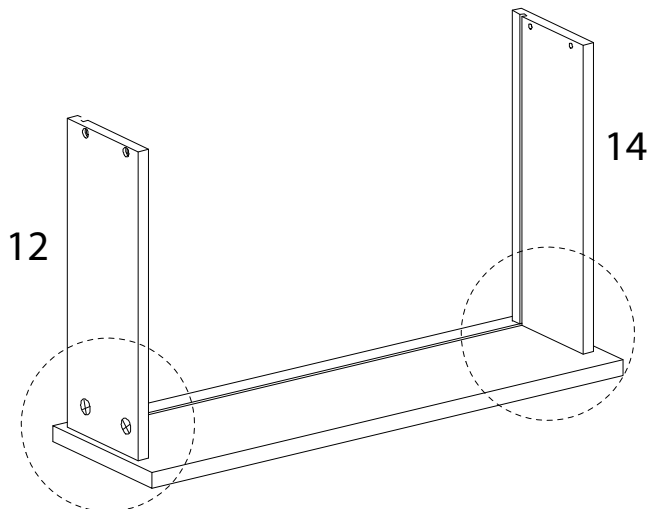
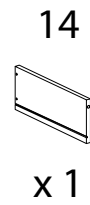
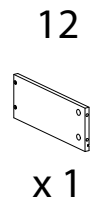
x 1



15 x 2



16 x 2

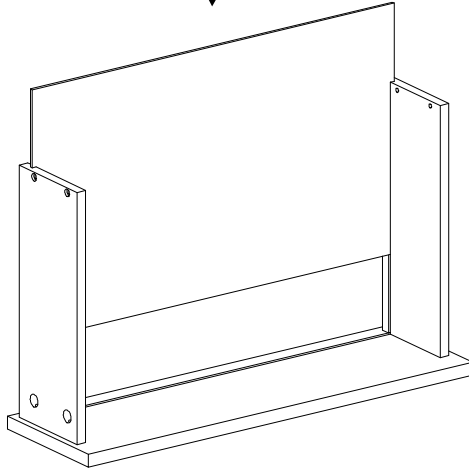


17 x 2

15



x 1



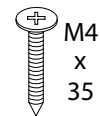
18 x 2

13

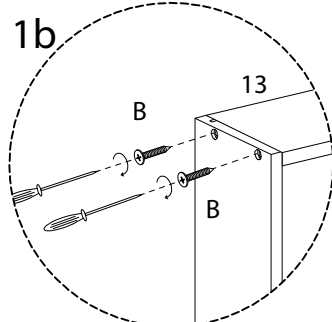
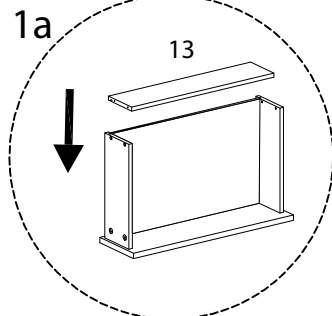
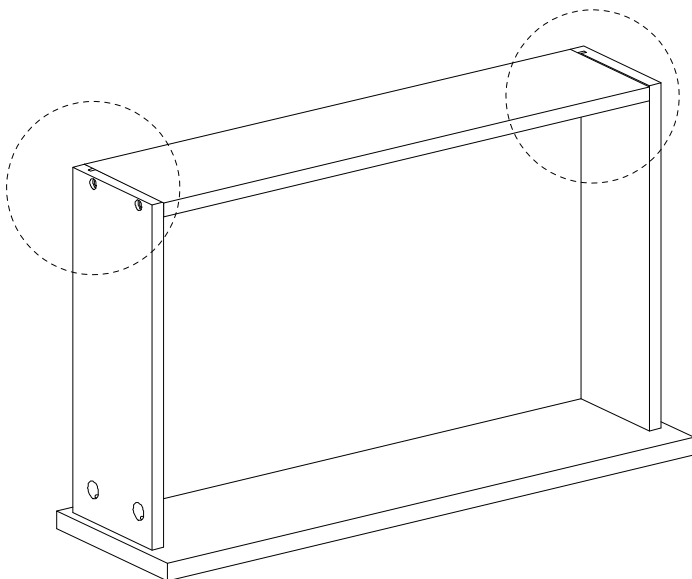


x 1

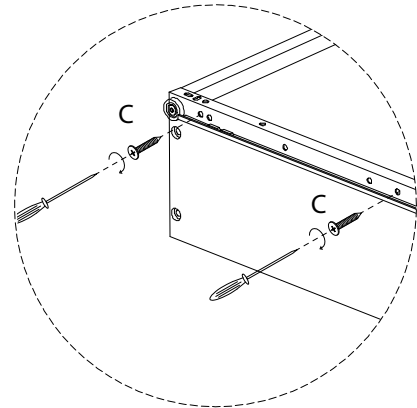
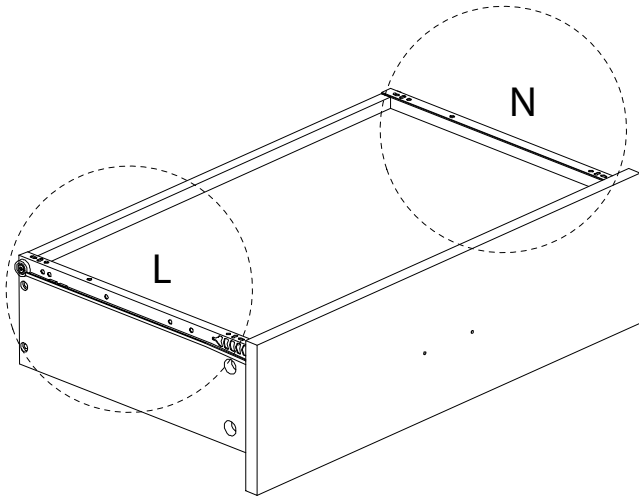
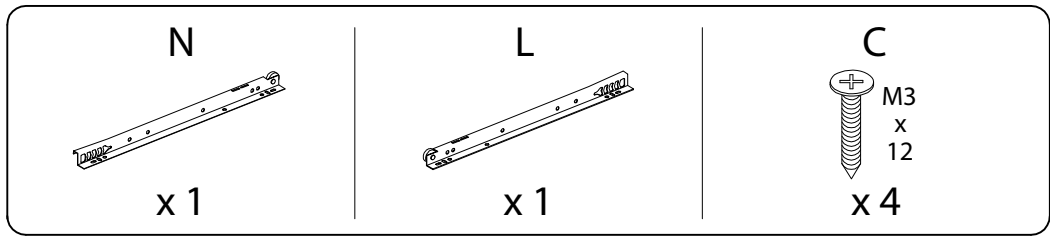
B



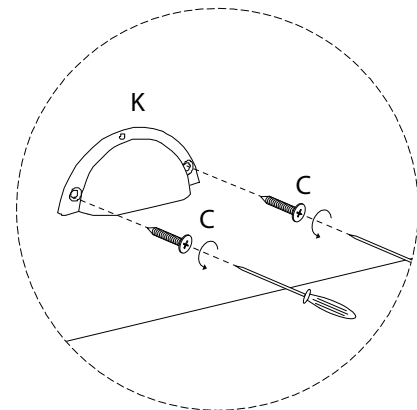
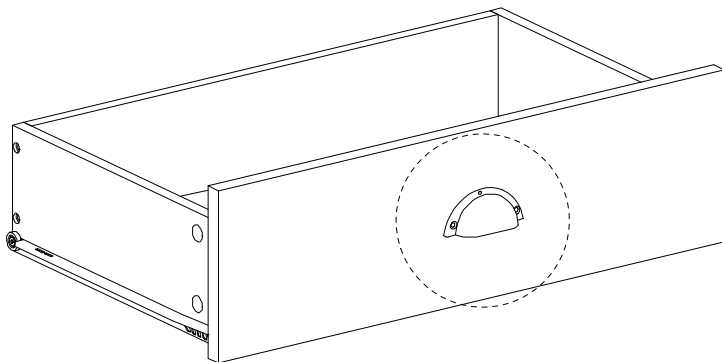
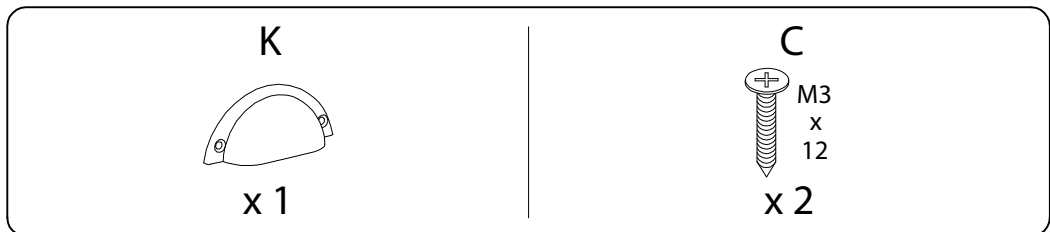
x 4



19 x 2



20 x 2



21

