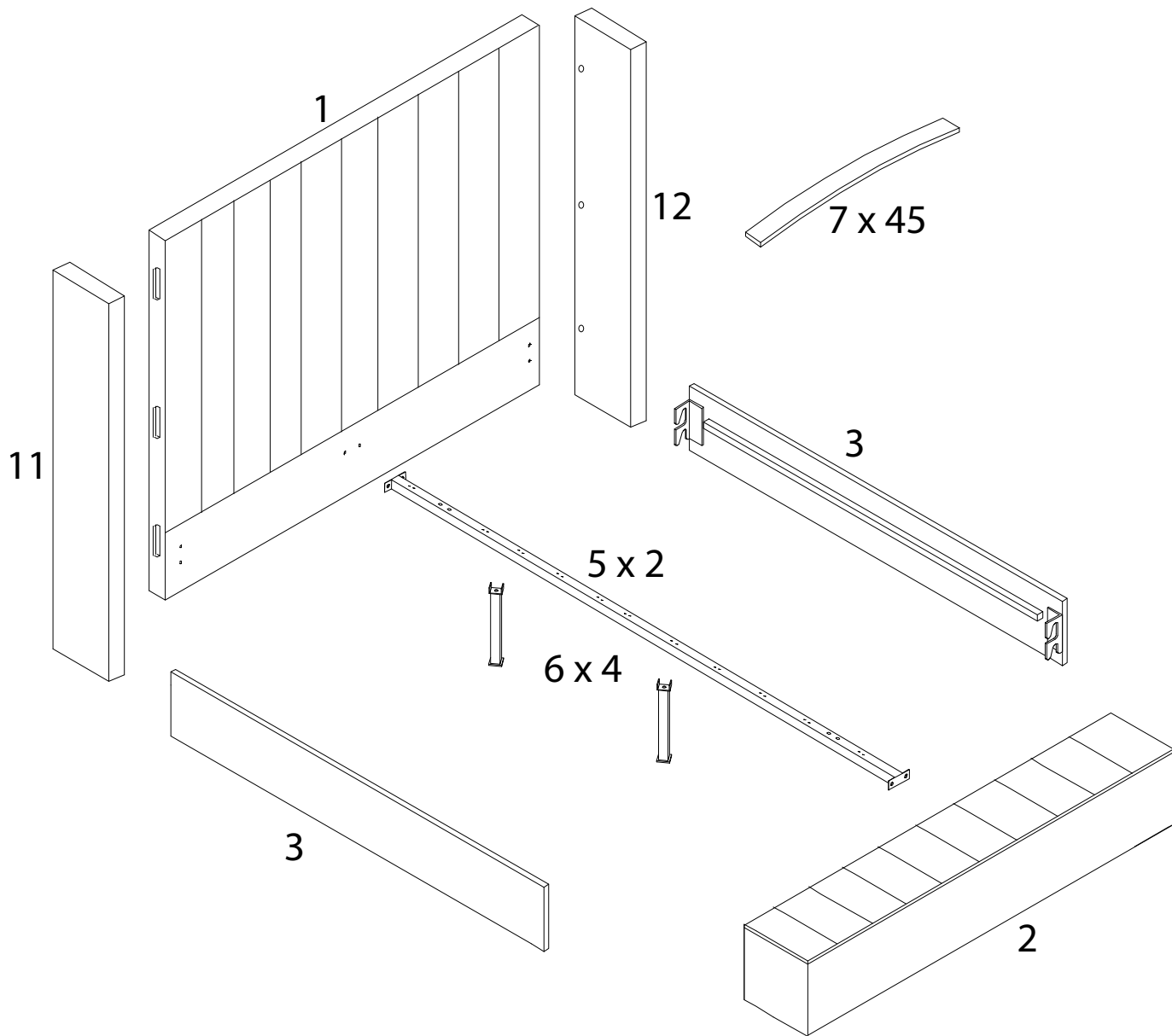
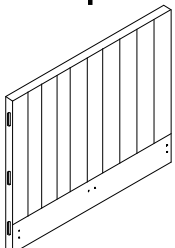
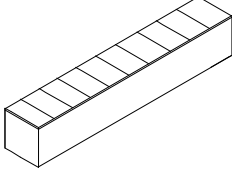
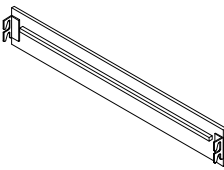
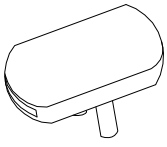
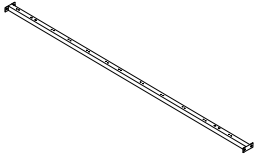

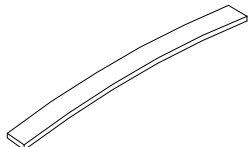
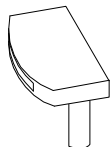
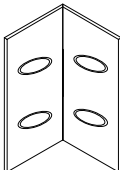
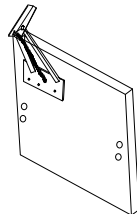

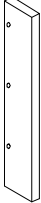
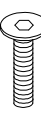

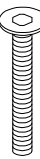
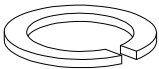
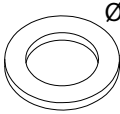

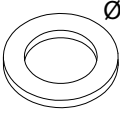
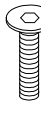




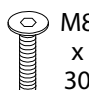

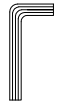
Diagram illustrating assembly steps and safety warnings:

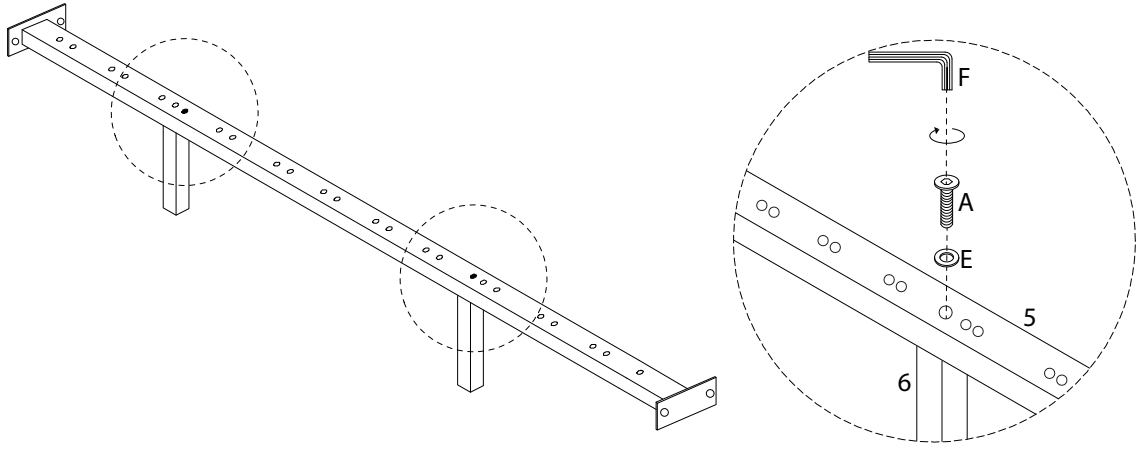
- Step 1:** Shows an L-shaped metal bracket being attached to the frame using a power drill. A warning triangle with an exclamation mark is present.
- Step 2:** Shows a rectangular panel being placed on top of the slatted base. A warning triangle with an exclamation mark is present.
- Time:** A clock icon indicates a duration of 40 minutes.
- Personnel:** An icon of a person indicates that 2 people are required for assembly.




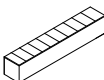
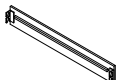
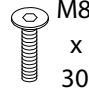

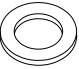
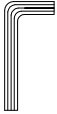
<p>1</p>  <p>x 1</p>	<p>2</p>  <p>x 1</p>	<p>3</p>  <p>x 2</p>	<p>4</p>  <p>x 30</p>
<p>5</p>  <p>x 2</p>	<p>6</p>  <p>x 4</p>	<p>7</p>  <p>x 45</p>	<p>8</p>  <p>x 30</p>
<p>9</p>  <p>x 2</p>	<p>10</p>  <p>x 1</p>	<p>11</p>  <p>x 1</p>	<p>12</p>  <p>x 1</p>
<p>A</p>  <p>M8 x 30</p> <p>x 12</p>	<p>B</p>  <p>M8 x 20</p> <p>x 10</p>	<p>C</p>  <p>M8 x 75</p> <p>x 6</p>	<p>D</p>  <p>x 8</p>
<p>E</p>  <p>Ø20</p> <p>x 22</p>	<p>F</p>  <p>x 1</p>	<p>G</p>  <p>Ø22</p> <p>x 6</p>	<p>H</p>  <p>M8 x 25</p> <p>x 8</p>

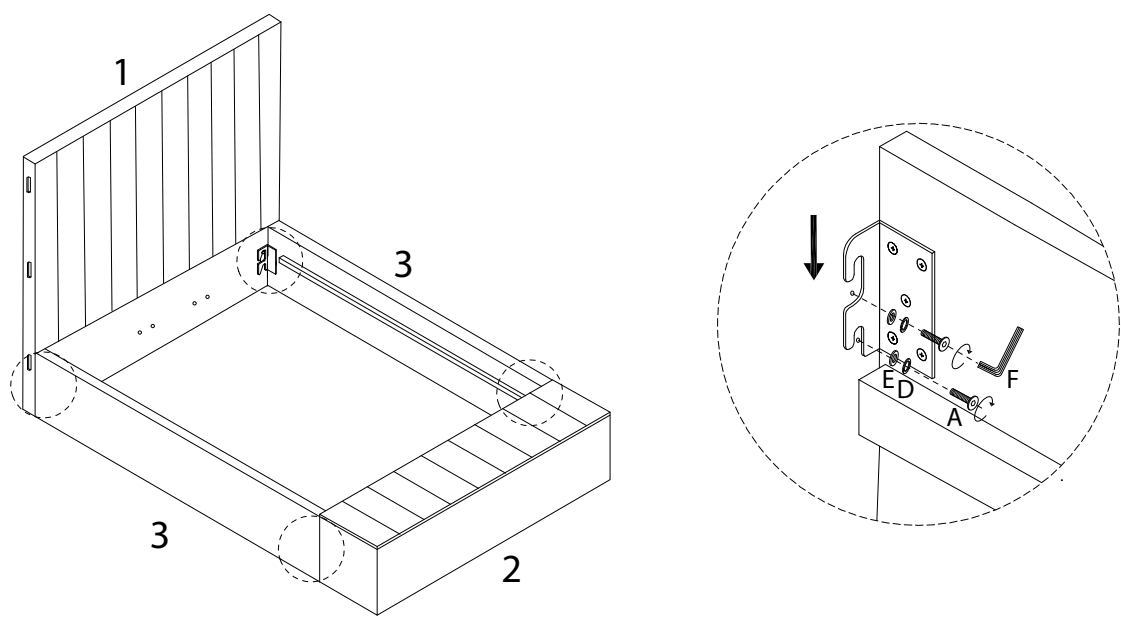
1 x 2

<b>5</b>  x 1	<b>6</b>  x 2	<b>A</b>  M8 x 30 x 2	<b>E</b>  Ø20 x 2	<b>F</b>  x 1
--	--	--	---	--

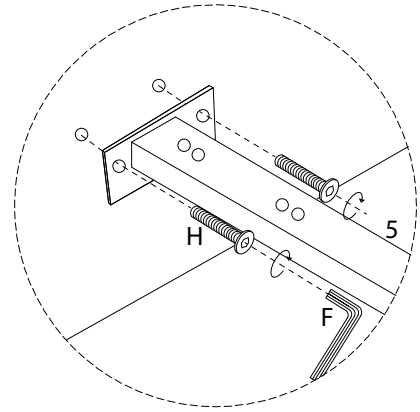
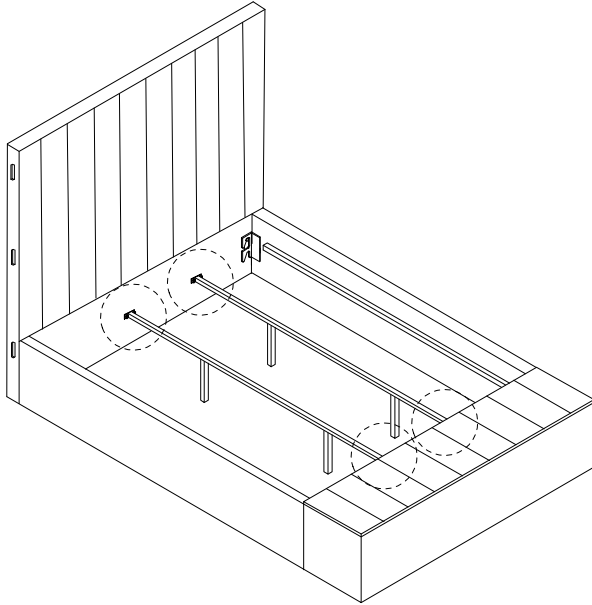
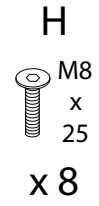
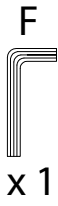


2

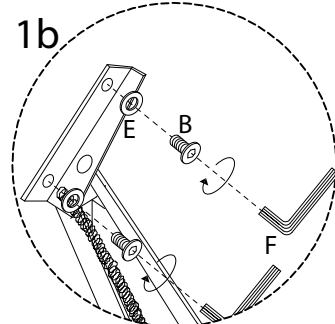
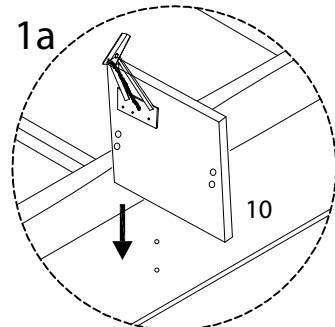
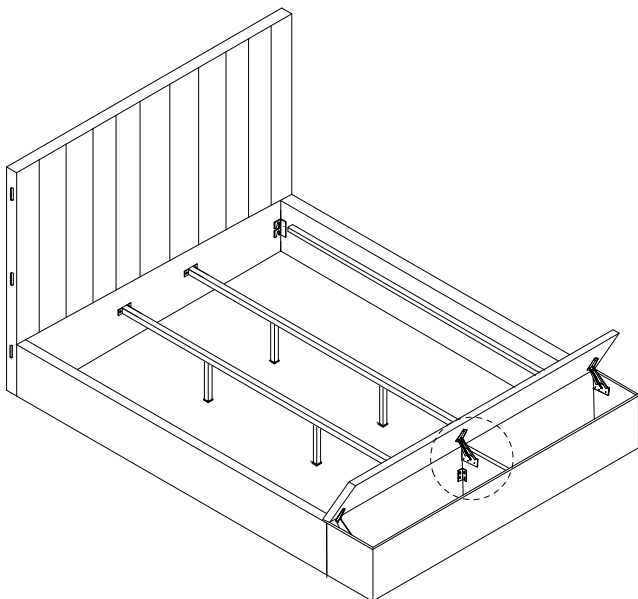
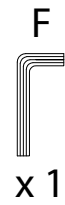
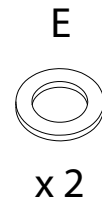
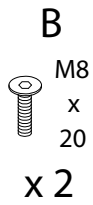
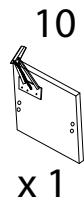
<b>1</b>  x 1	<b>2</b>  x 1	<b>3</b>  x 2	<b>A</b>  M8 x 30 x 8	<b>D</b>  x 8	<b>E</b>  x 8	<b>F</b>  x 1
--	--	--	--	---	--	--



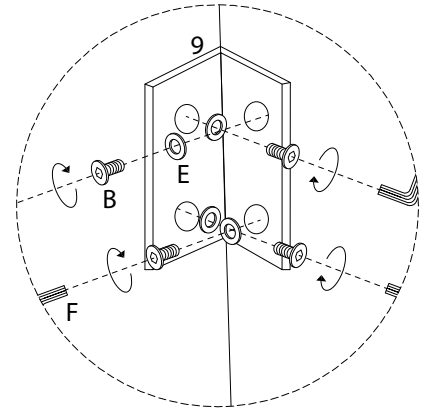
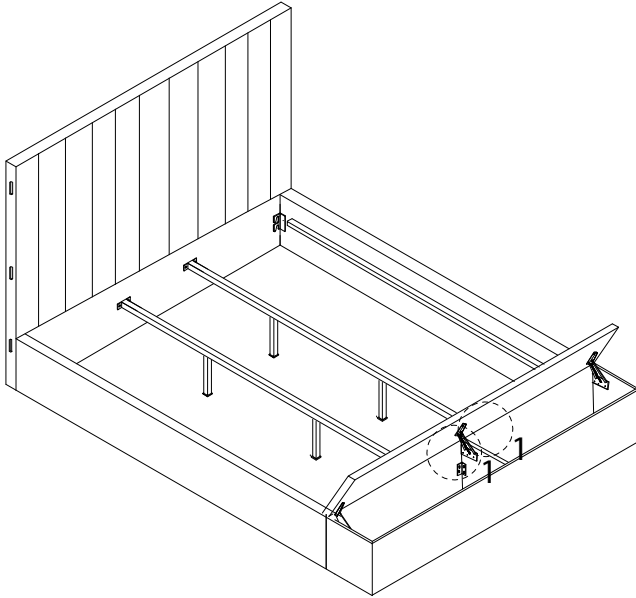
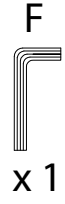
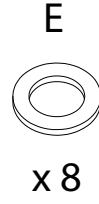
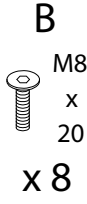
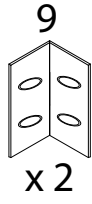
3



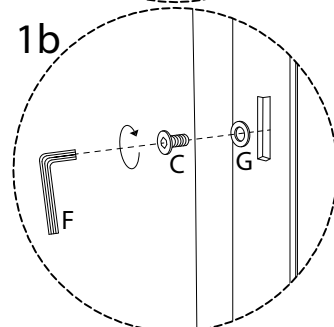
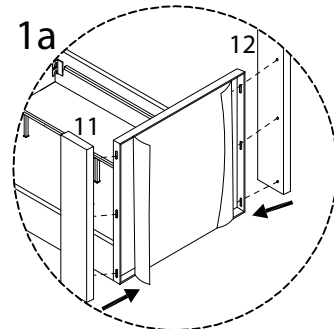
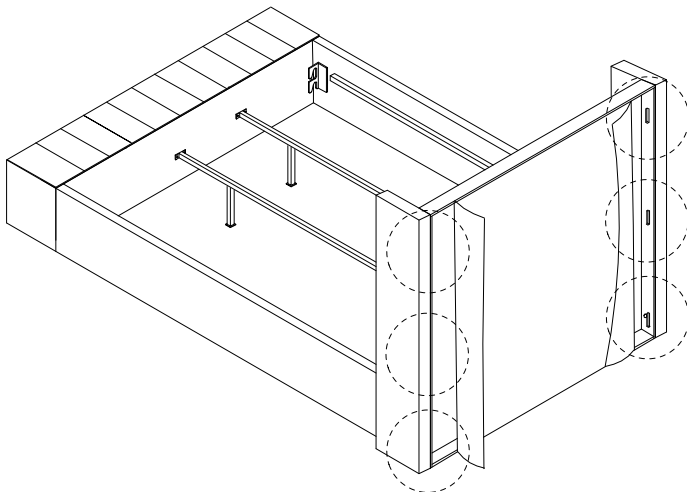
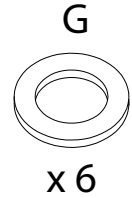
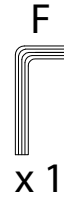
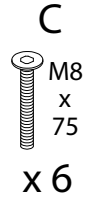
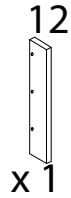
4



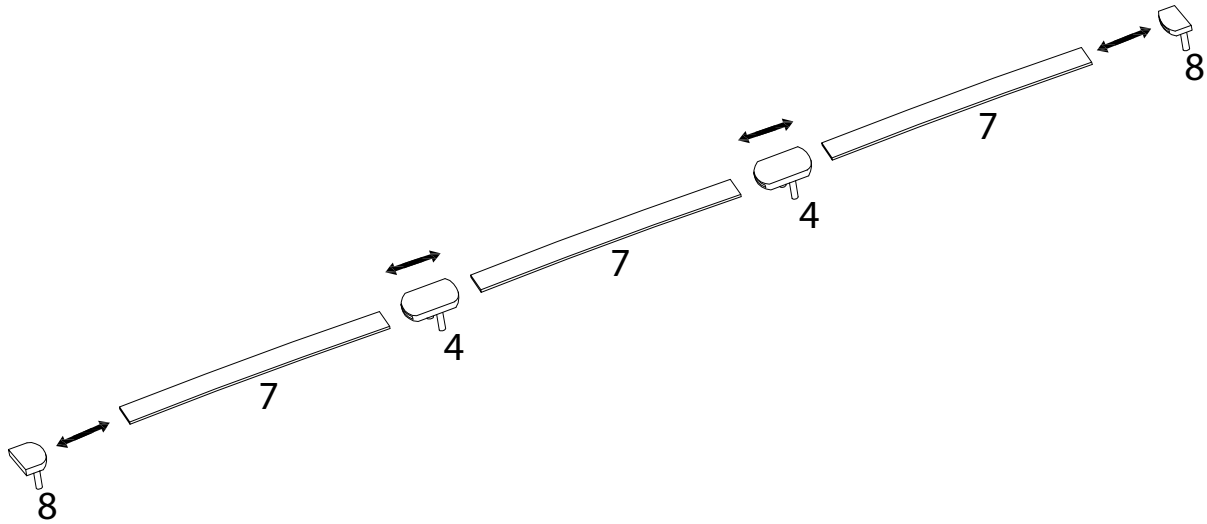
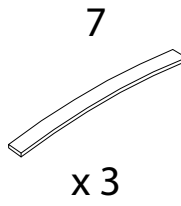
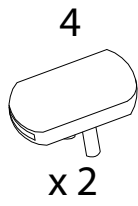
5



6



7 x 15



8 x 15

