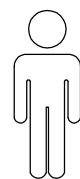
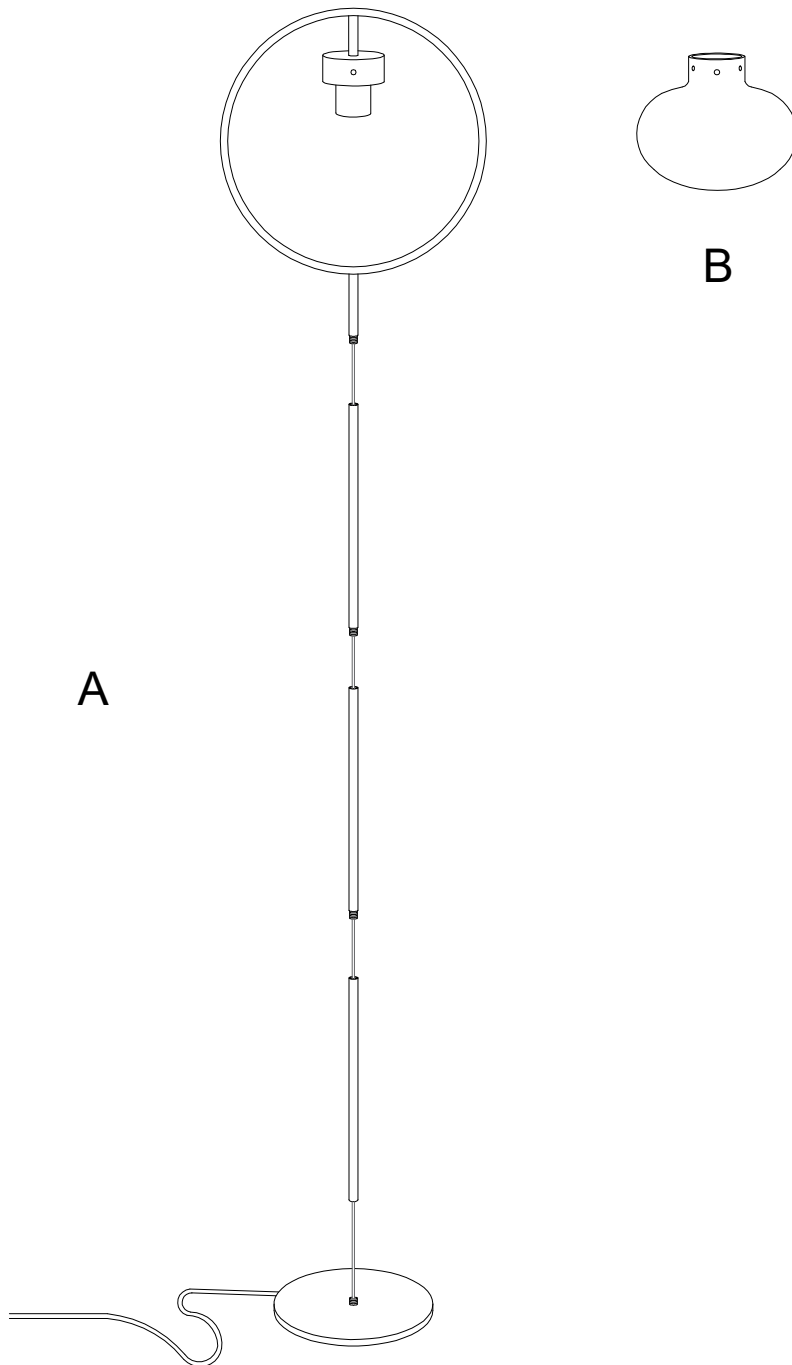
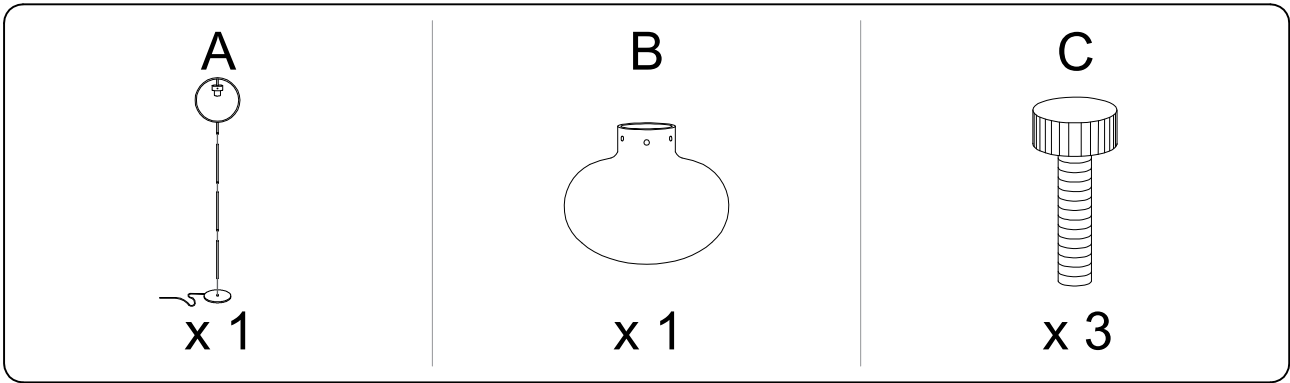


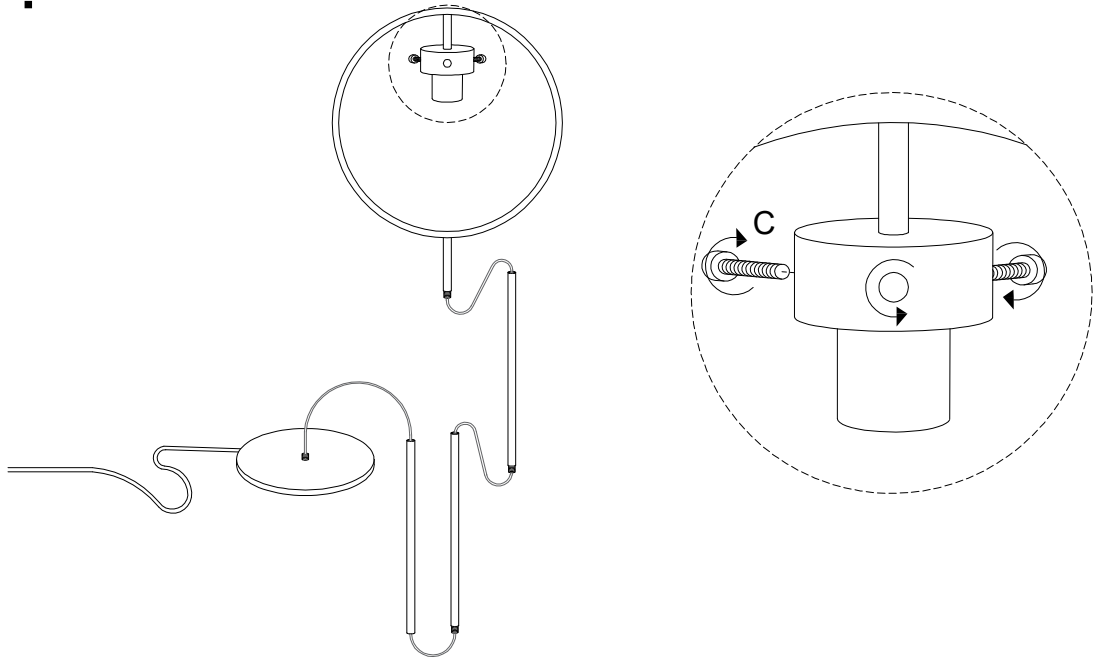
10'



1

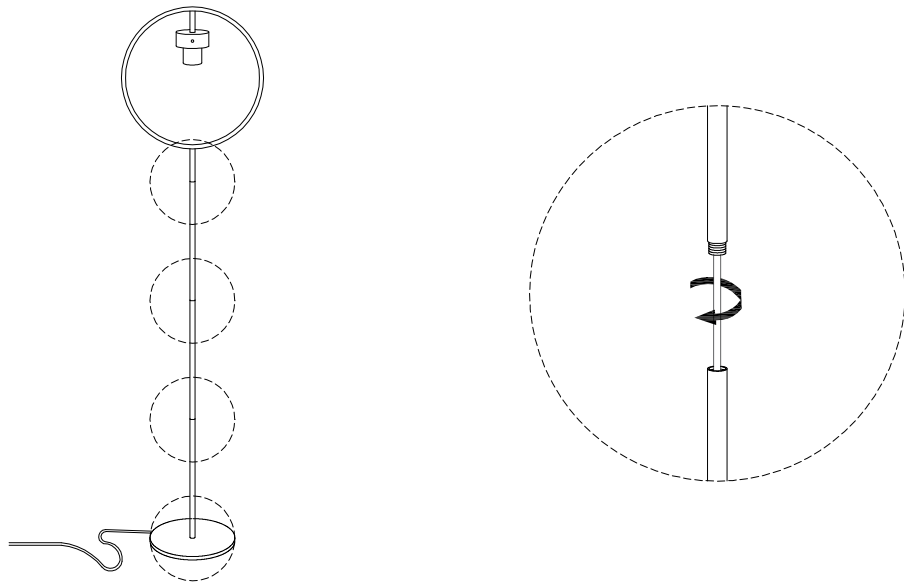


!

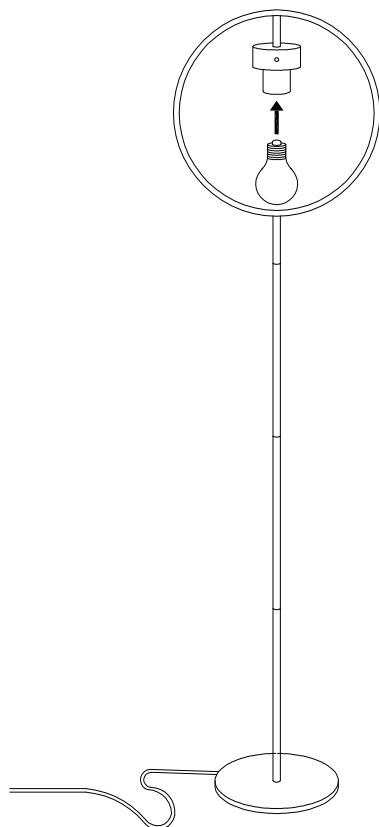


1

A
X 1



2



3

