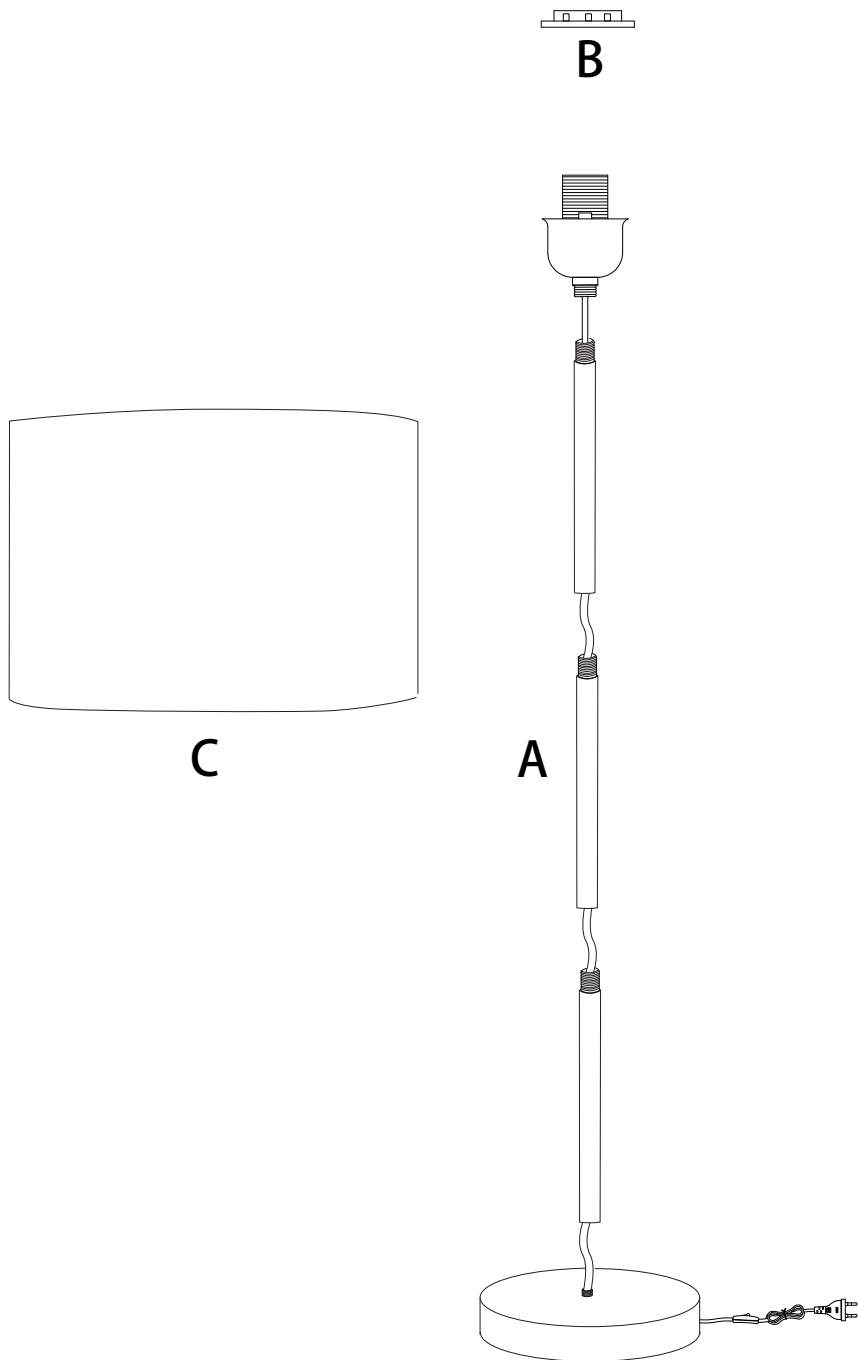
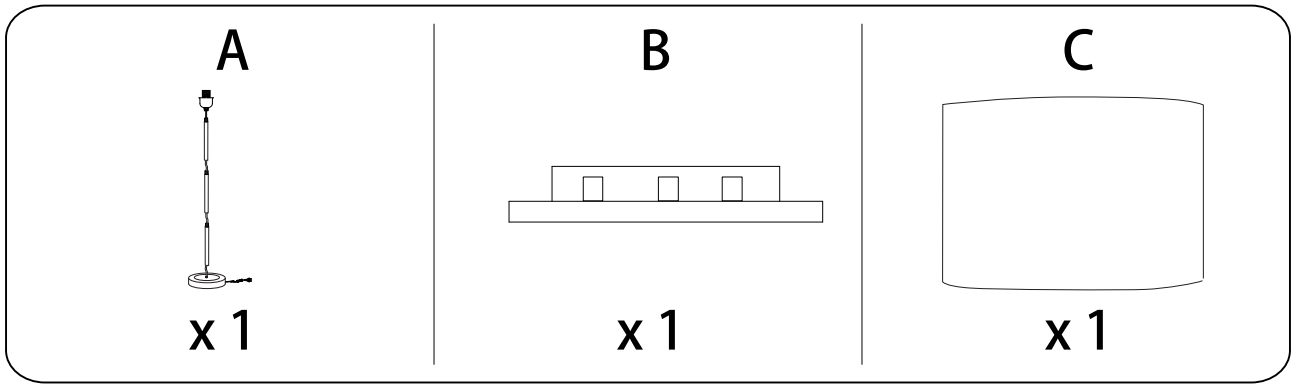


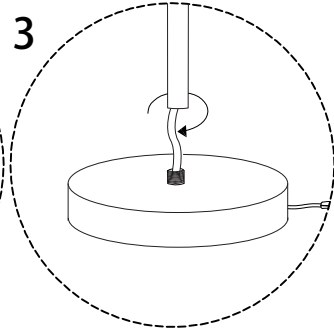
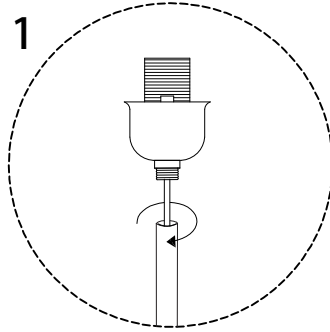
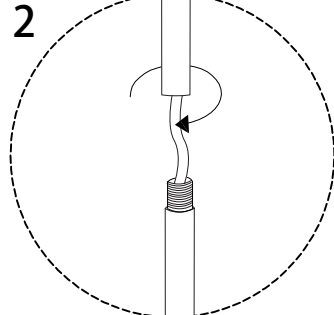
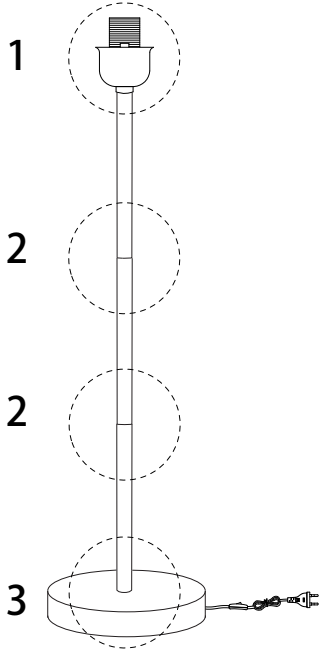
15'

1

1/4

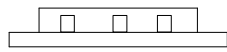


1



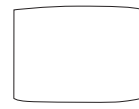
2

B

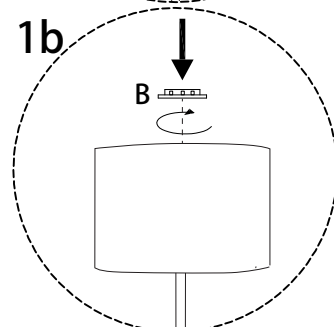
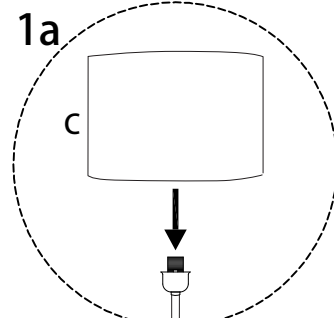
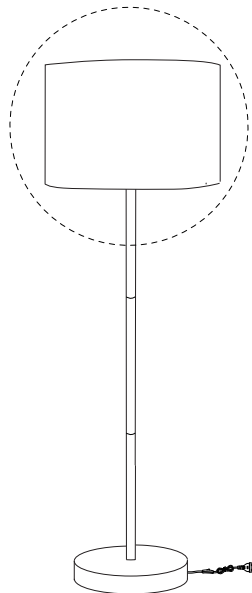


x 1

C



x 1



3

