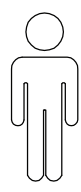
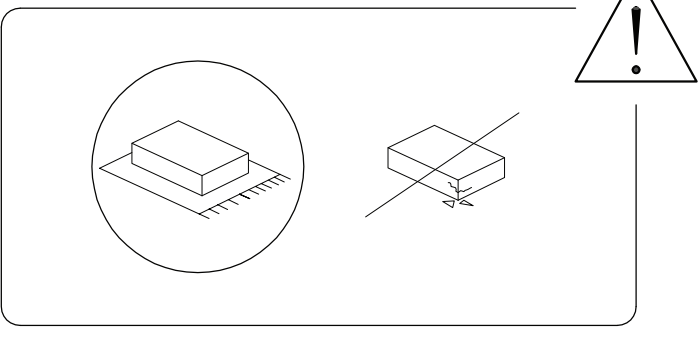
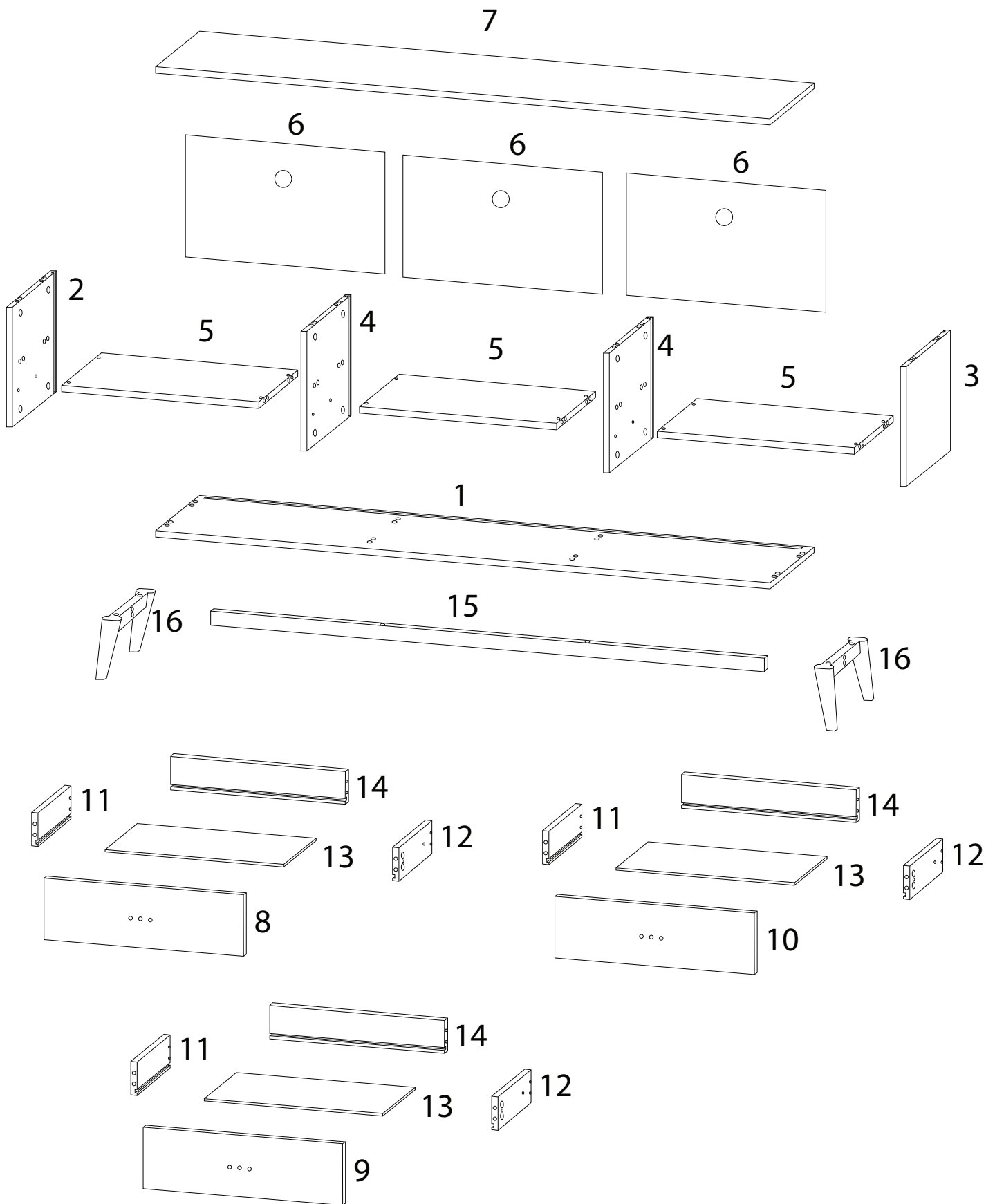

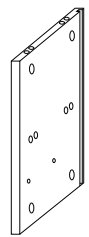

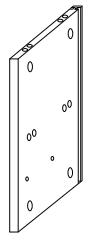
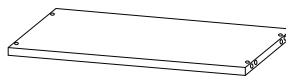
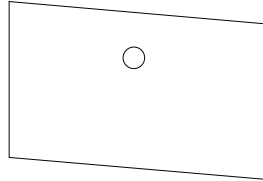

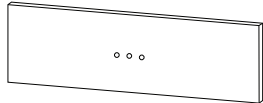
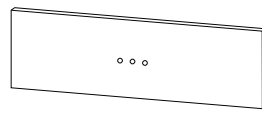
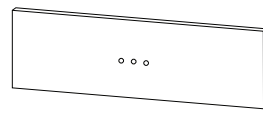
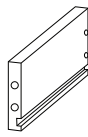
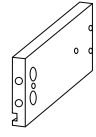
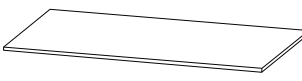


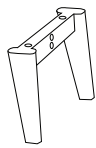


60'

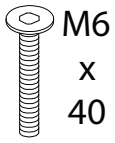


2



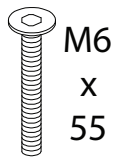
<p>1</p>  <p>x 1</p>	<p>2</p>  <p>x 1</p>	<p>3</p>  <p>x 1</p>	<p>4</p>  <p>x 2</p>
<p>5</p>  <p>x 3</p>	<p>6</p>  <p>x 3</p>	<p>7</p>  <p>x 1</p>	<p>8</p>  <p>x 1</p>
<p>9</p>  <p>x 1</p>	<p>10</p>  <p>x 1</p>	<p>11</p>  <p>x 3</p>	<p>12</p>  <p>x 3</p>
<p>13</p>  <p>x 3</p>	<p>14</p>  <p>x 4</p>	<p>15</p>  <p>x 1</p>	<p>16</p>  <p>x 2</p>

A



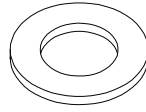
x 8

B1



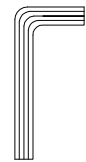
x 2

B2



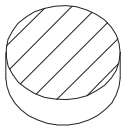
x 2

C



x 1

D



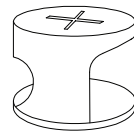
x 4

E



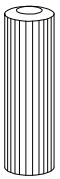
x 40

F



x 40

G



x 28

H1



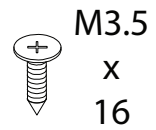
x 6

H2



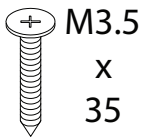
x 6

I



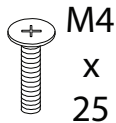
x 24

J



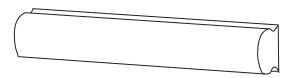
x 12

K



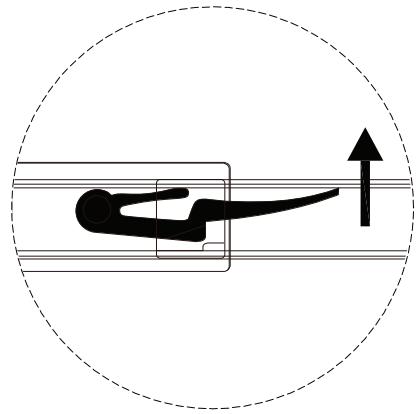
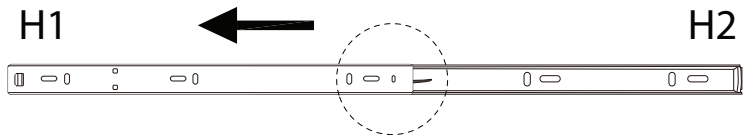
x 9

L

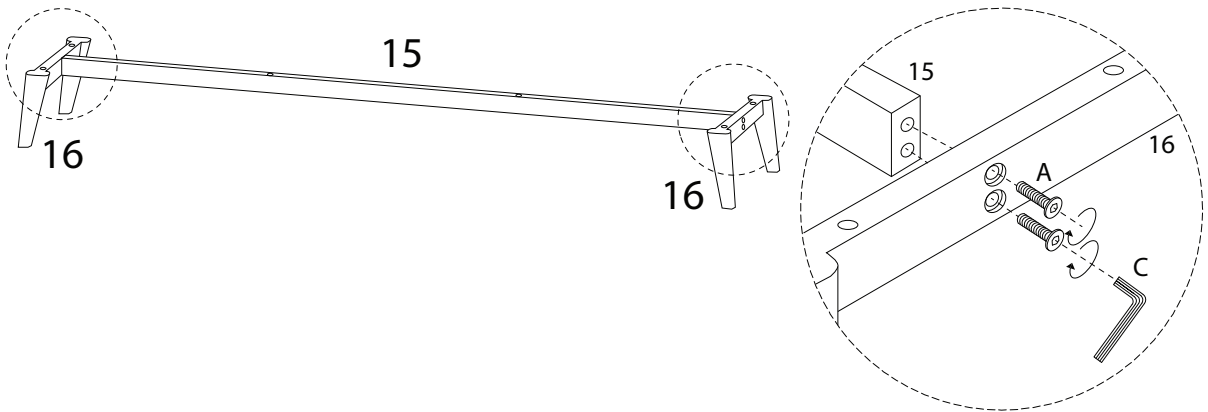
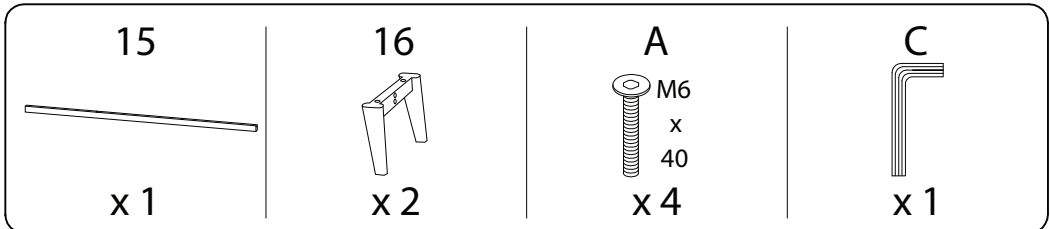


x 3

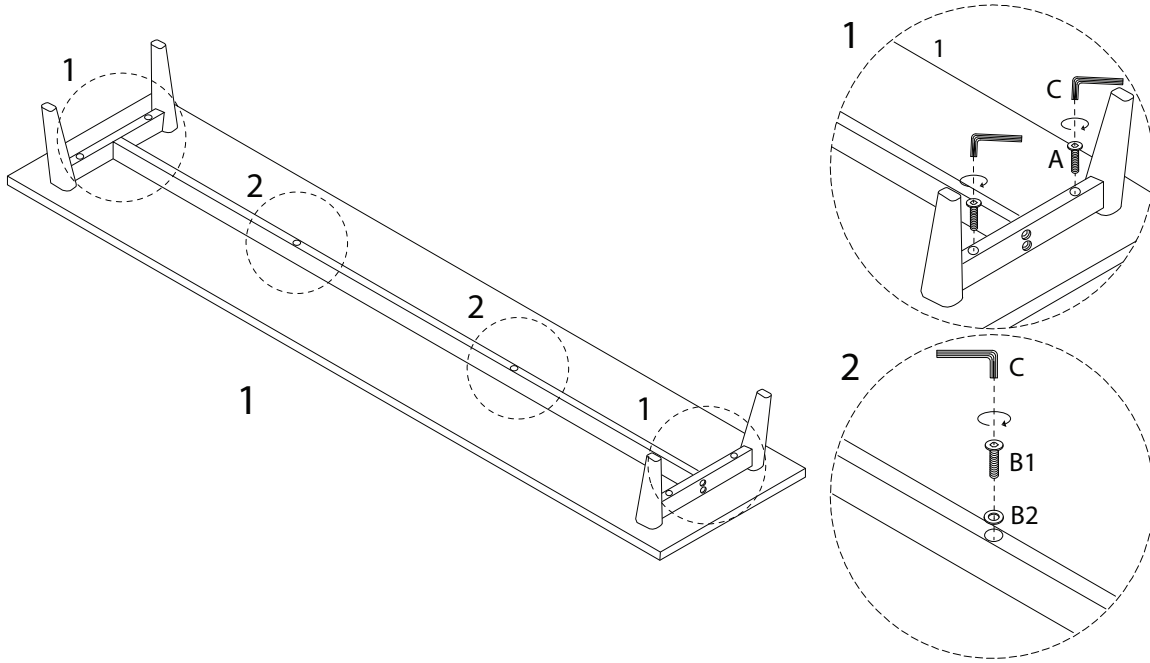
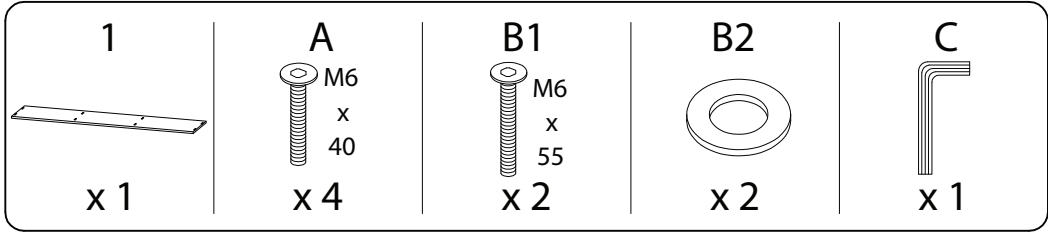
!



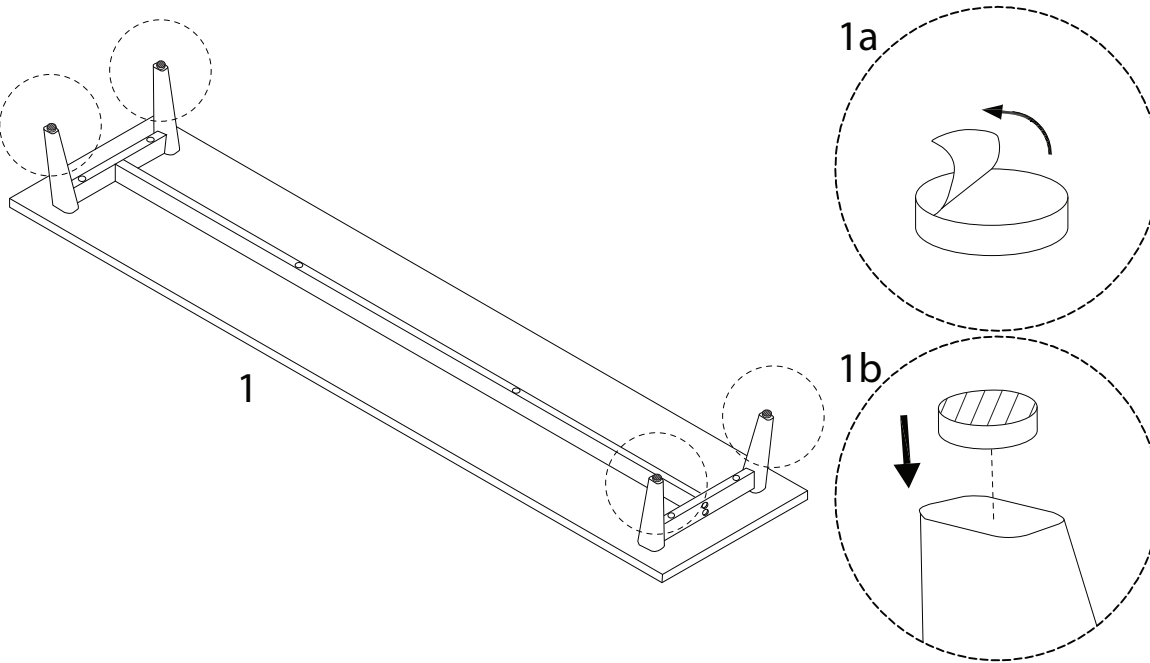
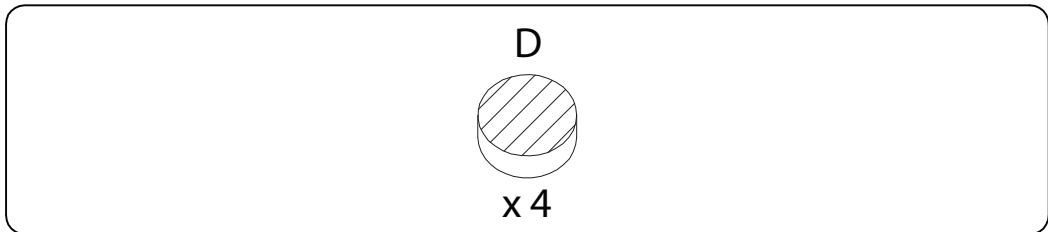
1



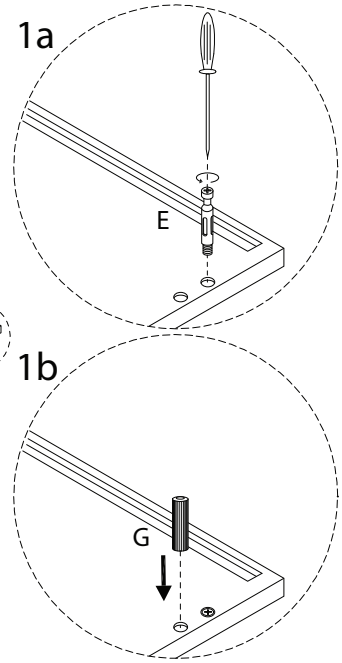
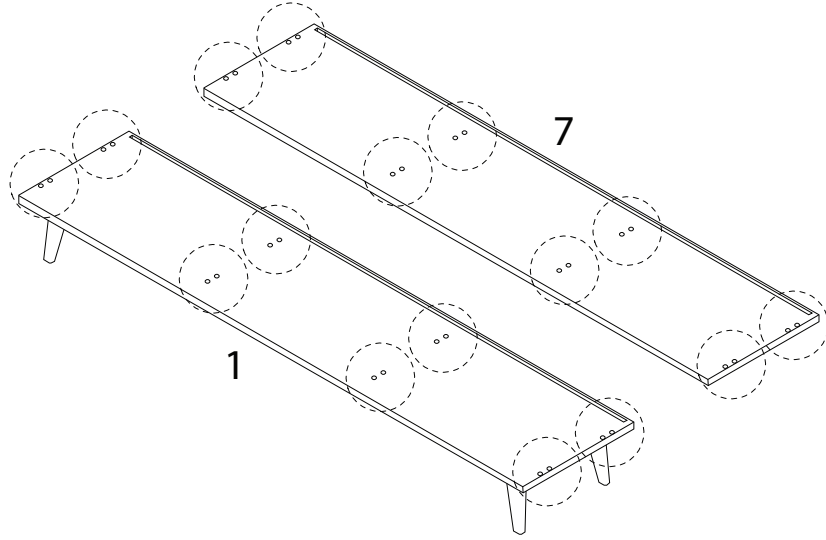
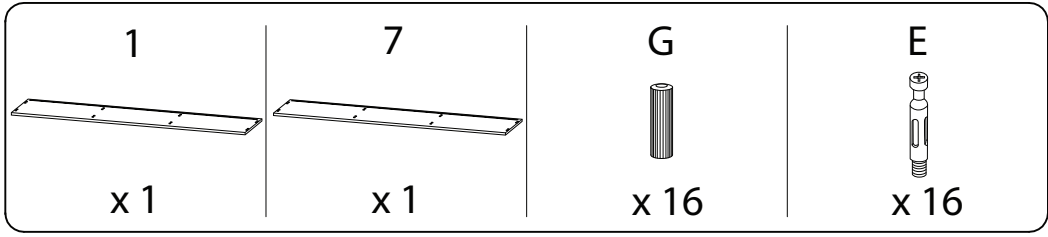
2



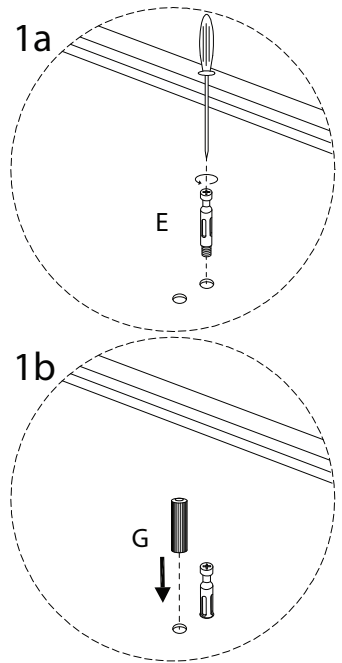
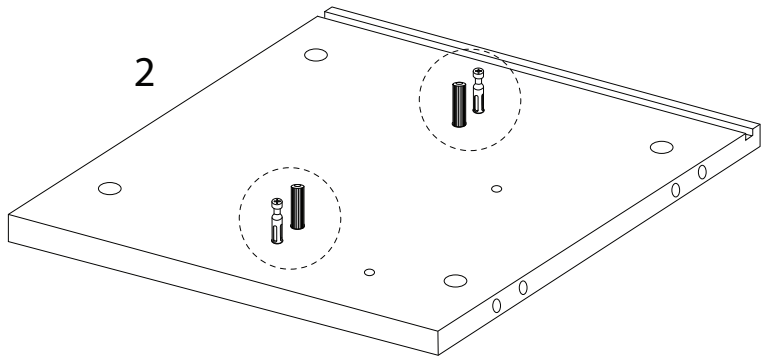
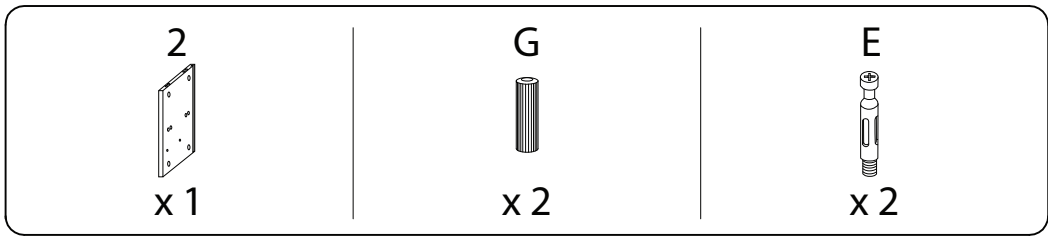
3



4



5



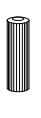
6

3



x 1

G

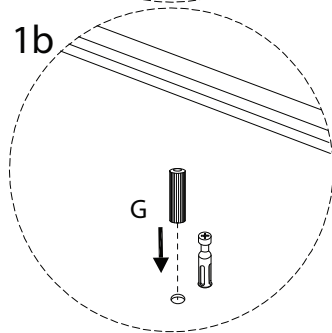
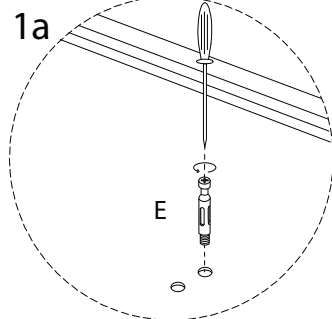
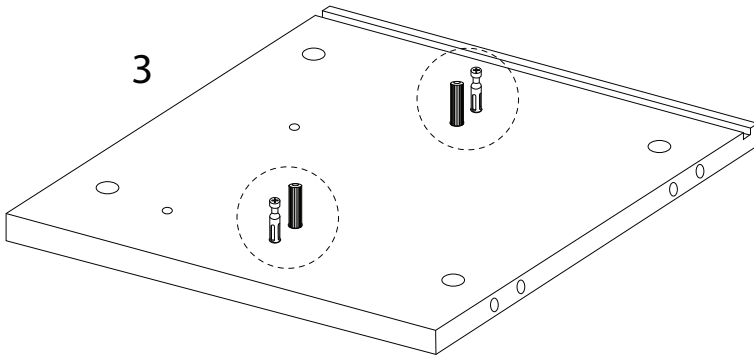


x 2

E



x 2



7

4



x 2

G

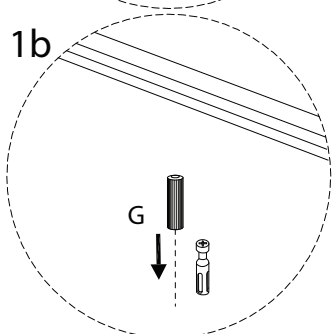
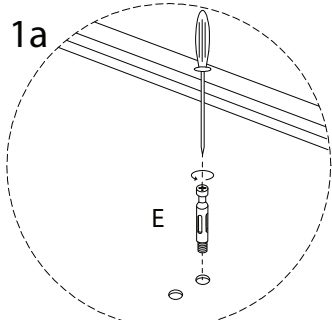
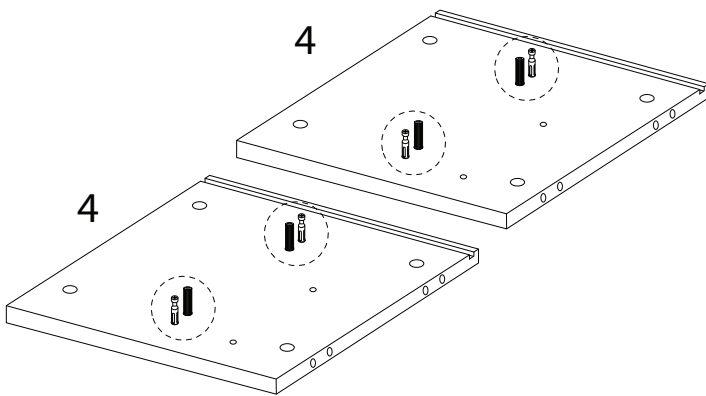


x 4

E



x 4





8

G

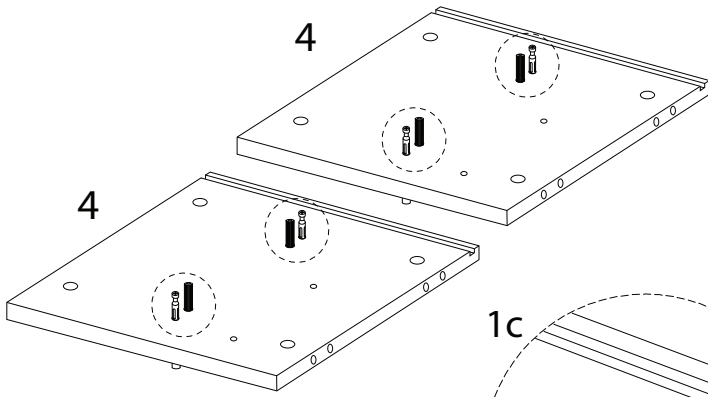


x 4

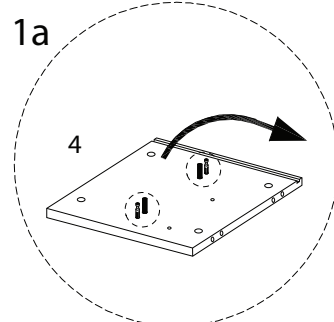
E



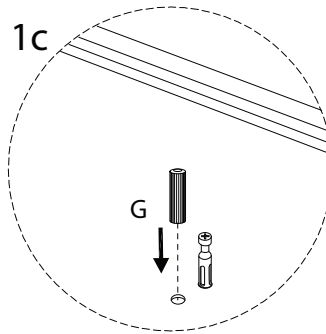
x 4



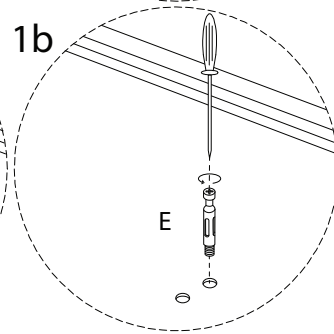
1a



1c

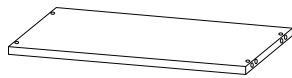


1b



9

5

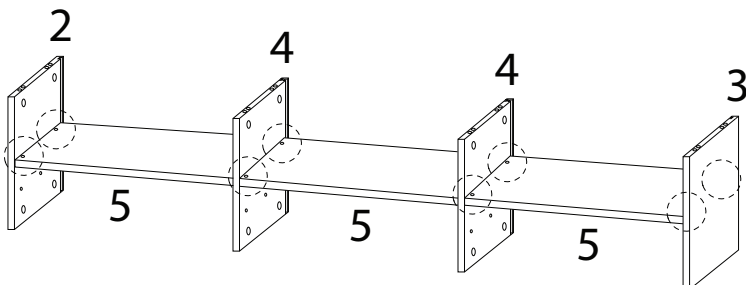


x 3

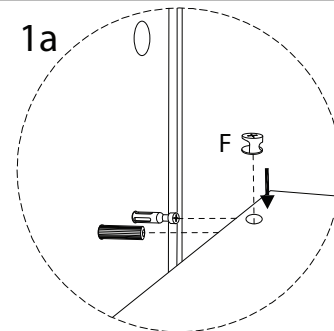
F



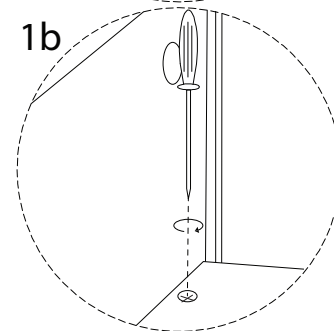
x 12



1a



1b

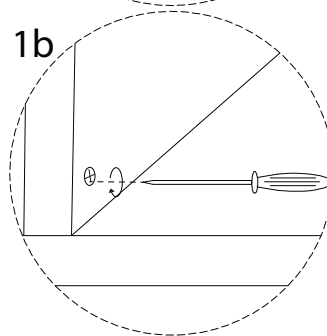
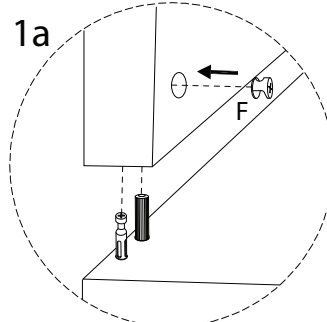
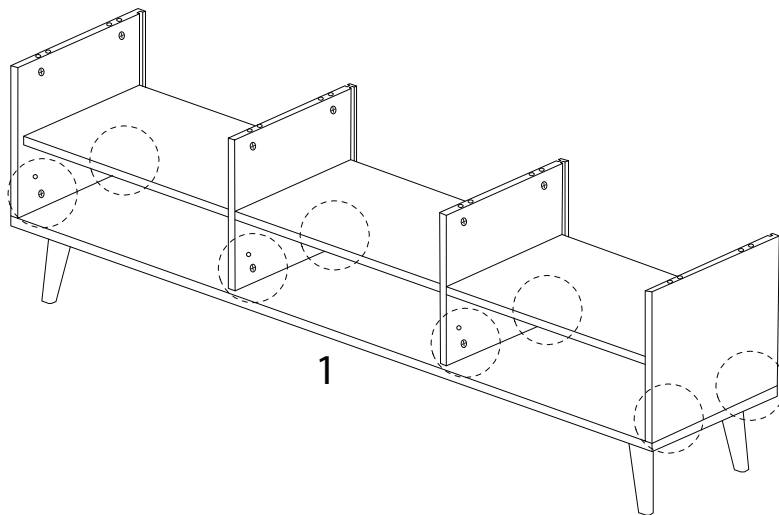


10

F

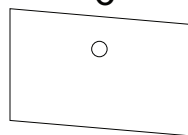


x 8

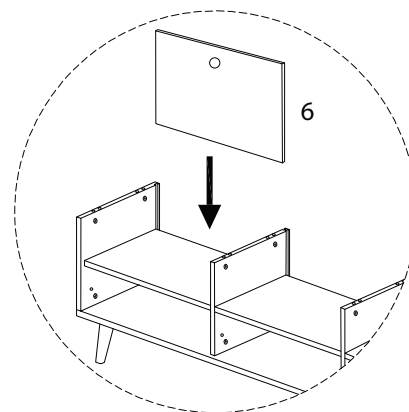
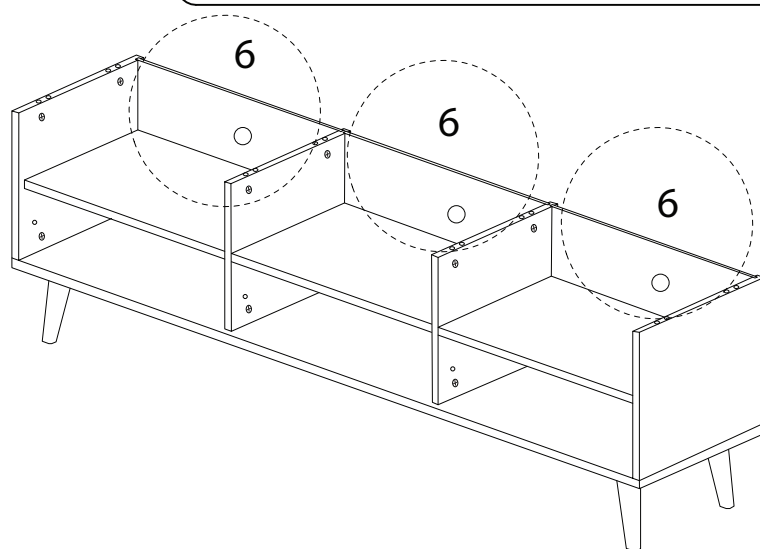


11

6



x 3

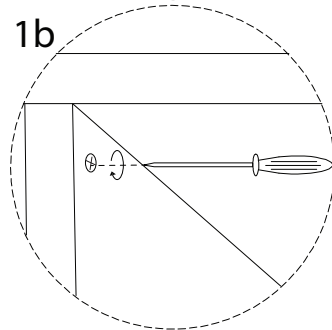
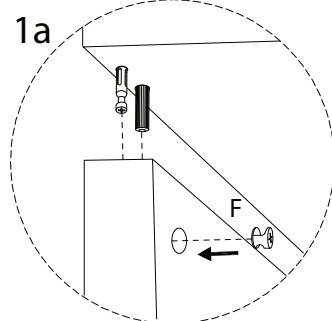
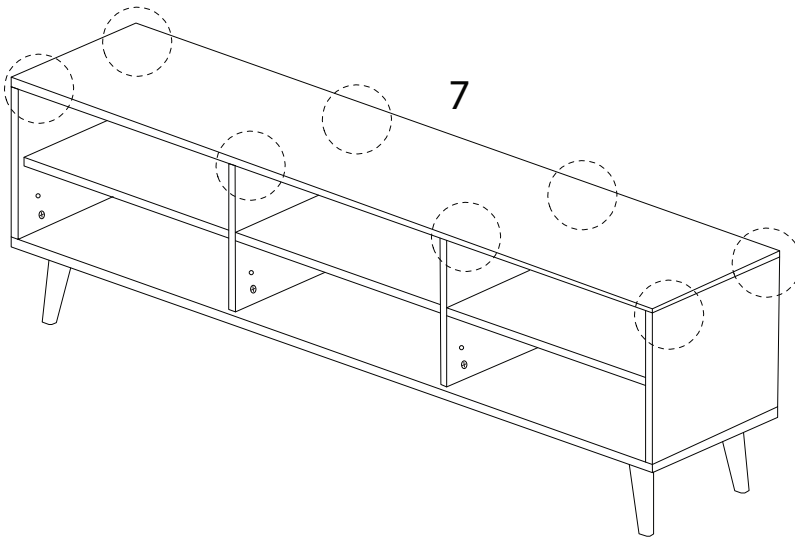


12

F



x 8



13

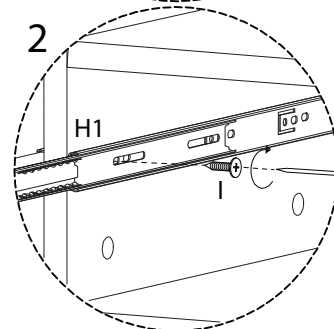
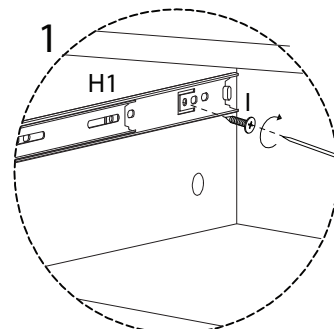
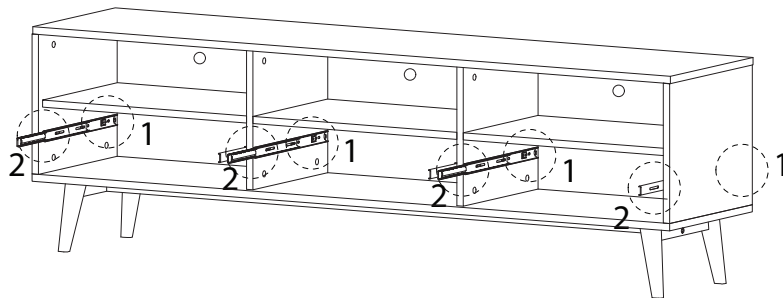
I  
M3.5  
x  
16  
x 12



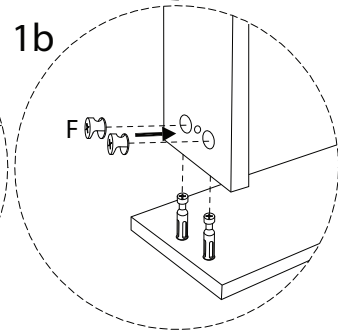
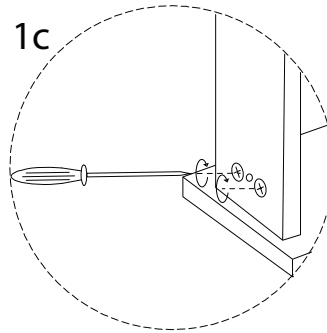
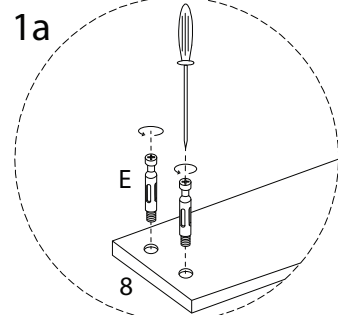
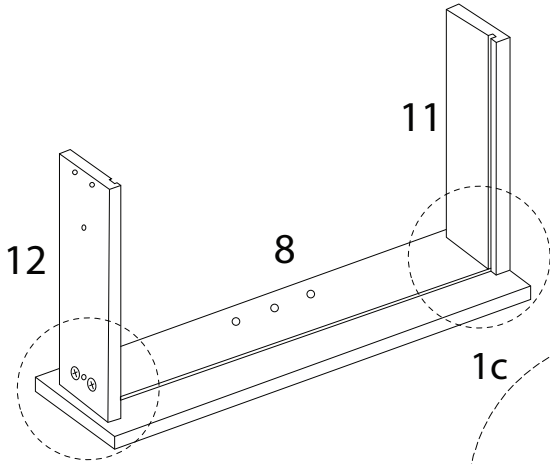
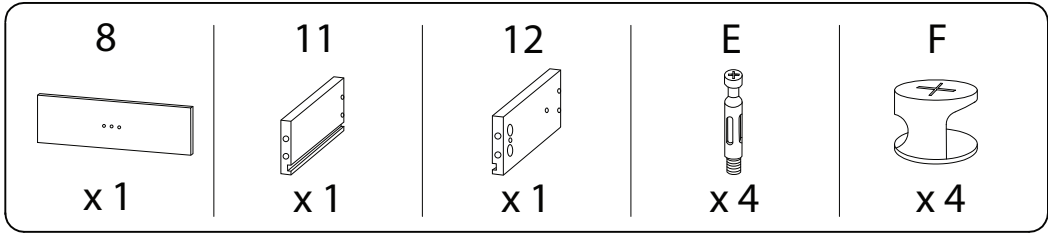
H1



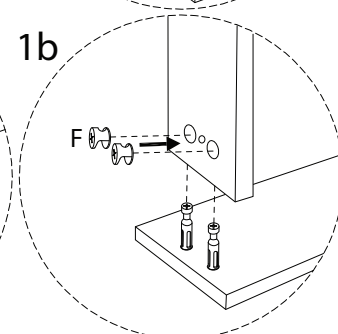
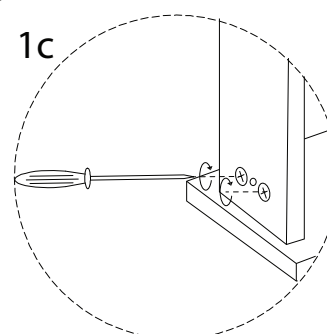
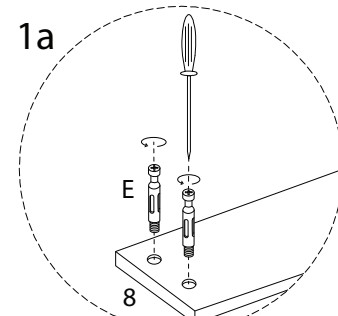
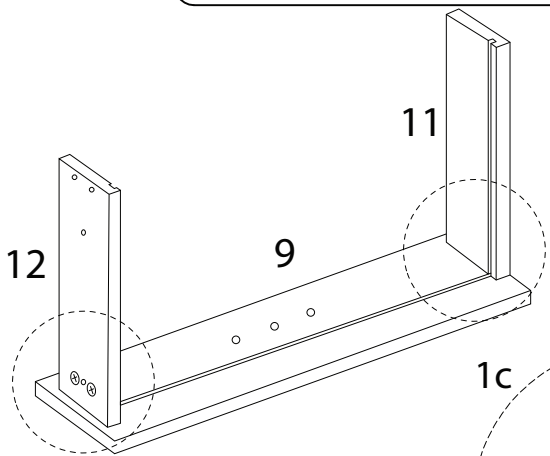
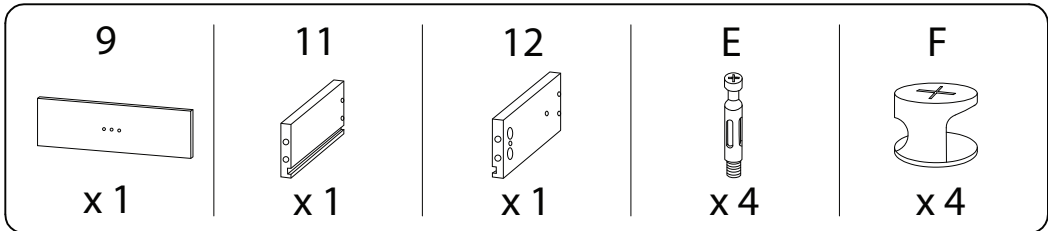
x 6




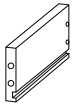
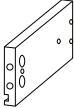


14

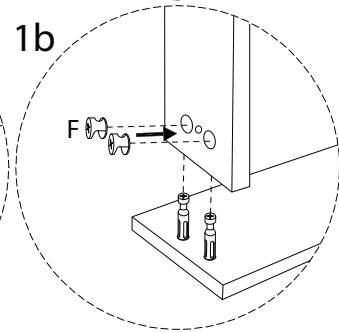
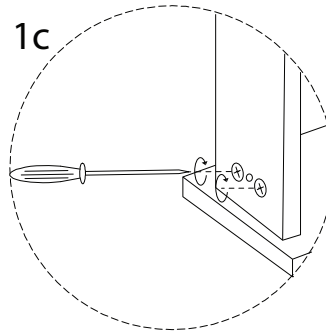
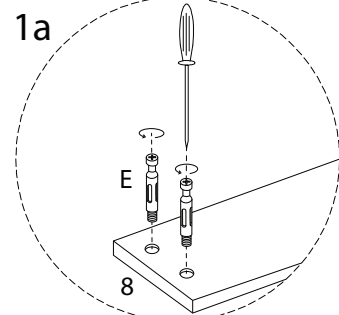
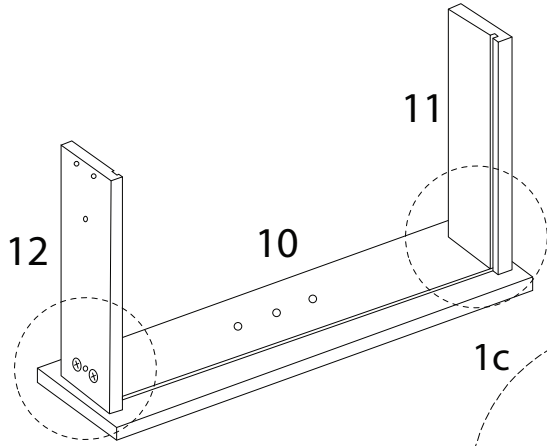


15

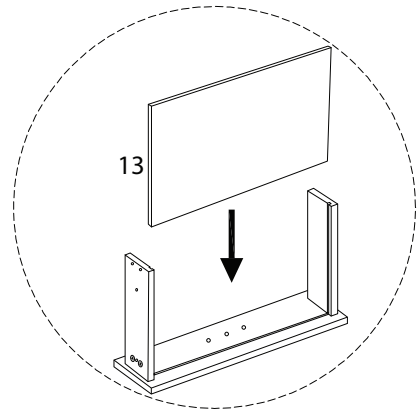
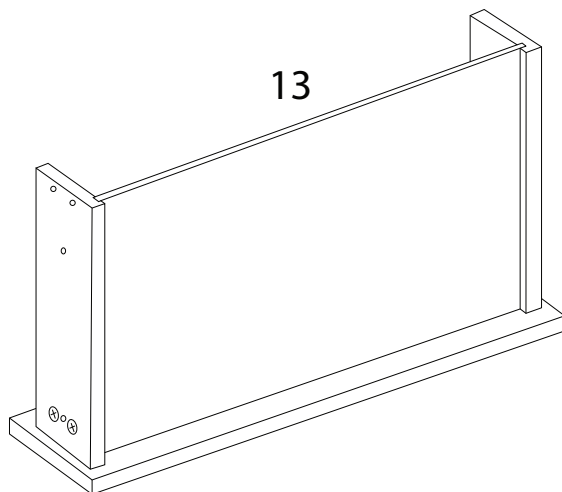
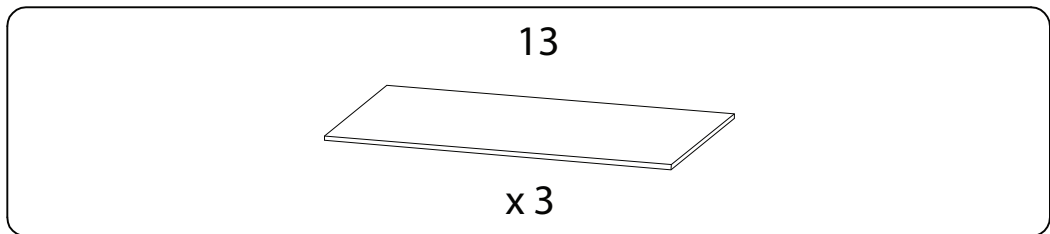


16

10  x 1	11  x 1	12  x 1	E  x 4	F  x 4
--	--	--	---	---



17 x 3



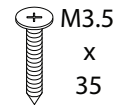
18 x 3

14

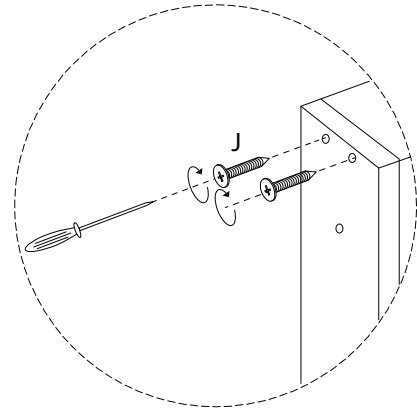
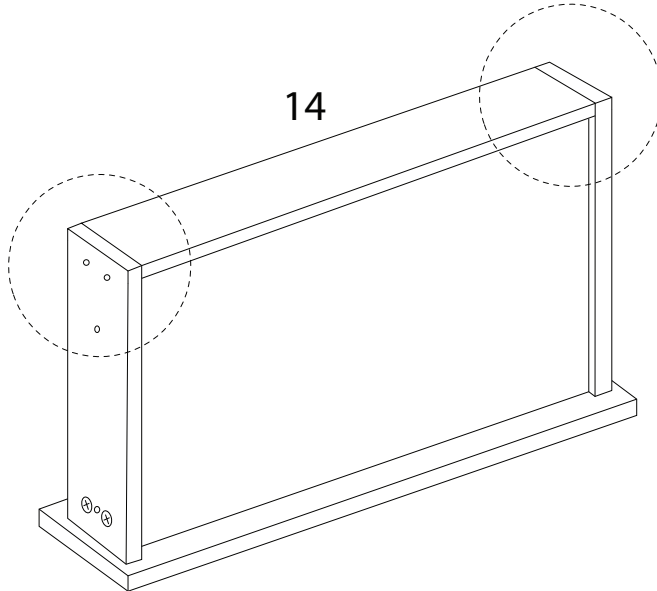


x 3

J



x 12



19 x 3

K

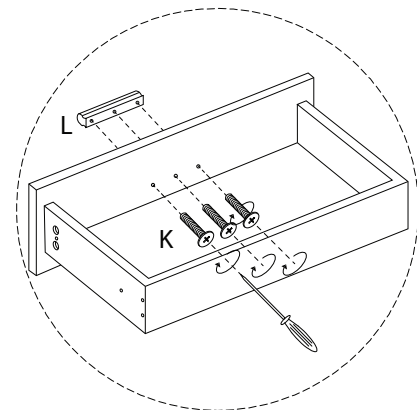
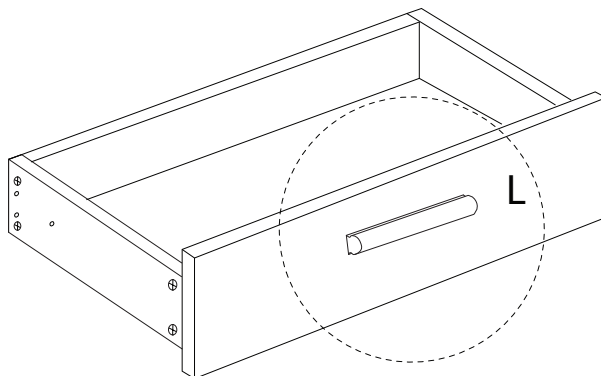


x 9

L



x 3



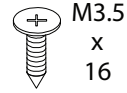
20 x 3

H2

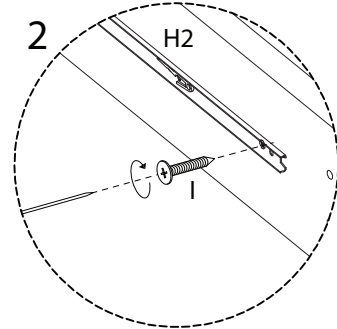
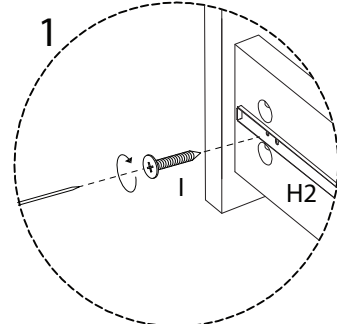
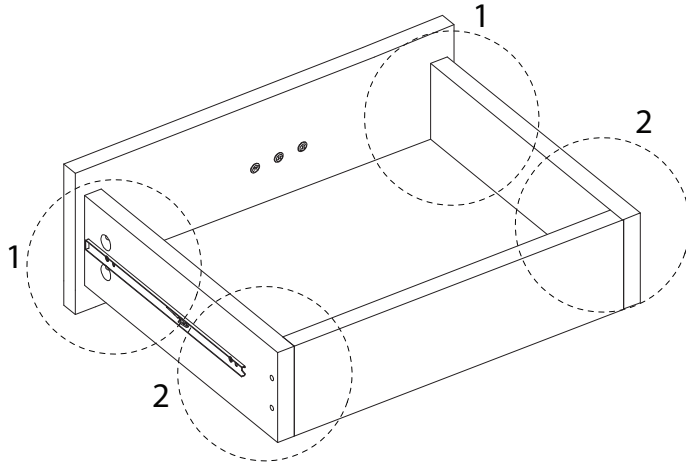


x 6

I



x 12



21

