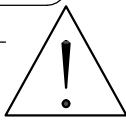
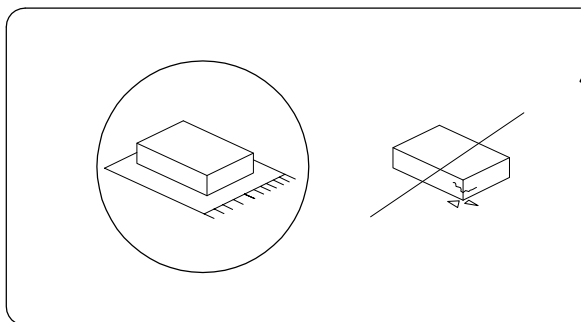
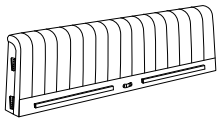
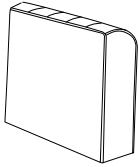
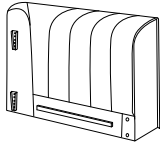

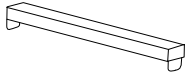
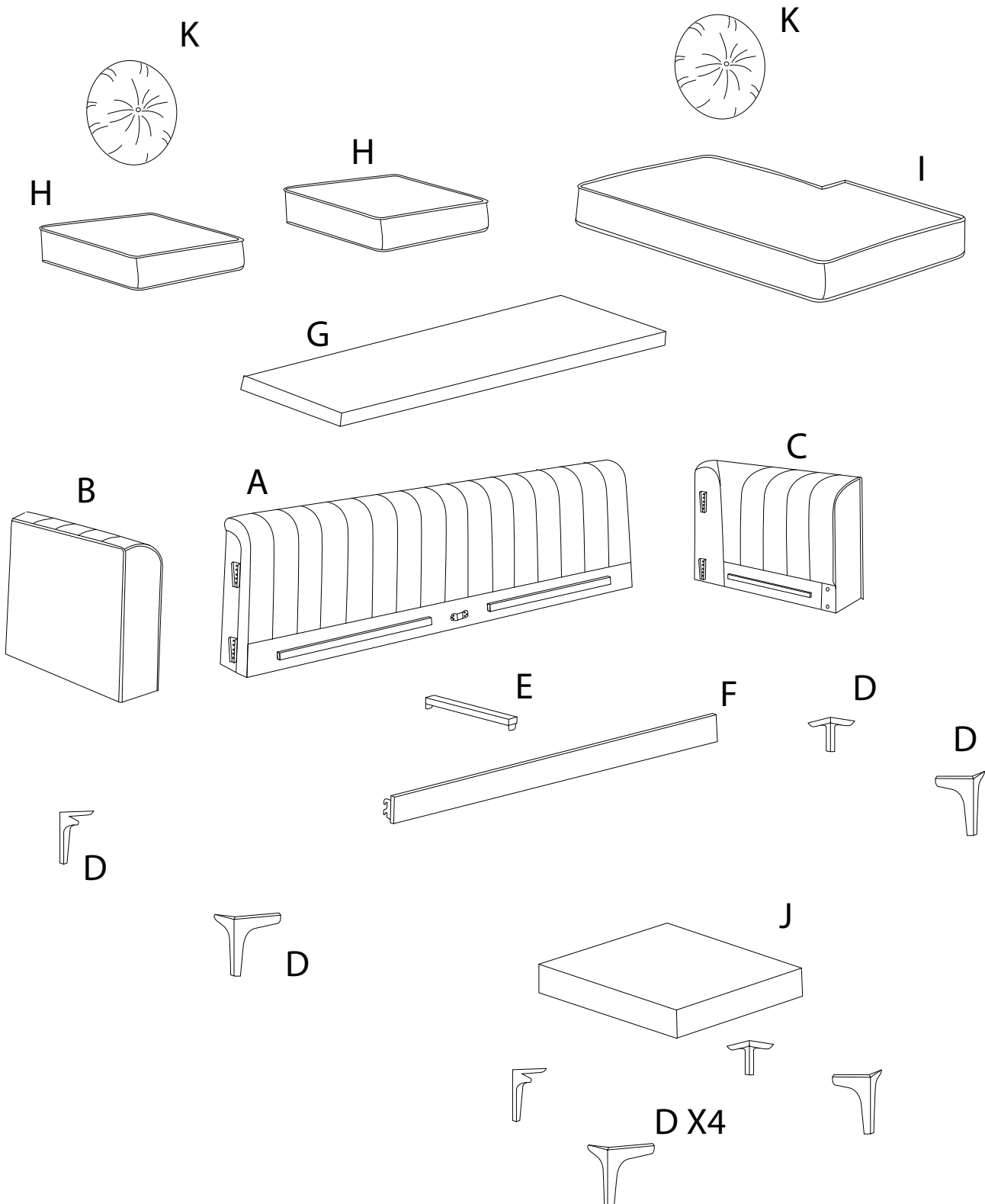


40'

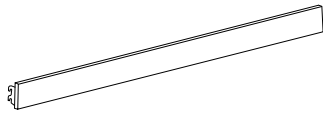


1

A	B	C	D	E
				
x1	x1	x1	x8	x1

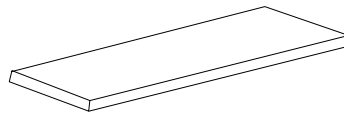


F



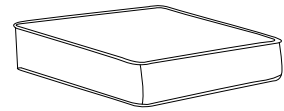
x 1

G



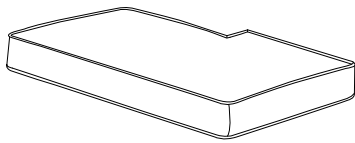
x 1

H



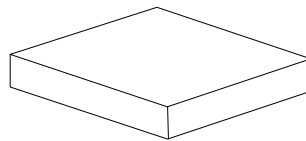
x 2

I



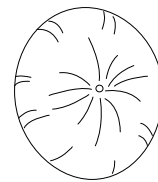
x 1

J



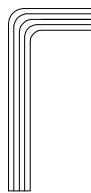
x 1

K



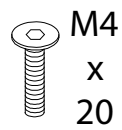
x 2

L



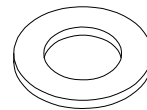
x 1

M



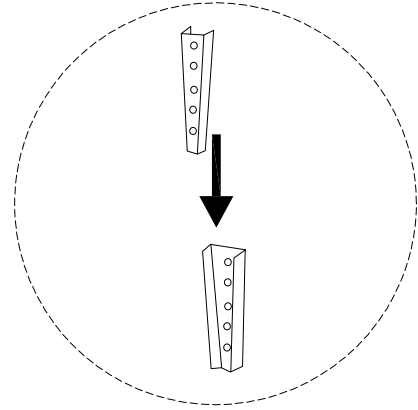
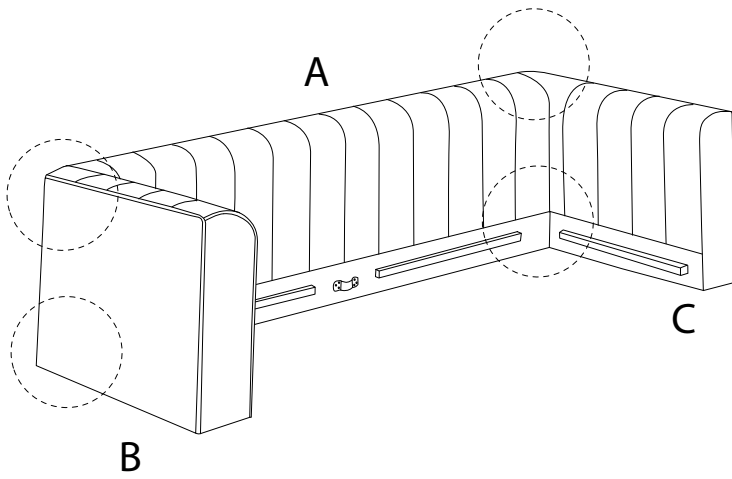
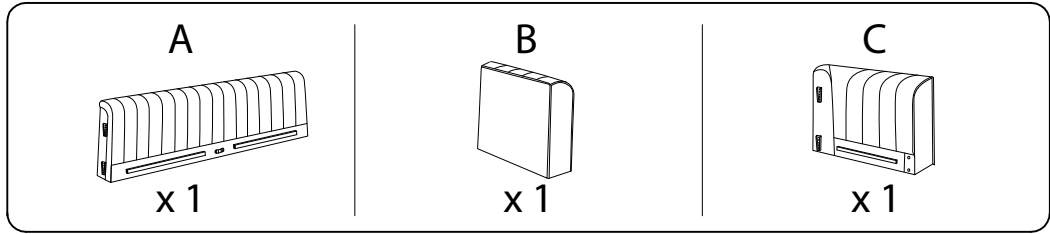
x 16

N

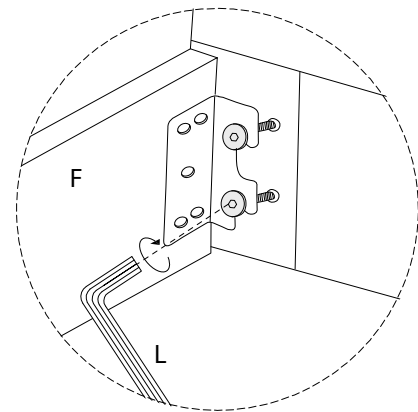
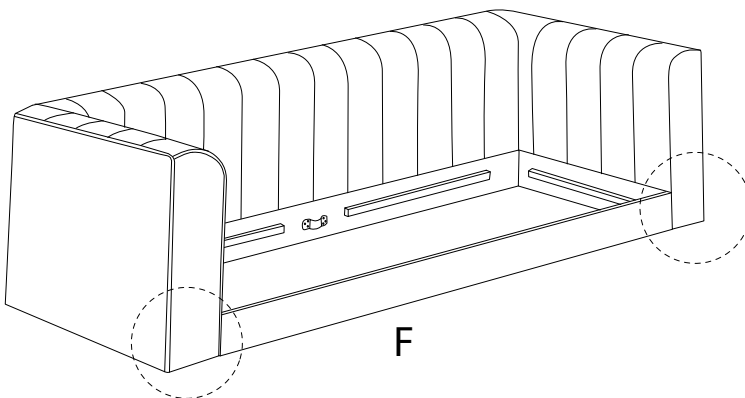
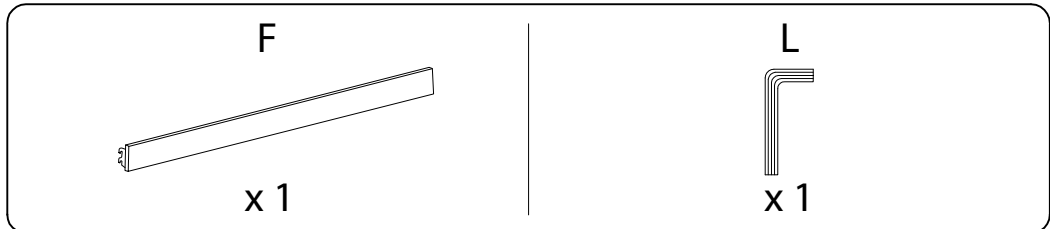


x 16

1

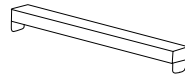


2

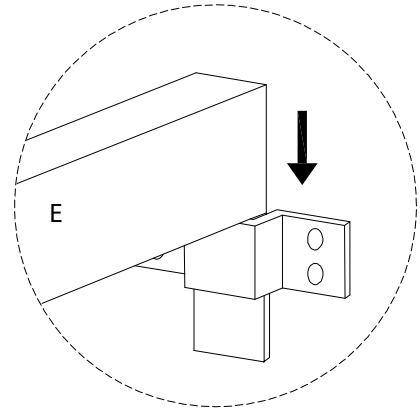
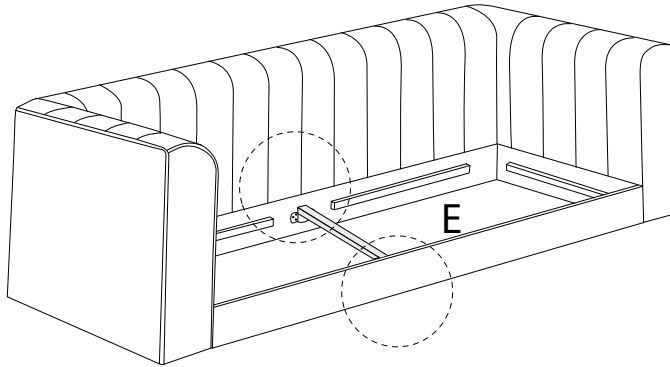


3

E

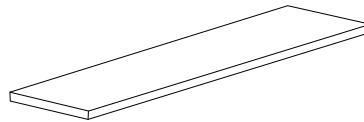


x 1

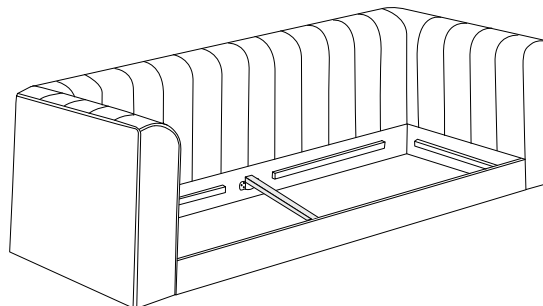
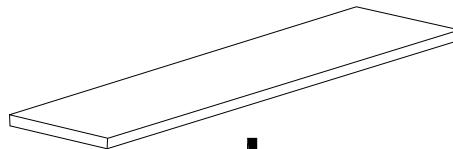


4

G



x 1



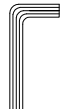
5

D



x 4

L



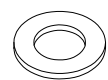
x 1

M

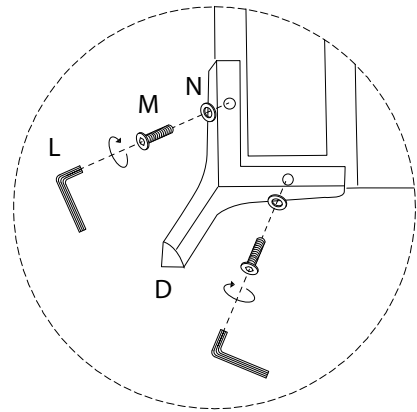
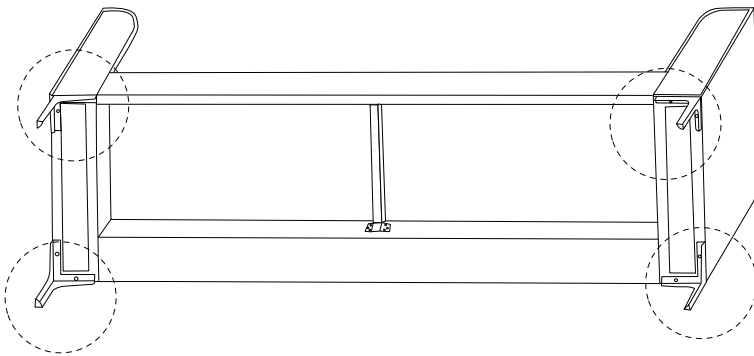


x 8

N



x 8



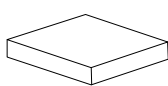
6

D



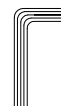
x 4

J



x 1

L



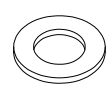
x 1

M

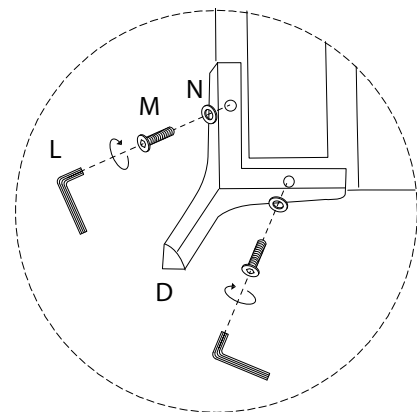
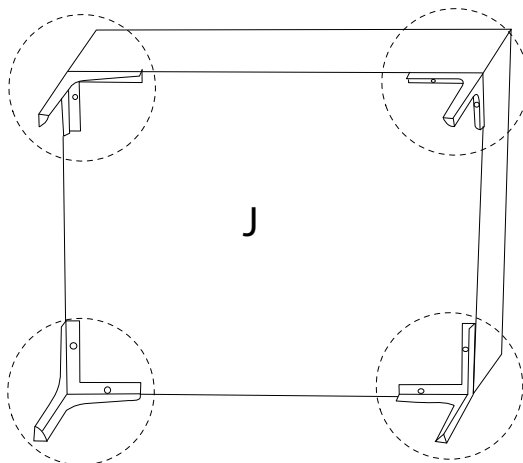


x 8

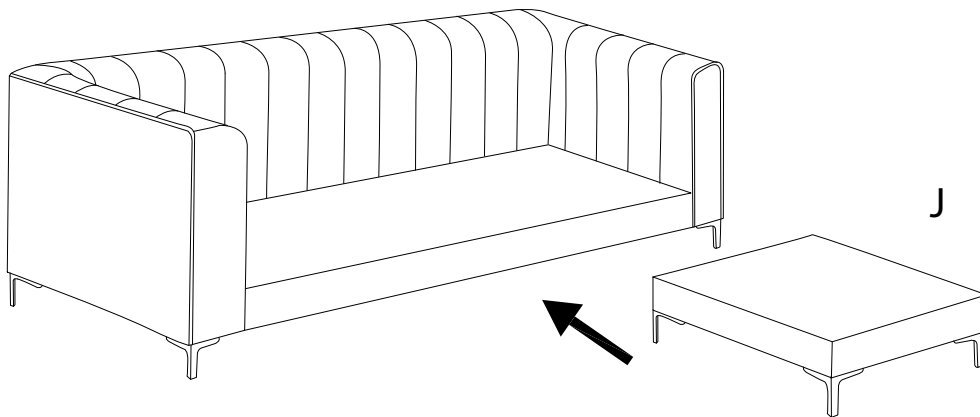
N



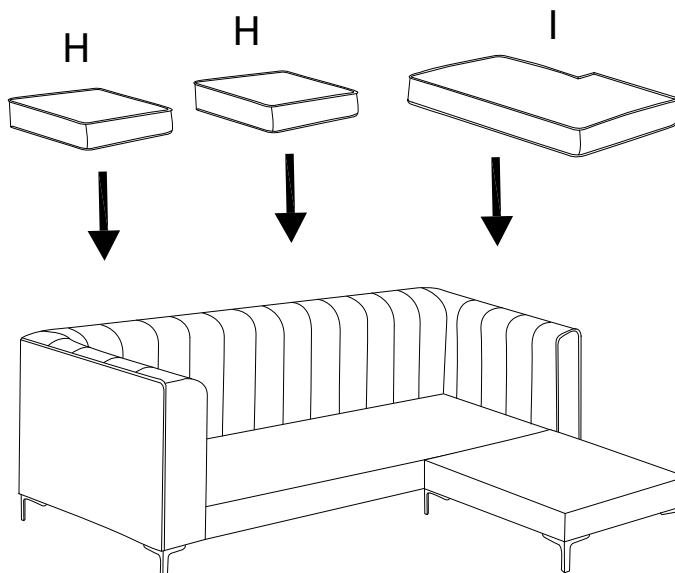
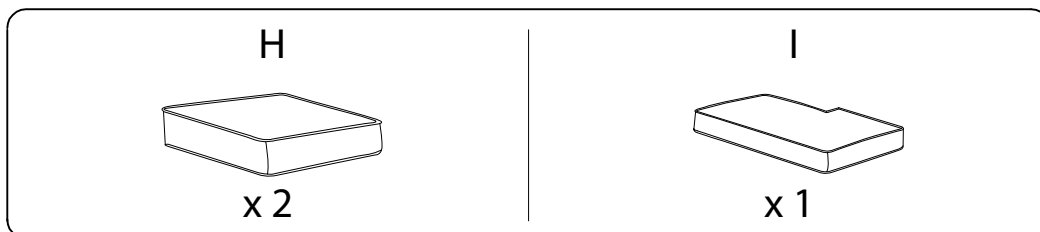
x 8



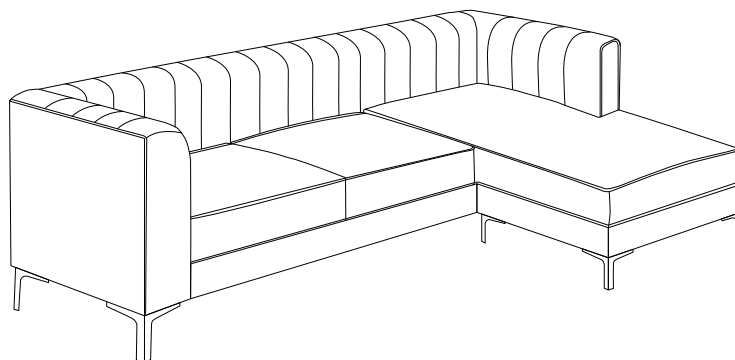
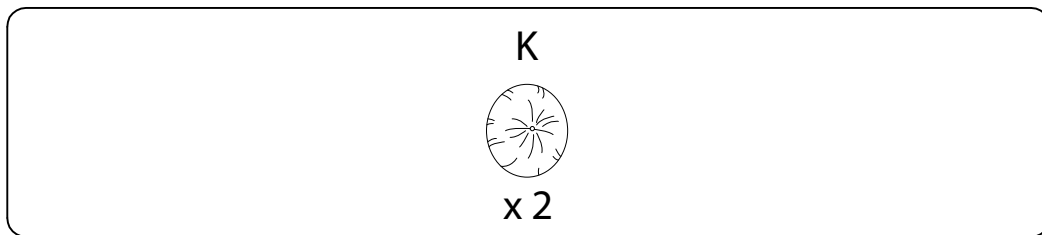
7



8



9



!

