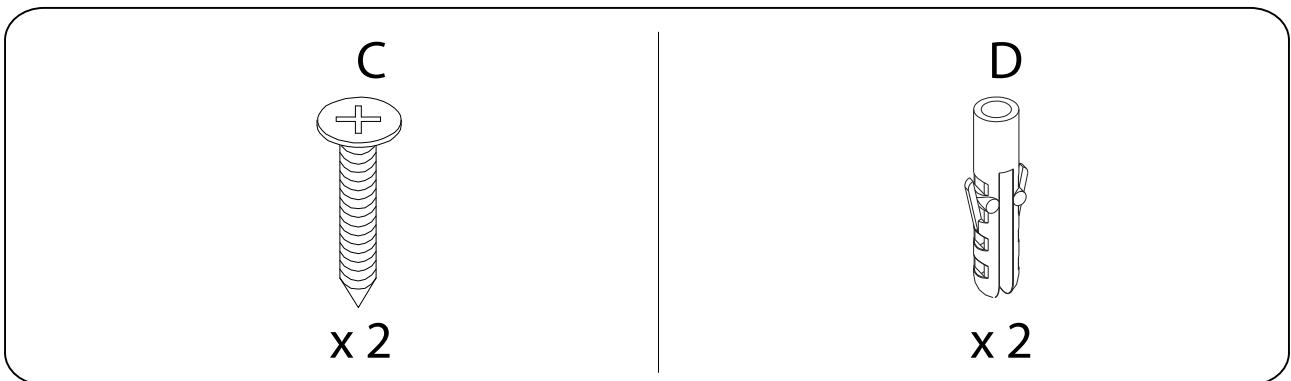
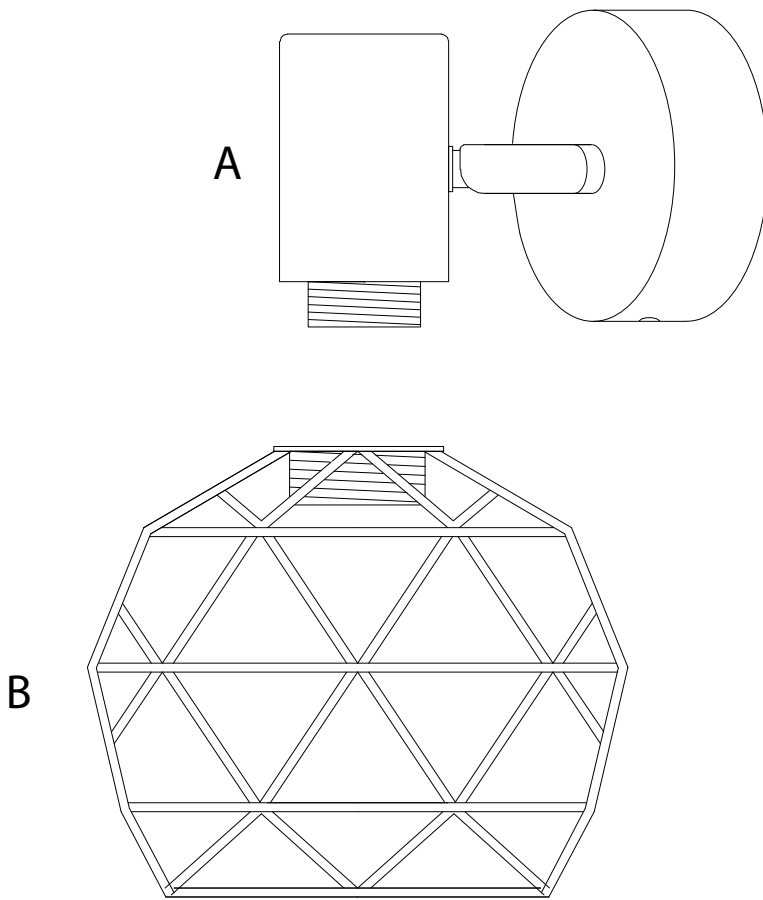
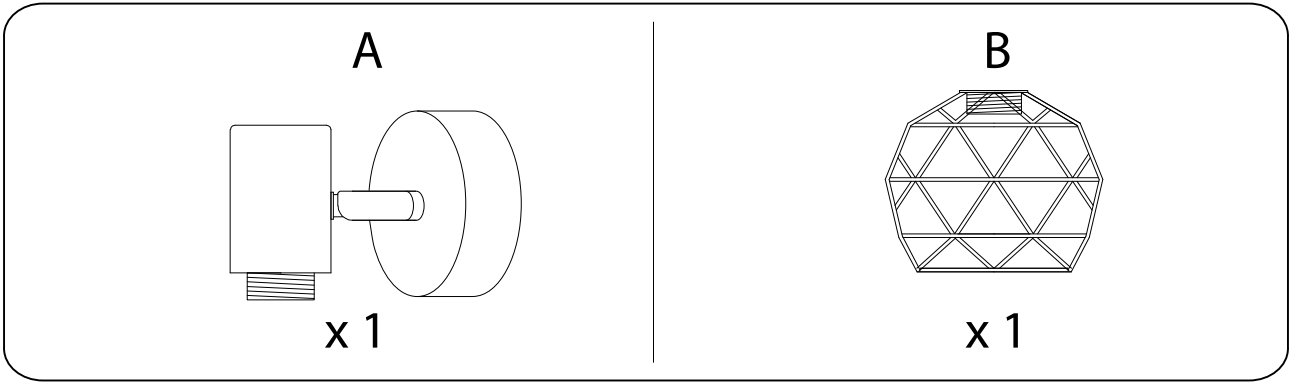


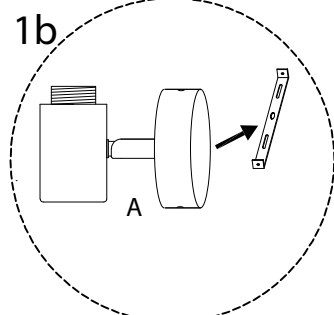
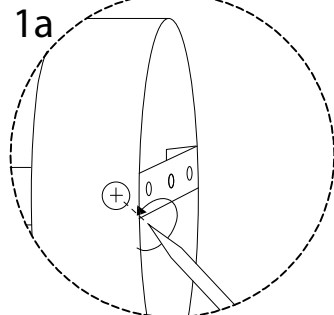
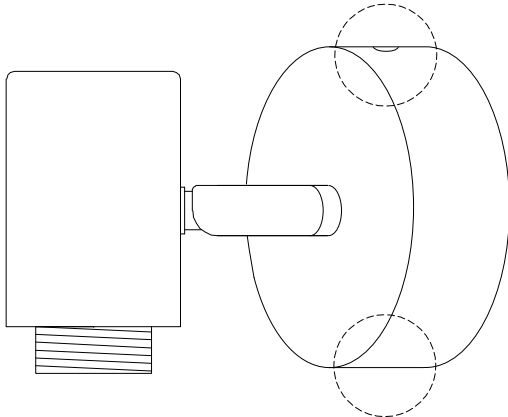
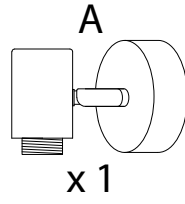
Assembly instructions for step 1/4:

- Tools:** A screwdriver and a power drill are shown in circular icons.
- Warning:** A triangle with an exclamation mark indicates a warning.
- Time:** A clock icon indicates a 15-minute duration.
- Personnel:** A person icon indicates that 1 person is required.
- Diagram:** A circular icon shows a rectangular component being placed on a base, with a second circular icon showing the component being secured with a screw.

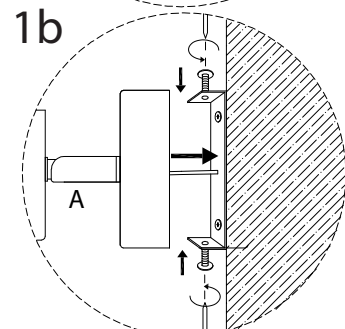
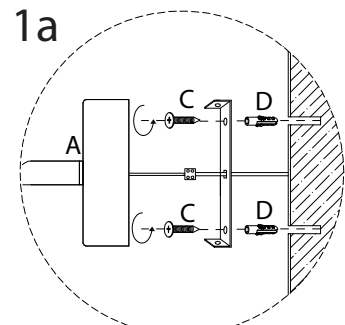
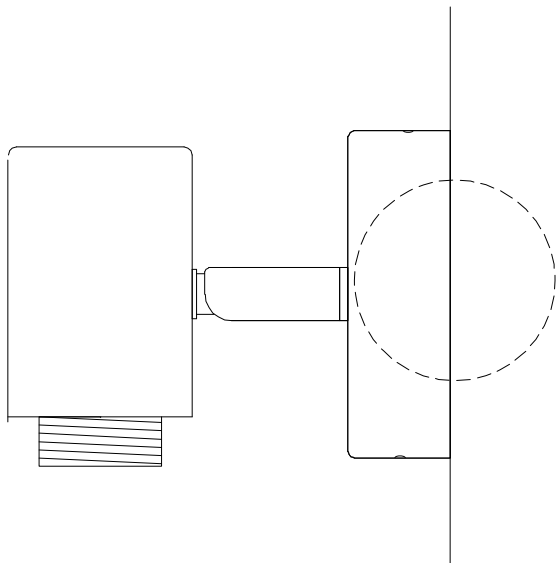
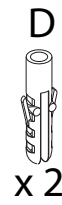
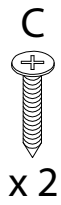
1/4



1



2



3

