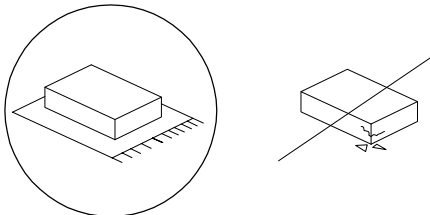

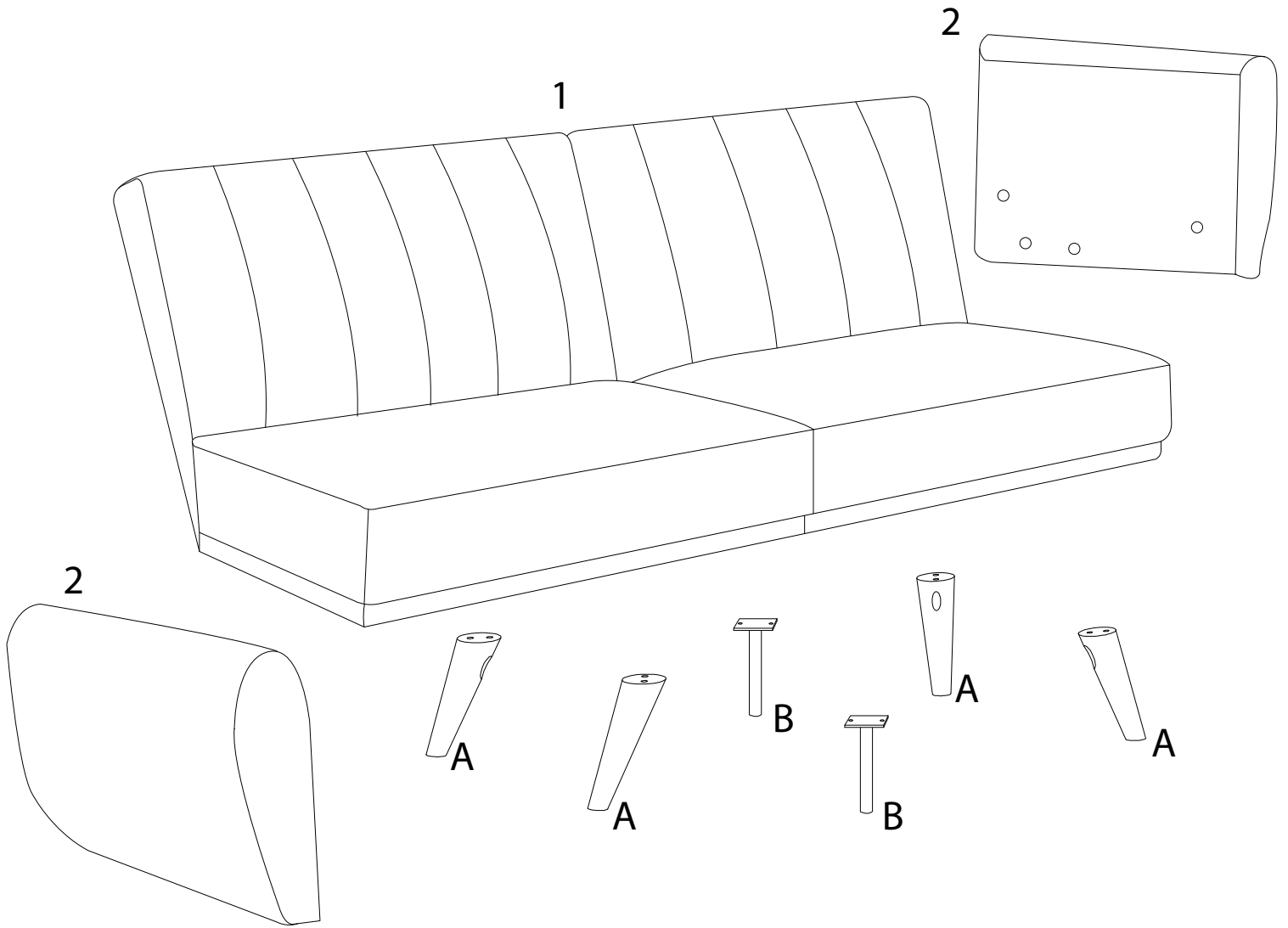
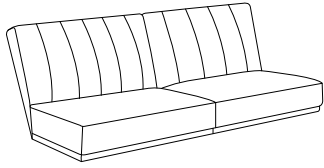
	<p>20'</p>
		
		<p>1</p>

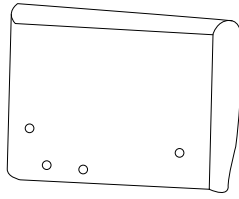


1



x 1

2



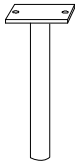
x 2

A



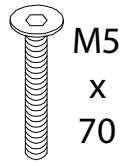
x 4

B



x 2

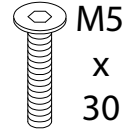
C



M5  
x  
70

x 4

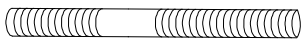
D



M5  
x  
30

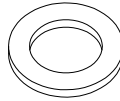
x 4

E



x 8

F



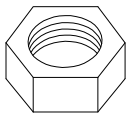
x 16

G



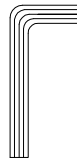
x 4

H



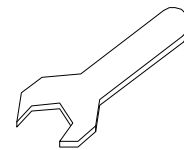
x 8

I



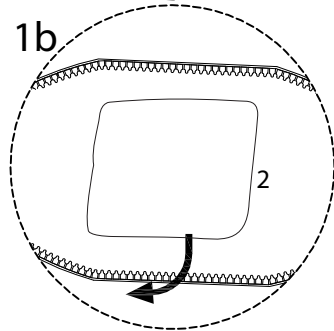
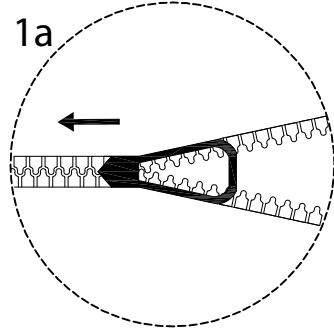
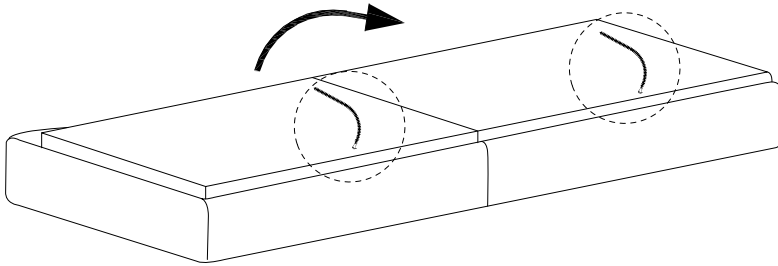
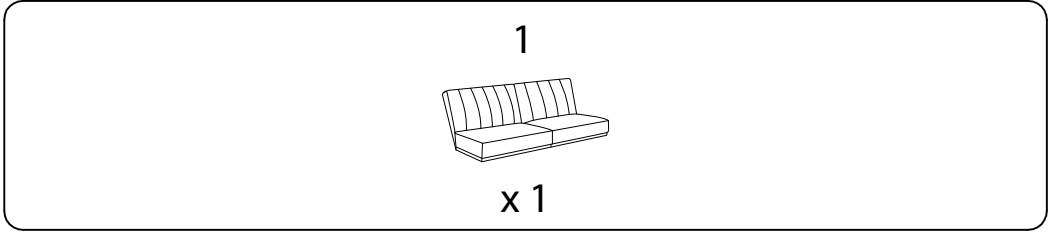
x 1

J

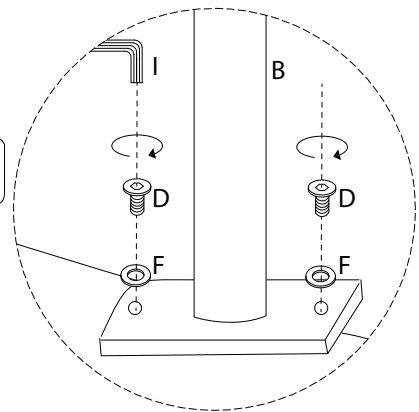
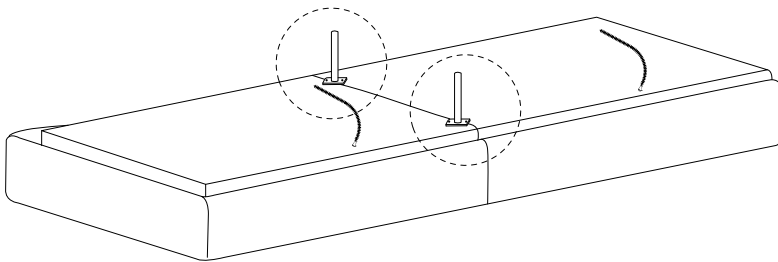
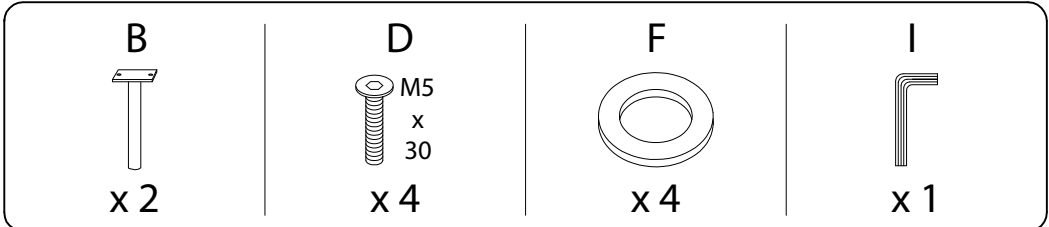


x 1

1

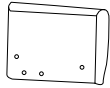


2



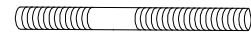
3

2

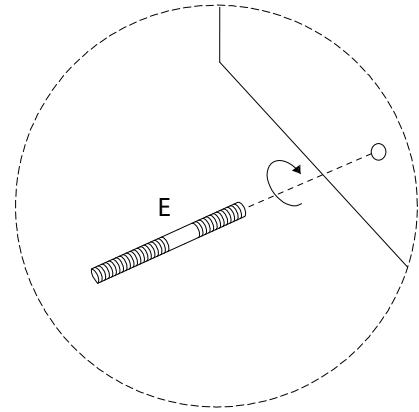
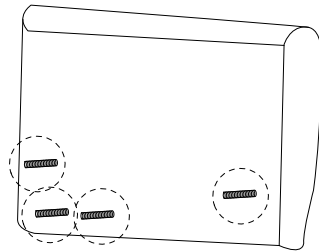
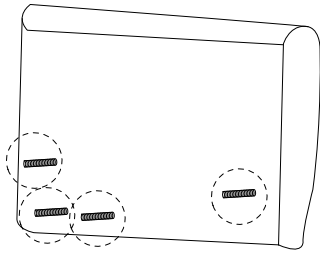


x 2

E

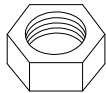


x 8



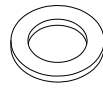
4

H



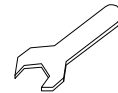
x 8

F

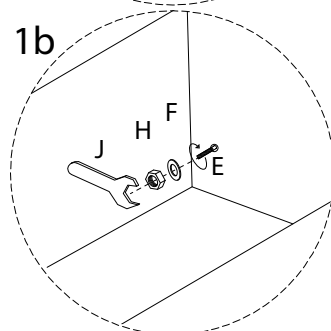
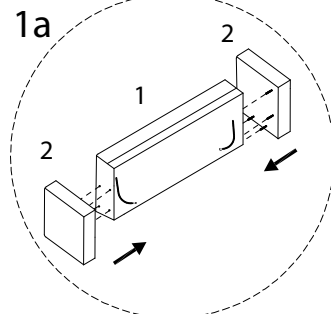
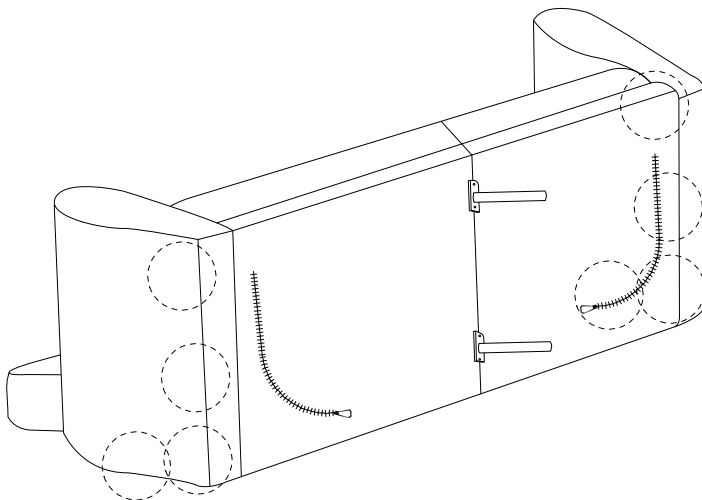


x 8

J



x 1



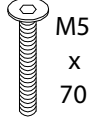
5

A



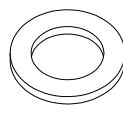
x 4

C



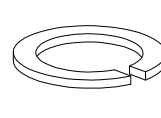
x 4

F



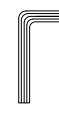
x 4

G

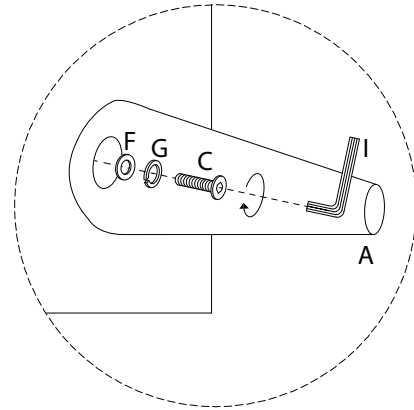
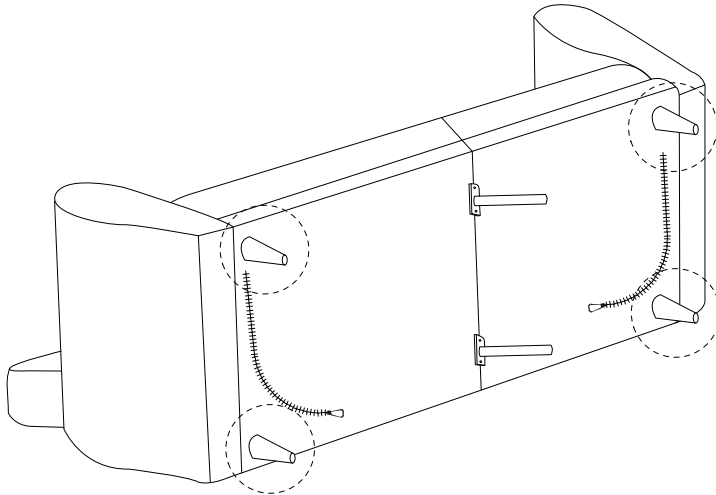


x 4

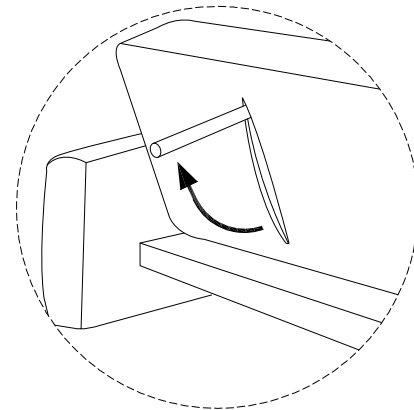
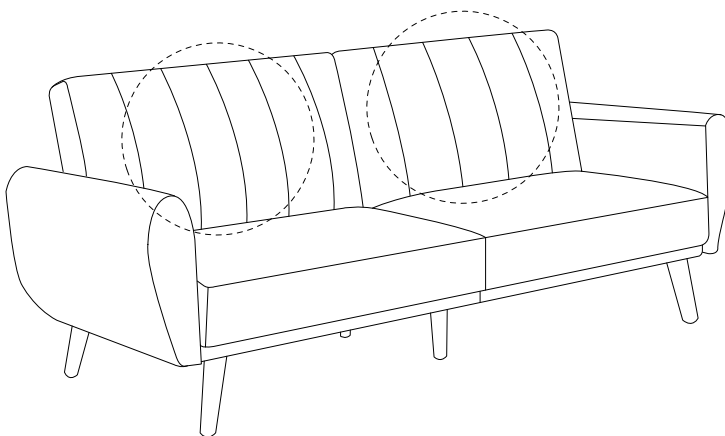
I



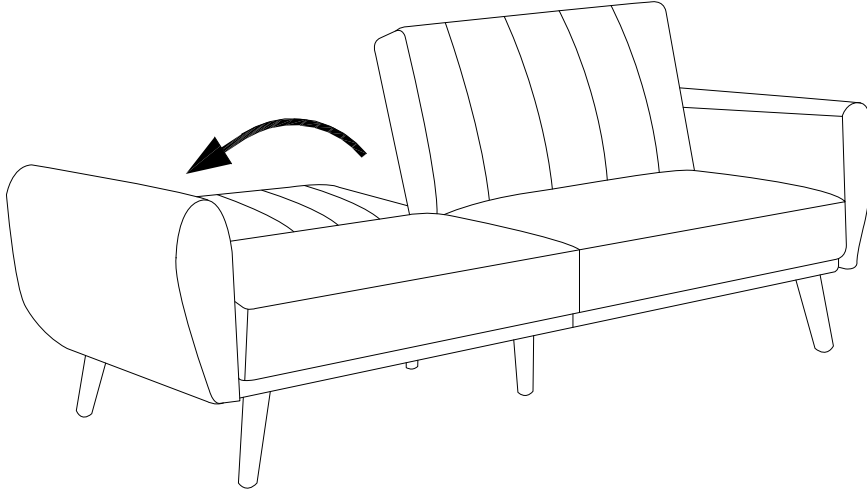
x 1



6



7



8

