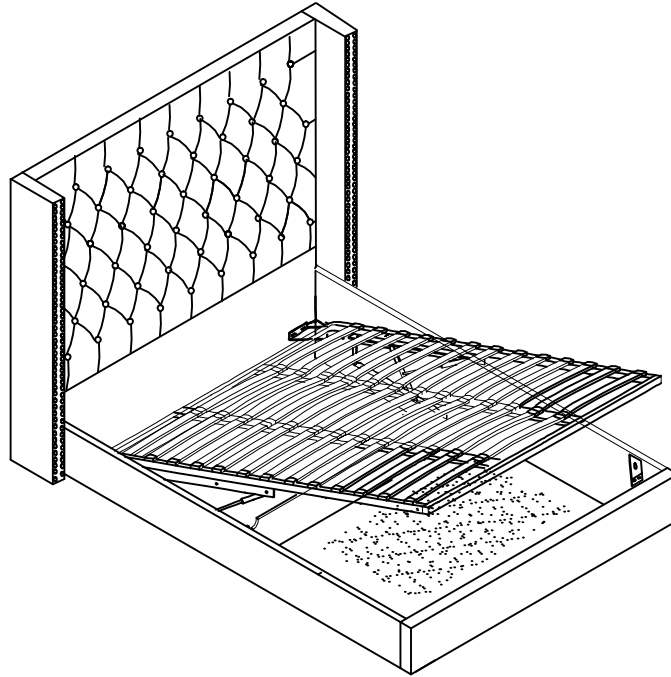
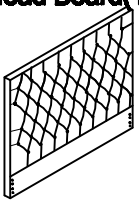


ASSEMBLY INSTRUCTION

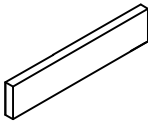


PARTS LIST

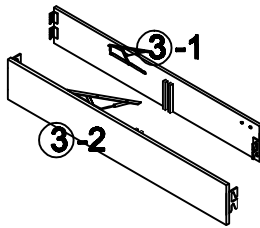
①-Head Board(1pc)



②-Foot Board (1pc)



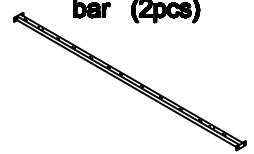
③-Side Rails (2pcs)



④-Double Plastic cap (28pcs)



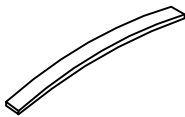
⑤-Center Support bar (2pcs)



⑥-Support Legs(2pcs)



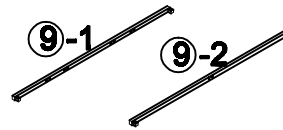
⑦-Slats(42pcs)



⑧-Single Plastic cap (28pcs)



⑨-Headboard & Footboard Rod for slats frame(2pcs)



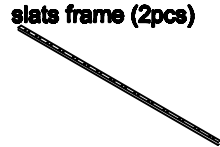
⑩-Left wing (1pc)



⑪-Right wing (1pc)



⑫-Siderail rod for slats frame (2pcs)



⑬-Middle support bar for slats frame(1pc)



⑭-Metal corner connector (2pcs)



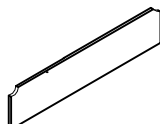
⑮-Support blocker(1pc)



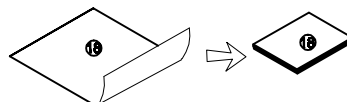
⑯-Metal corner connector (2pcs)



⑰-Support board(1pc)



⑱-Non woven for bottom of bed (1pc)



HARDWARE LIST

A Bolt M8*30mm 22pcs B Bolt M8*75mm 6pcs C Bolt M8*20mm 4pcs D Spring Washer 12pcs E Flat Washer ϕ 20 64pcs F Bolt M6*25mm 4pcs



G M8 Allen Key 1pc

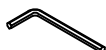
H Flat Washer ϕ 22 6pcs

I Bolt M8*60mm 20pcs

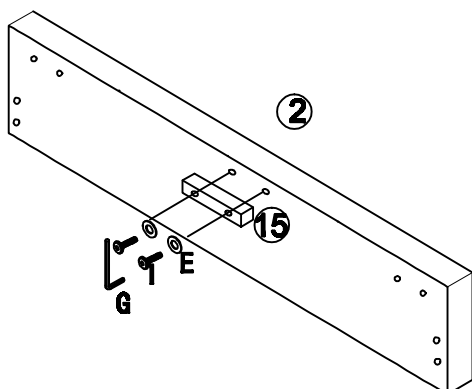
J Nut M8*13mm 20pcs

K Spanner 1pc

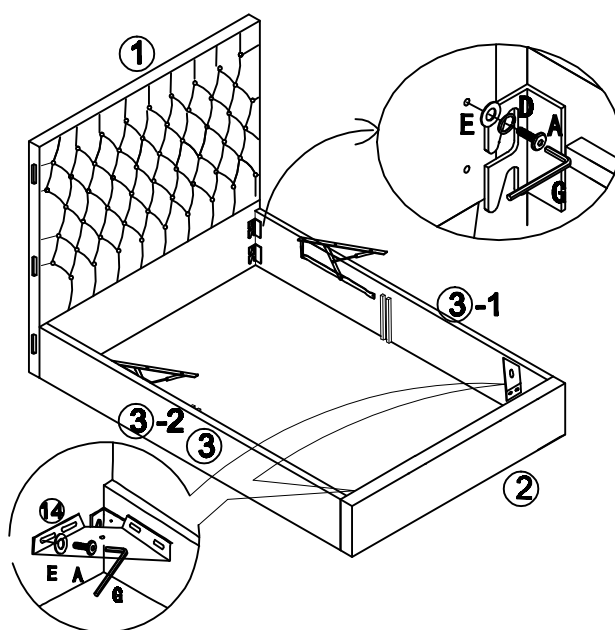
L M6 Allen Key 1pc



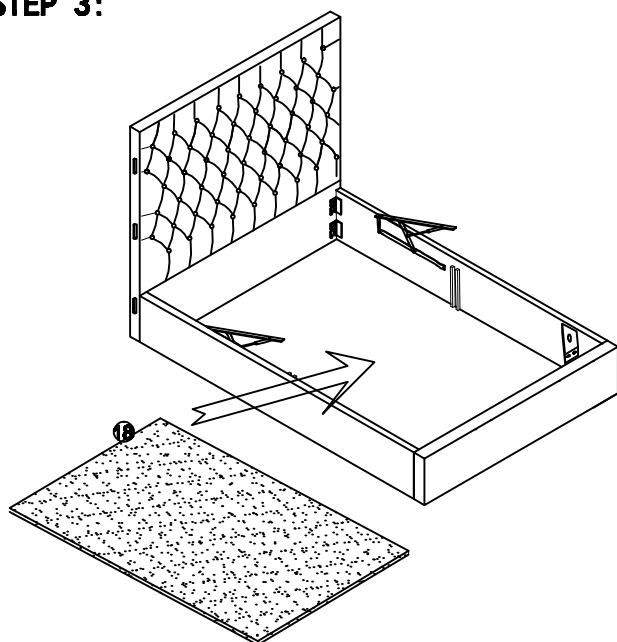
STEP 1:



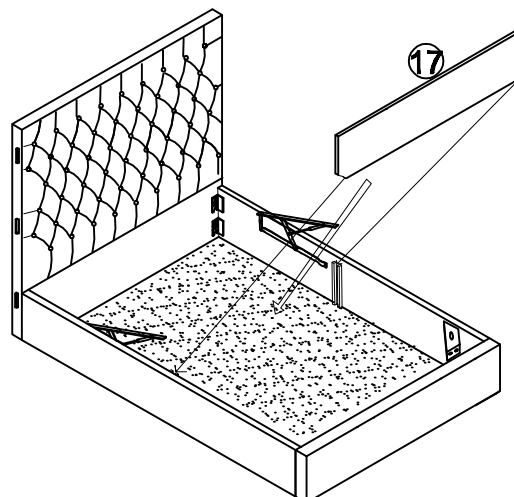
STEP 2:



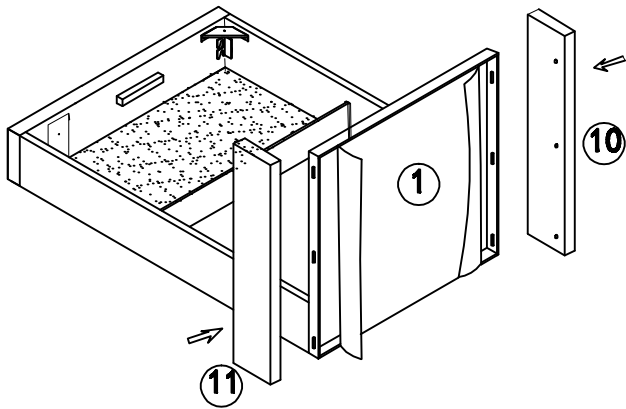
STEP 3:



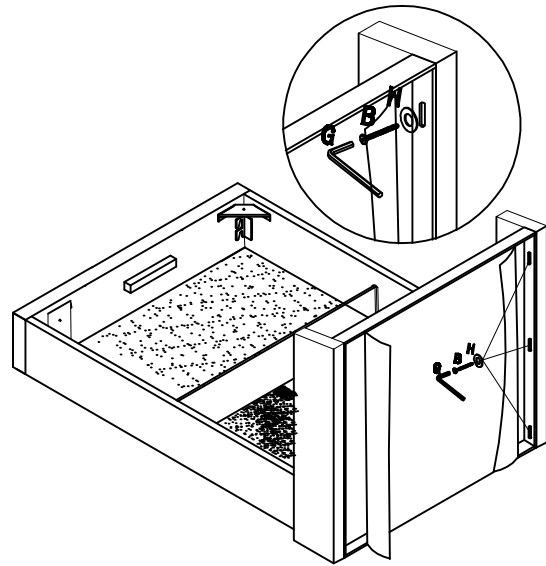
STEP 4:



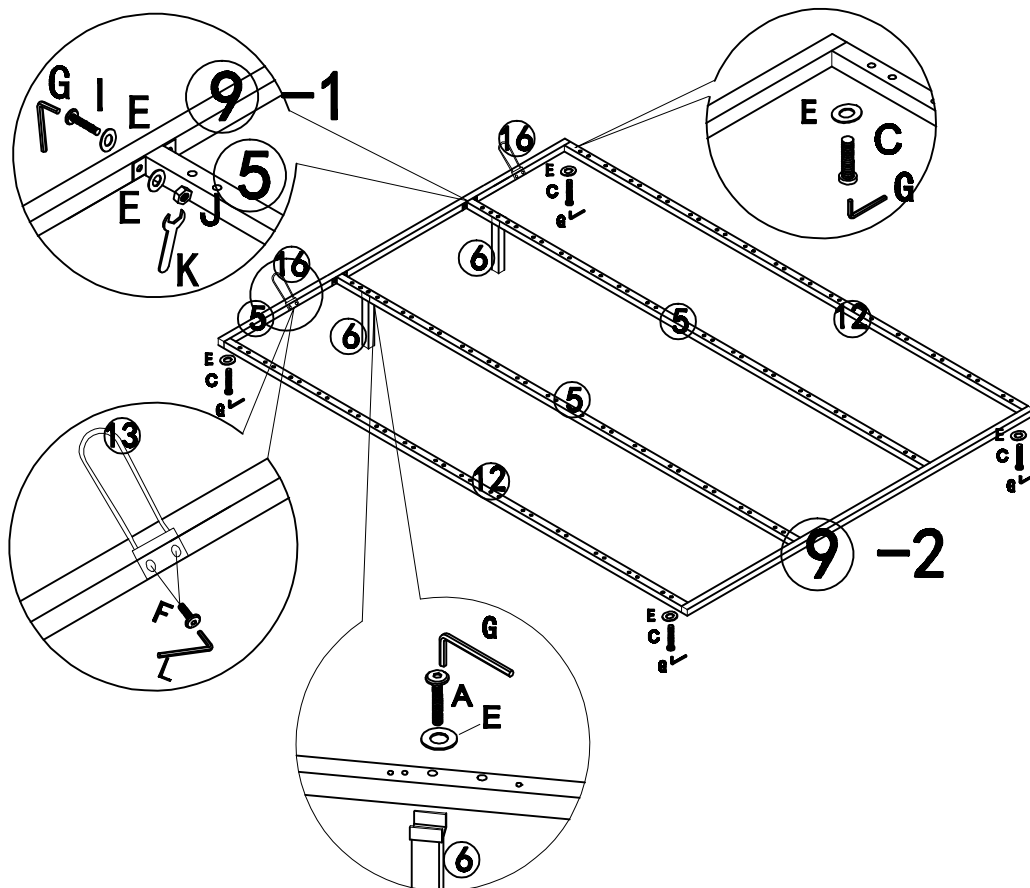
STEP 5:



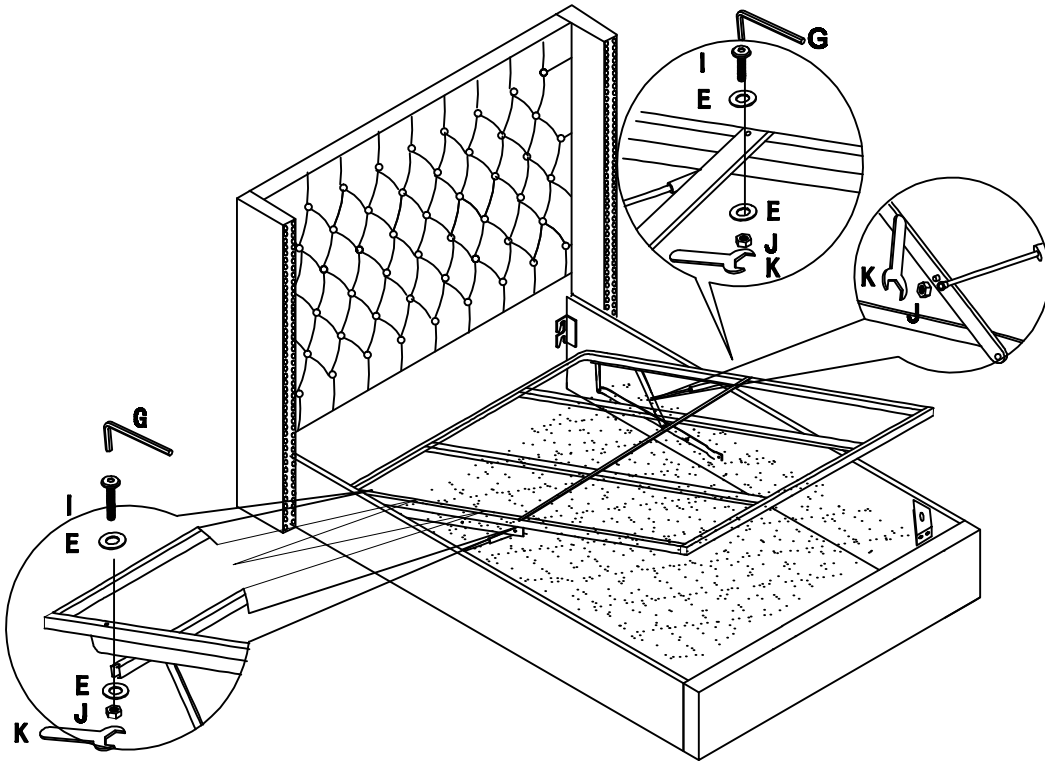
STEP 6:



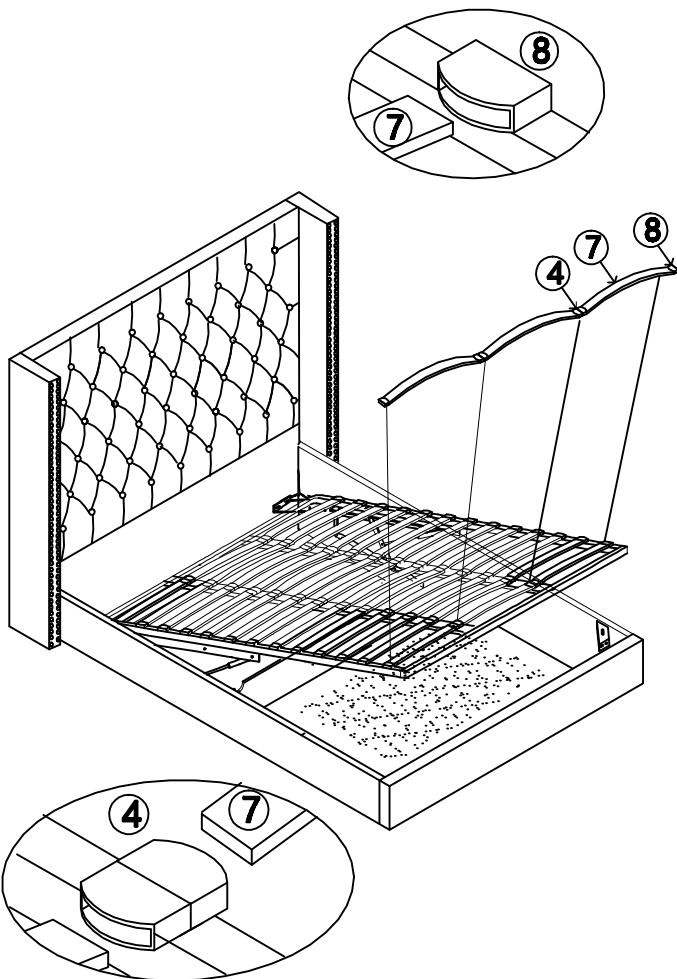
STEP 7:



STEP 8:



STEP 9:



STEP 10:

