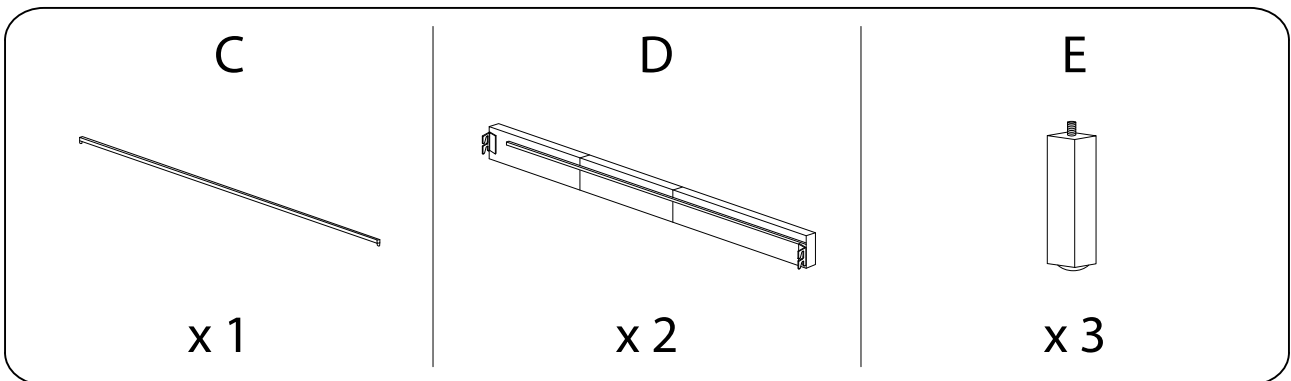
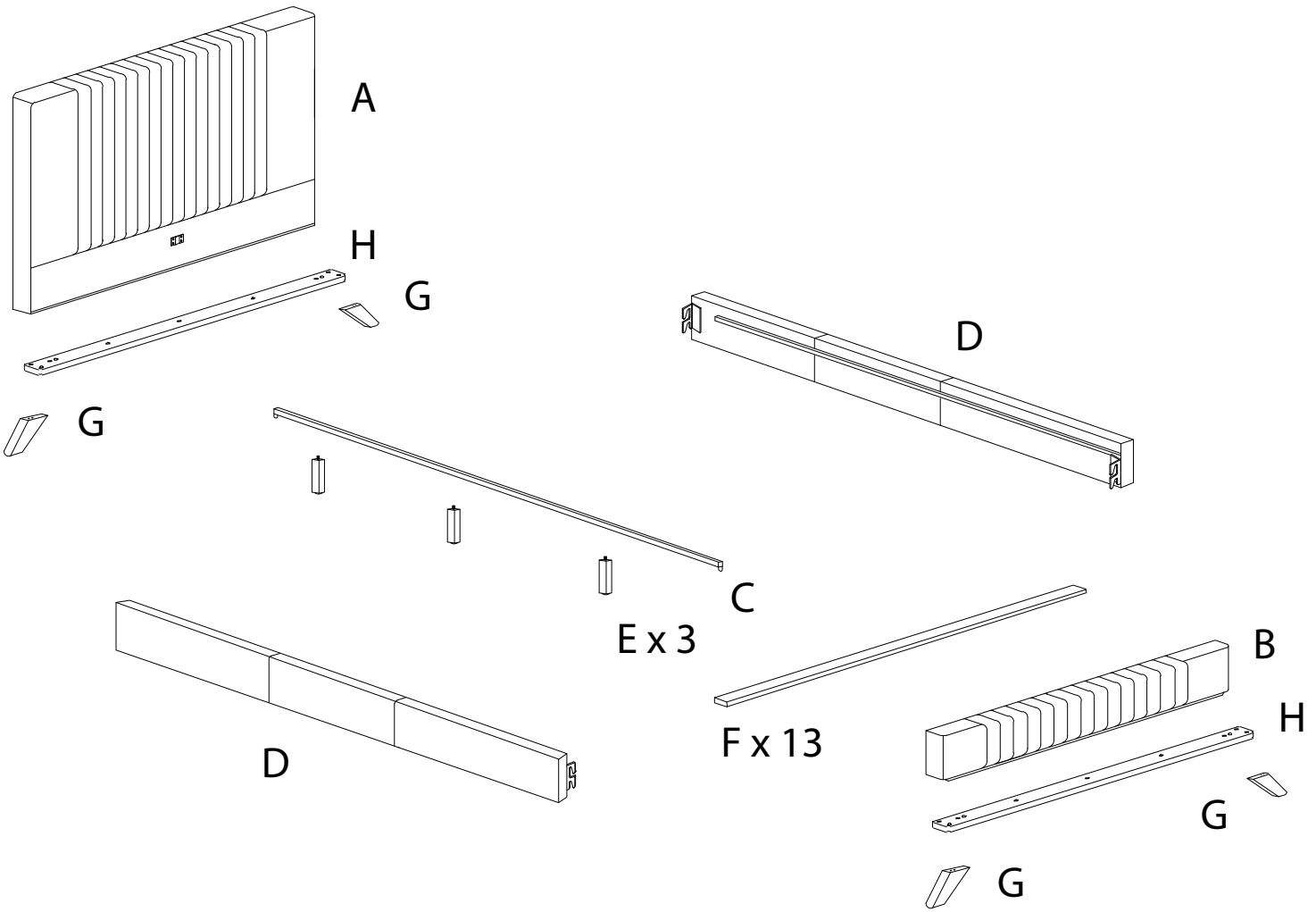
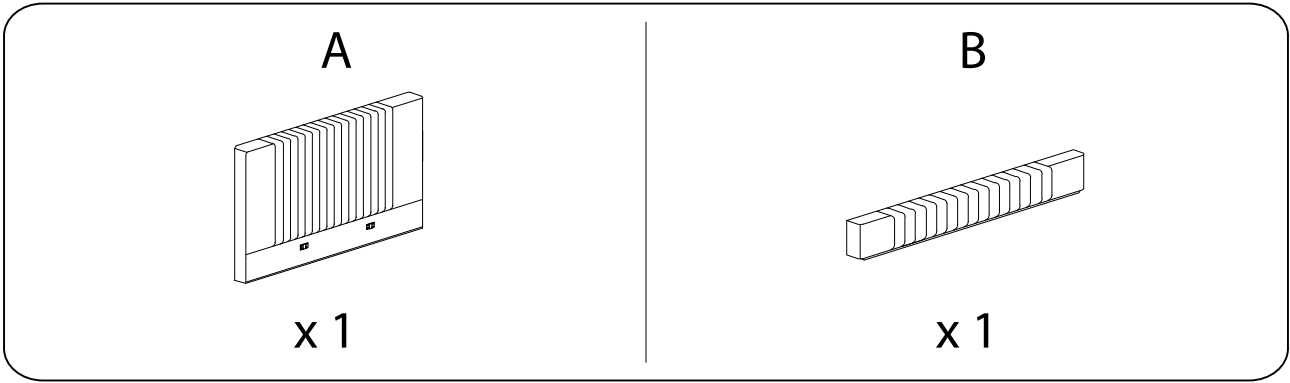



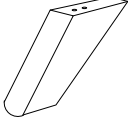
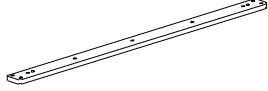
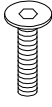
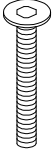
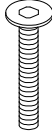
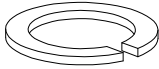


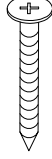
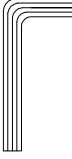
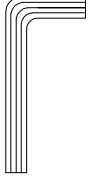
Assembly instructions for the bed, including tool requirements, estimated time, and the number of people needed.

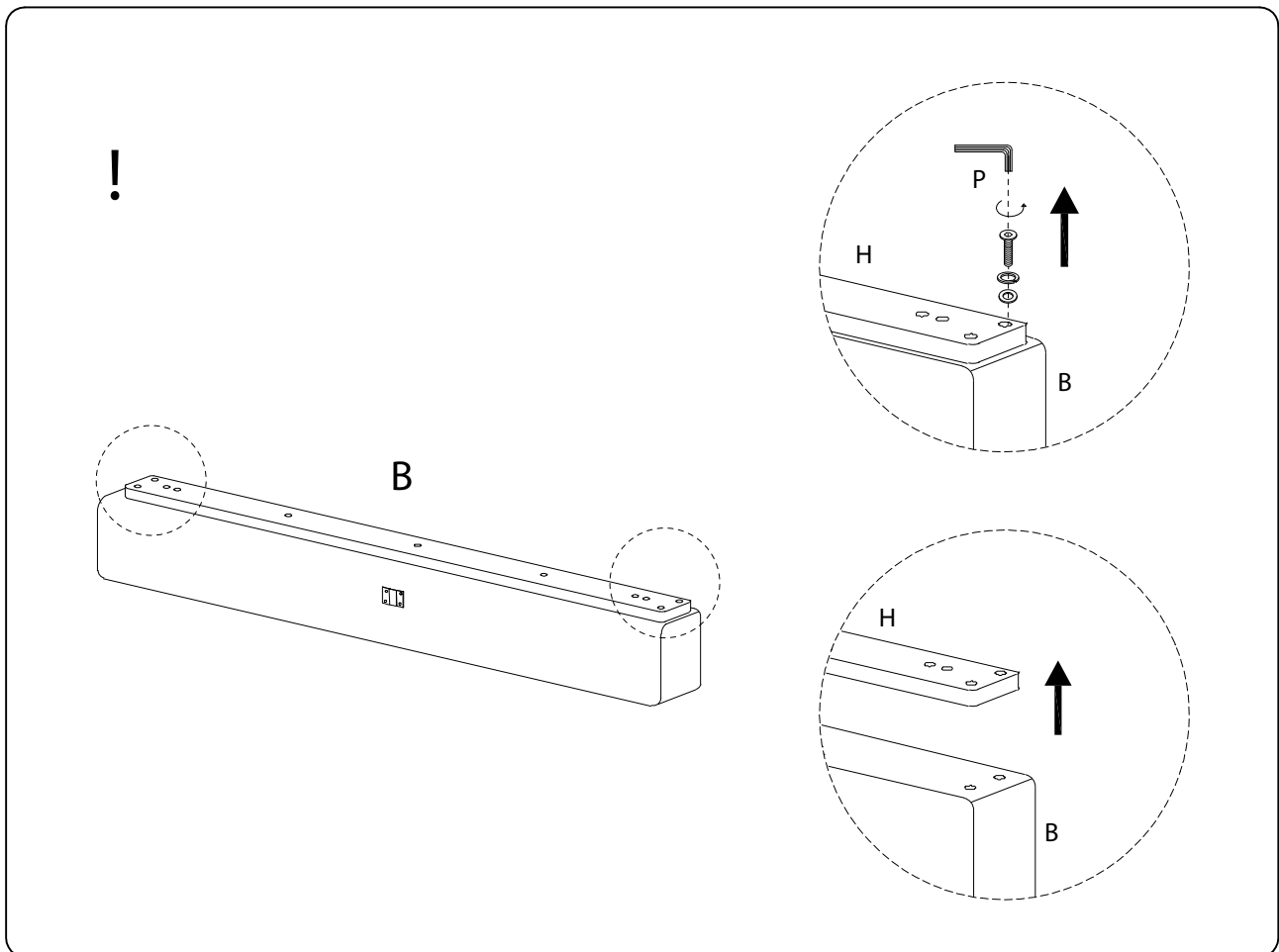
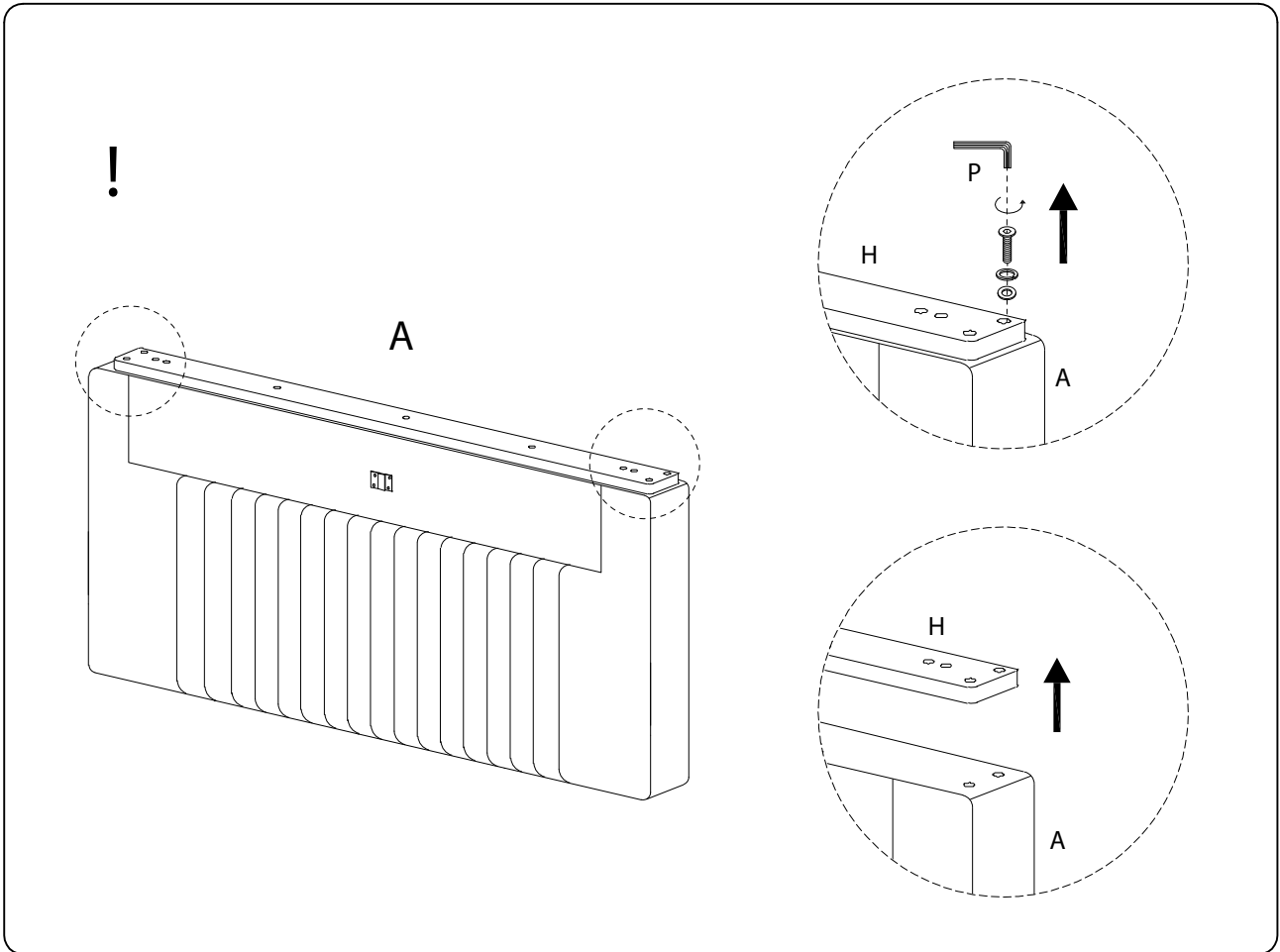
Tools: A circle containing a screwdriver and an Allen key, and a crossed-out power drill icon, with a warning triangle above.

Time: A clock icon with the text "40'".



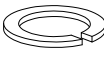

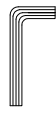
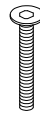
Personnel: A person icon with the text "2".

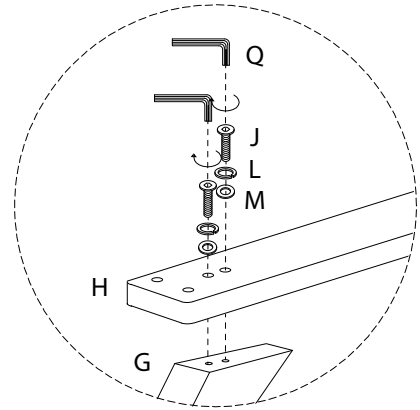
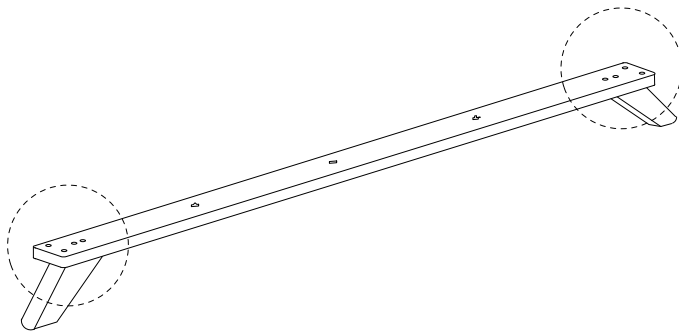


<p style="text-align: center;">F</p>  <p style="text-align: center;">x 13</p>	<p style="text-align: center;">G</p>  <p style="text-align: center;">x 4</p>	<p style="text-align: center;">H</p>  <p style="text-align: center;">x 2</p>	<p style="text-align: center;">I</p>  <p style="text-align: center;">M8 x 40</p> <p style="text-align: center;">x 8</p>
<p style="text-align: center;">J</p>  <p style="text-align: center;">M8 x 50</p> <p style="text-align: center;">x 8</p>	<p style="text-align: center;">K</p>  <p style="text-align: center;">M6 x 50</p> <p style="text-align: center;">x 6</p>	<p style="text-align: center;">L</p>  <p style="text-align: center;">x 22</p>	<p style="text-align: center;">M</p>  <p style="text-align: center;">x 16</p>
<p style="text-align: center;">N</p>  <p style="text-align: center;">x 6</p>	<p style="text-align: center;">O</p>  <p style="text-align: center;">M4 x 30</p> <p style="text-align: center;">x 33</p>	<p style="text-align: center;">P</p>  <p style="text-align: center;">x 1</p>	<p style="text-align: center;">Q</p>  <p style="text-align: center;">x 1</p>

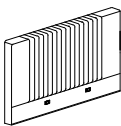
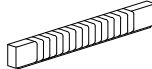
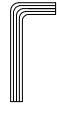


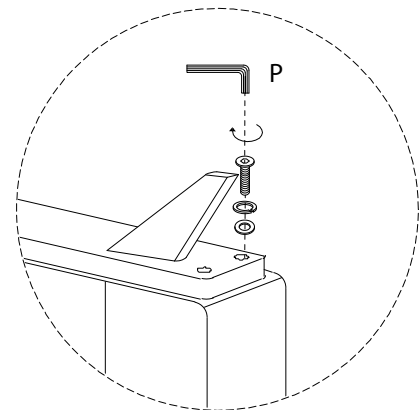
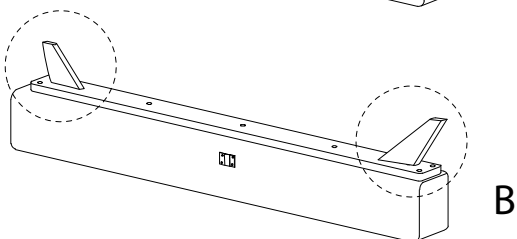
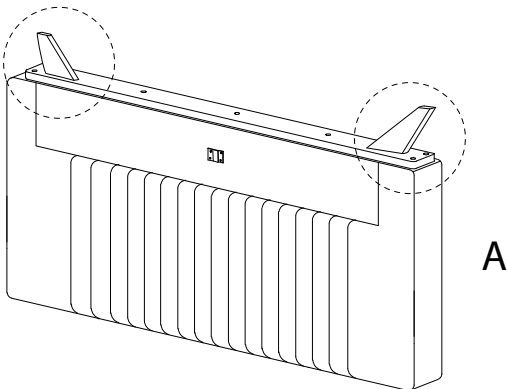
1 x 2

H	G	L	M	Q	J
					
x 1	x 2	x 4	x 4	x 1	M8 x 50 x 4

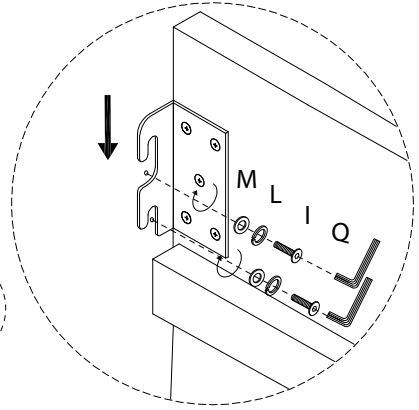
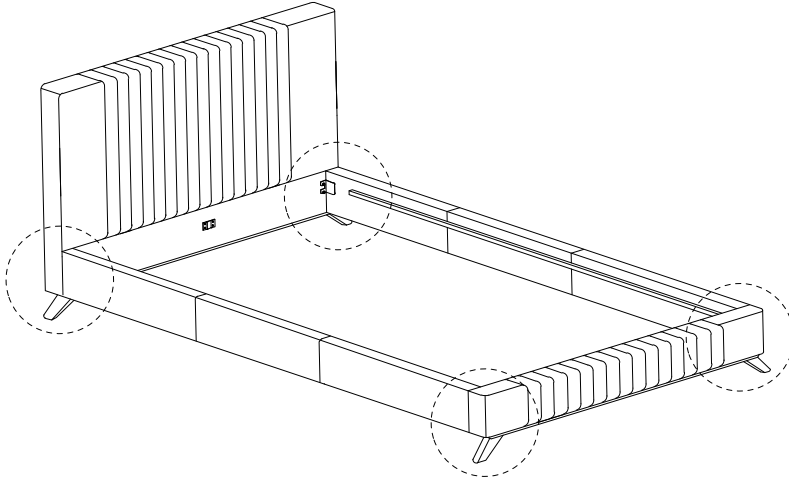
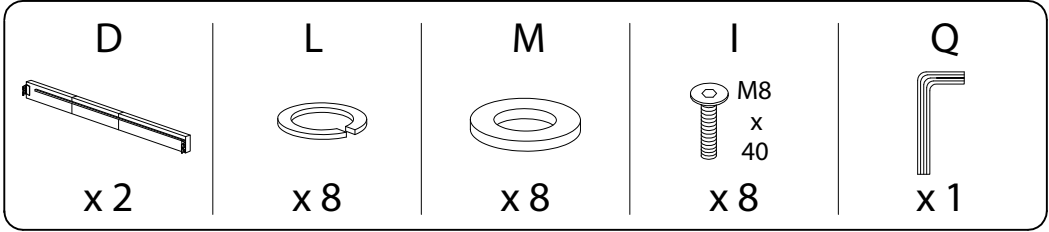


2

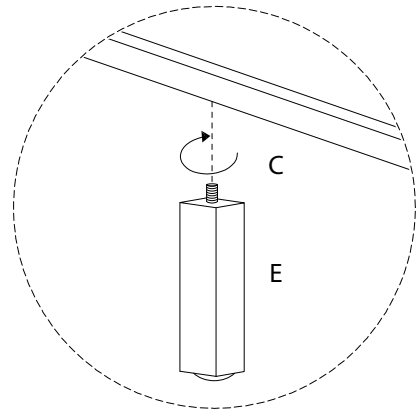
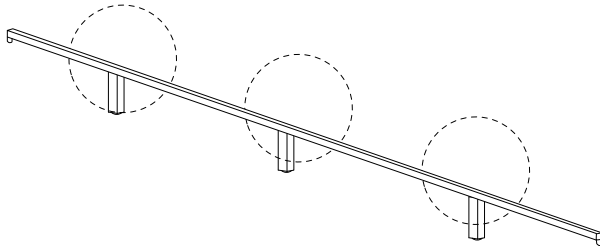
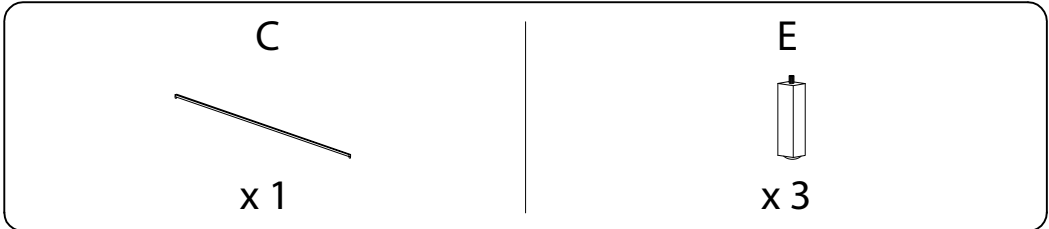
A	B	P
		
x 1	x 1	x 1



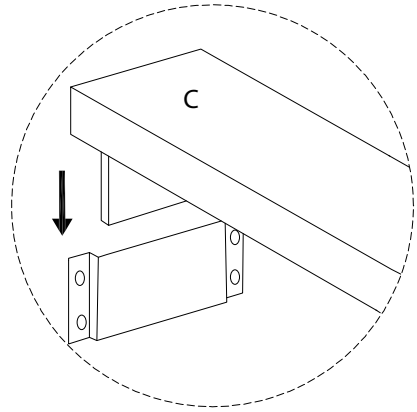
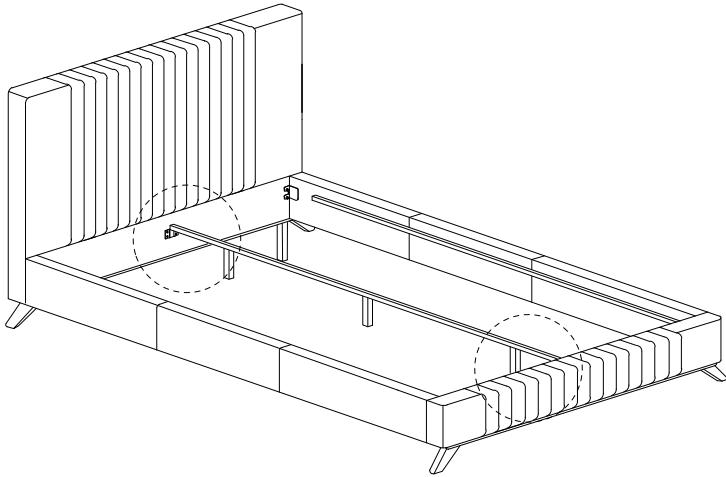
3






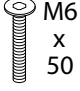

4

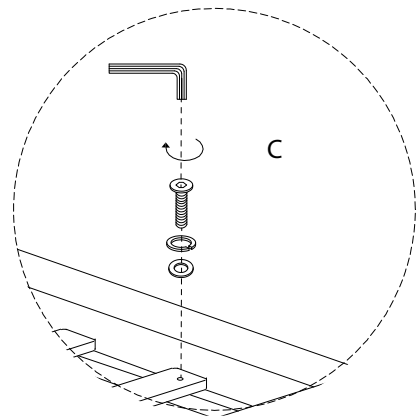
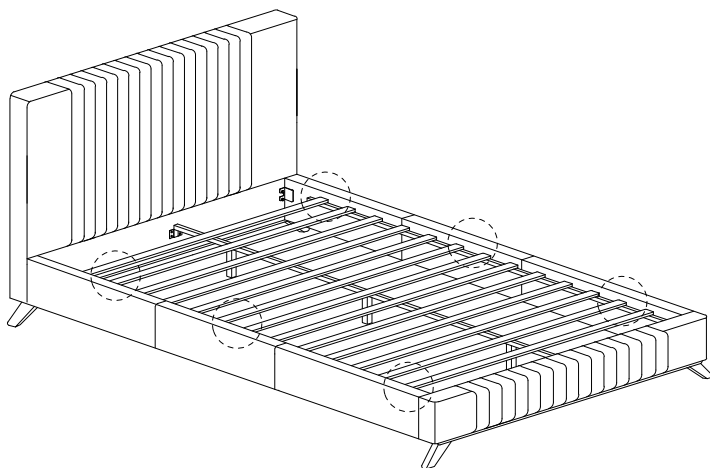


5



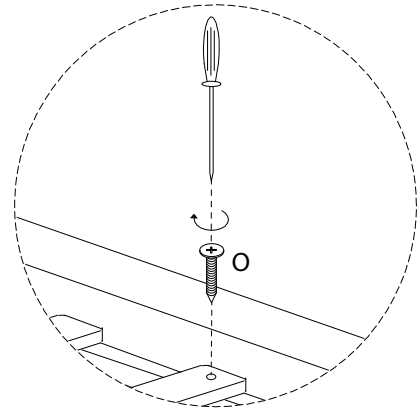
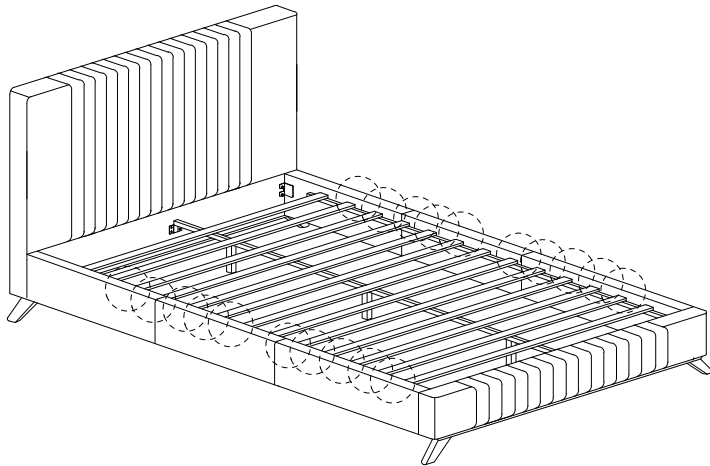
6

F  x 13	L  x 6	N  x 6	K  M6 x 50 x 6	P  x 1
---	--	--	--	--



7

O
M4
x
30
x 20



8 x 13

O
M4
x
30
x 1

