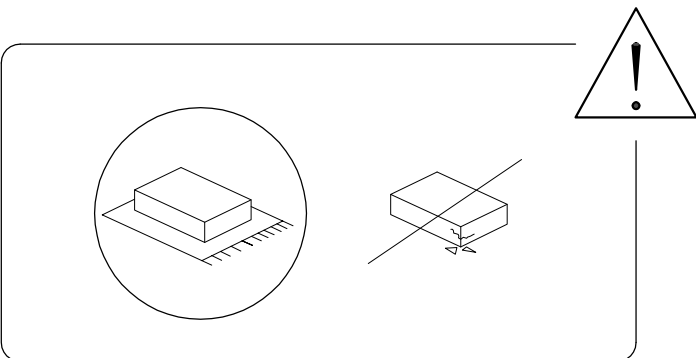
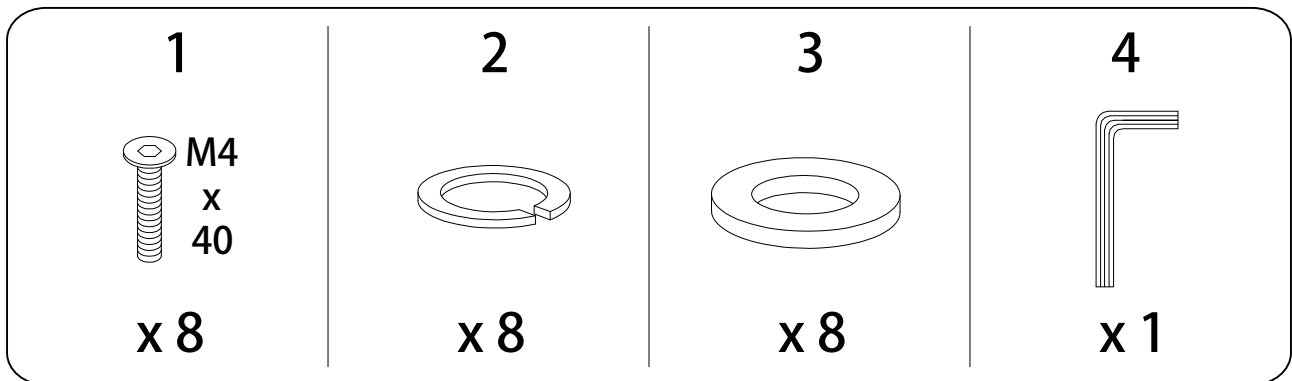
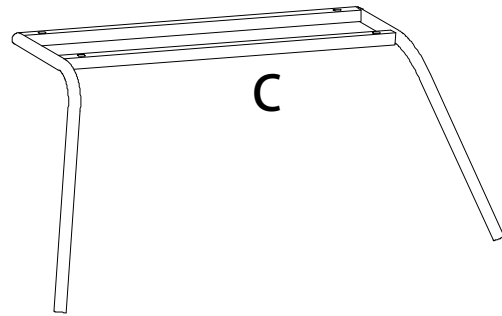
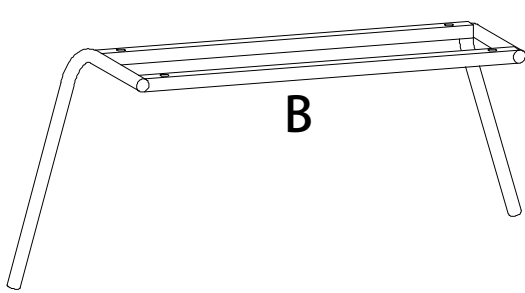
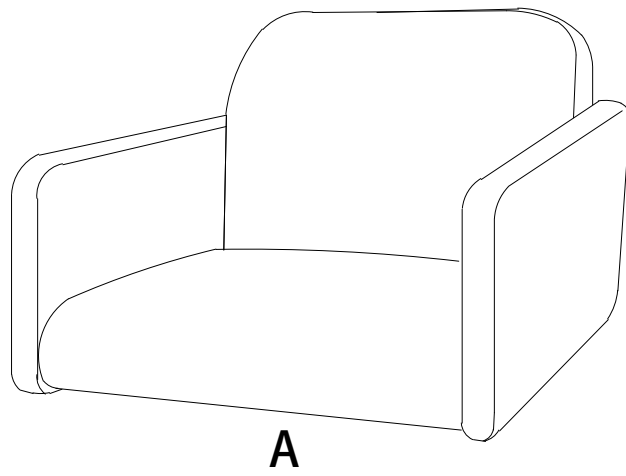
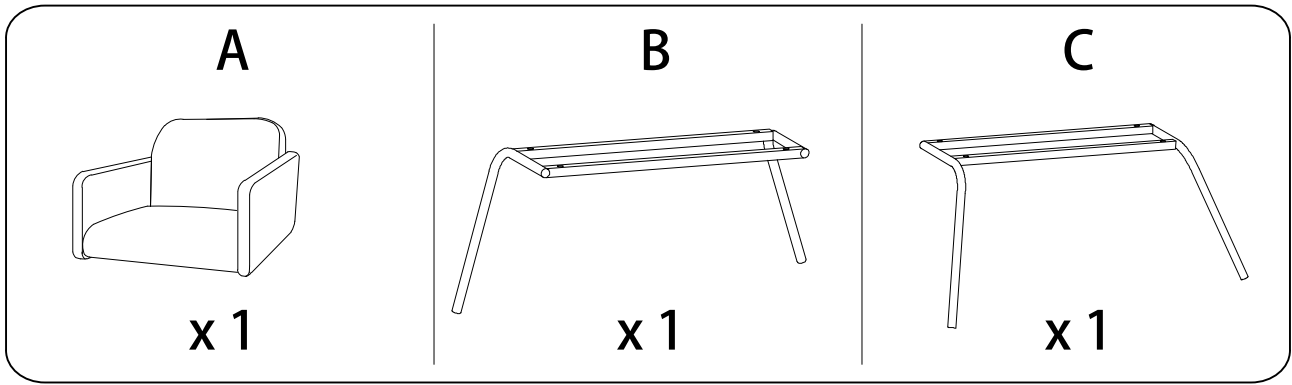


**20'**


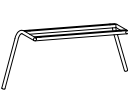
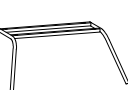
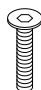
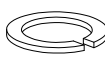




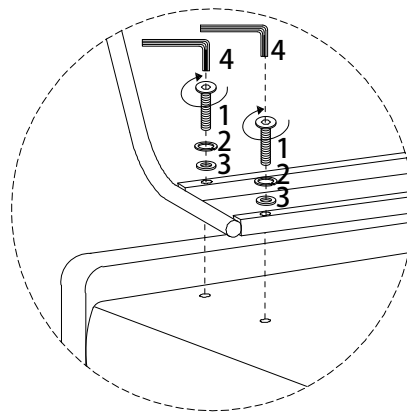
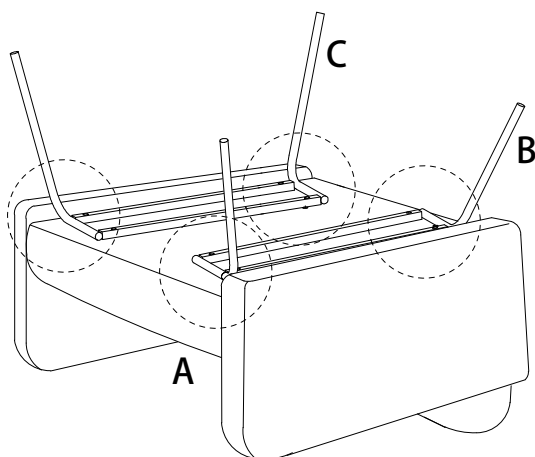
**1**

**1/3**



1

<b>A</b>  x1	<b>B</b>  x1	<b>C</b>  x1	<b>1</b>  M4 x 40 x8	<b>2</b>  x8	<b>3</b>  x8	<b>4</b>  x1
---	---	---	---	--	---	---



2

