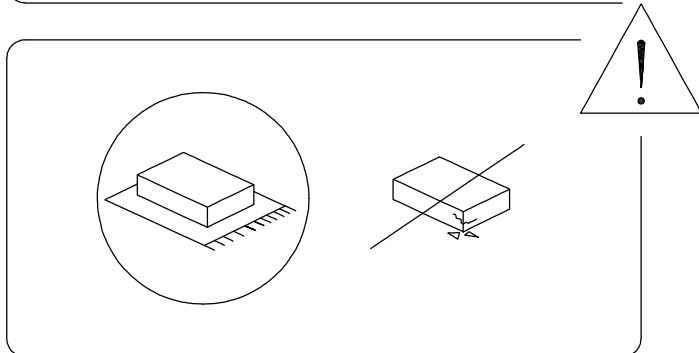
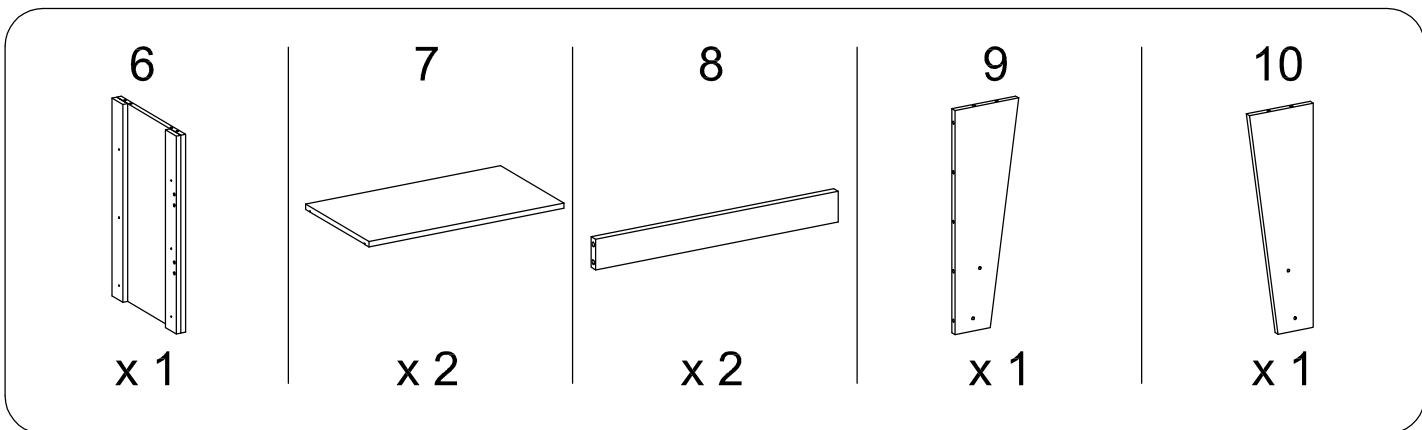
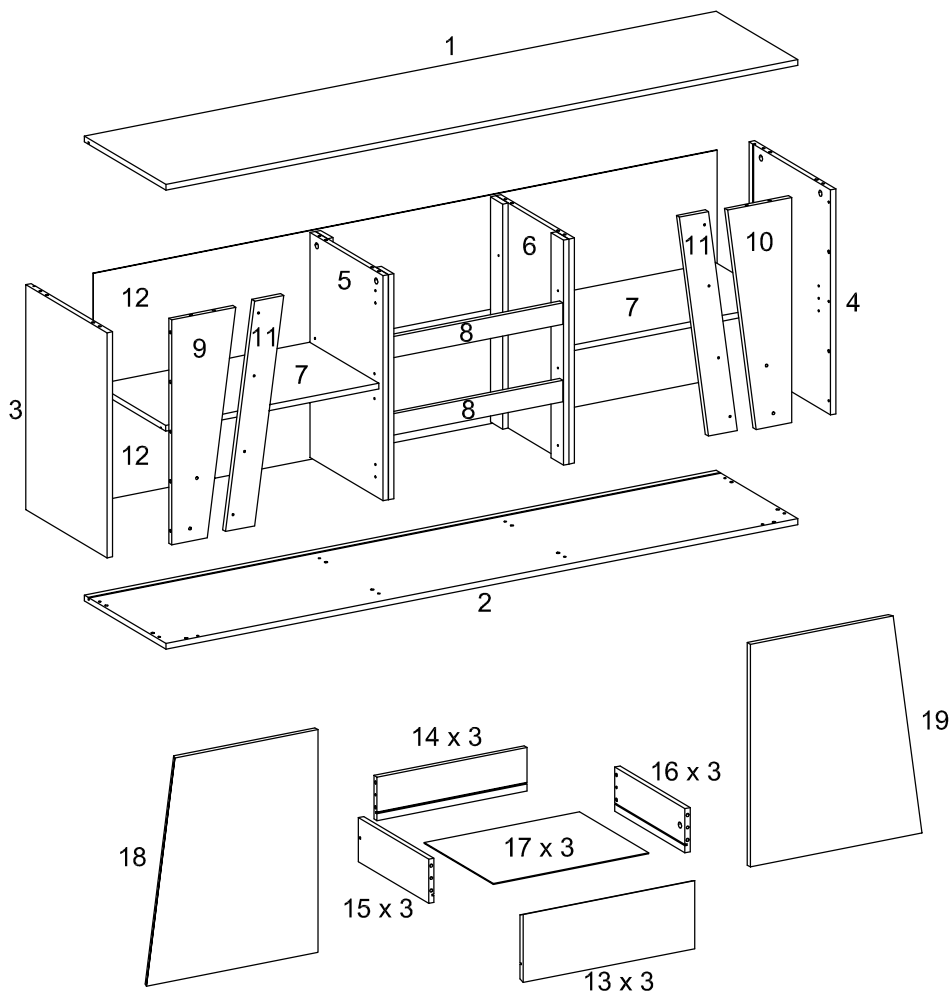
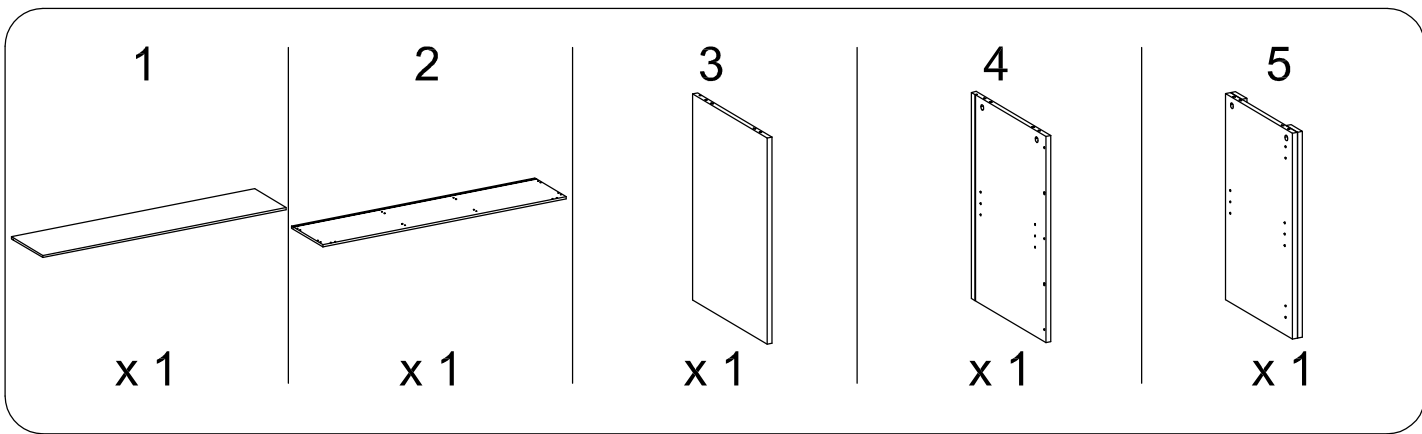


100'



2

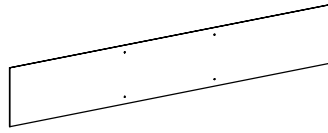


11



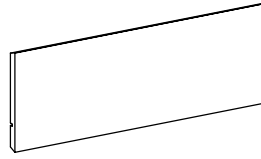
x 2

12



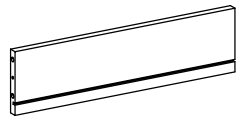
x 2

13



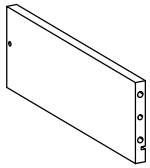
x 3

14



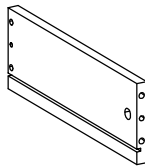
x 3

15



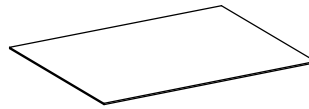
x 3

16



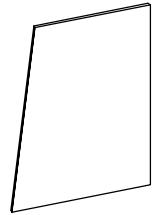
x 3

17



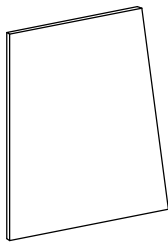
x 3

18



x 1

19



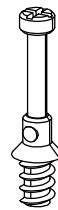
x 1

A



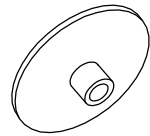
x 22

B



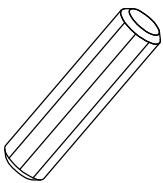
x 22

C



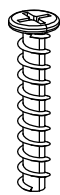
x 22

D



x 56

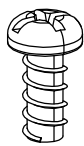
E



M10  
x  
33.5

x 16

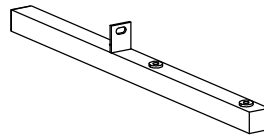
F



M4  
x  
10

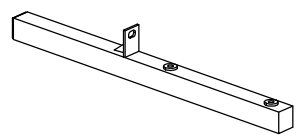
x 26

G1



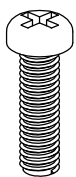
x 1

G2



x 1

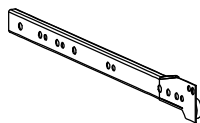
H



M6  
x  
25

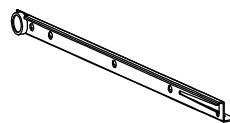
x 4

I1



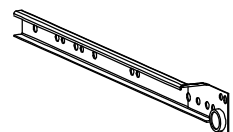
x 3

I2



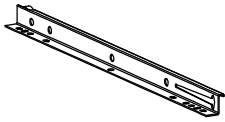
x 3

I3



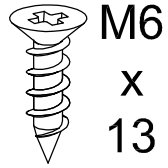
x 3

I4



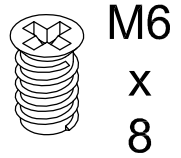
x 3

J



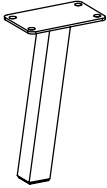
x 12

K



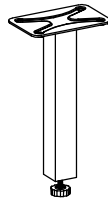
x 12

L



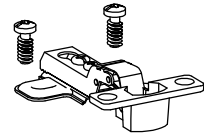
x 2

M



x 2

N



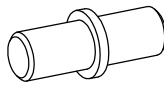
x 4

O



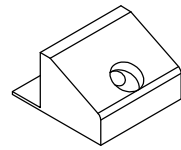
x 6

P



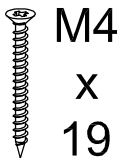
x 8

Q



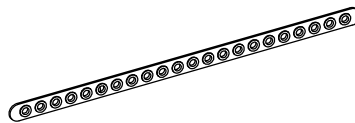
x 18

R



x 18

S



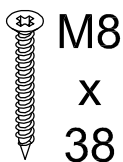
x 2

T



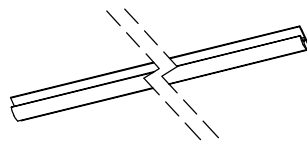
x 2

U



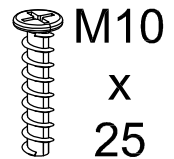
x 2

V



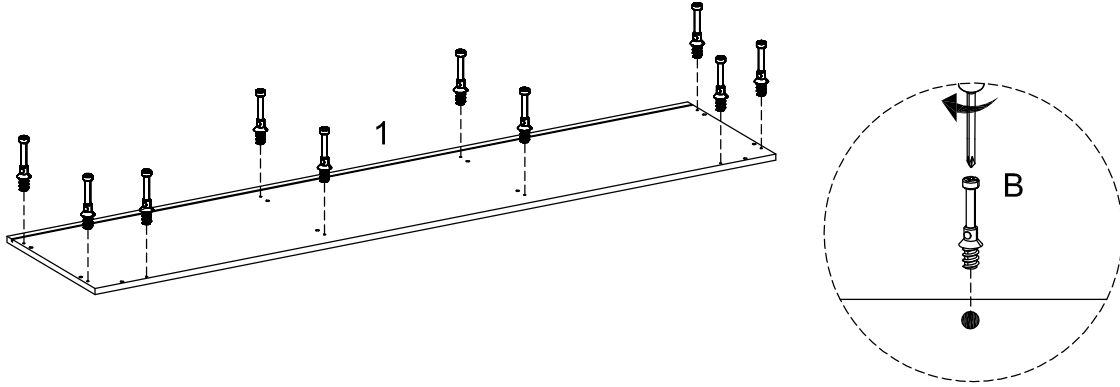
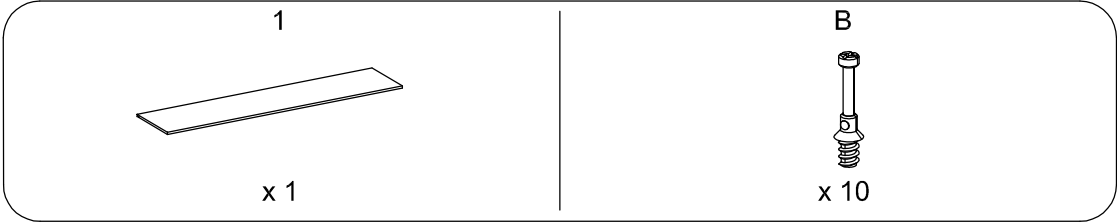
x 1

W

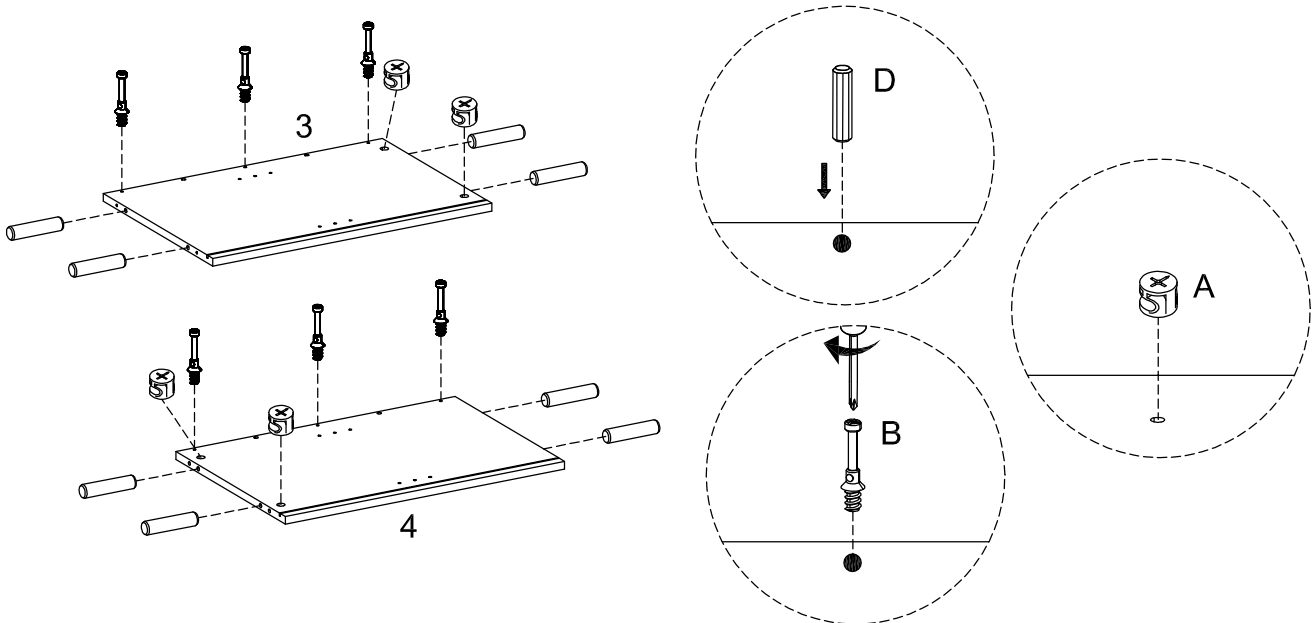
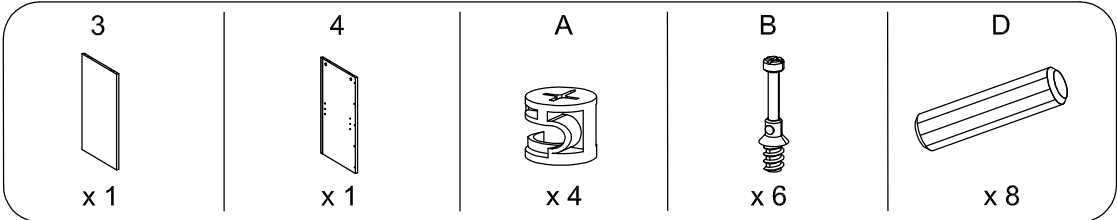


x 6

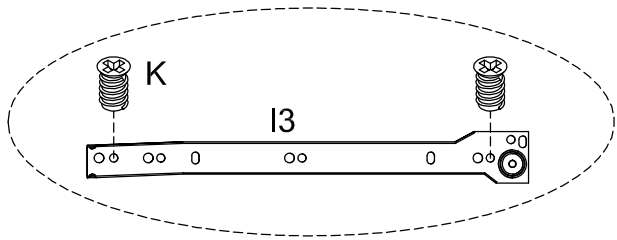
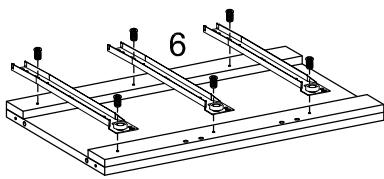
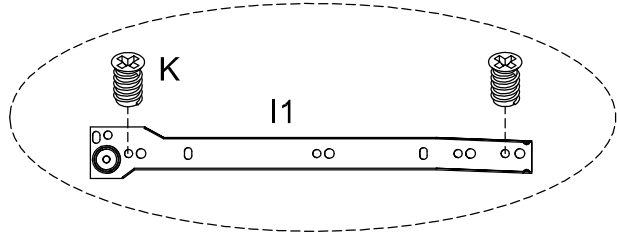
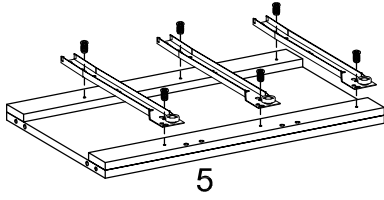
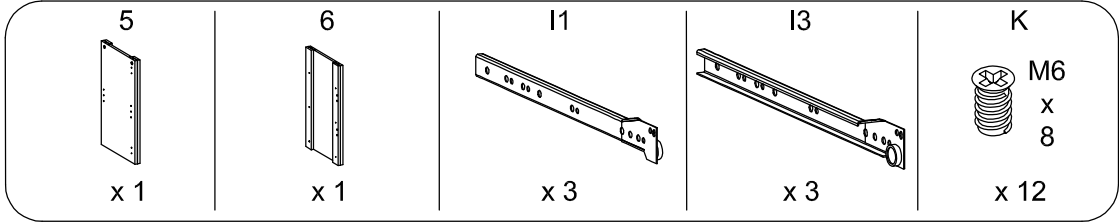
# 1



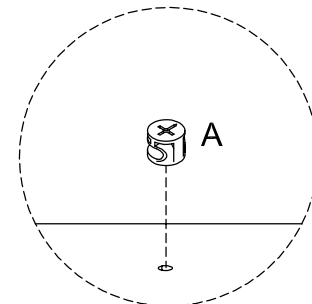
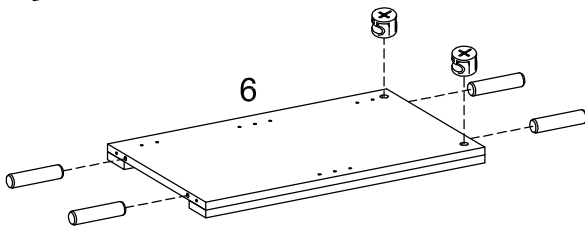
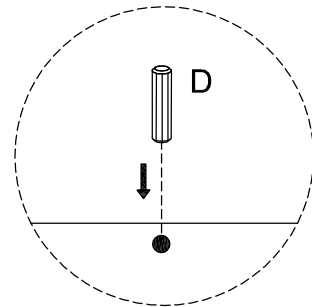
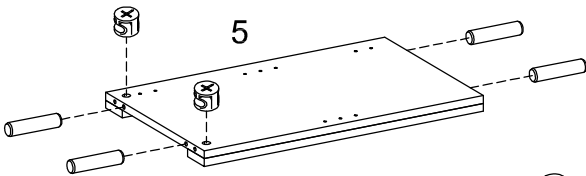
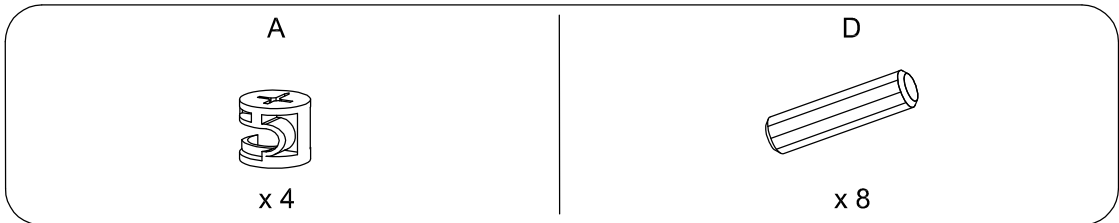
# 2



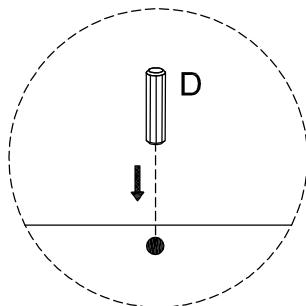
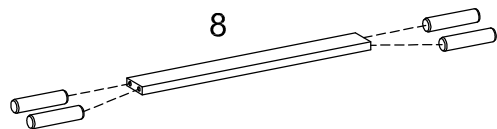
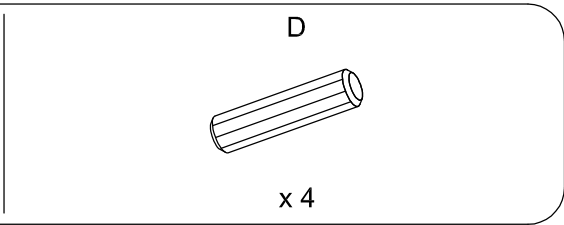
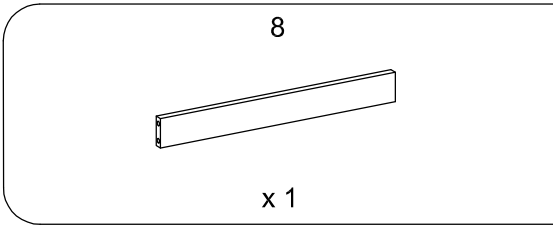
# 3



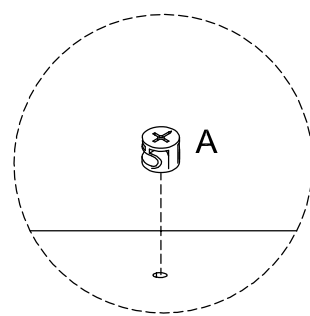
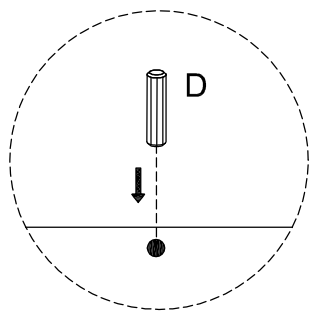
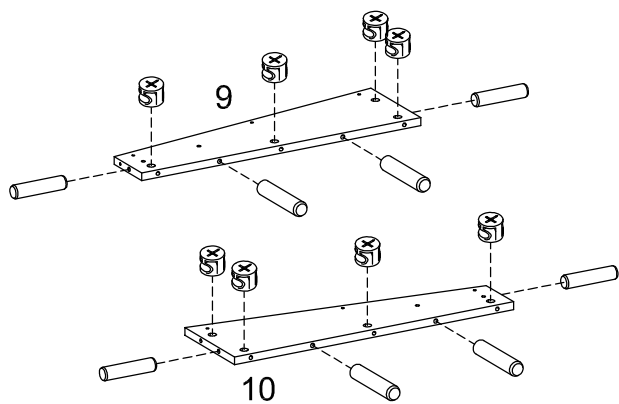
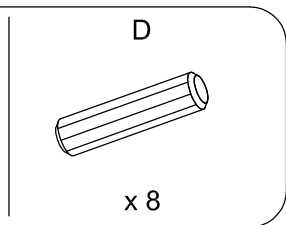
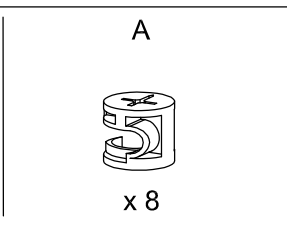
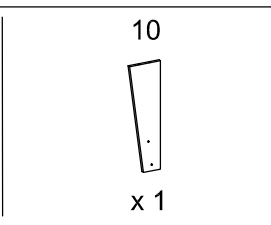
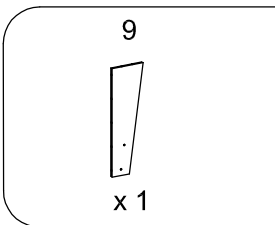
# 4



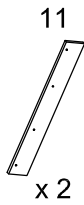
5 x 2



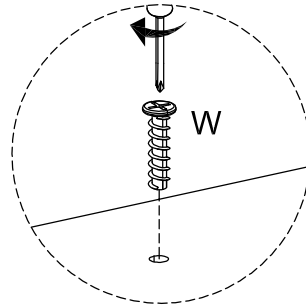
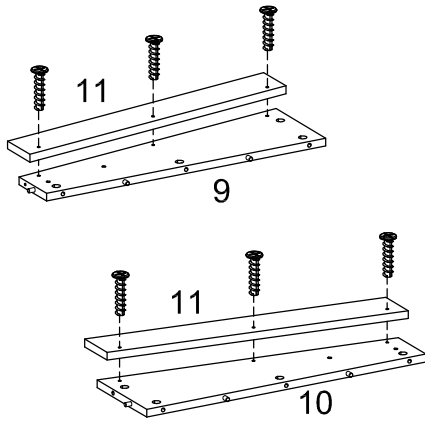
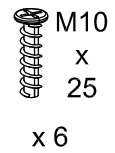
6



7

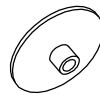


W

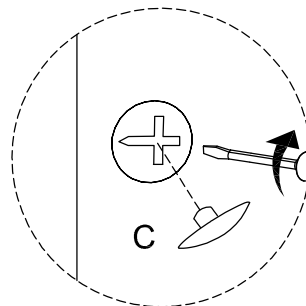
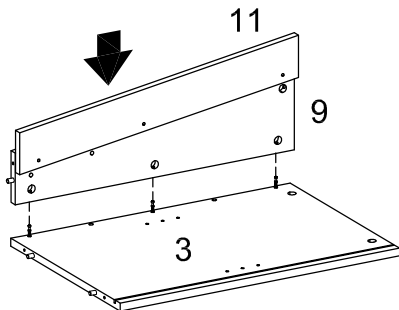


8

C



x 3



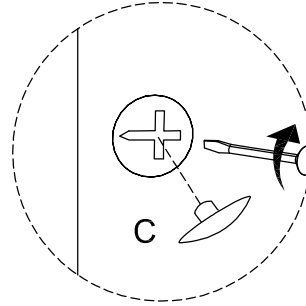
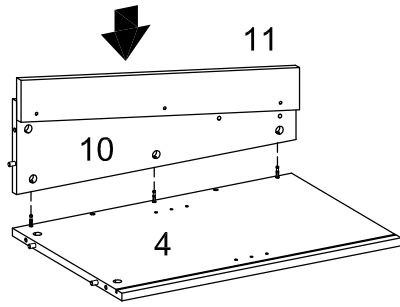


9

C



x 3



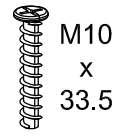
10

2

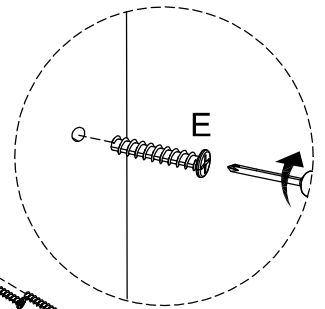
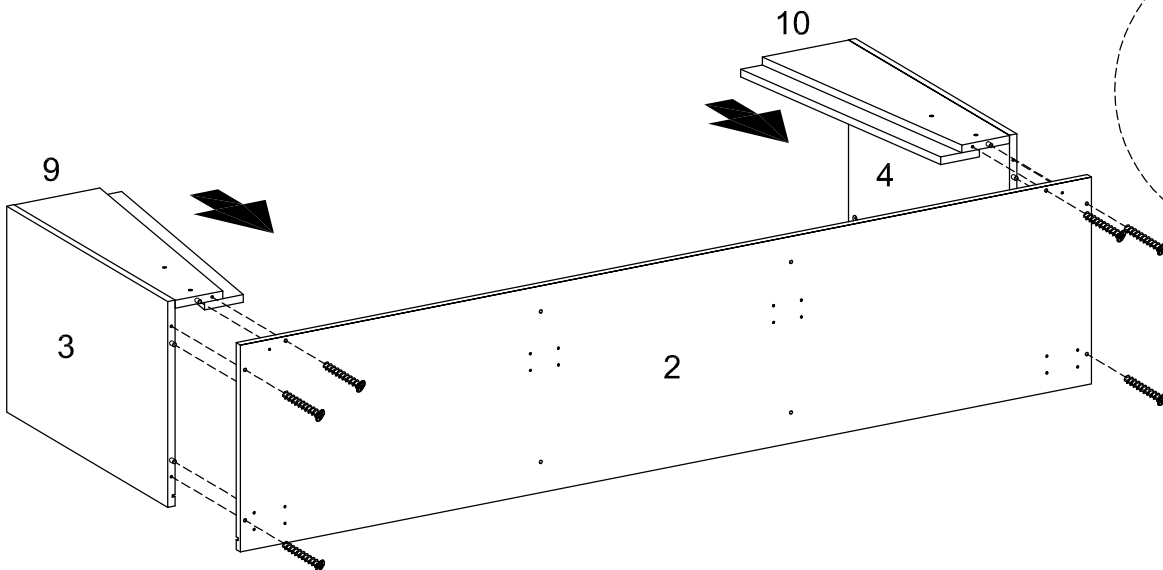


x 1

E

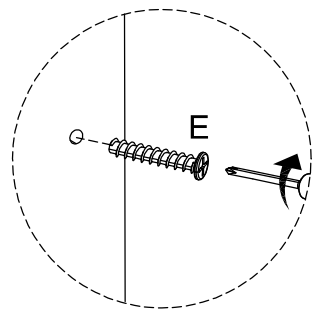
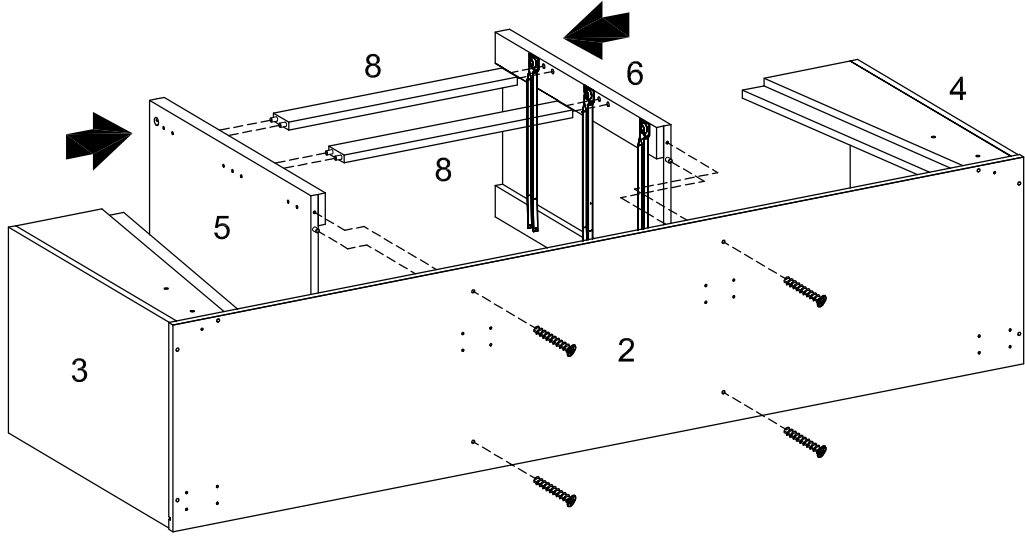


x 6



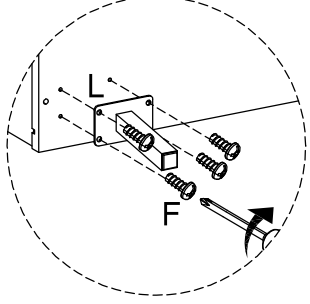
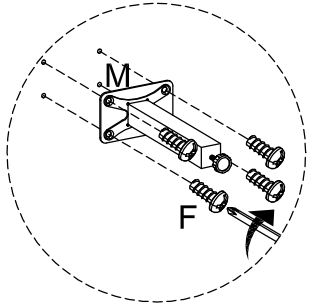
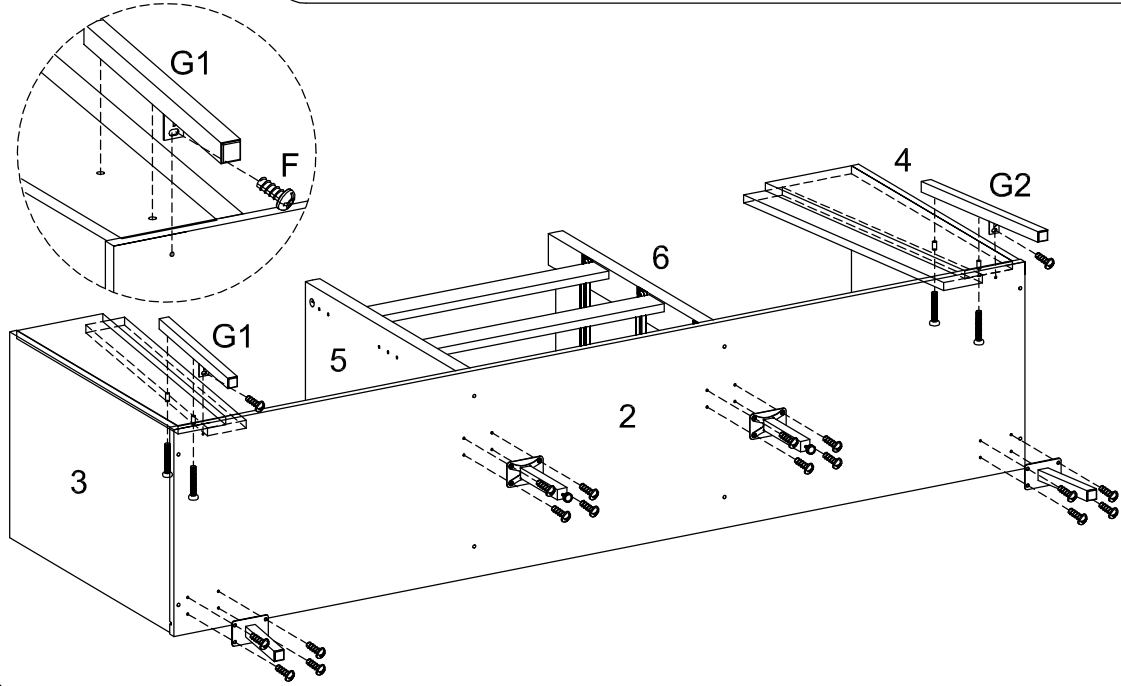
# 11

E  
M10  
x  
33.5  
x 4

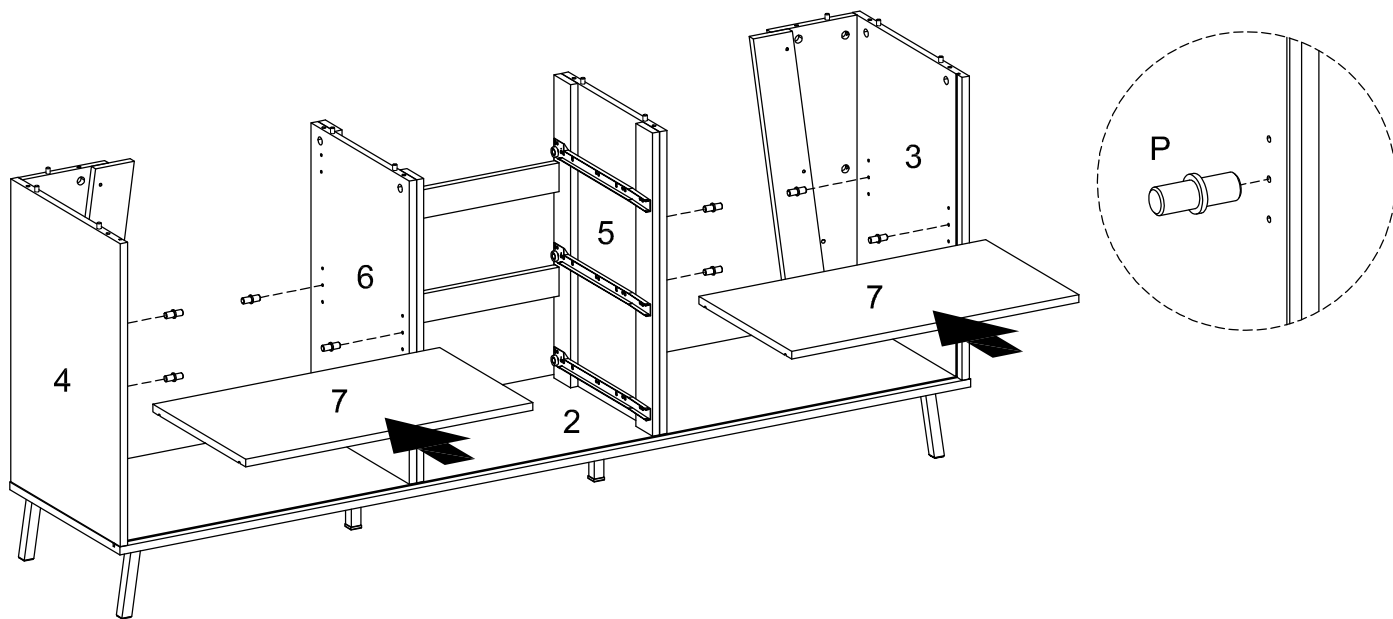
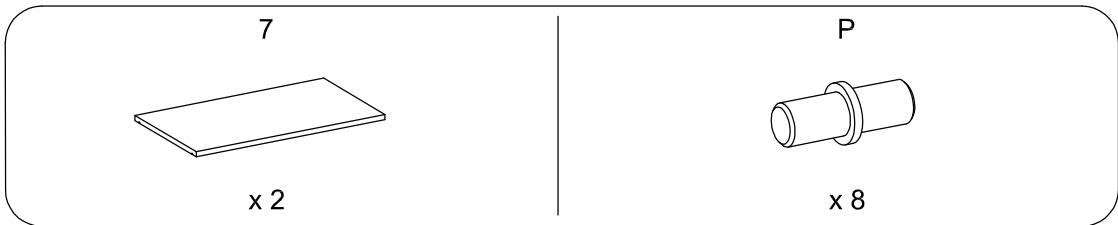


# 12

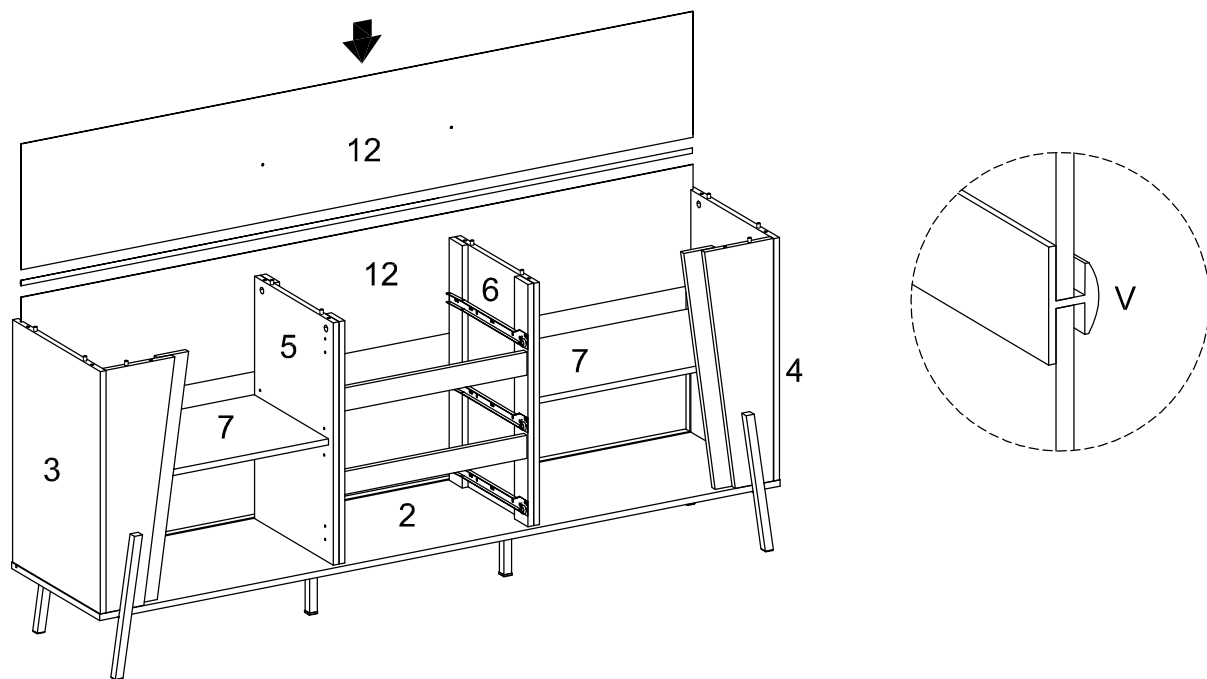
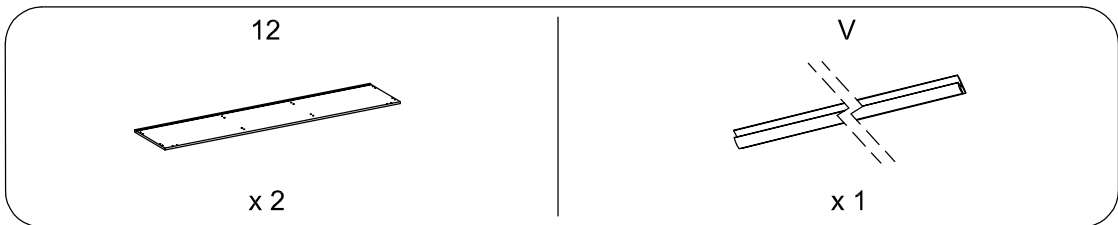
F M4 x 10 x 18	G1	G2	H M6 x 25 x 4	L	M
----------------------------	----	----	---------------------------	---	---



# 13

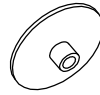


# 14

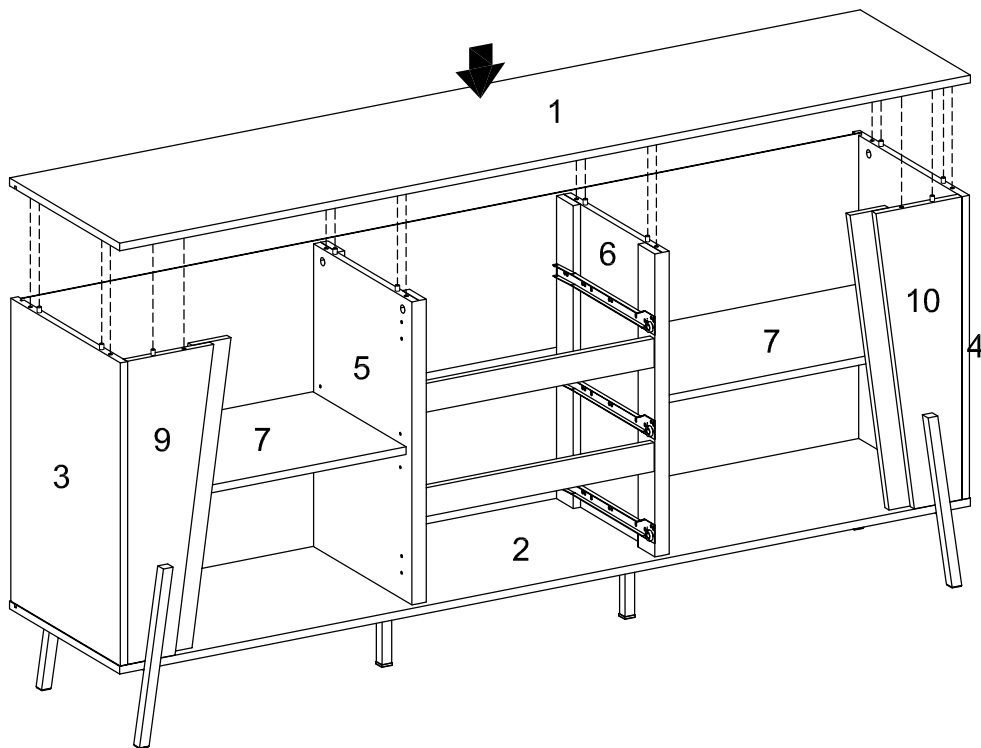
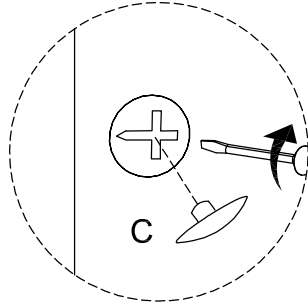


# 15

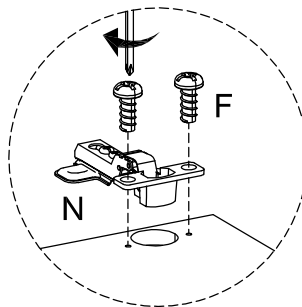
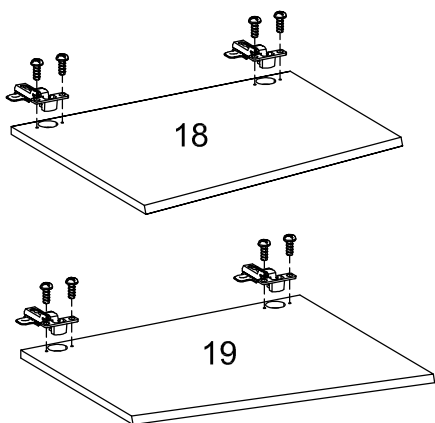
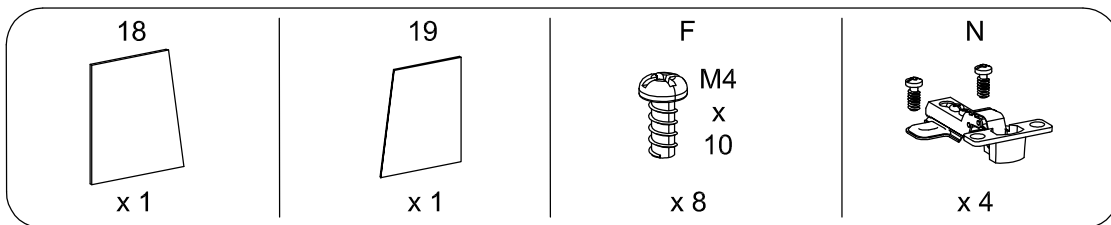
C



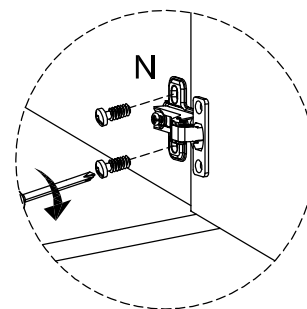
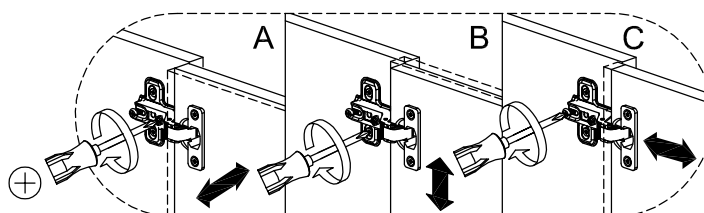
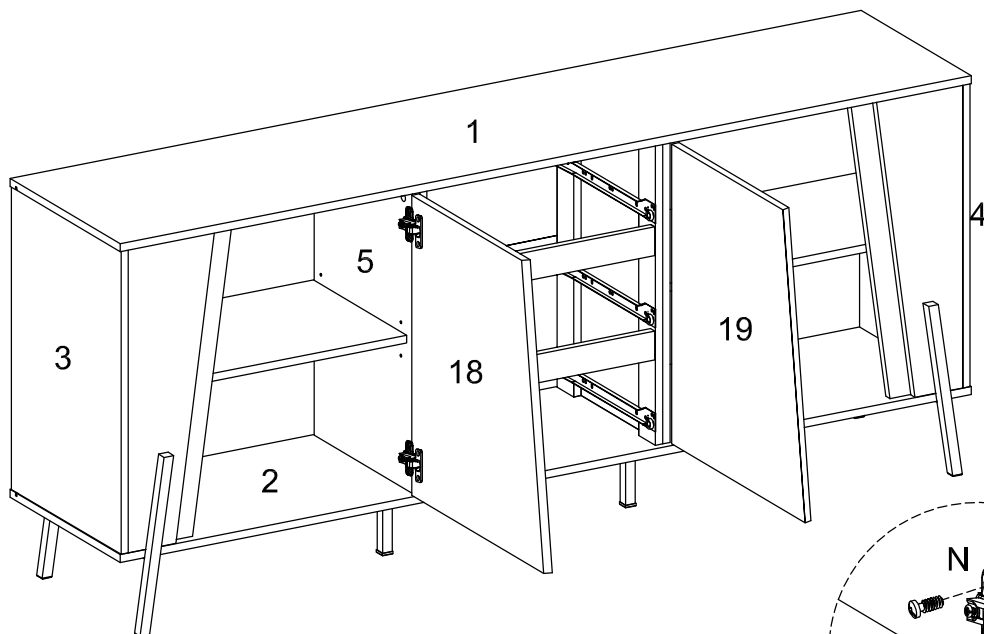
x 10





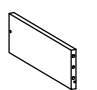
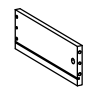

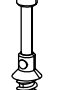
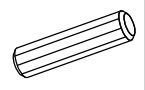
# 16

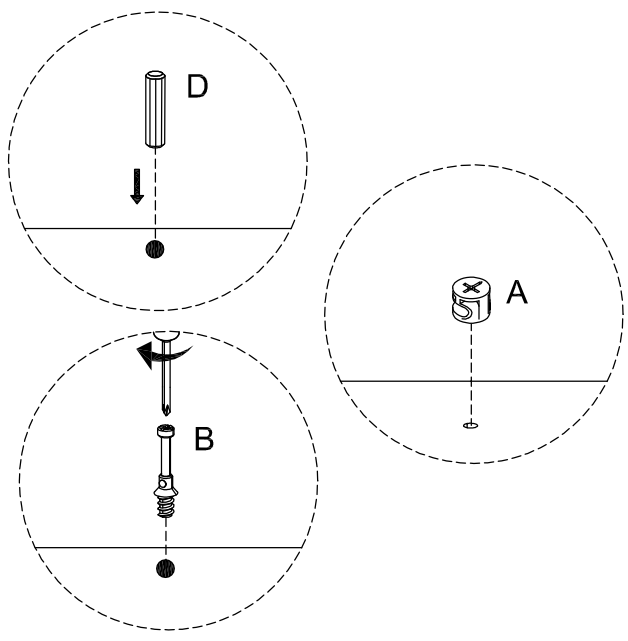
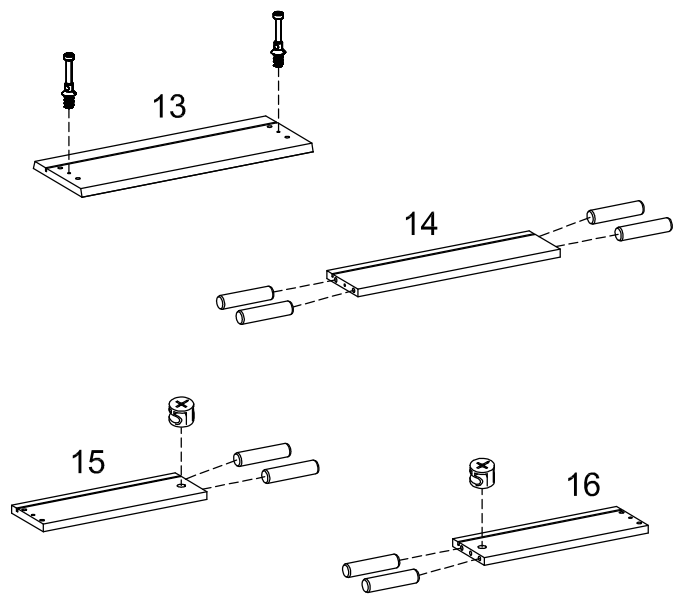


# 17

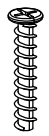


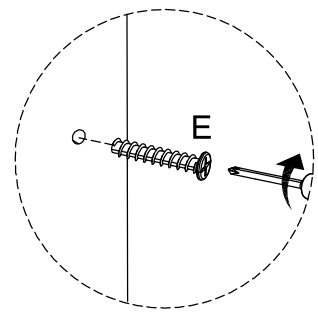
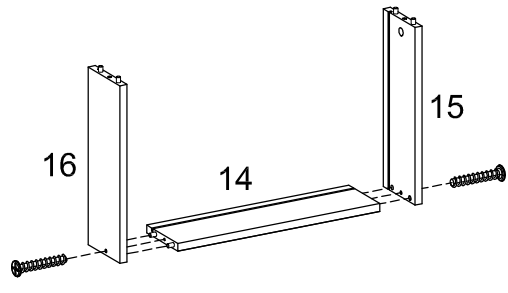
# 18 x 3

13	14	15	16	A	B	D
						
x 1	x 1	x 1	x 1	x 2	x 2	x 8



# 19 x 3

E

M10
x
33.5
x 2

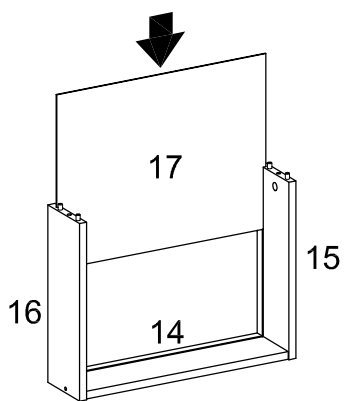


20 x 3

17



x 1

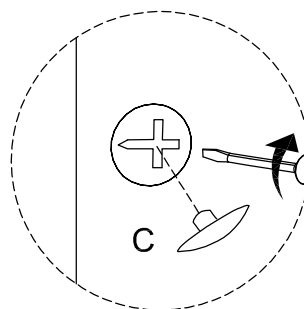
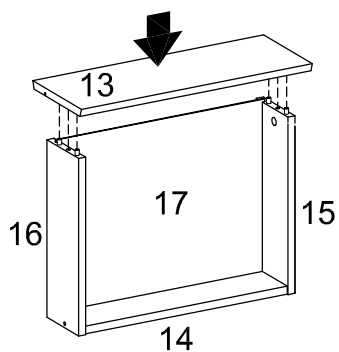


21 x 3

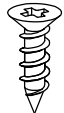
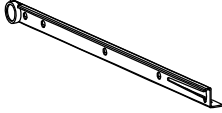
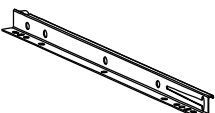
C

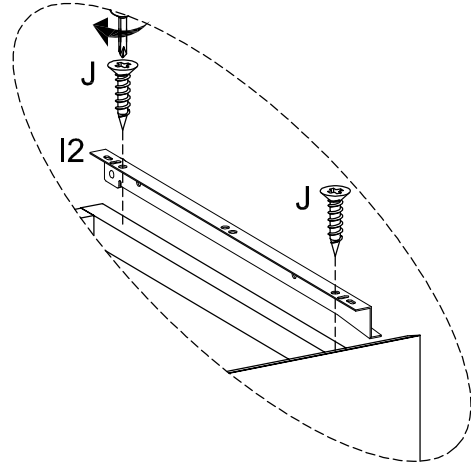
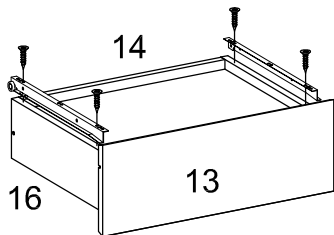
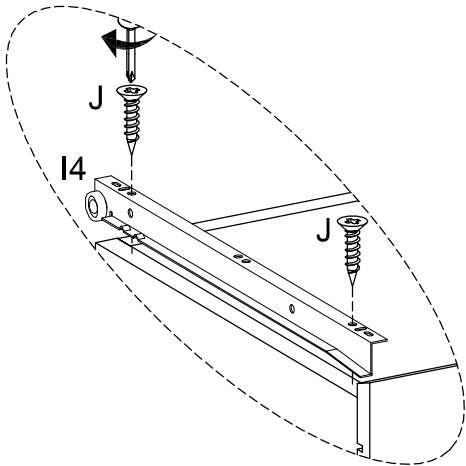


x 2

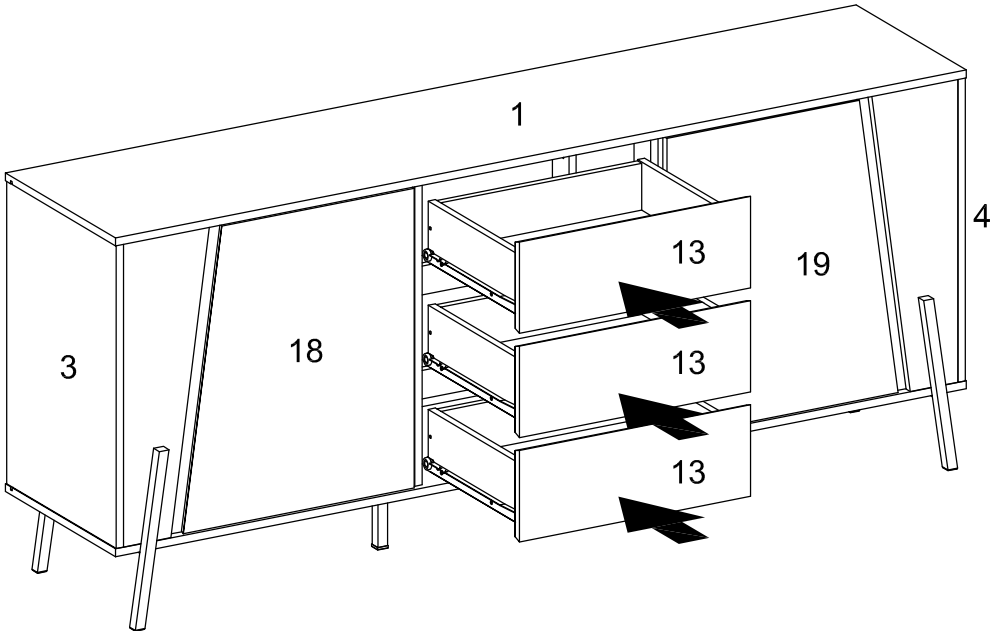


# 22 x 3

<p>J</p>  <p>M6 x 13</p> <p>x 4</p>	<p>I2</p>  <p>x 1</p>	<p>I4</p>  <p>x 1</p>
--	--	--


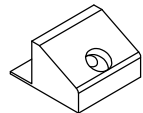




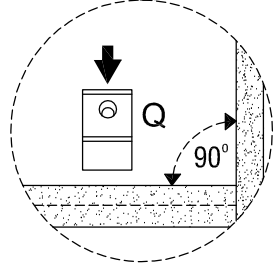
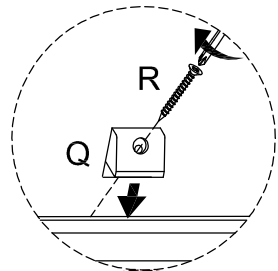
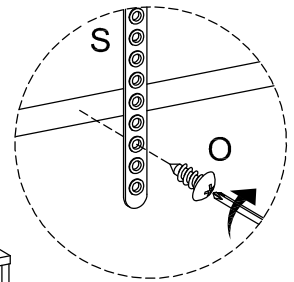
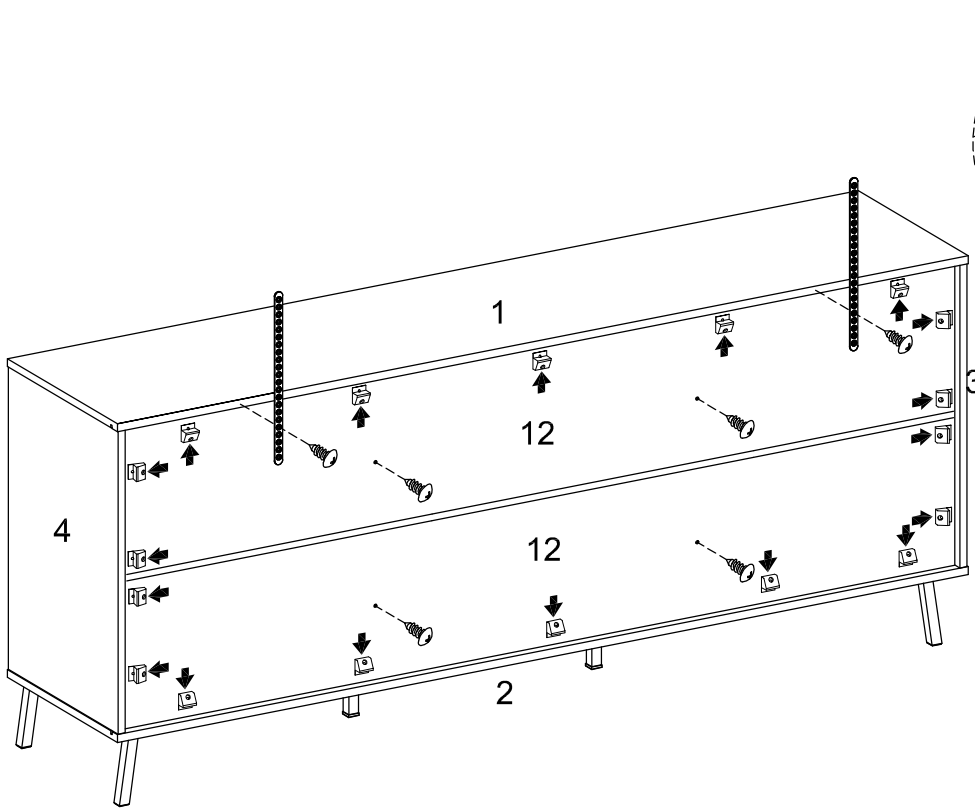
# 23





# 24

<p>O</p>  <p>x 6</p>	<p>Q</p>  <p>x 18</p>	<p>R</p>  <p>x 18</p>	<p>S</p>  <p>x 2</p>
---	--	---	---



# 25

