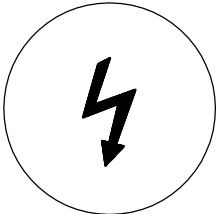
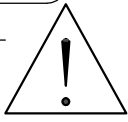

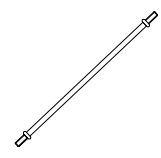
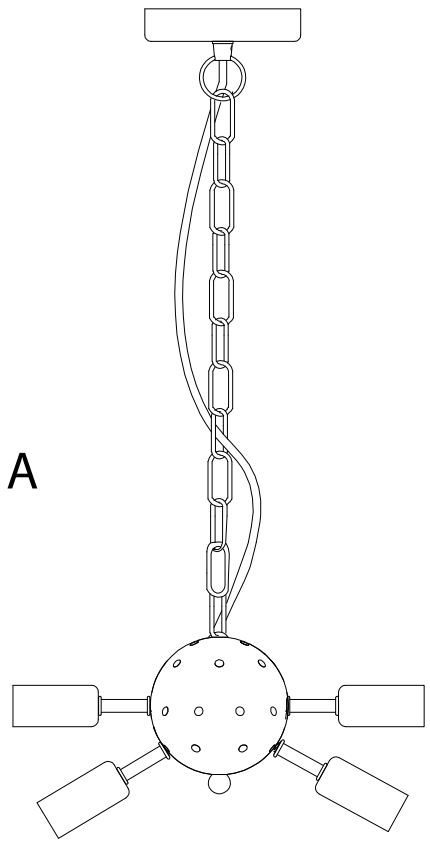
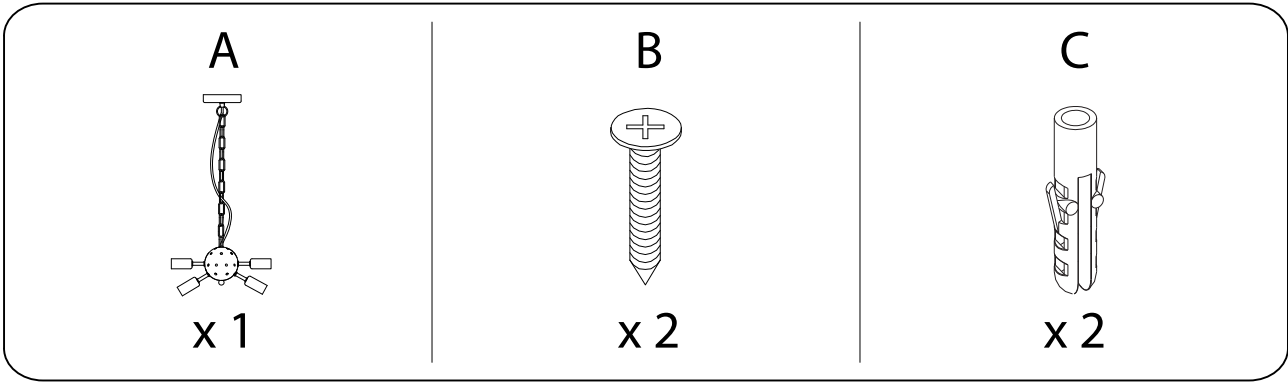

		15'
		
		1

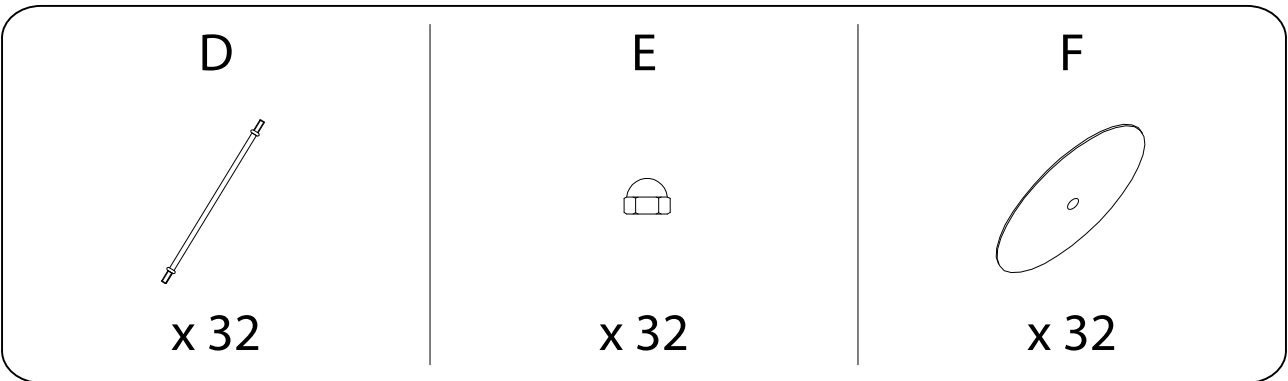
1/5



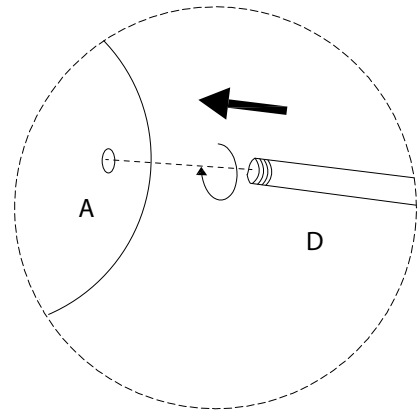
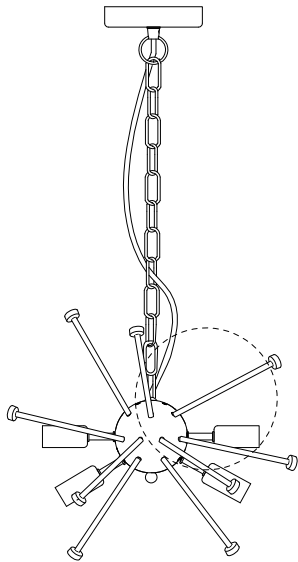
D x 32



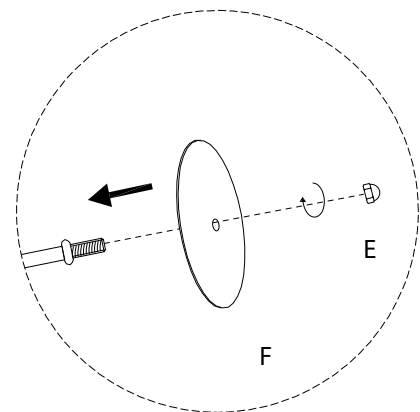
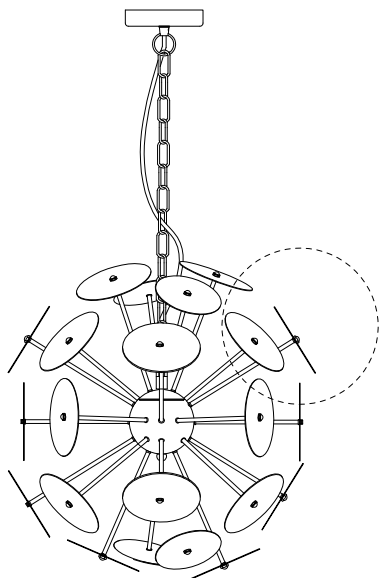
F x 32



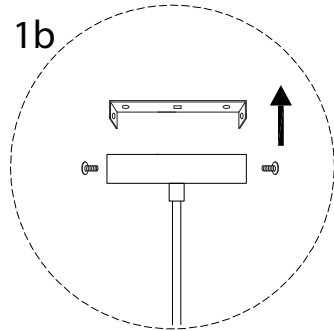
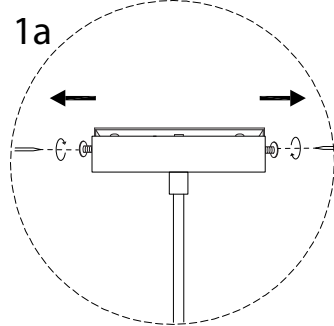
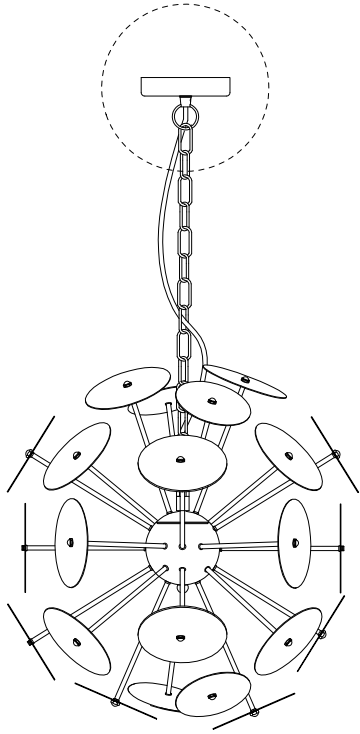
1 x 32



2 x 32

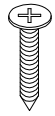


3



4

B

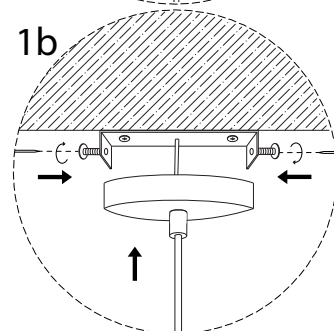
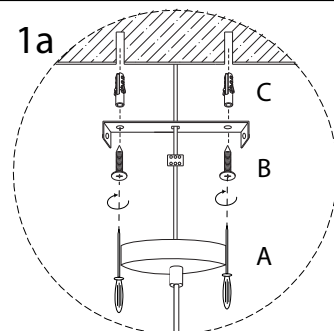
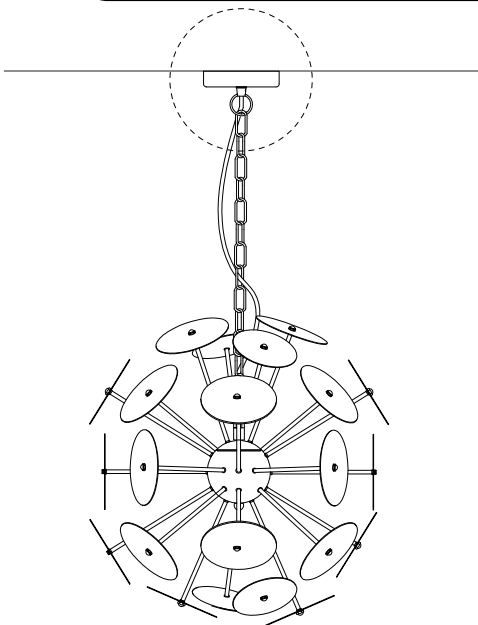


x 2

C



x 2



5 x 4

