

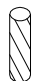











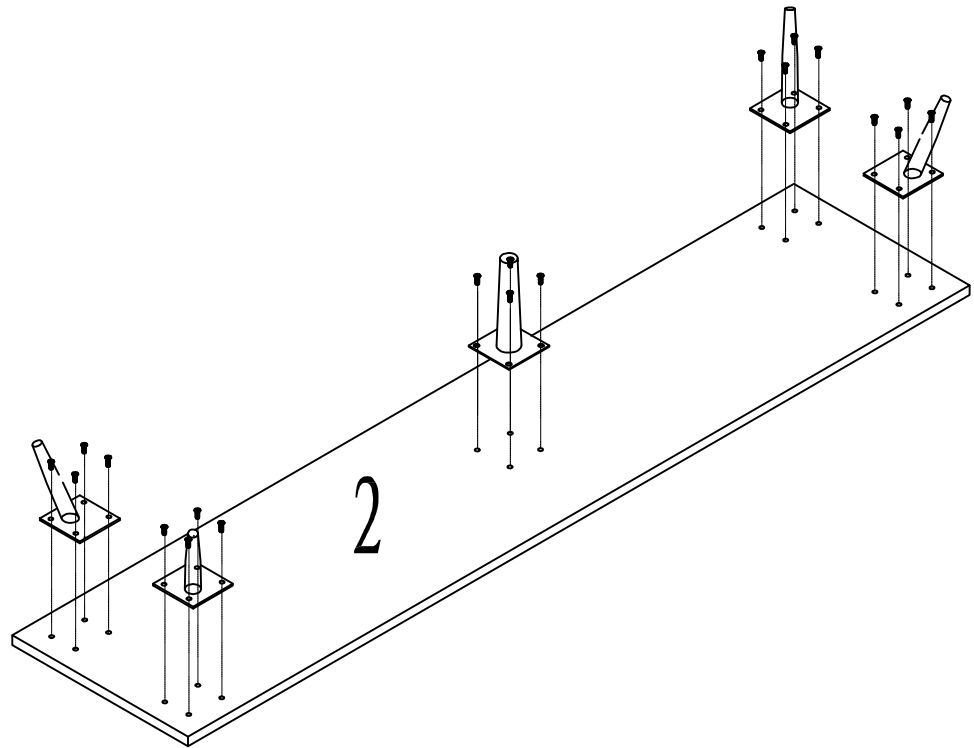
Z7BT11

NO.	SIZE	QTY	CTN NO.
1	1654*396*16	1	2-2
2	1654*396*16	1	2-2
3	386*395*16	2	2-1
4	386*359*16	2	2-1
5	562*358*16	1	2-2
6	576*382*16	2	2-2
7	1728*396*5	1	2-2




								
A	M6*40	20pcs	B	φ15*13.5	20pcs	C	φ8*30	20pcs
								
E	M6*12	20pcs	F	M4*20	4pcs	G	/	2pcs
								
H	W80D80H150	4pcs	I	W80D80H150	1pcs	J	big bend	4pcs

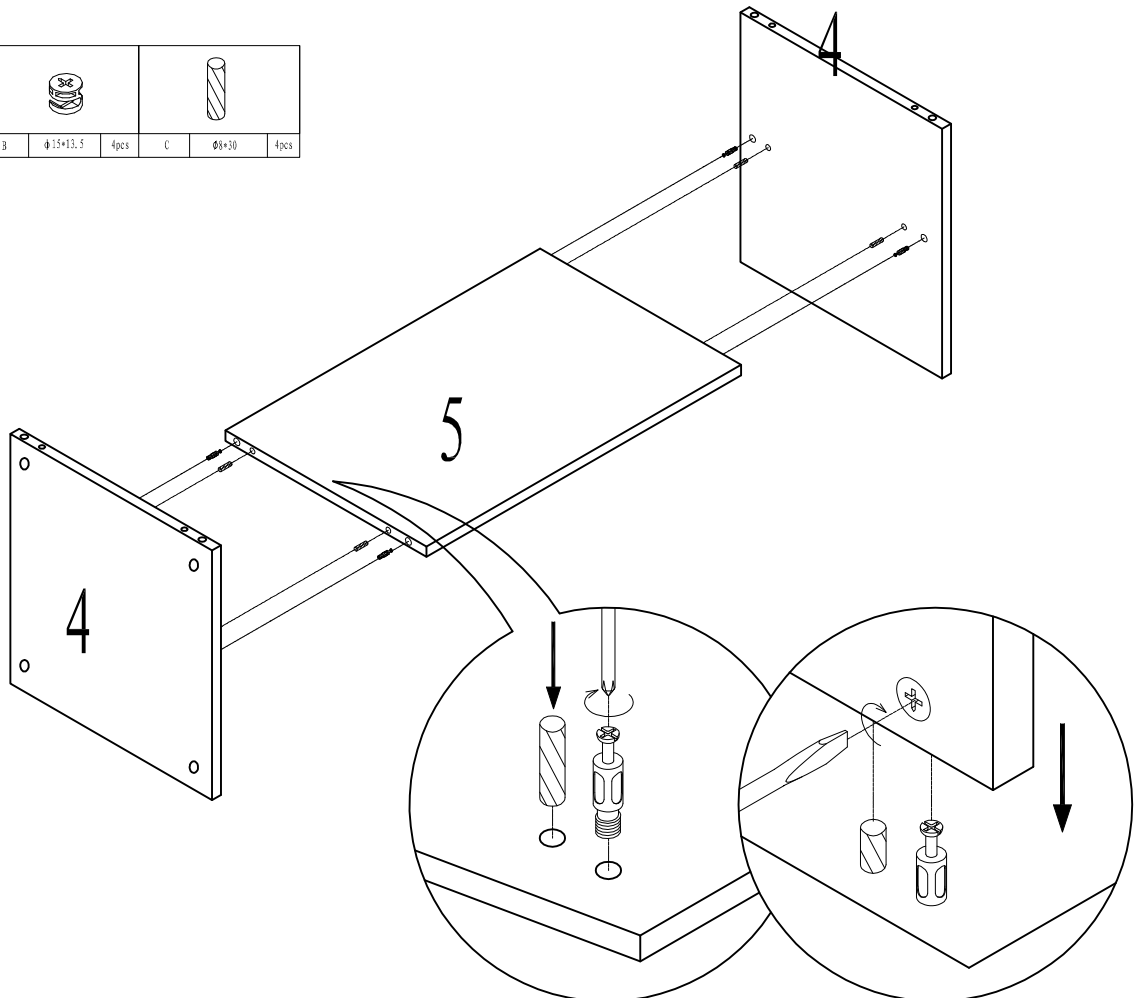
STEP 1:

								
H	K8008001150	4pcs	I	K8008001150	1pcs	E	M6*12	20pcs






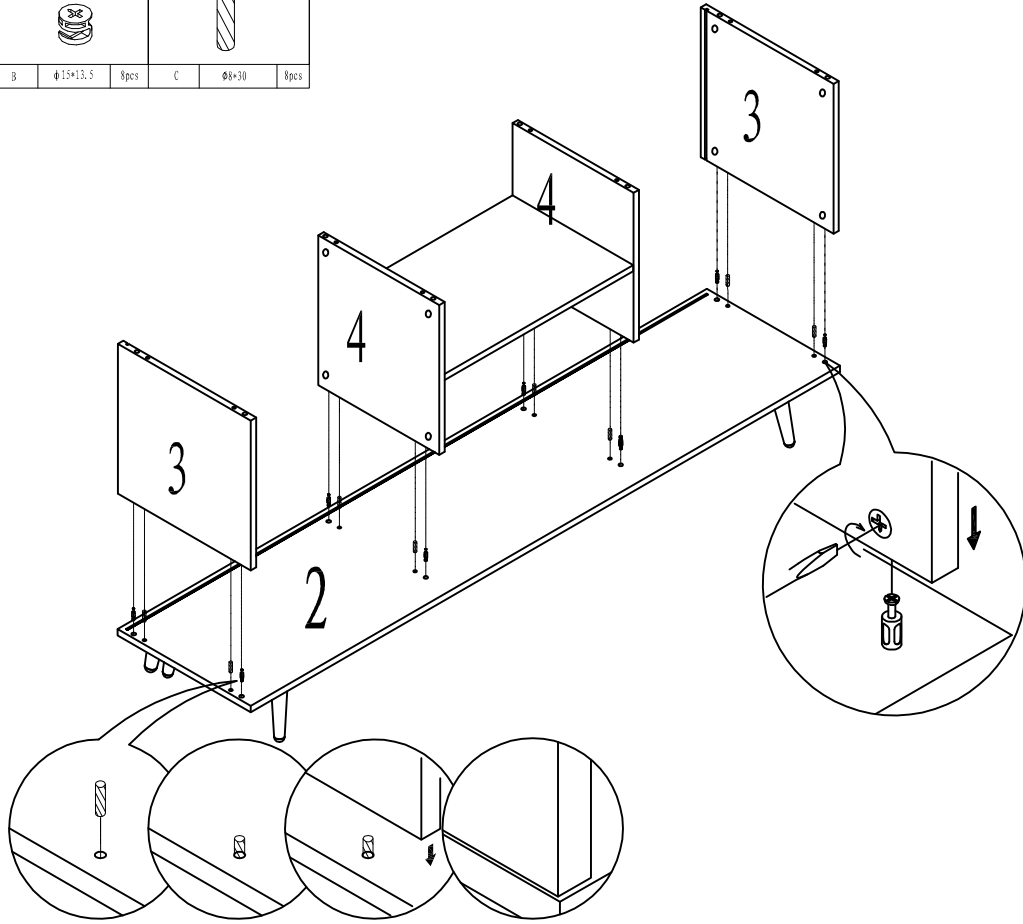
STEP 2:

								
A	M6*40	4pcs	B	φ13*13.5	4pcs	C	φ8*30	4pcs



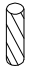


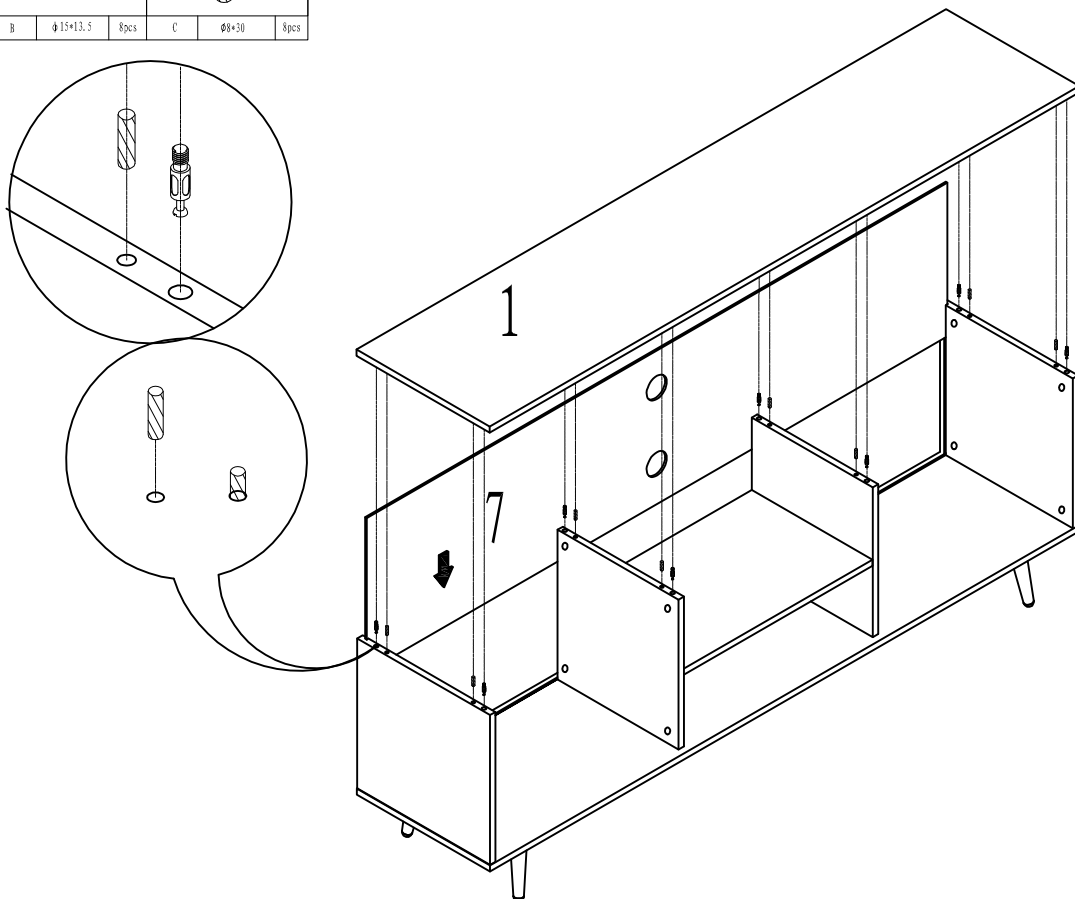
STEP 3:

		
A	M6*40	8pcs
B	Φ15*13.5	8pcs
C	Φ8*30	8pcs






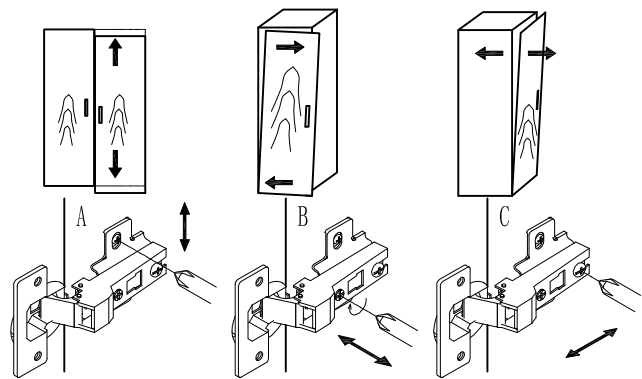
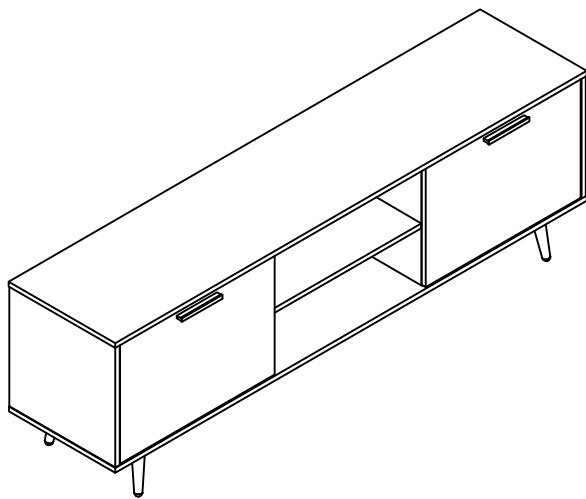
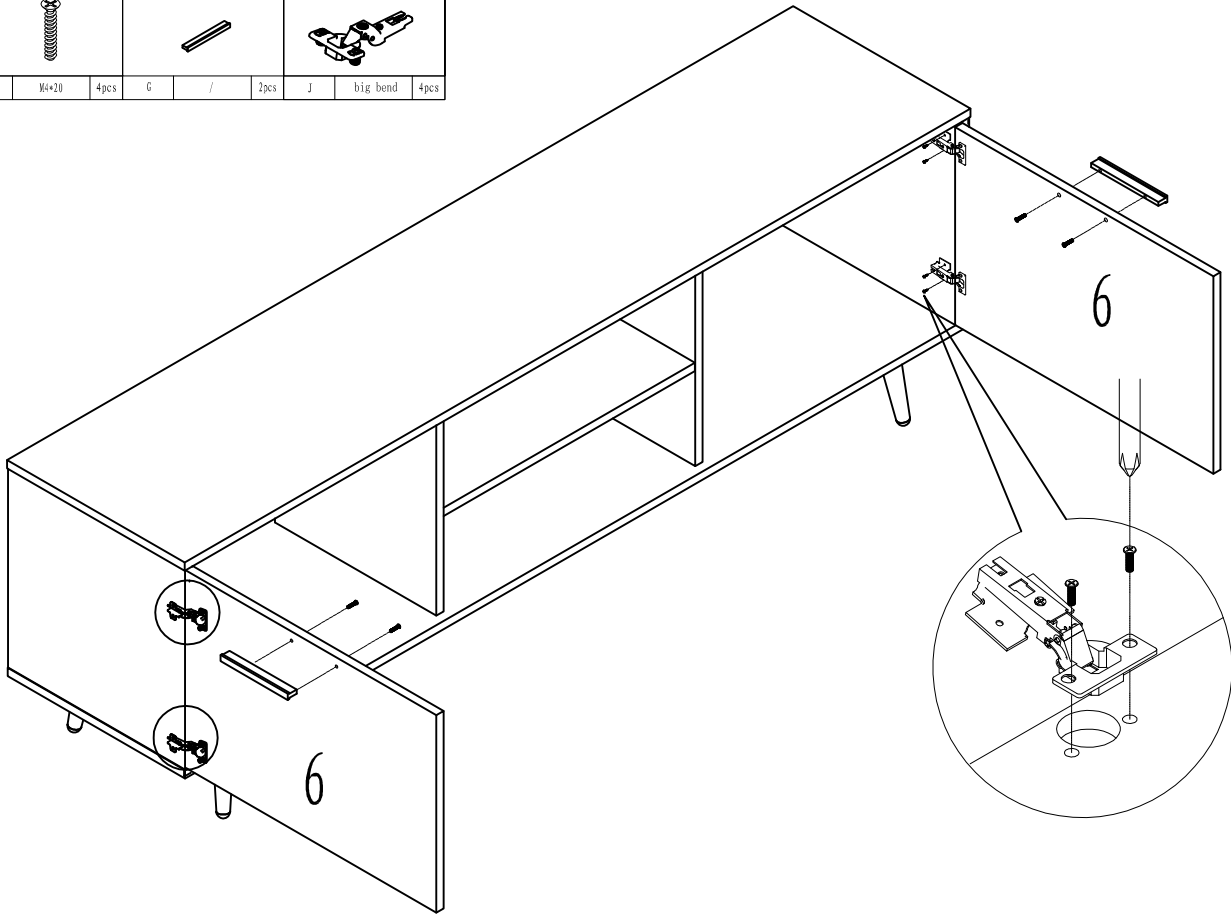
STEP 4:

		
A	M6*40	8pcs
B	Φ15*13.5	8pcs
C	Φ8*30	8pcs



STEP 5:

								
F	M4*20	4pcs	G	/	2pcs	J	big bend	4pcs



Adjust the up and down gap through screw A

Adjust the left and right gap through screw B

Adjust the front and back gap through screw C

