




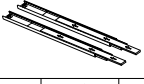

K2GS01

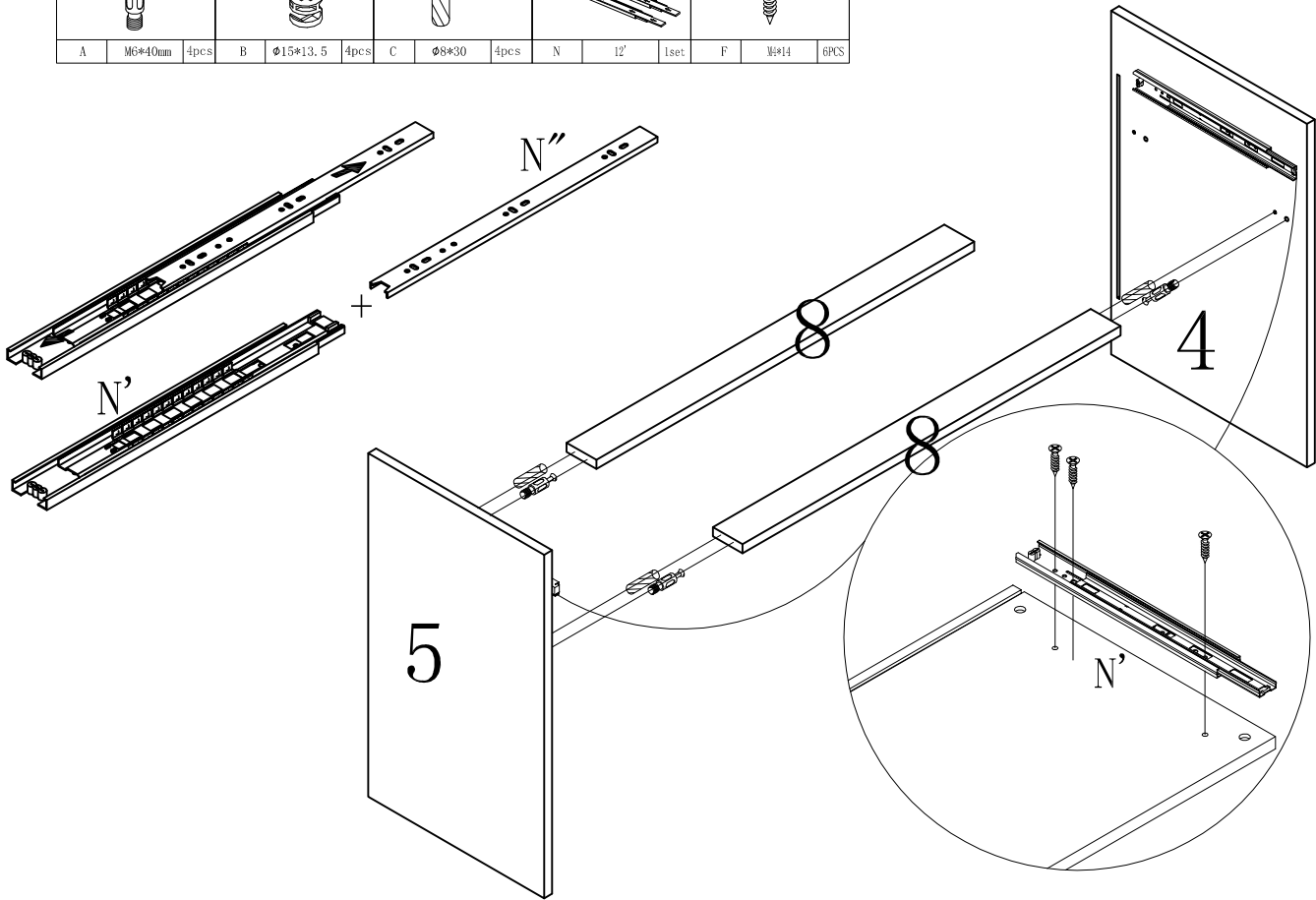
NO.	SIZE	QTY	CTN No.
1	1174*396*16	1	2-1
2	1174*396*16	1	2-1
3	600*395*16	1	2-2
4	600*395*16	1	2-2
5	600*355*16	1	2-2
6	402*355*16	1	2-2
7	362*354*16	1	2-2
8	762*60*16	2	2-1
9	1140*110*16	2	2-1
10	1150*390*5	1	2-1
11	596*376*16	1	2-2
12	398*376*16	1	2-2
13	758*196*16	1	2-1
14	350*150*12	2	2-2

NO.	SIZE	QTY	CTN No.
15	712*150*12	1	2-1
16	334*60*12	1	2-1
17	722*344*5	1	2-1
18	382*371*12	2	2-2
19	376*370*12	1	2-2
20	376*370*12	1	2-2
21	376*352*12	1	2-2
22	196*351*12	1	2-2
23	386*366*5	1	2-2



A M6*40mm 30pcs	B Ø15*13.5 30pcs	C Ø8*30 22pcs
D M7*50mm 2pcs	E Ø12*10mm 5set	F Ø4*14 12PCS
G M4*30 6PCS	H Ø6*30 2pcs	I M4*30 14pcs
J M6*12mm 5pcs	L M4*20mm 3PCS	M / 3PCS
K / 4pcs	N i27 1set	O big bend 4pcs

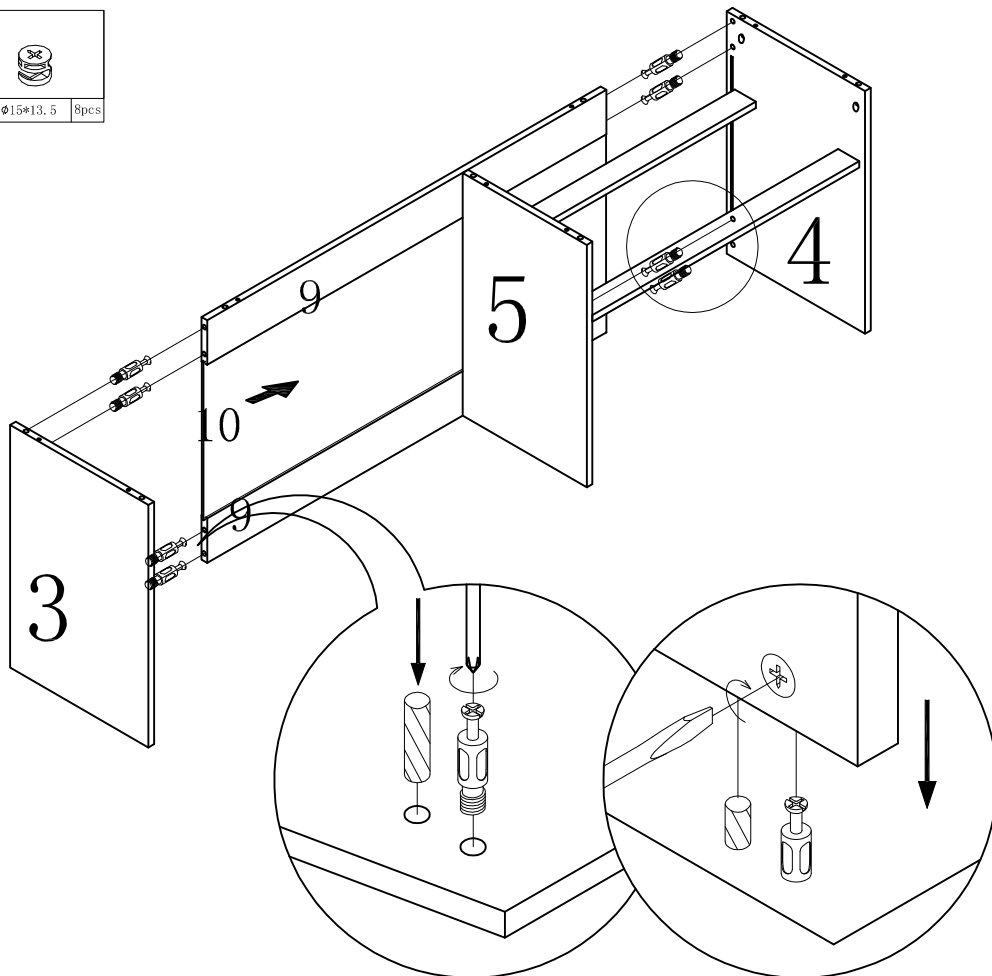
STEP 1:

														
A	M6*40mm	4pcs	B	Φ15*13.5	4pcs	C	Φ8*30	4pcs	N	12'	1set	F	M*14	6PCS

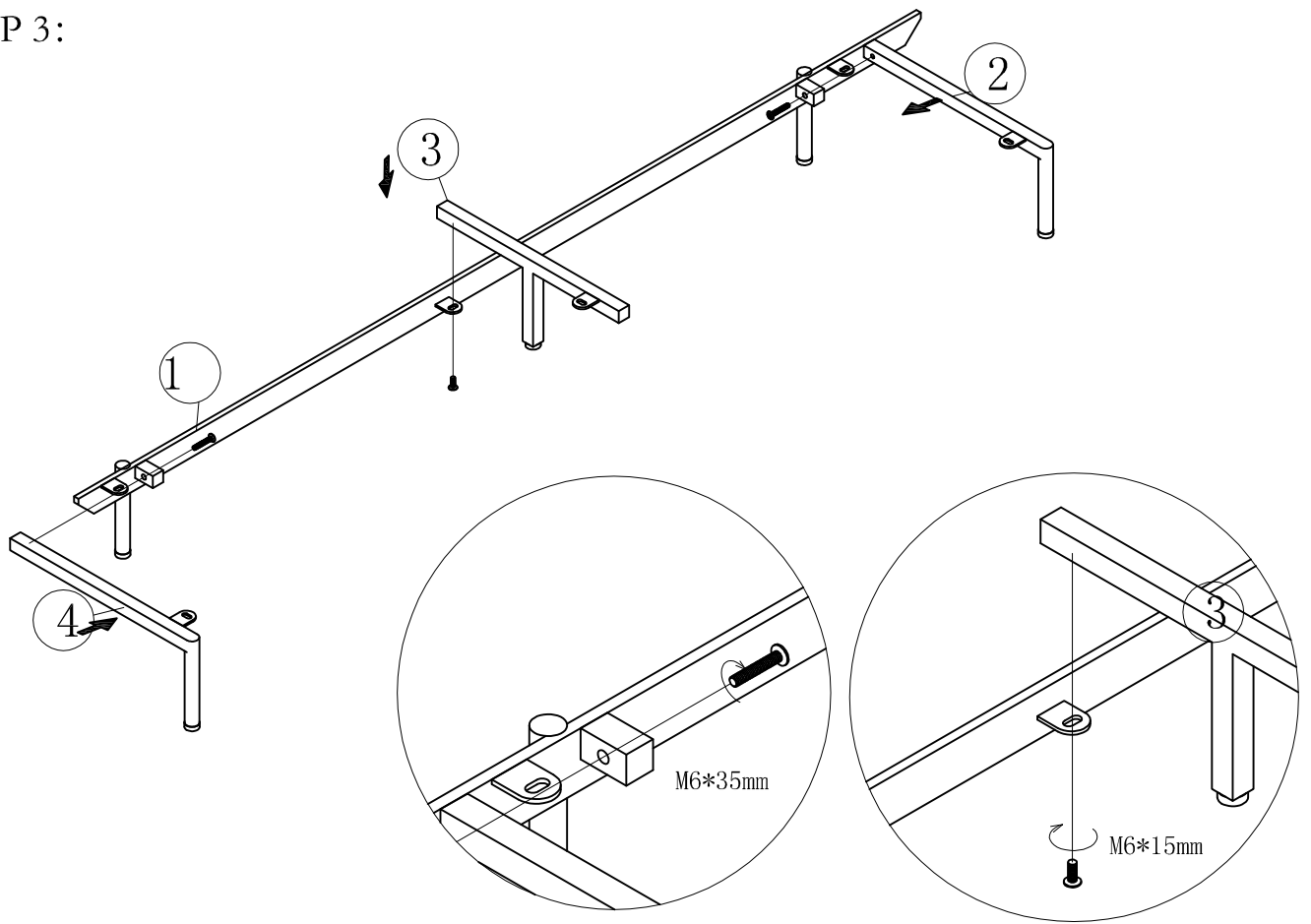


STEP 2:

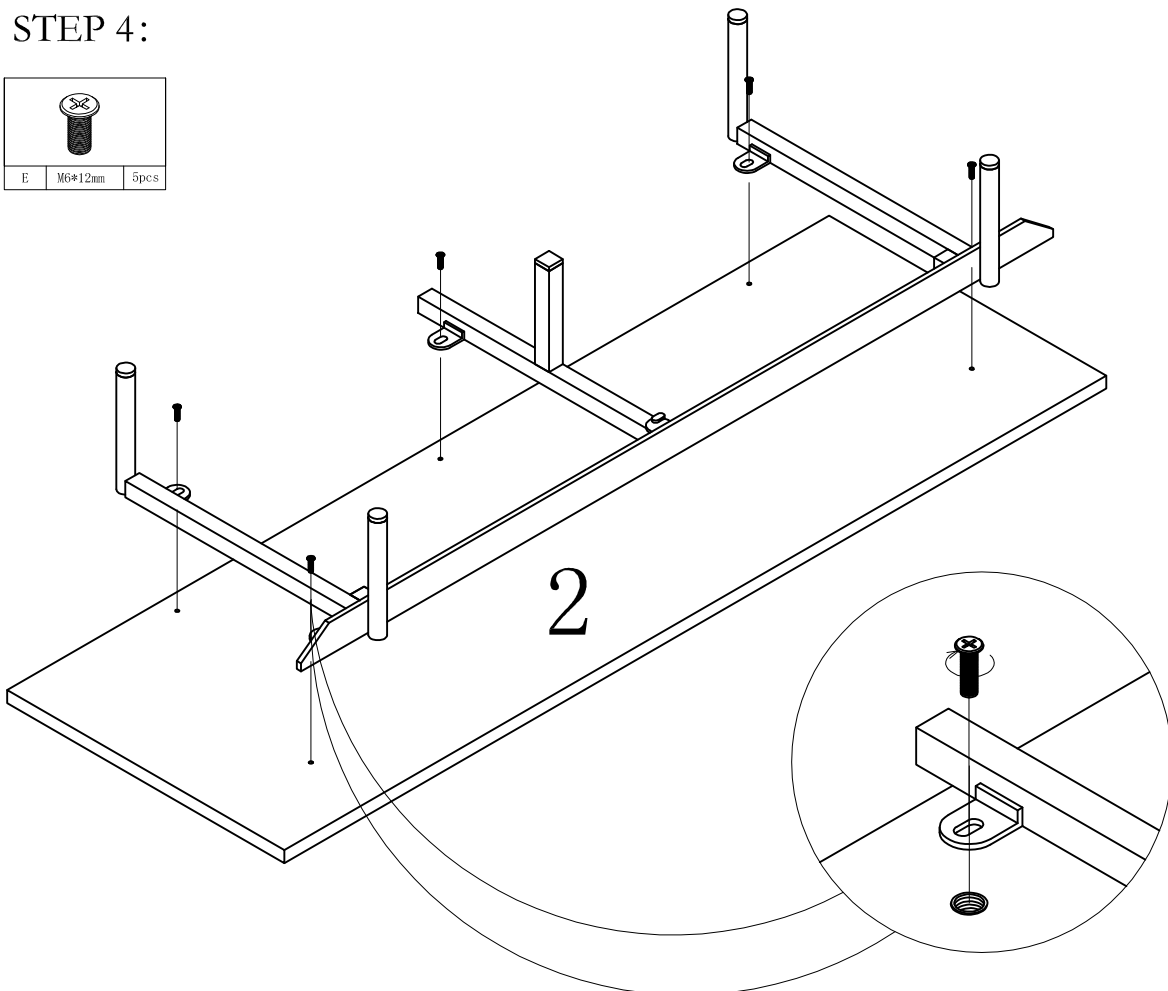
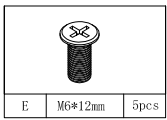
					
A	M6*40mm	8pcs	B	Φ15*13.5	8pcs







STEP 3:

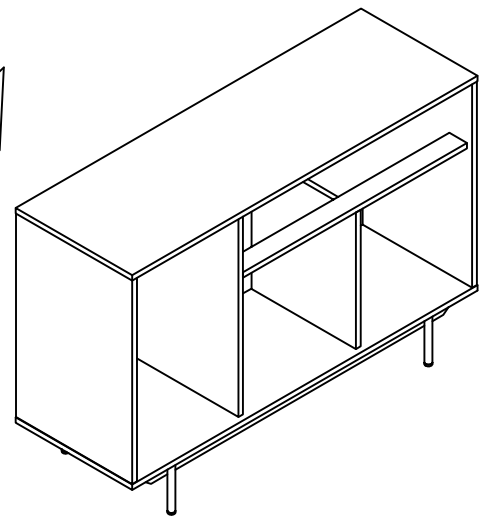
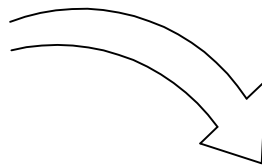
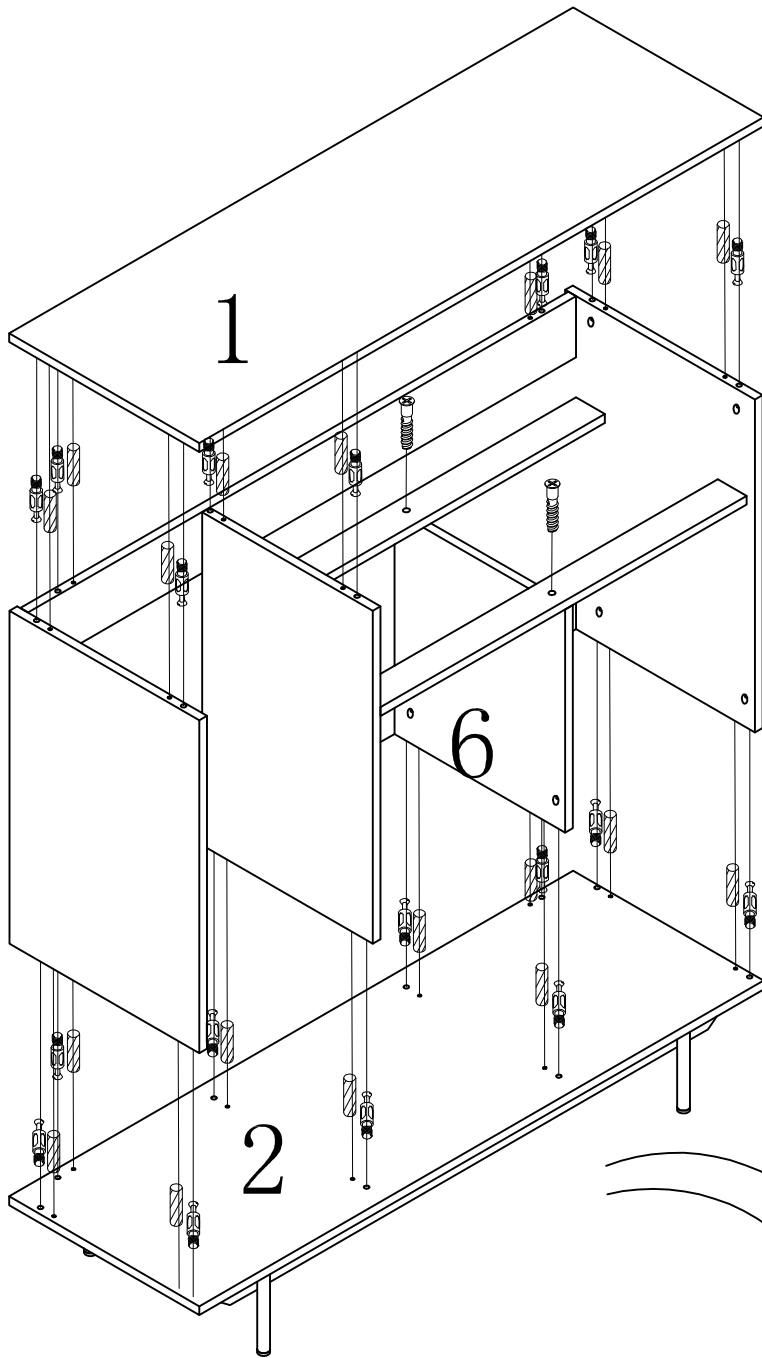


STEP 4:

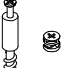







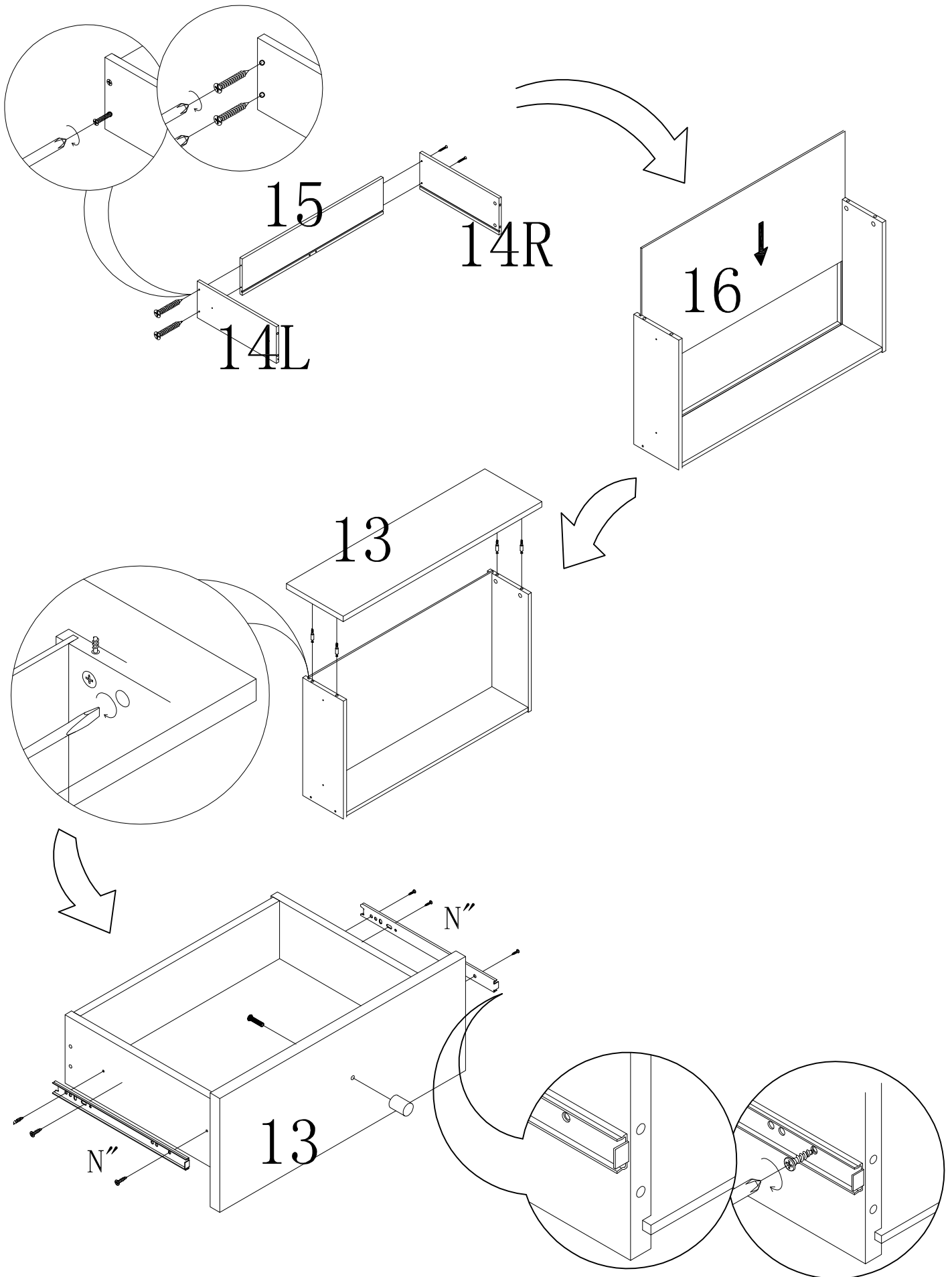
STEP 5:

											
A	M6*10mm	18pcs	B	Ø15*13.5	18pcs	C	Ø8*30	18pcs	D	M7*50mm	2pcs





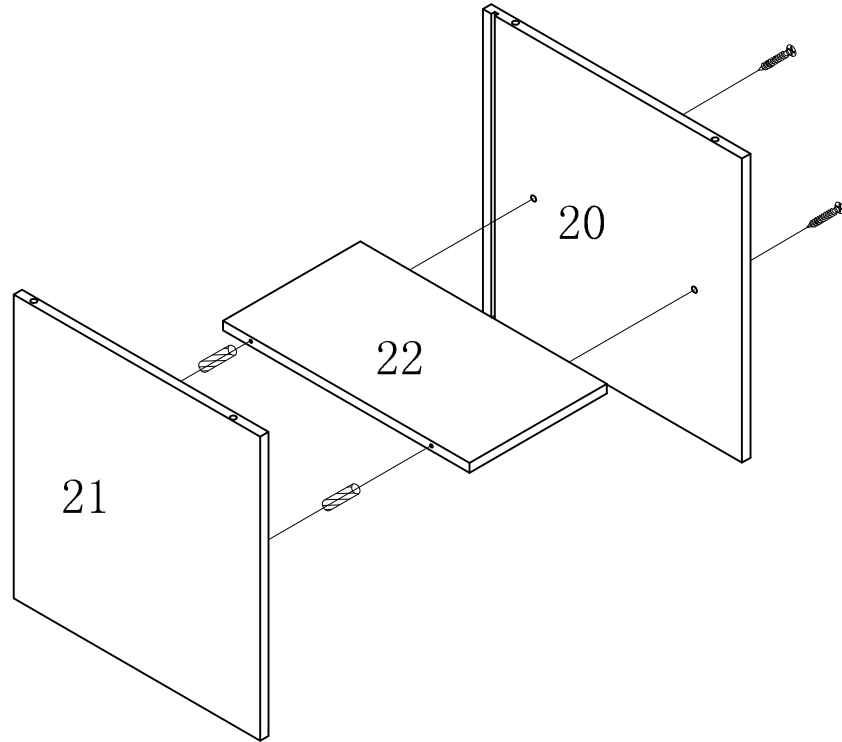
STEP 6:

																	
E	∅12*10mm	5set	F	M*14	6PCS	G	M*30	6PCS	N	12"	1set	M	/	1PCS	L	M4*20mm	1PCS




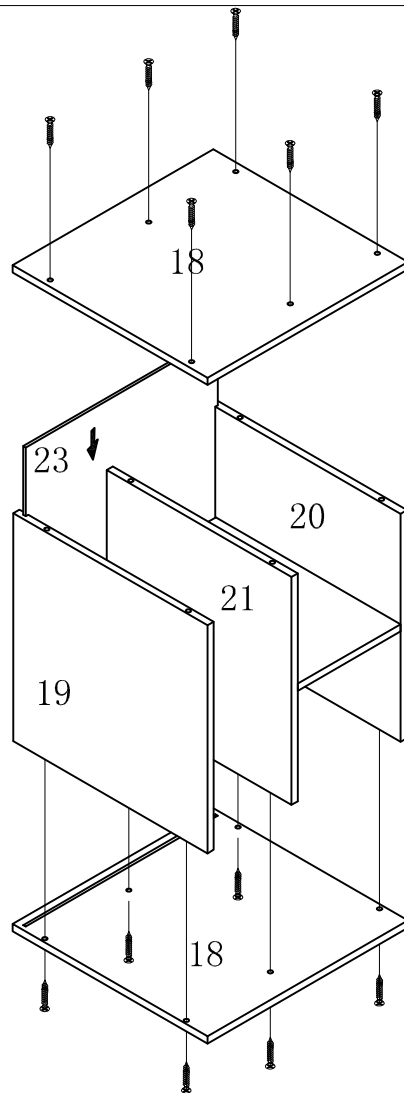
STEP 7:

					
I	M4*30	2pcs	II	∅6*30	2pcs

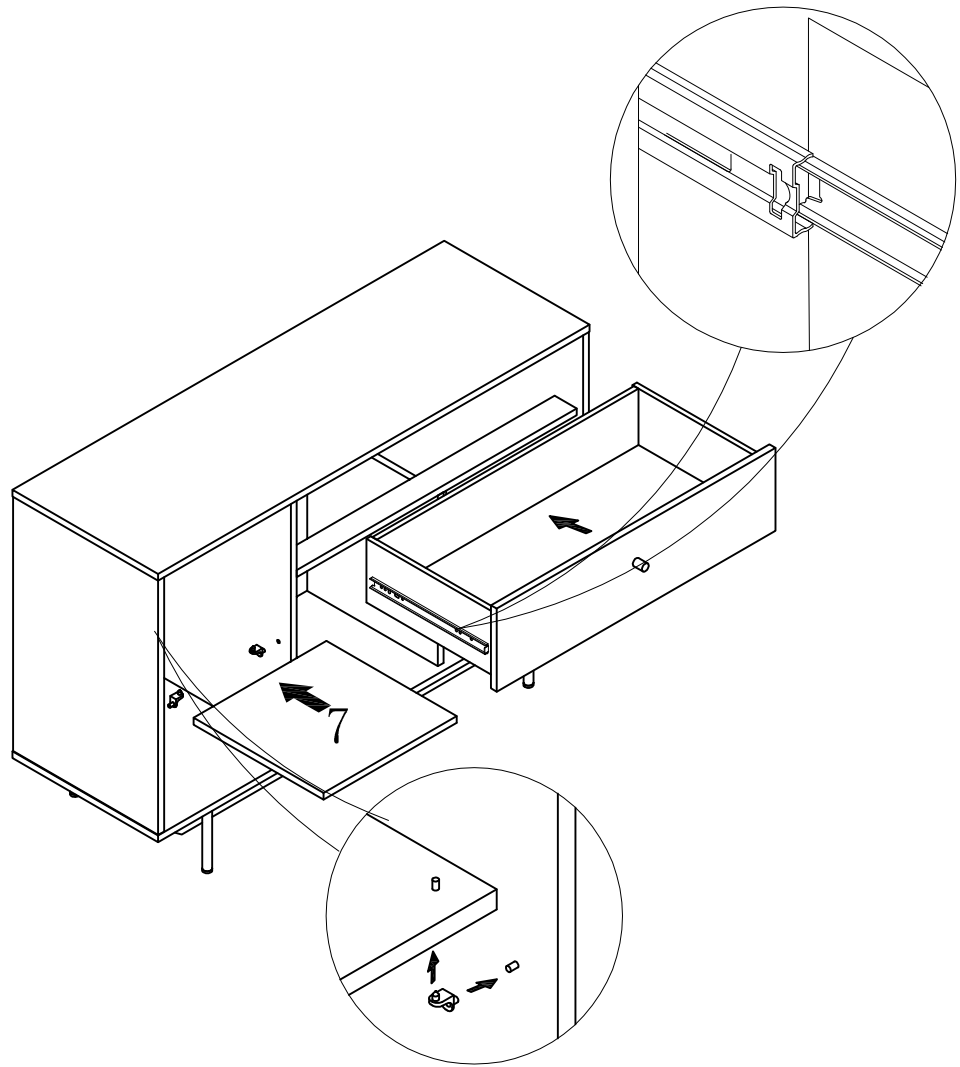
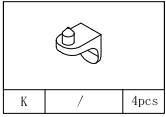


STEP 8:

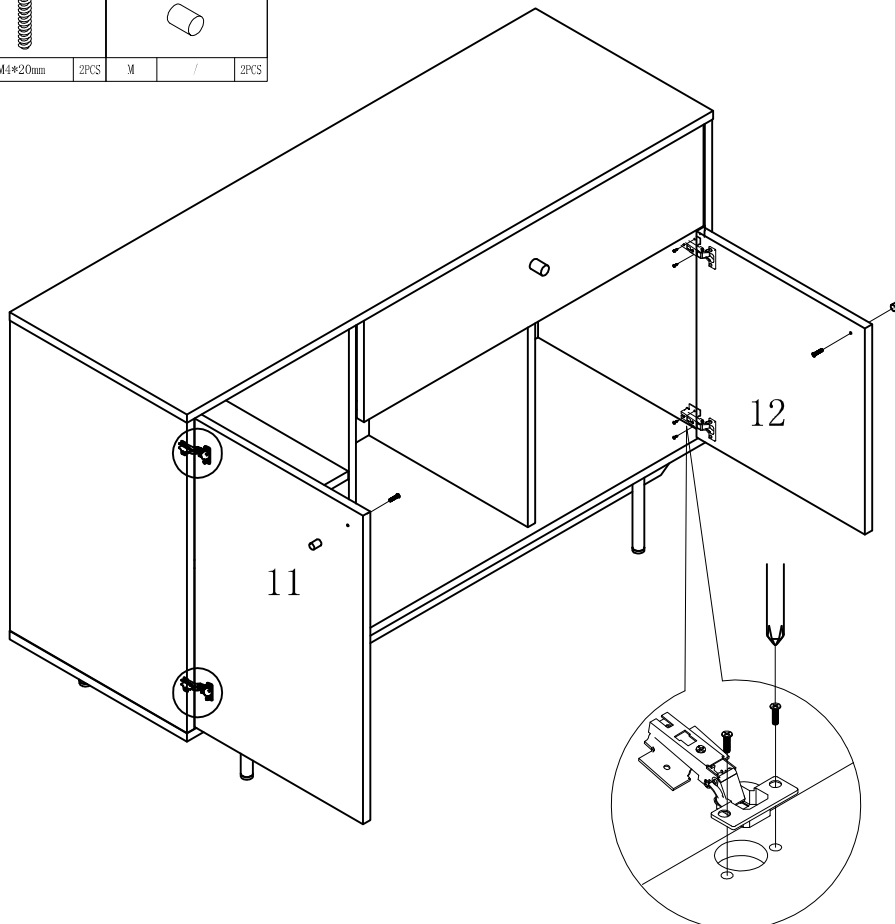
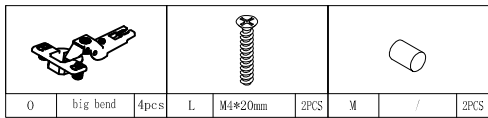
		
I	M4*30	12pcs



STEP 9:



STEP 10:



STEP 11:

