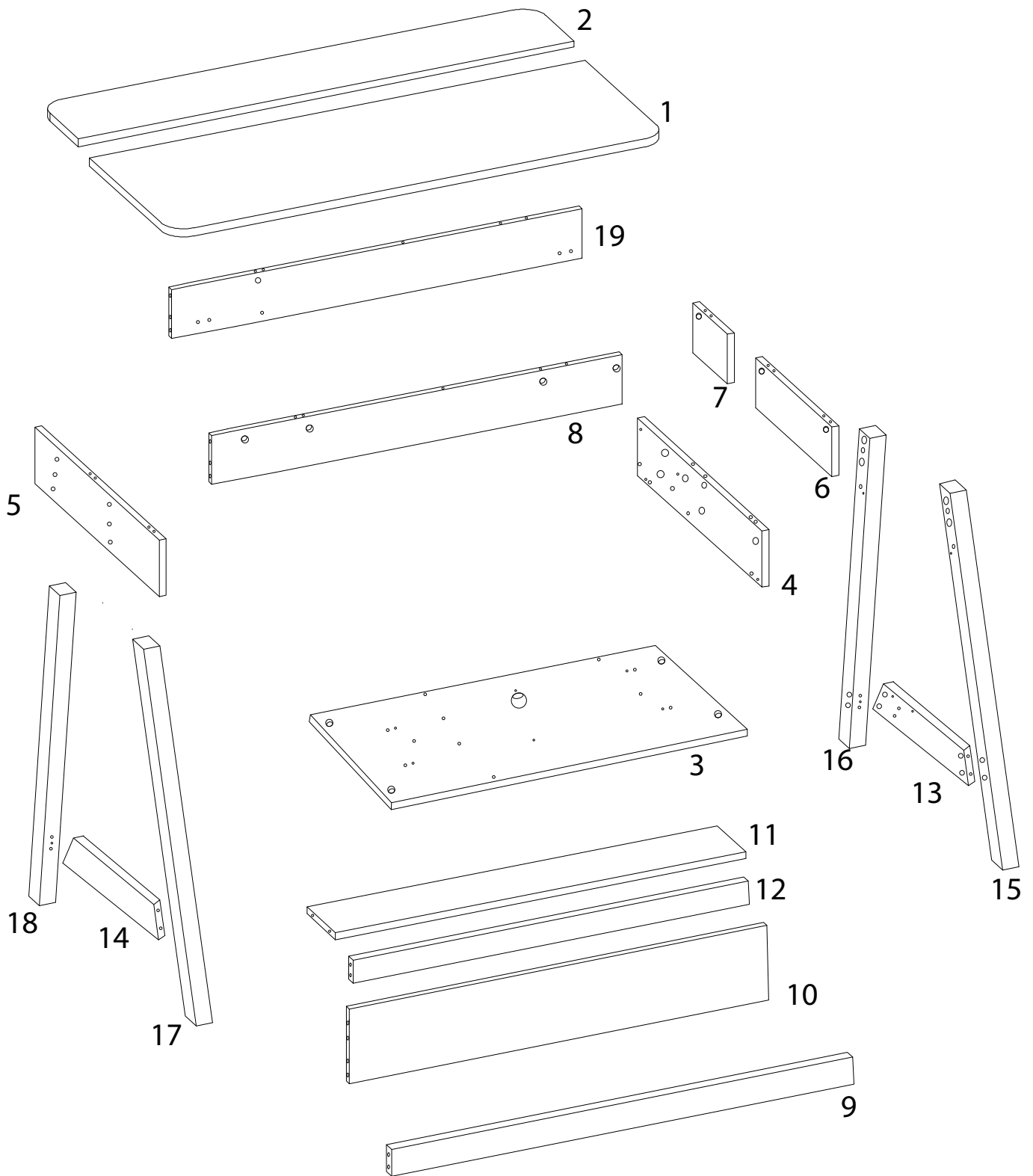
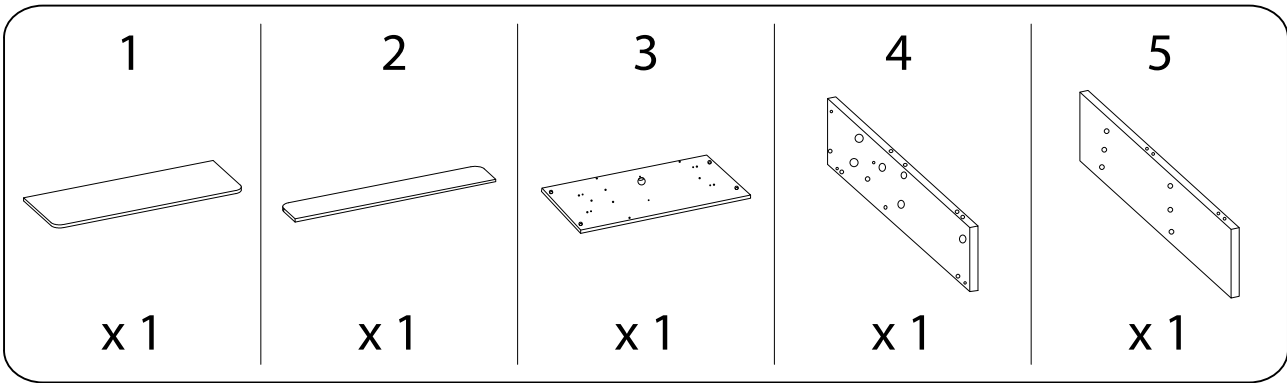
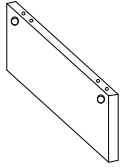
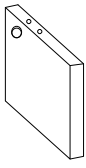

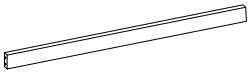
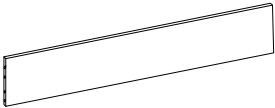

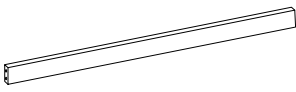
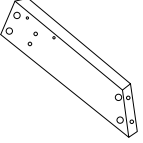
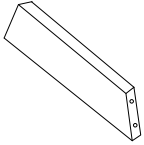




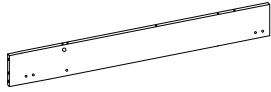

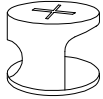

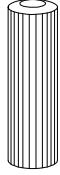

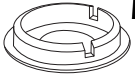
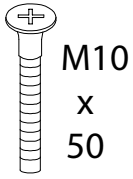


A circular icon containing a hammer and a screwdriver. To the right of this circle is a power drill with a diagonal line through it, indicating it should not be used.		
A circular icon showing a cushion on a mat. To the right is another cushion being lifted by a hand, with a diagonal line through it, indicating it should not be lifted this way.		
		60'
		2



<p>6</p>  <p>x 1</p>	<p>7</p>  <p>x 1</p>	<p>8</p>  <p>x 1</p>	<p>9</p>  <p>x 1</p>
<p>10</p>  <p>x 1</p>	<p>11</p>  <p>x 1</p>	<p>12</p>  <p>x 1</p>	<p>13</p>  <p>x 1</p>
<p>14</p>  <p>x 1</p>	<p>15</p>  <p>x 1</p>	<p>16</p>  <p>x 1</p>	<p>17</p>  <p>x 1</p>
<p>18</p>  <p>x 1</p>	<p>19</p>  <p>x 1</p>	<p>A</p>  <p>M7.5 x 32</p> <p>x 33</p>	<p>B</p>  <p>M15 x 12</p> <p>x 41</p>
<p>C</p>  <p>M25</p> <p>x 16</p>	<p>D</p>  <p>M7.8 x 32</p> <p>x 52</p>	<p>E</p>  <p>M7.8 x 40</p> <p>x 4</p>	<p>F</p>  <p>M17</p> <p>x 8</p>

G



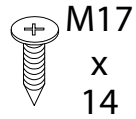
x 7

H



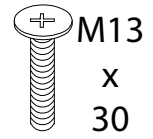
x 2

J



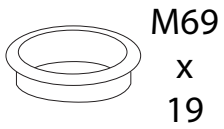
x 4

K



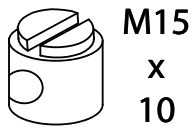
x 8

L



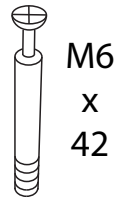
x 1

M



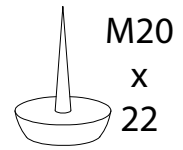
x 8

N



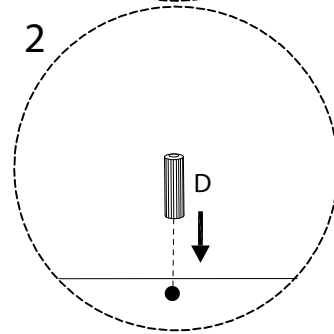
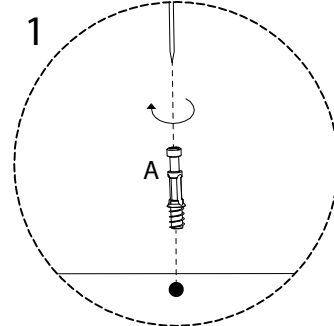
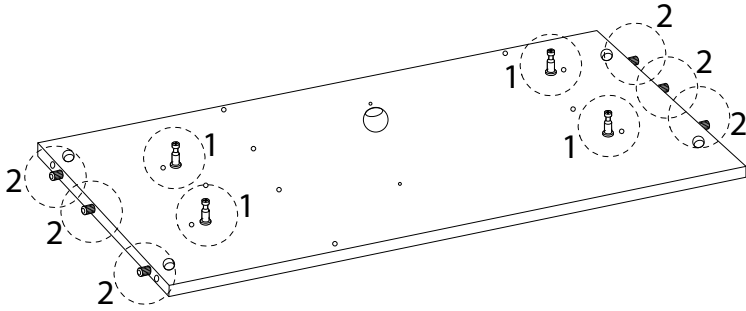
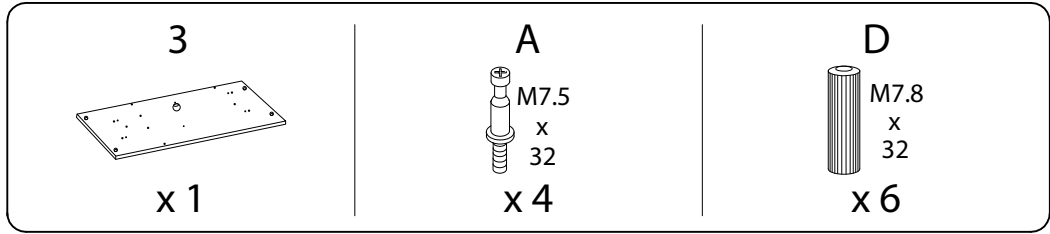
x 8

P

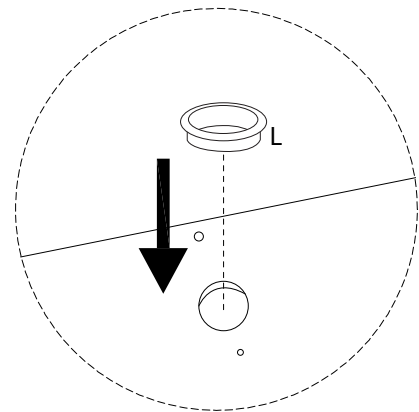
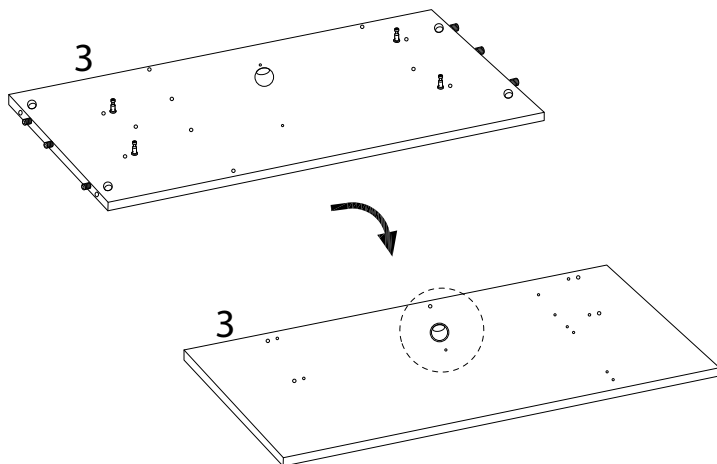
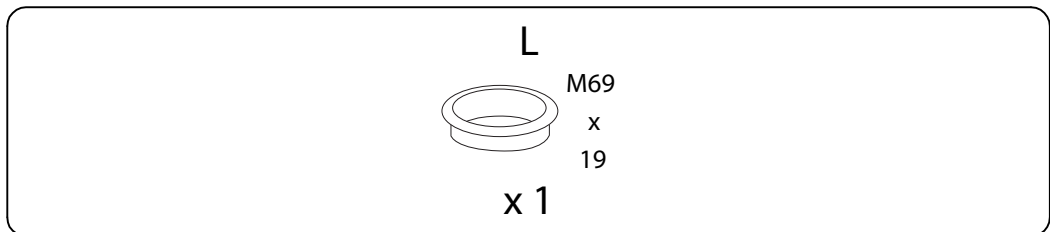


x 4

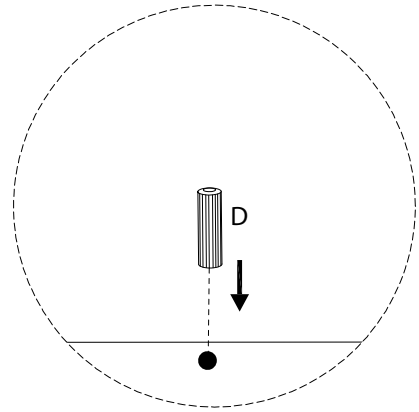
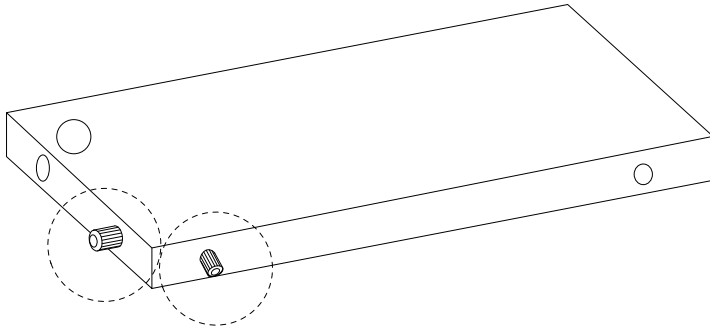
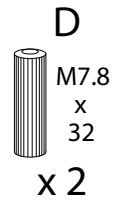
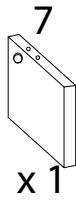
1



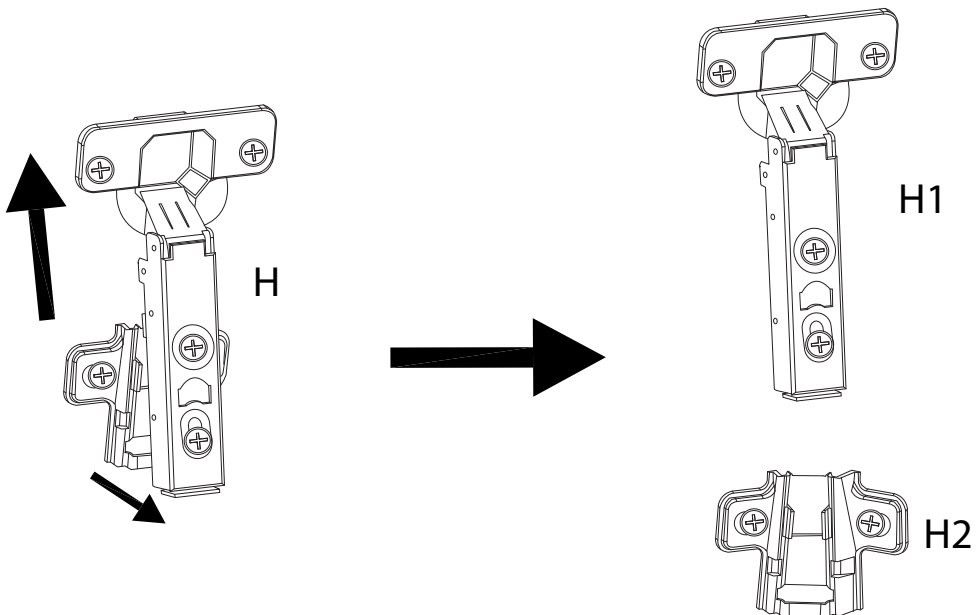
2






3

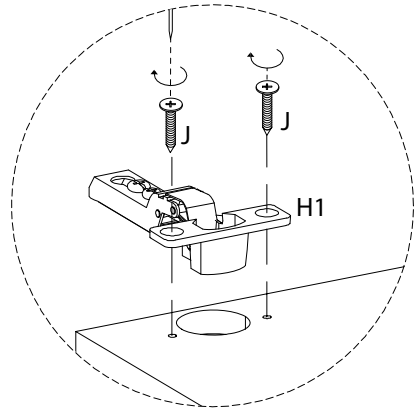
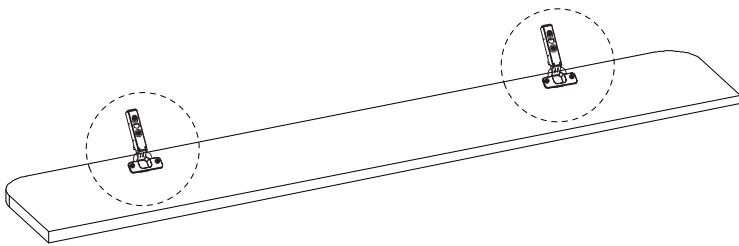


!

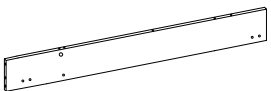
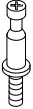
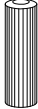


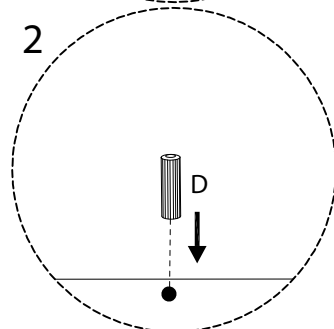
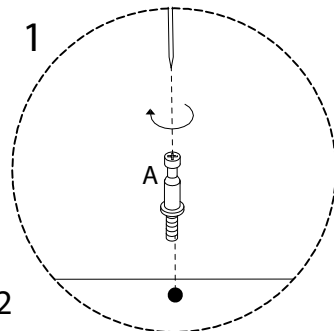
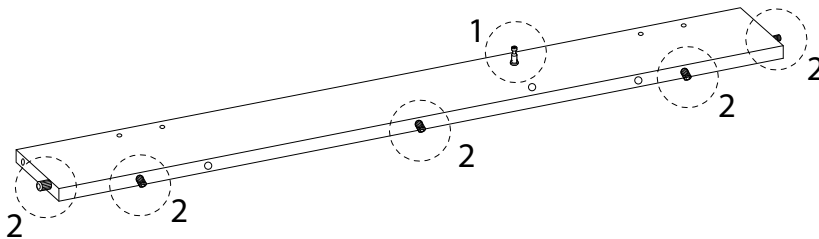
4

2  x 1	H1  x 2	J  M17 x 14 x 4
---	--	---



5

19  x 1	A  M7.5 x 32 x 1	D  M7.8 x 32 x 5
--	--	--

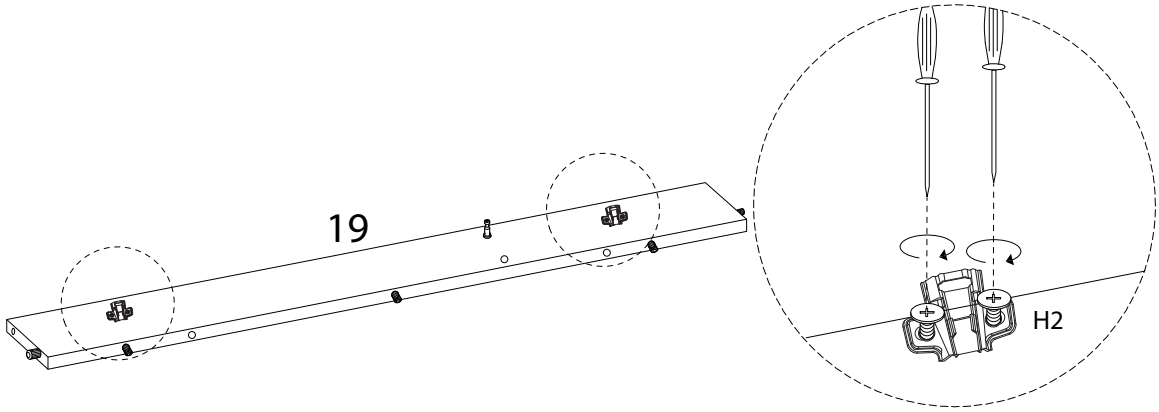


6

H2



x 2



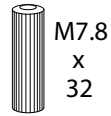
7

8

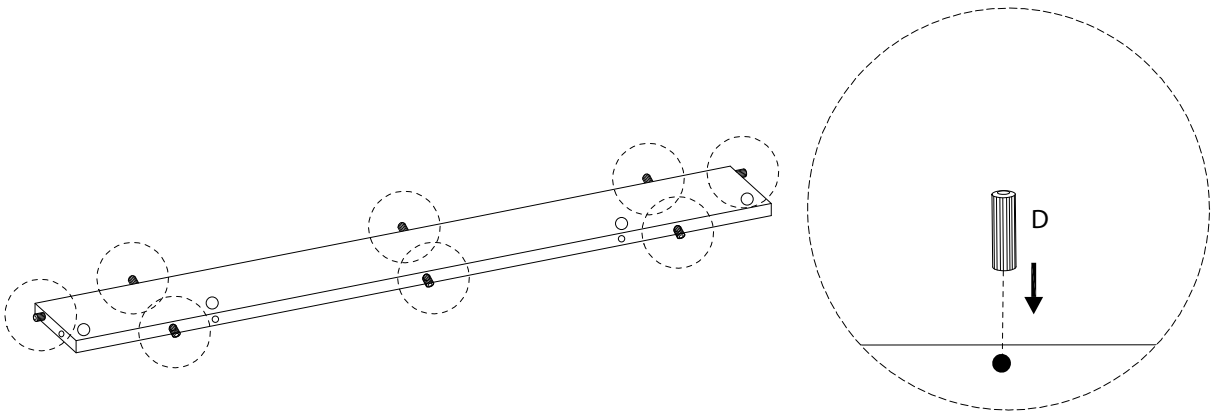


x 1

D

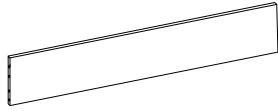


x 8



8

10



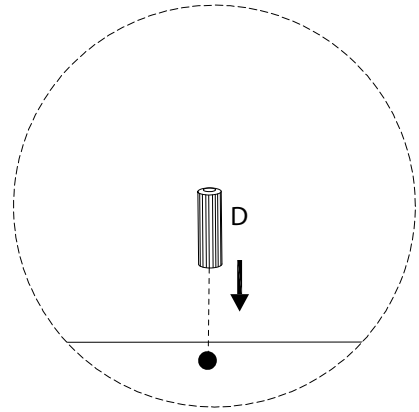
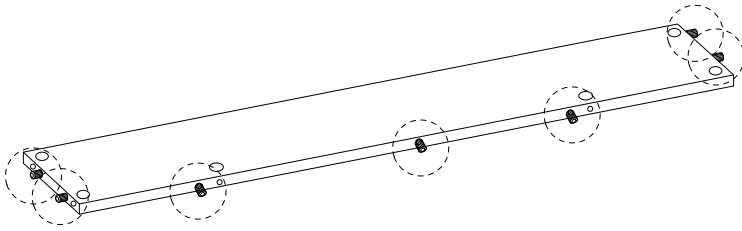
x 1

D



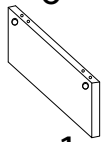
M7.8
x
32

x 7



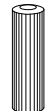
9

6



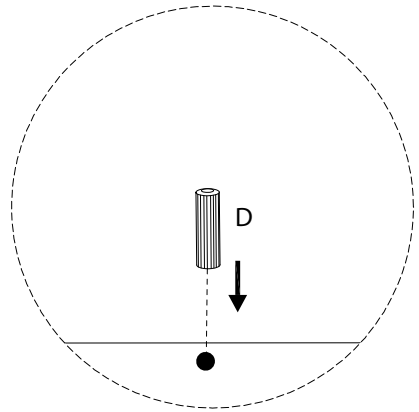
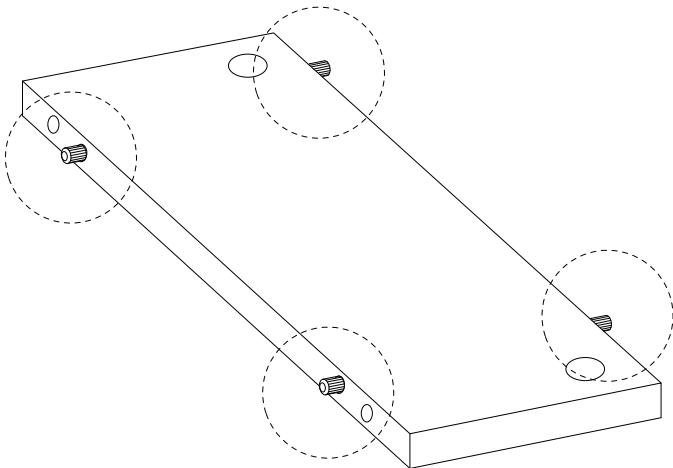
x 1

D



M7.8
x
32

x 4



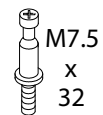
10

1

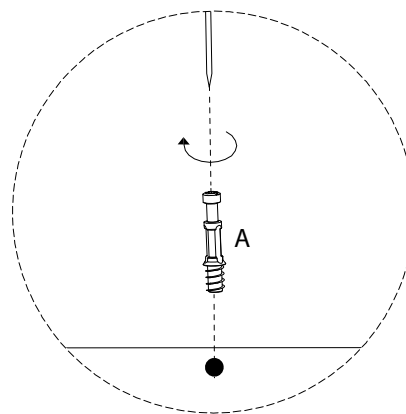
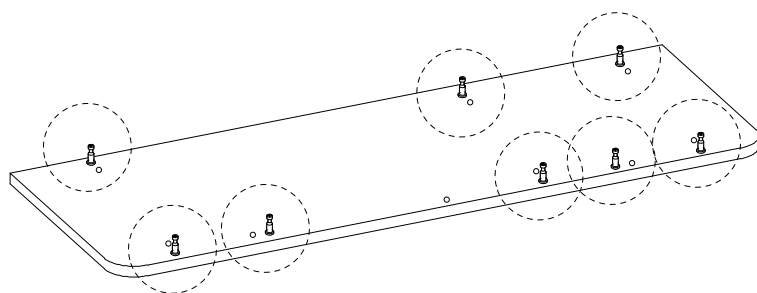


x 1

A

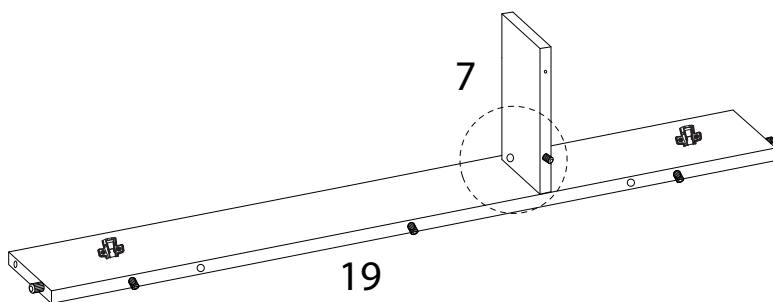


x 8

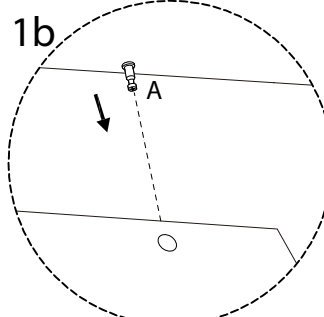
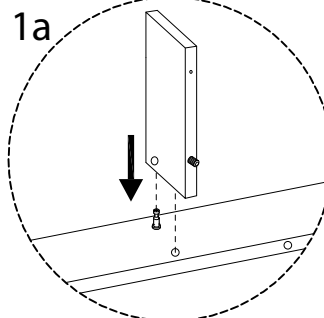


11

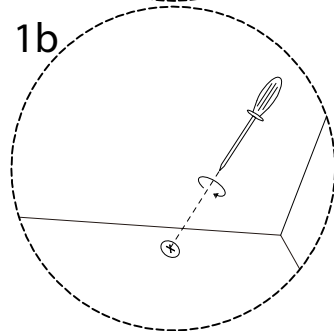
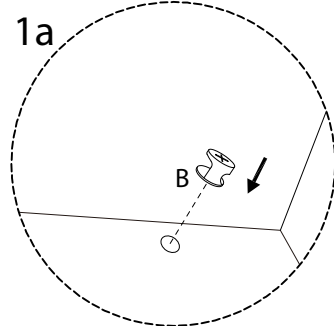
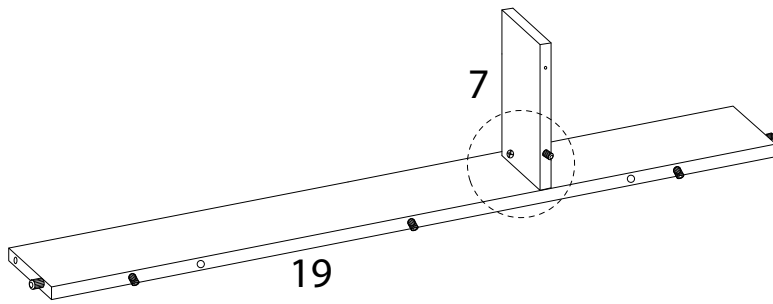
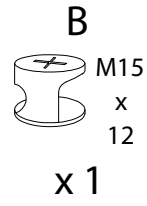
7



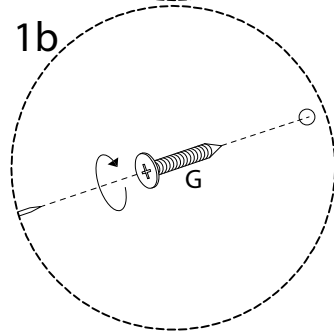
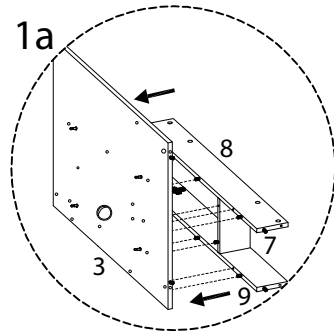
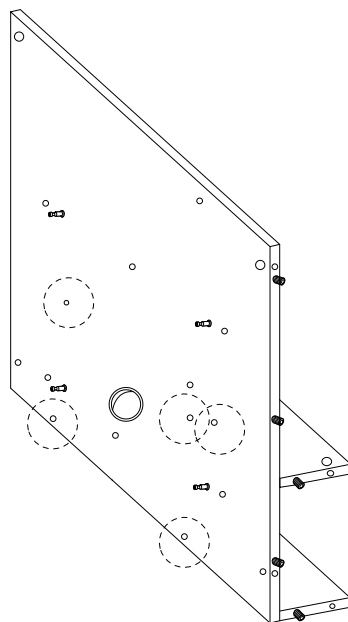
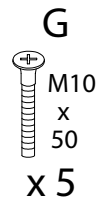
19



12

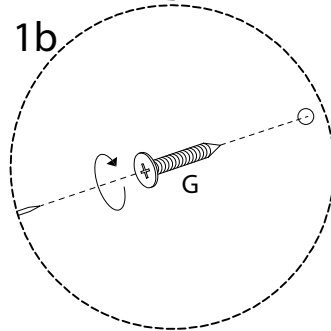
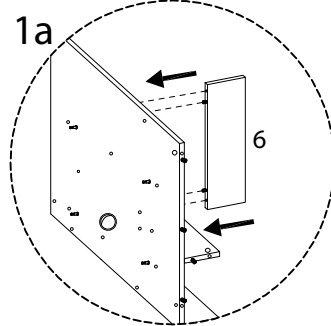
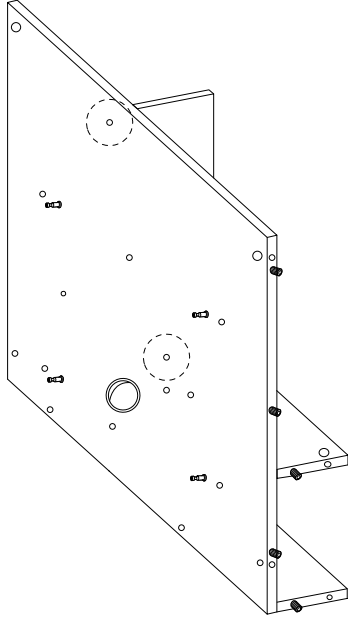


13



14

G
M10
x
50
x 2



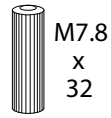
15

9

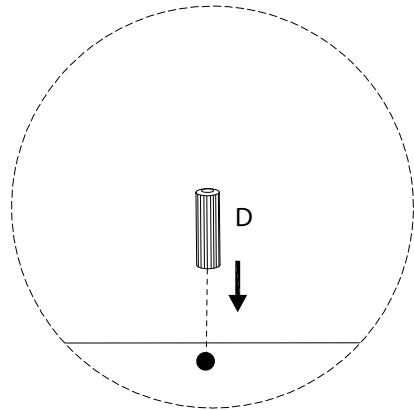
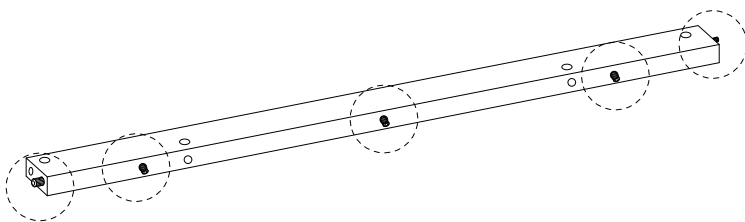


x 1

D

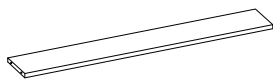


M7.8
x
32
x 5



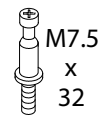
16

11



x 1

A

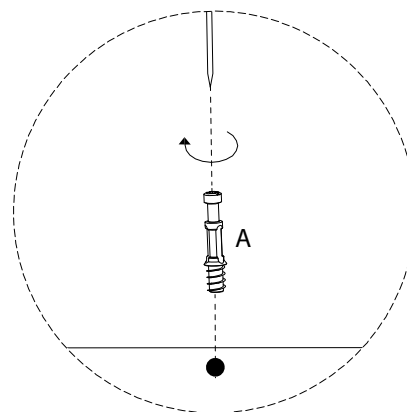
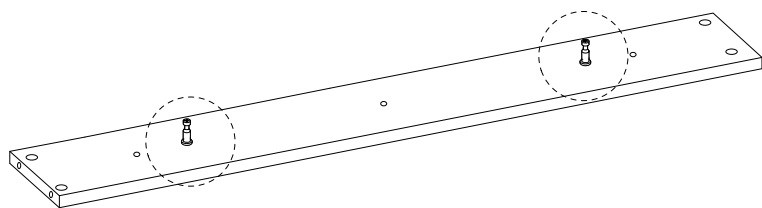


M7.5

x

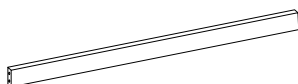
32

x 2



17

12



x 1

D

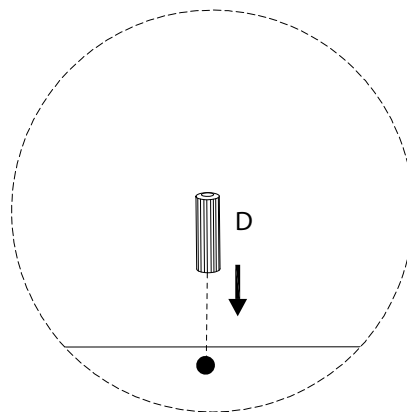
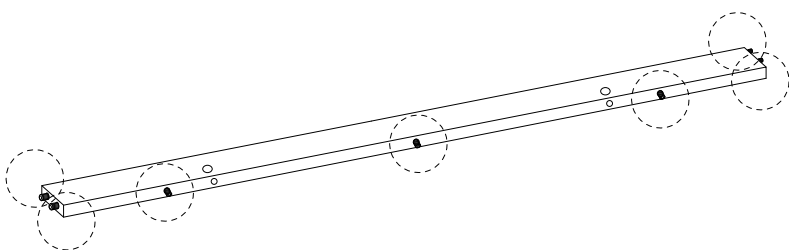


M7.8

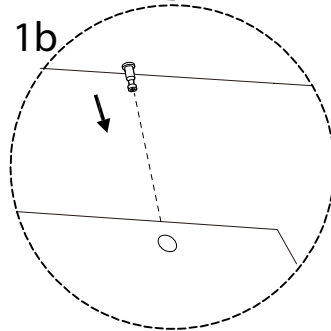
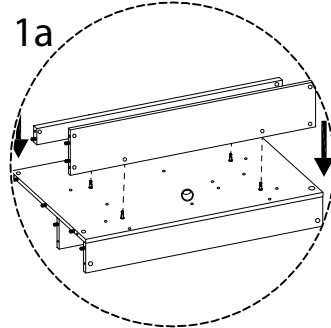
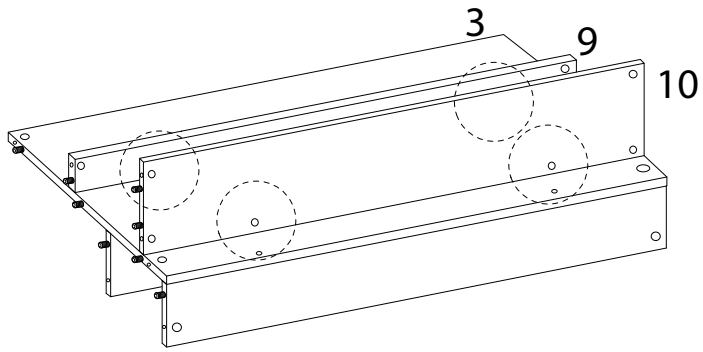
x

32

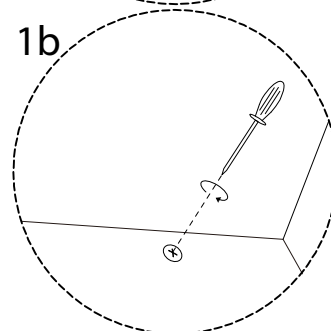
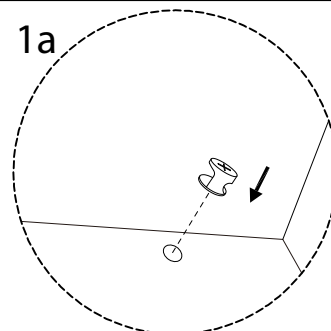
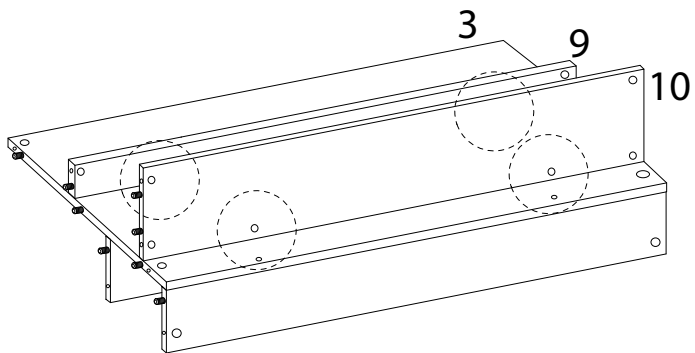
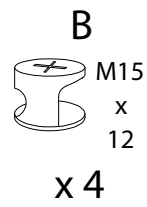
x 7



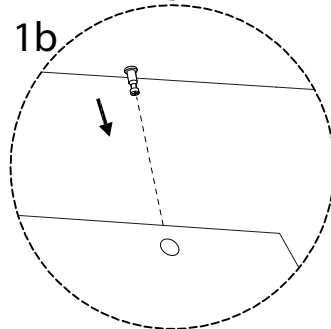
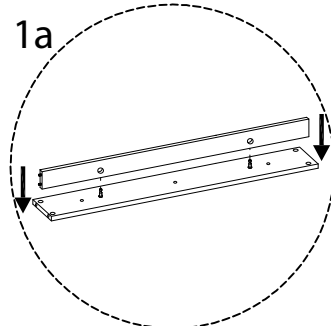
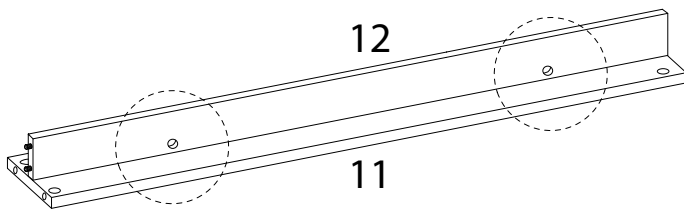
18



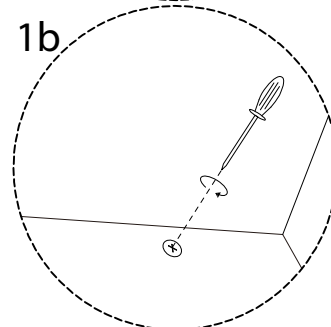
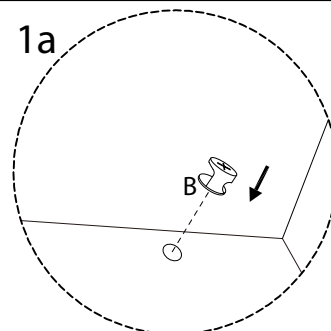
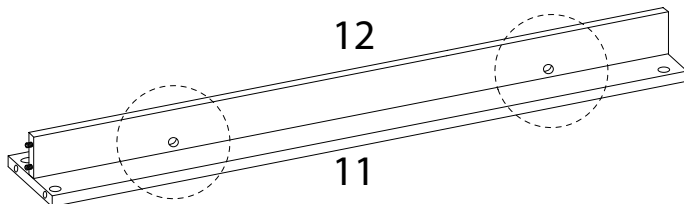
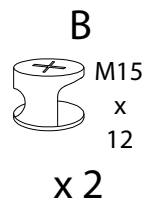
19



20



21



22

15



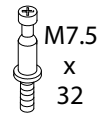
x 1

16



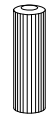
x 1

A

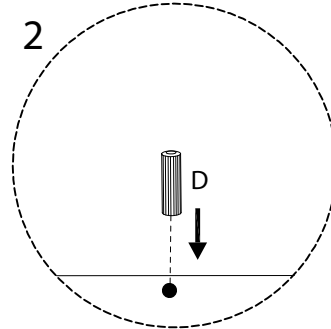
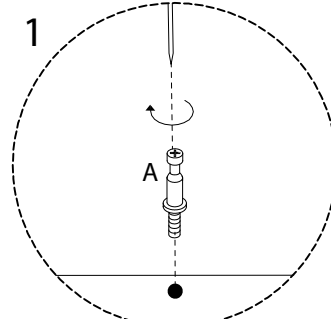
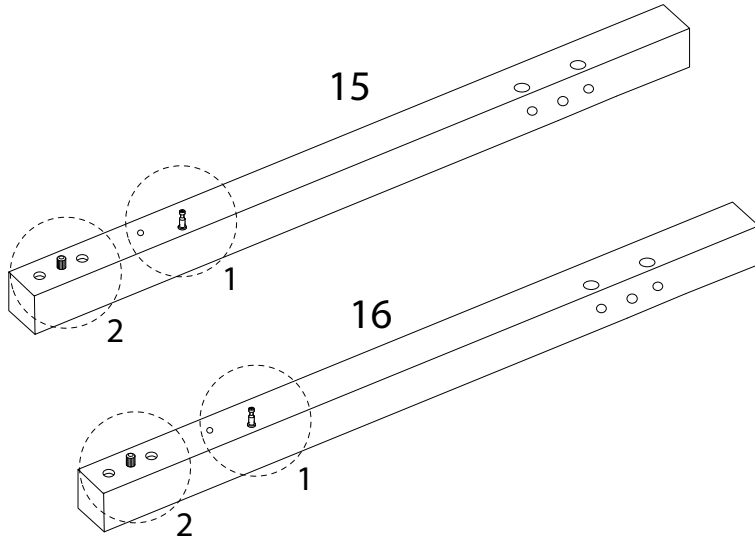


x 2

D



x 2



23

M

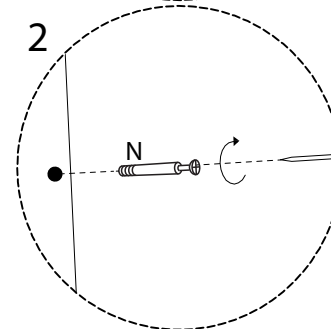
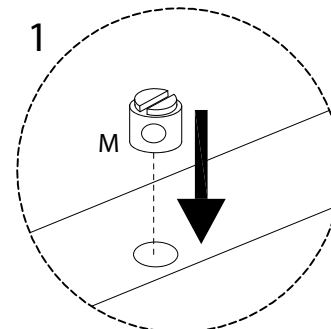
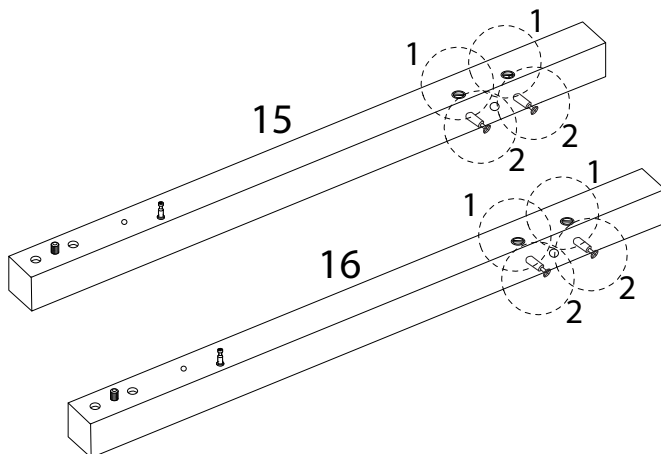


x 4

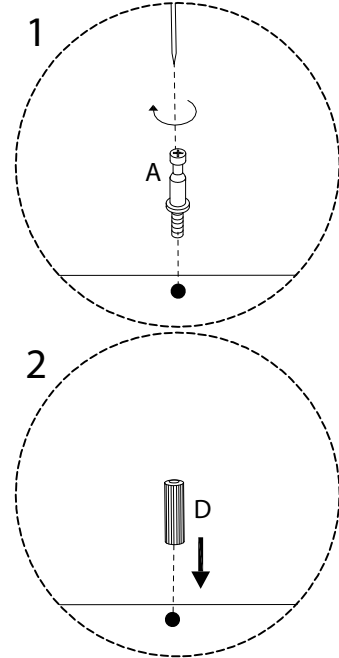
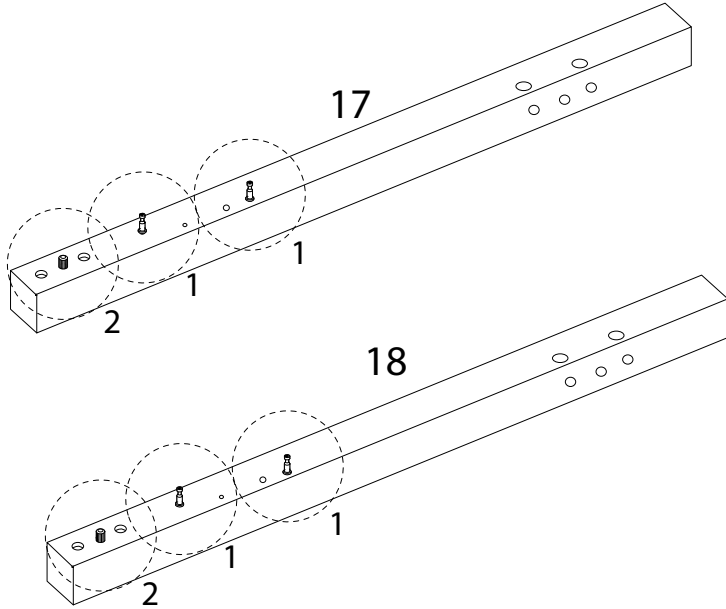
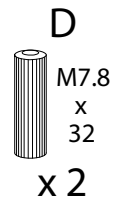
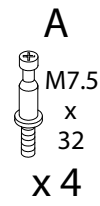
N



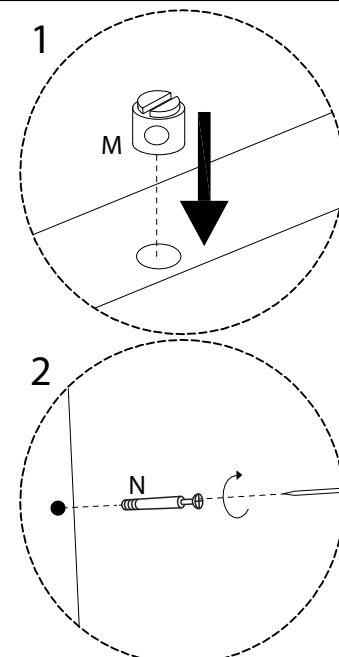
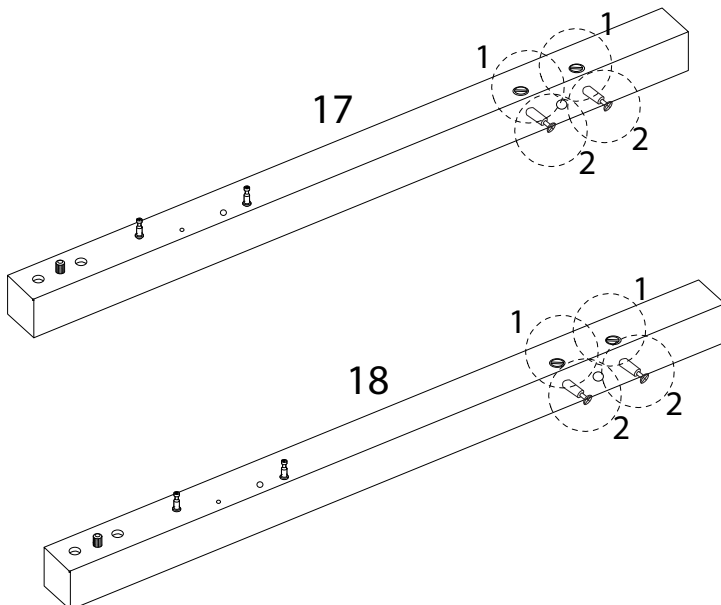
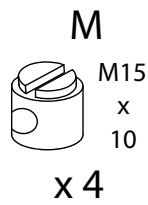
x 4



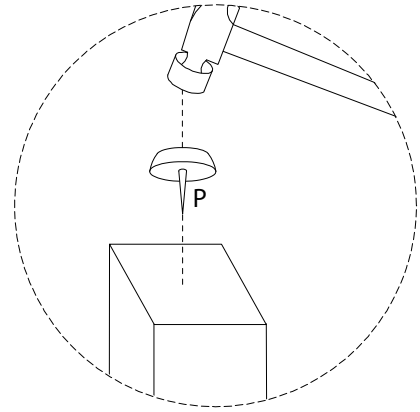
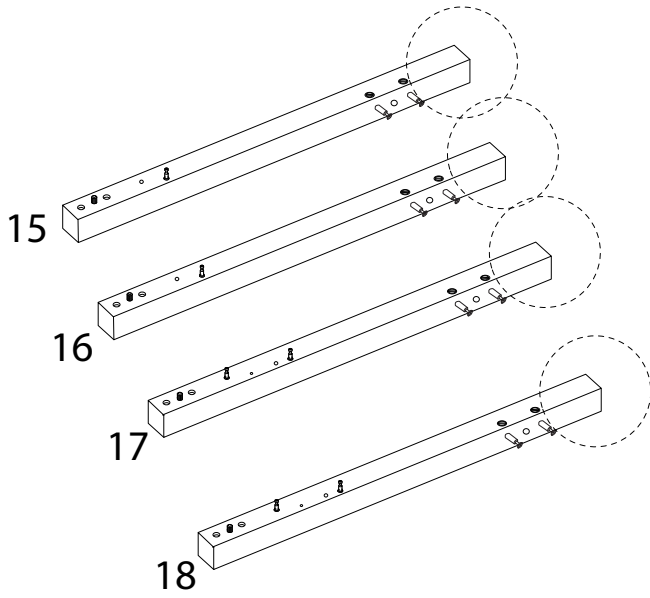
24



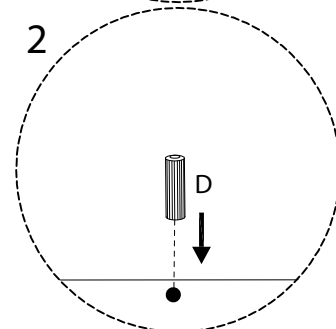
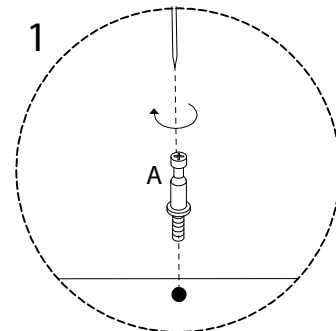
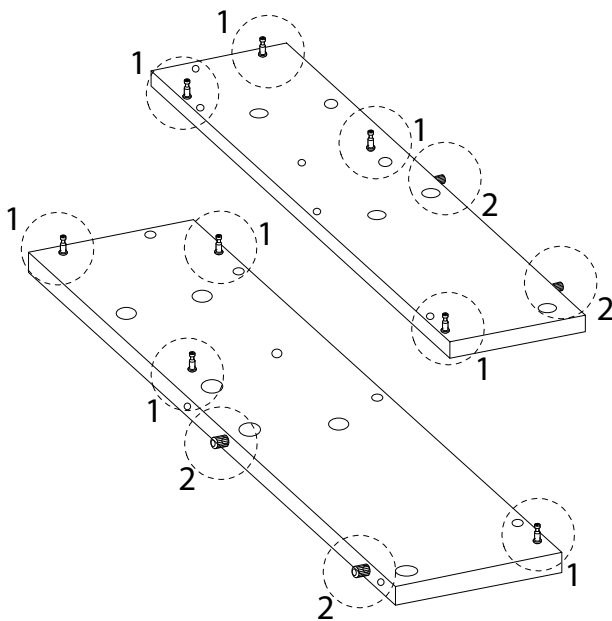
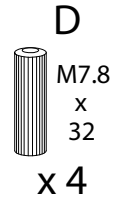
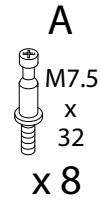
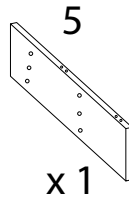
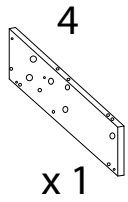
25



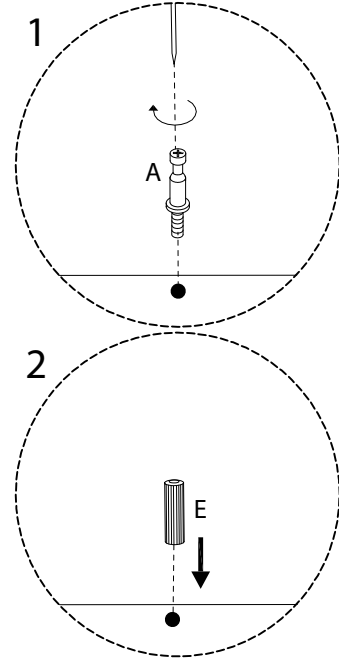
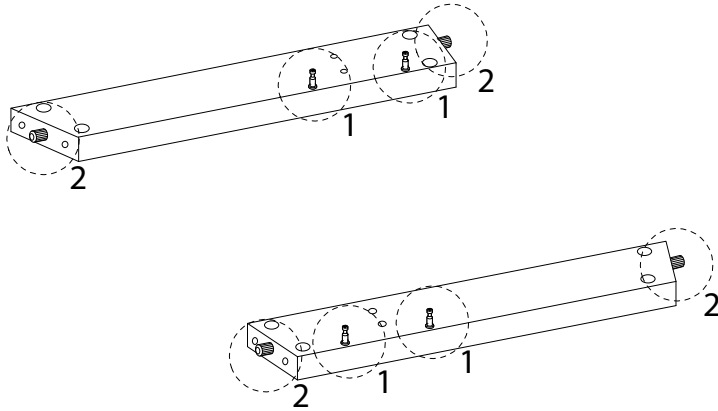
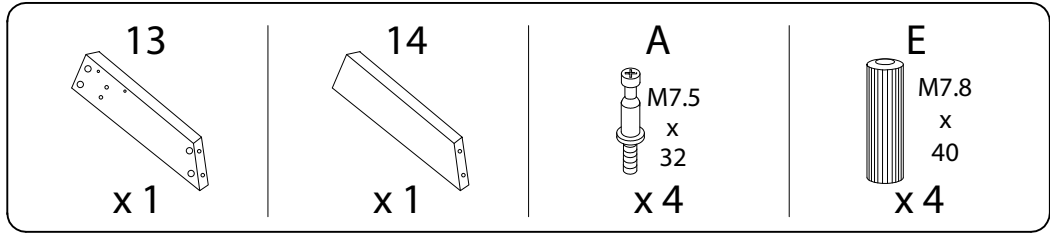
26



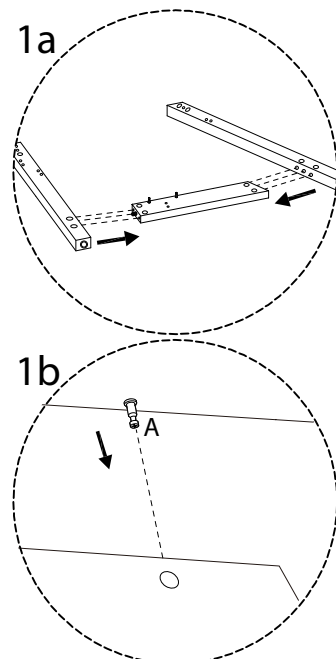
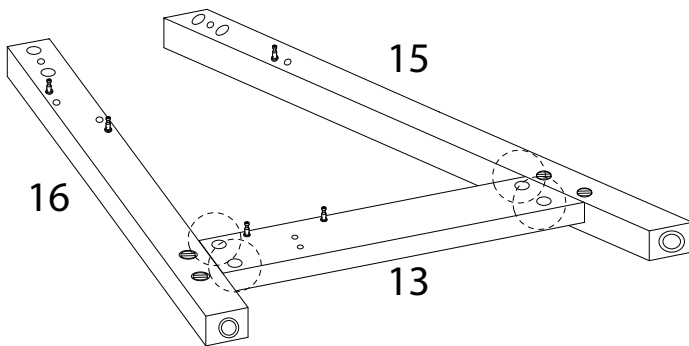
27



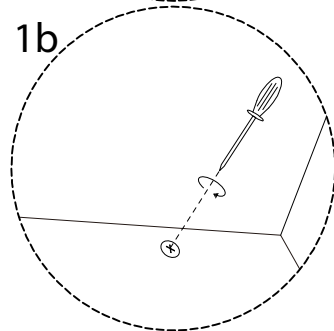
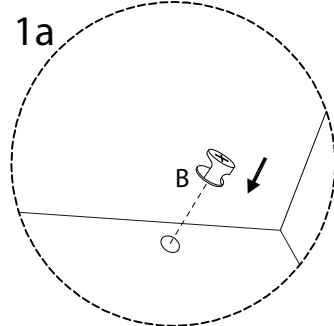
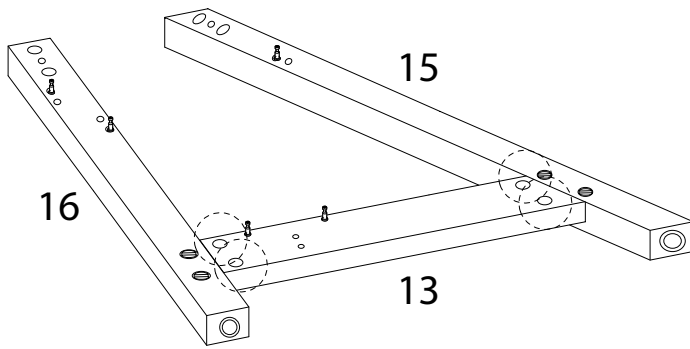
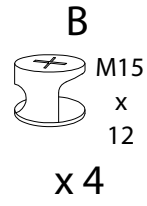
28



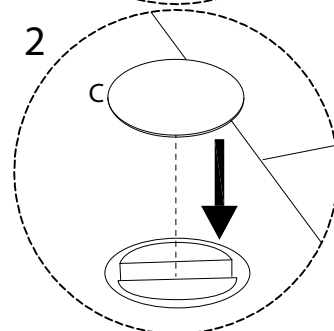
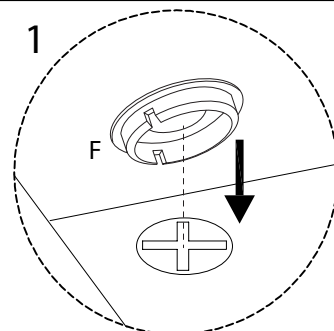
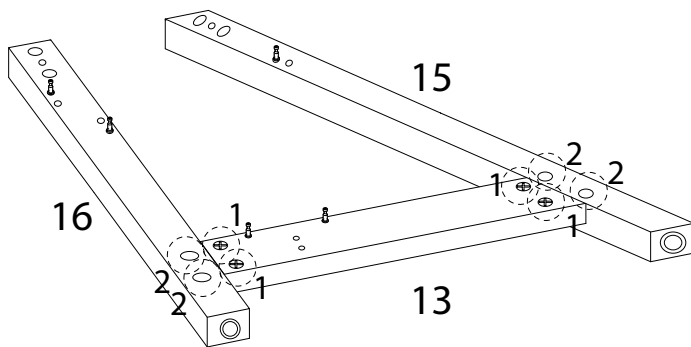
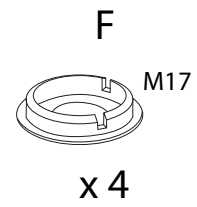
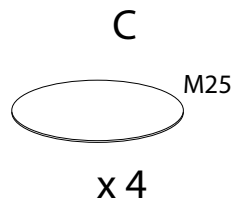
29



30

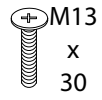


31

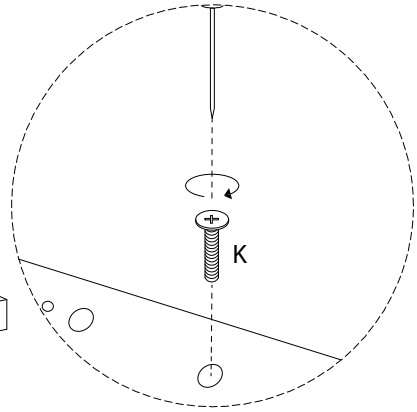
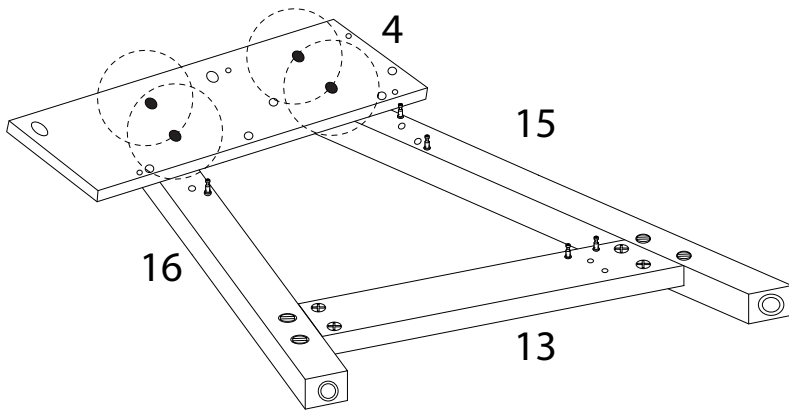


32

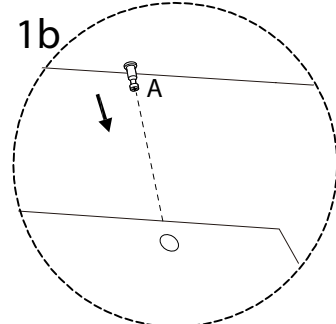
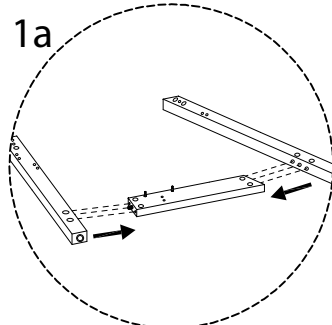
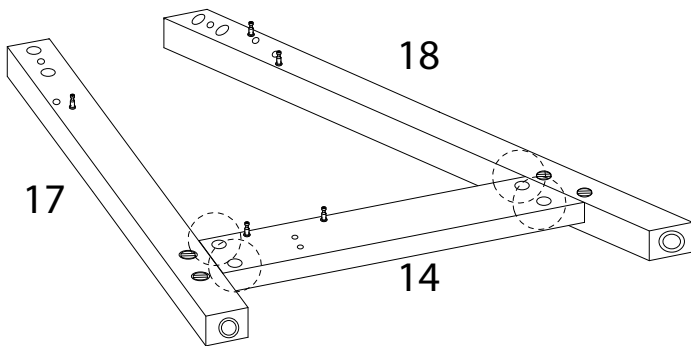
K



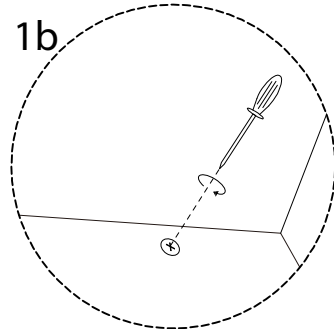
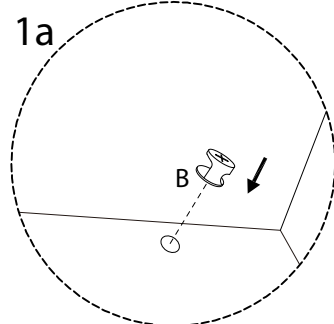
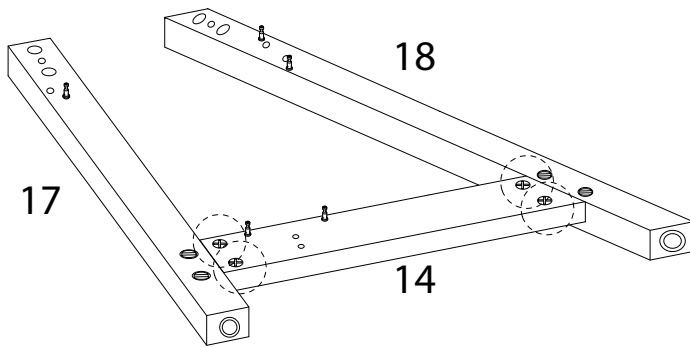
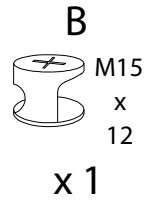
x 4



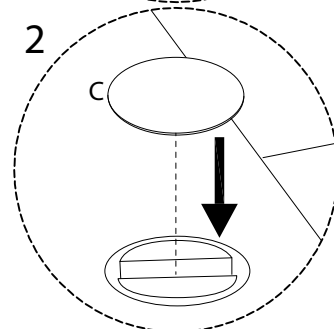
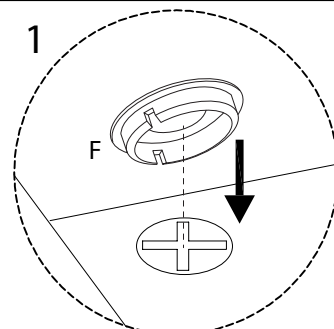
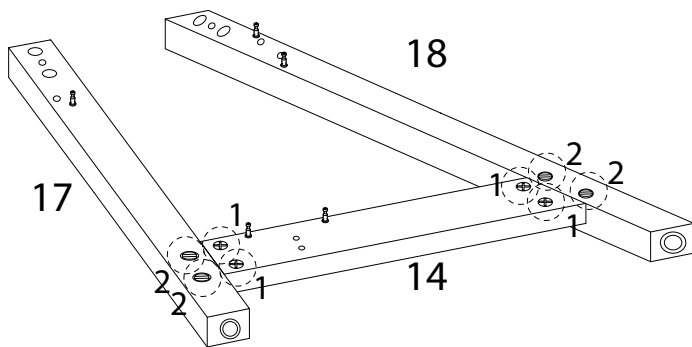
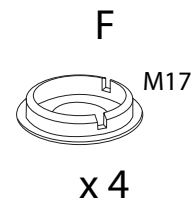
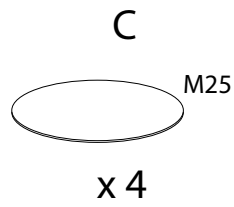
33



34

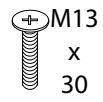


35

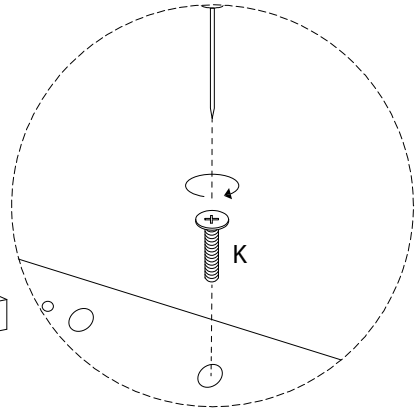
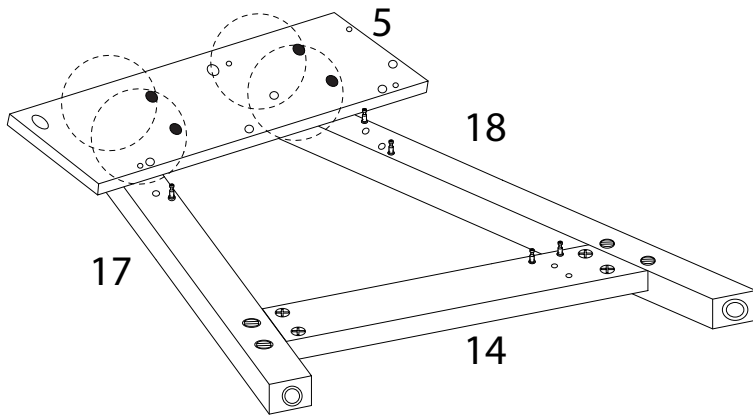


36

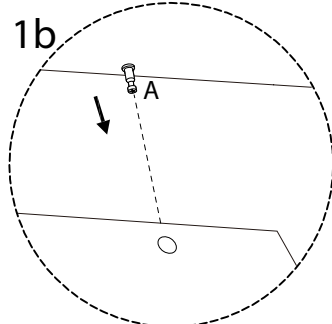
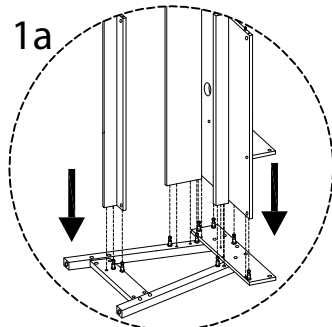
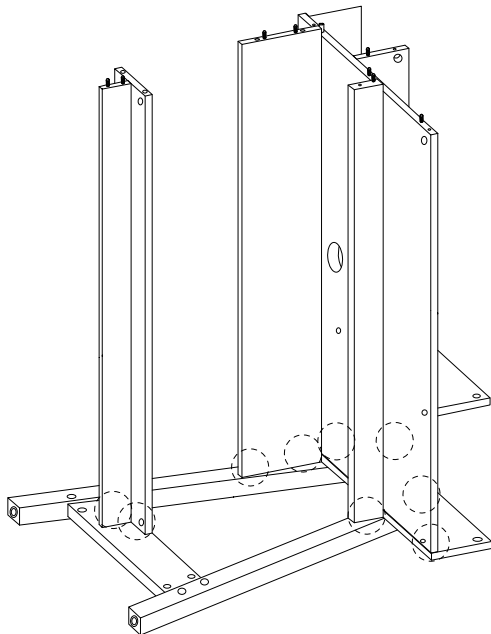
K



x 4

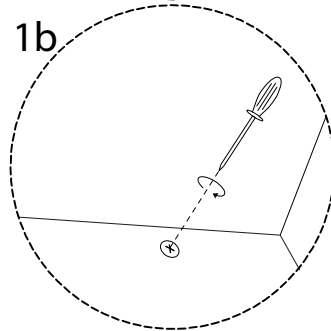
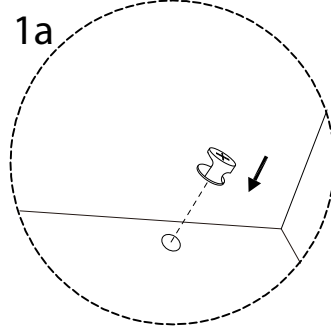
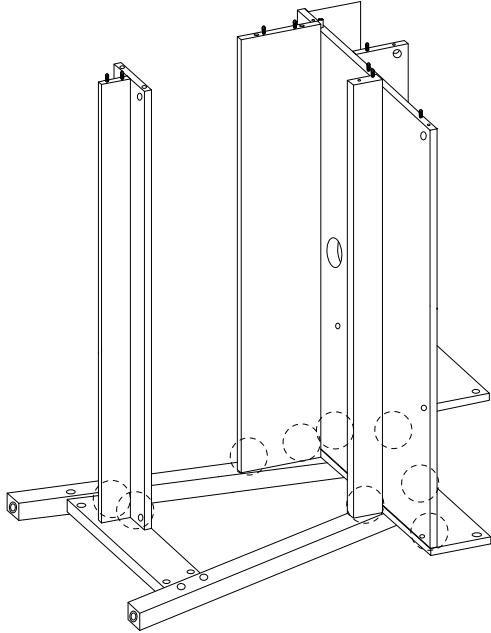


37

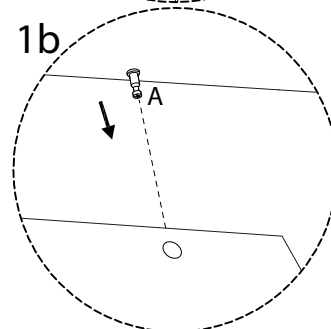
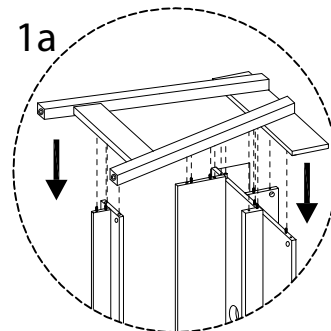
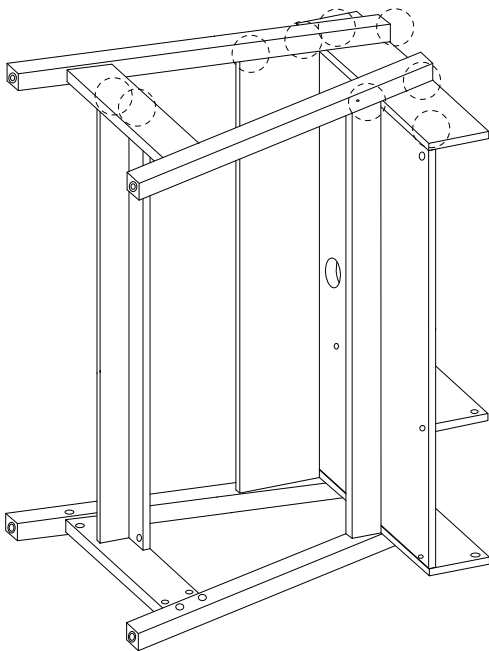


38

B
M15
x
12
x 9

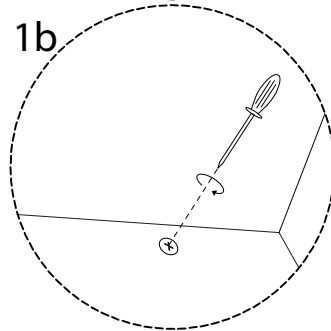
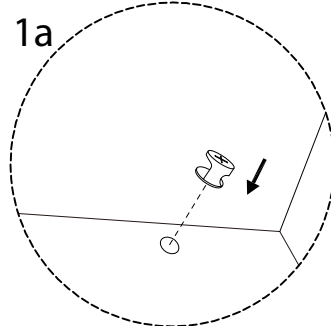
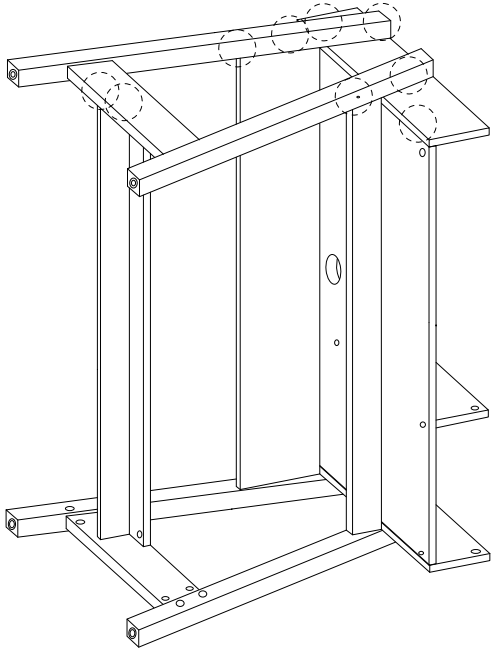


39

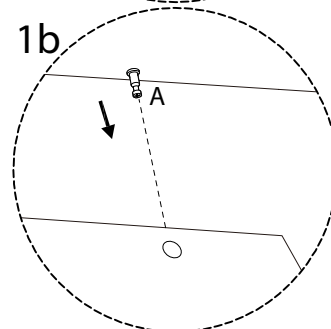
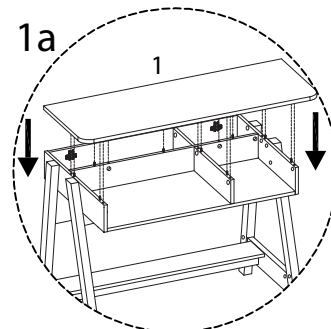
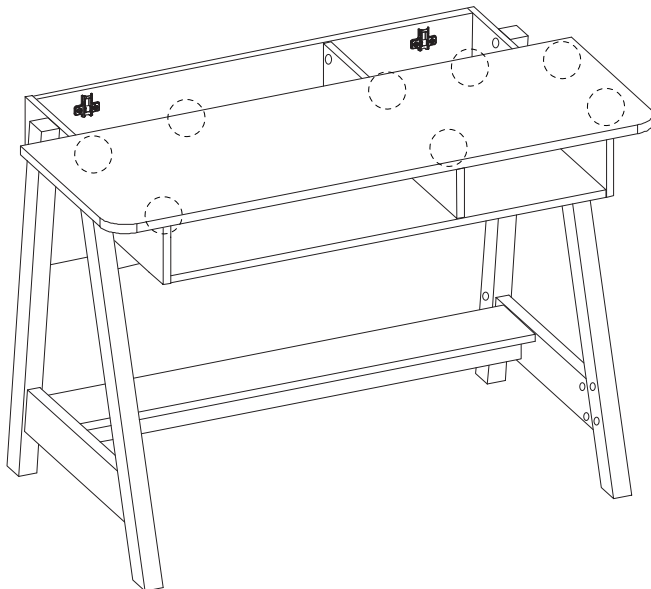


40

B
M15
x
12
x 9

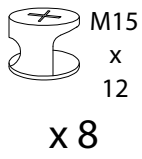


41

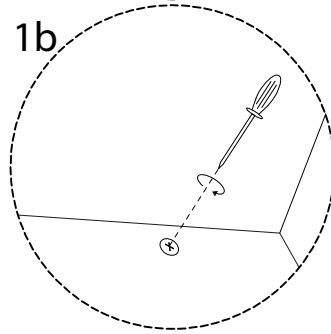
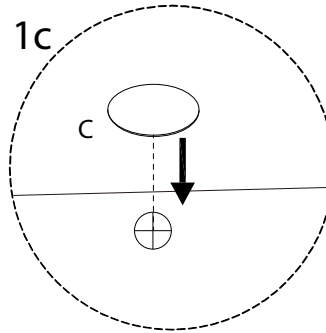
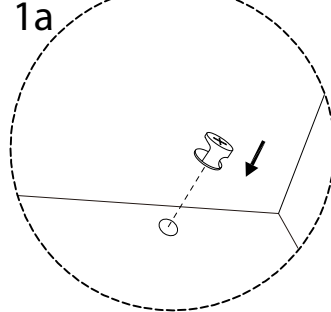
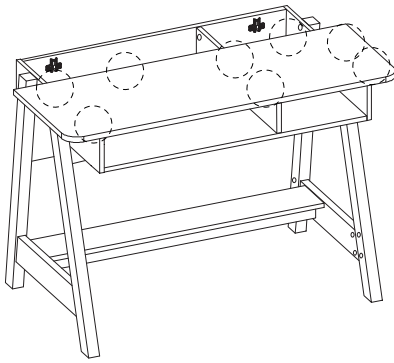
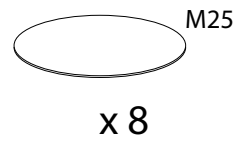


42

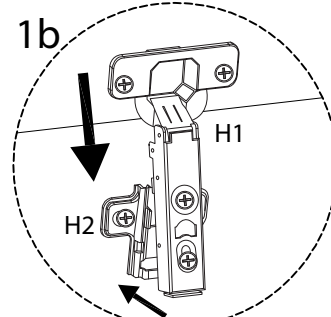
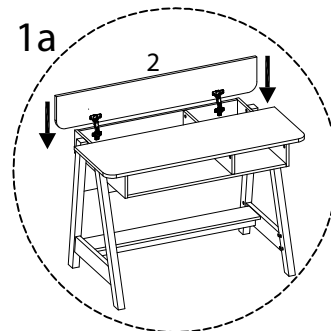
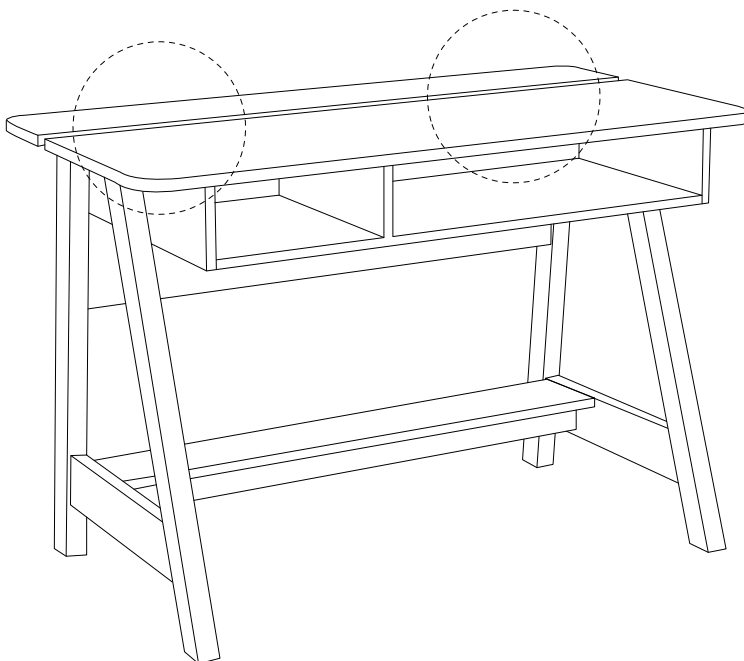
B



C



43



!

