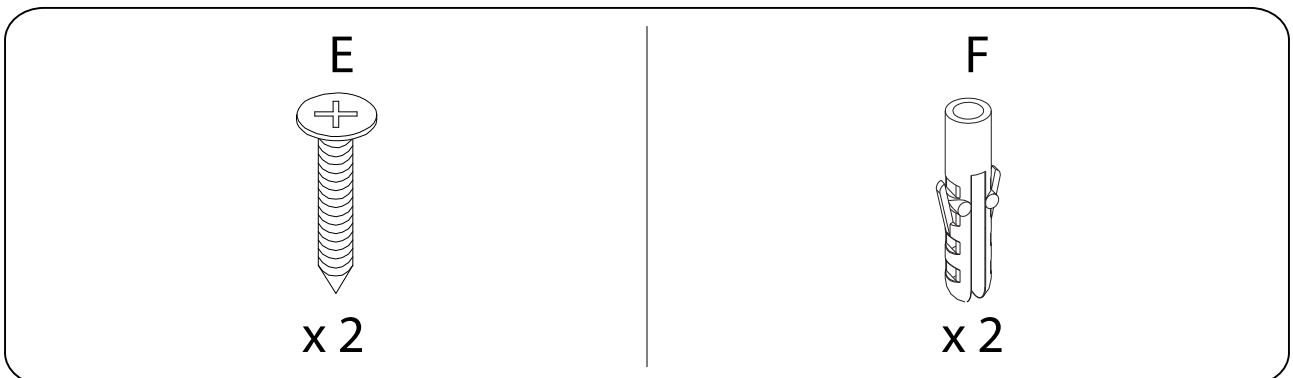
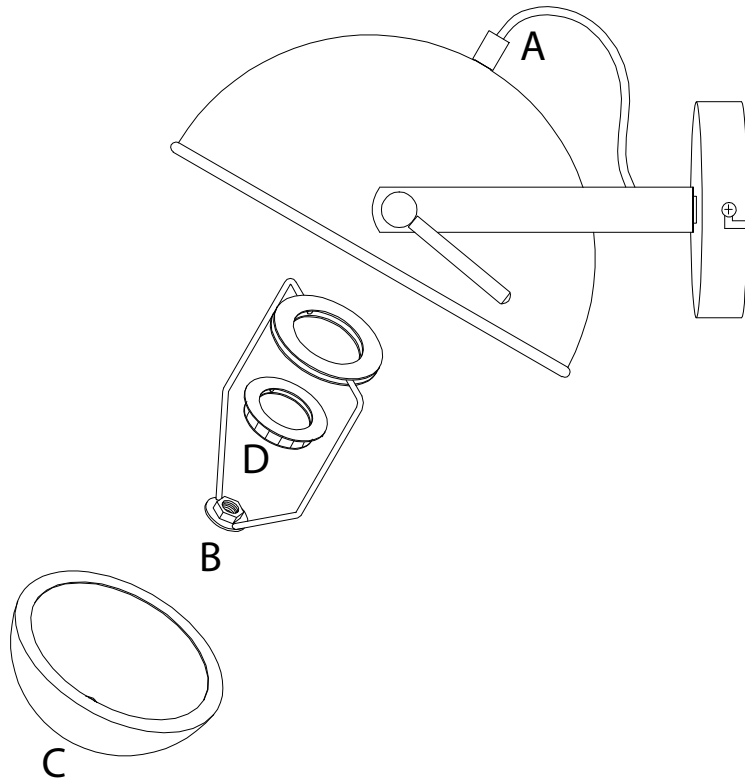
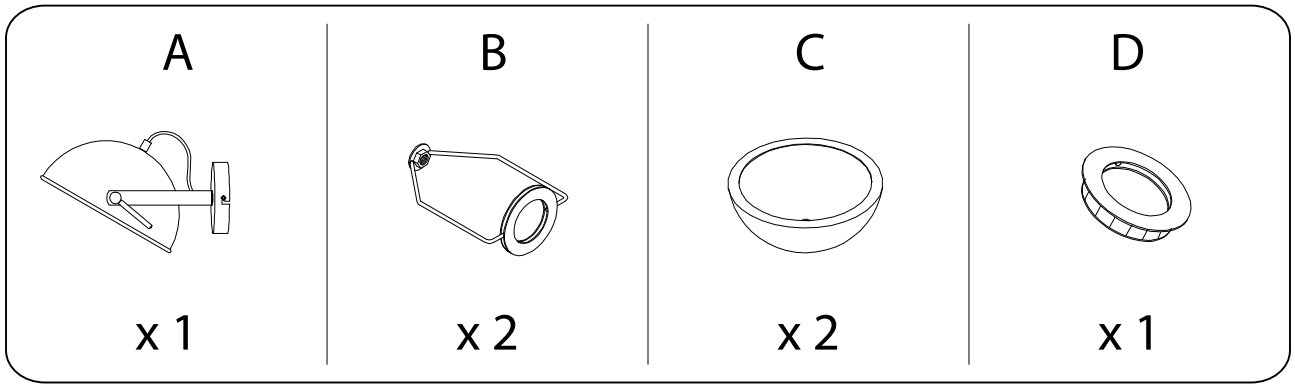
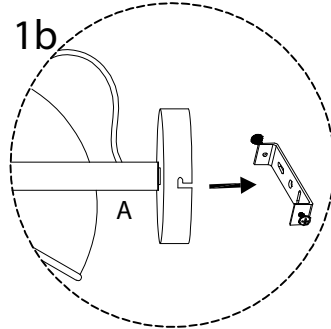
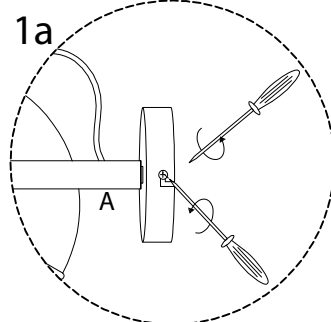
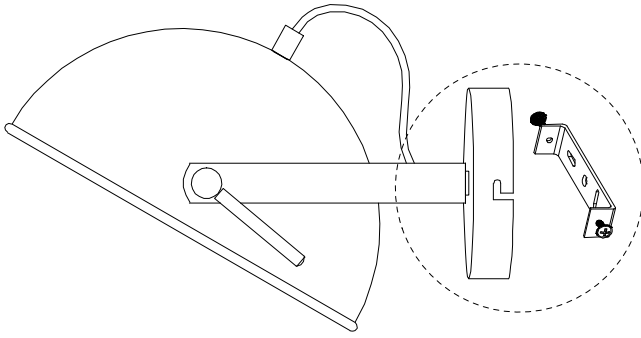
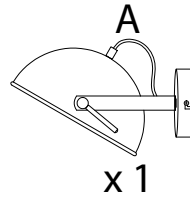


Assembly instructions for the lamp base:

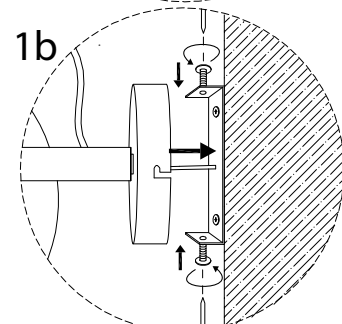
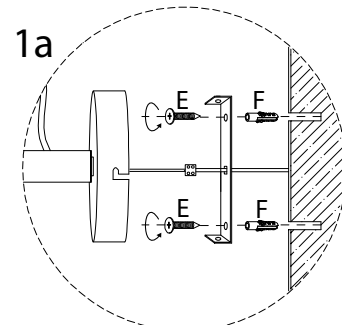
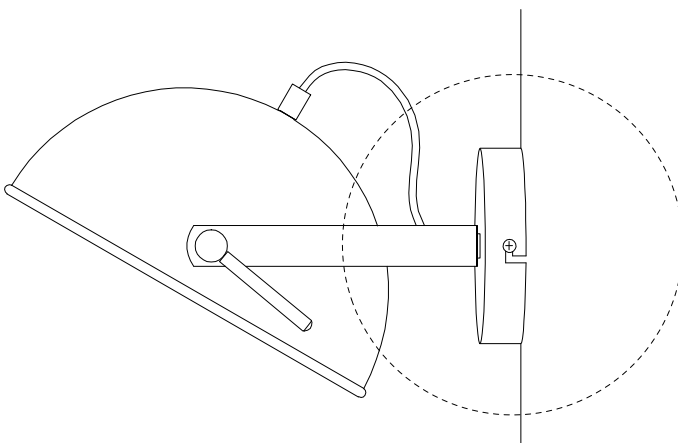
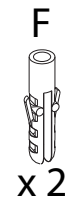
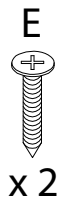
- Tools:** A screwdriver and a power drill are shown in circular icons. A warning triangle with an exclamation mark is positioned to the right.
- Time:** A clock icon indicates a 15-minute assembly time.
- Personnel:** A person icon indicates that 1 person is required for assembly.
- Warning:** A second warning triangle with an exclamation mark is positioned above the person icon.



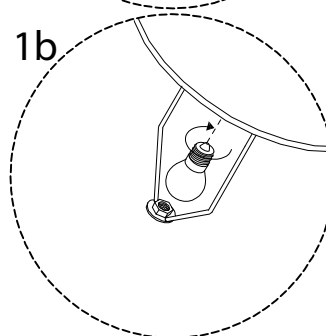
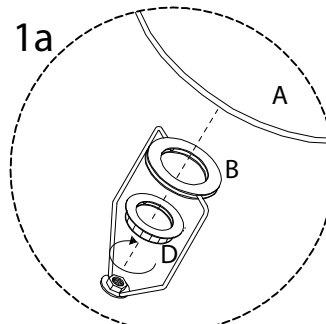
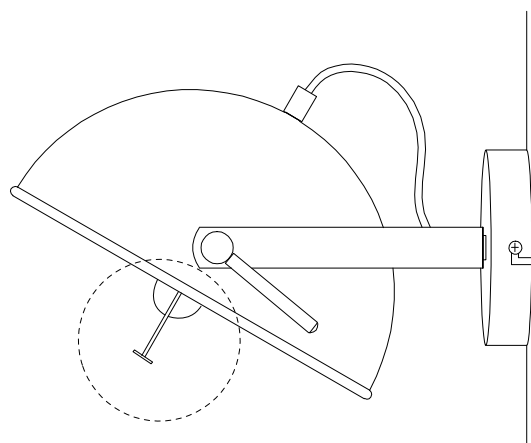
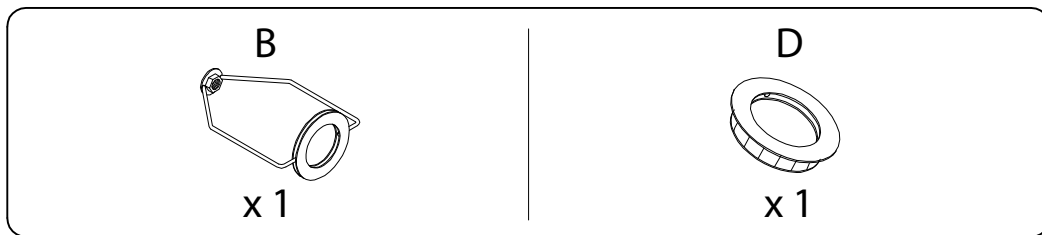
1



2



3



4

