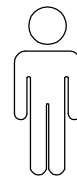
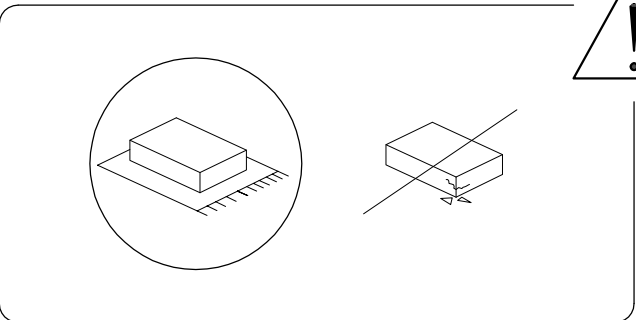
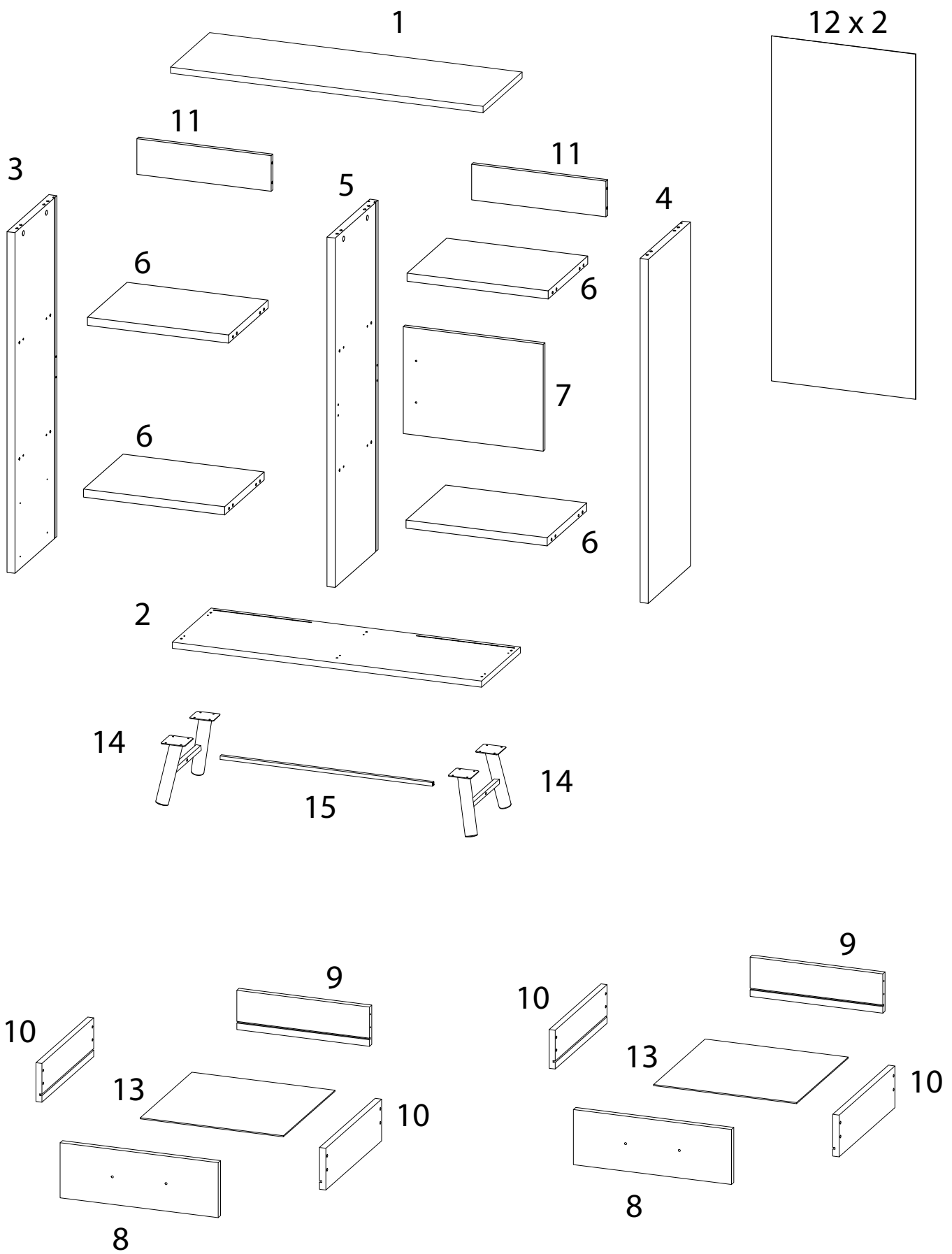
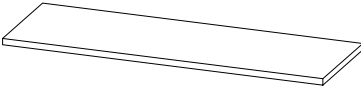
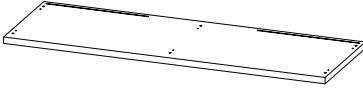



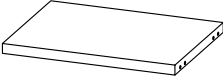
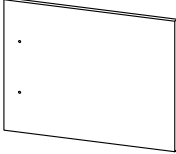
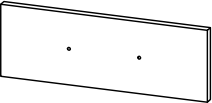

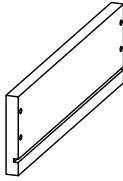
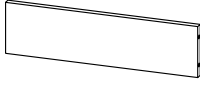


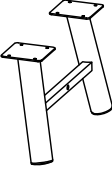



70'

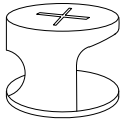


2



<p>1</p>  <p>x 1</p>	<p>2</p>  <p>x 1</p>	<p>3</p>  <p>x 1</p>	
<p>4</p>  <p>x 1</p>	<p>5</p>  <p>x 1</p>	<p>6</p>  <p>x 4</p>	<p>7</p>  <p>x 1</p>
<p>8</p>  <p>x 2</p>	<p>9</p>  <p>x 2</p>	<p>10</p>  <p>x 4</p>	<p>11</p>  <p>x 2</p>
<p>12</p>  <p>x 2</p>	<p>13</p>  <p>x 2</p>	<p>14</p>  <p>x 2</p>	<p>15</p>  <p>x 1</p>

A1



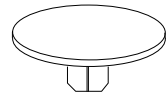
x 30

A2



x 30

A3



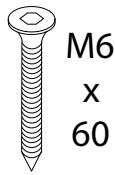
x 30

B



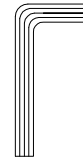
x 28

C



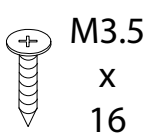
x 6

D



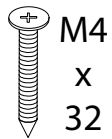
x 1

E



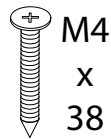
x 48

F



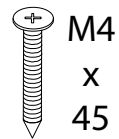
x 2

G



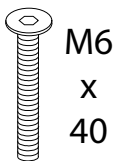
x 16

H



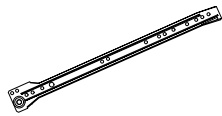
x 4

I



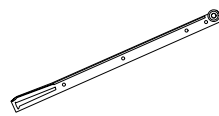
x 2

J1



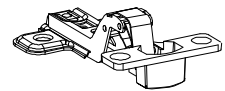
x 4

J2



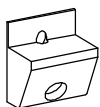
x 4

K



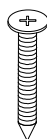
x 2

L1



x 8

L2



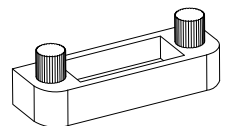
x 8

M



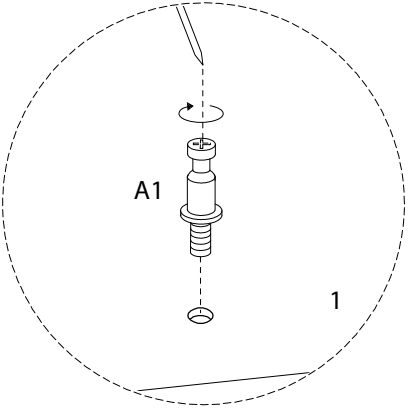
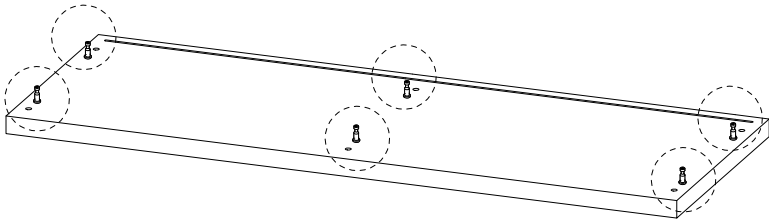
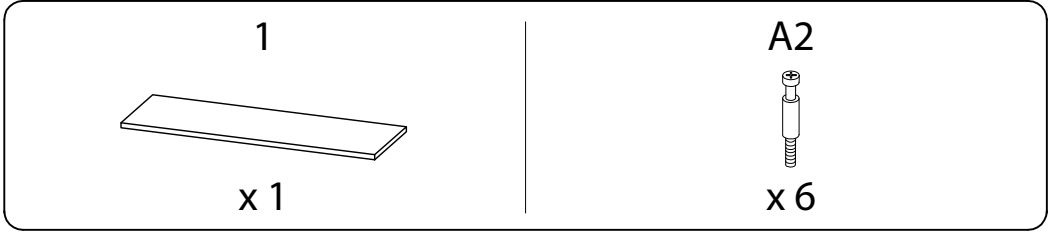
x 3

N

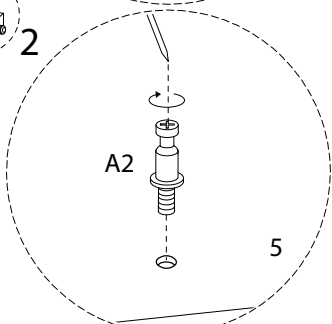
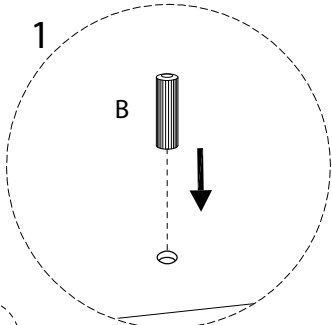
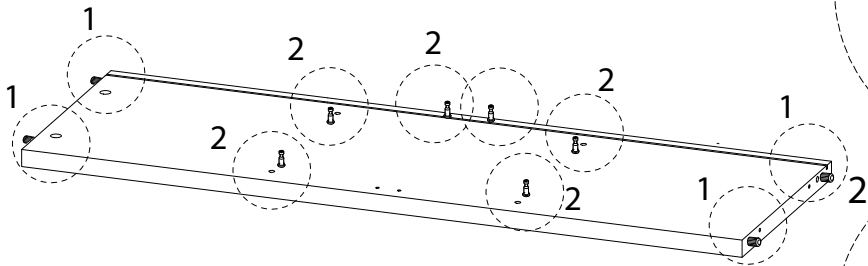
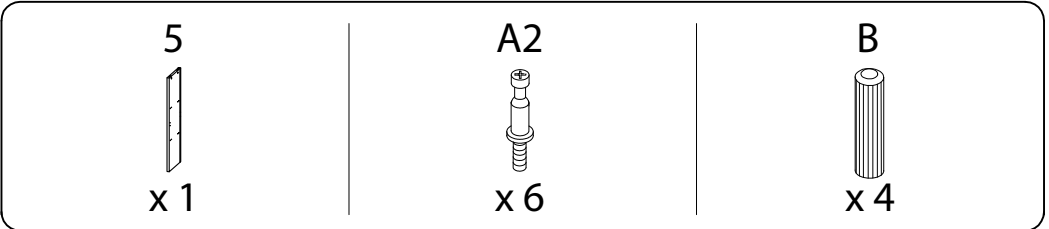


x 1

1

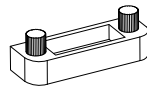


2

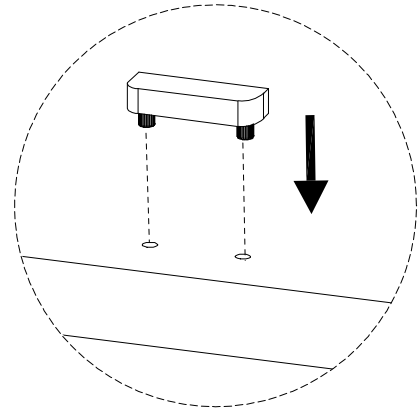
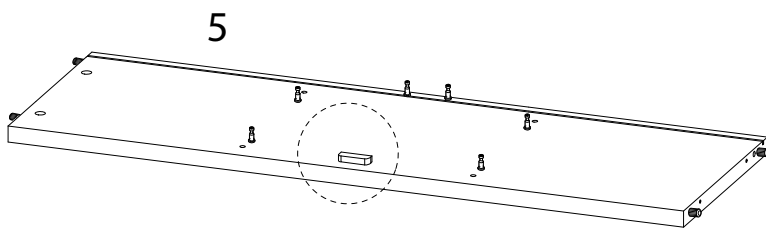


3

N



x 1

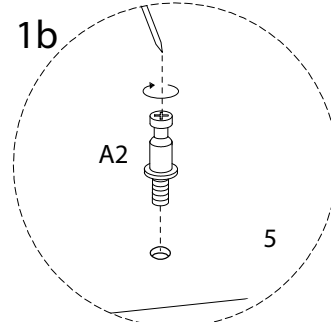
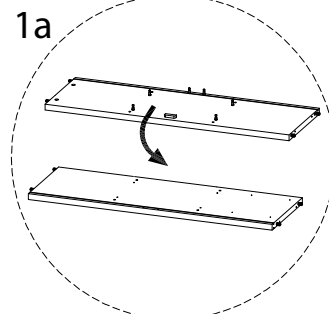
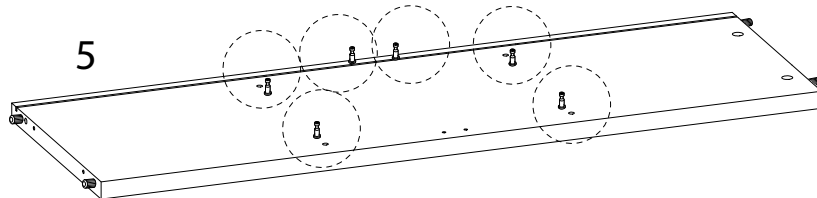


4

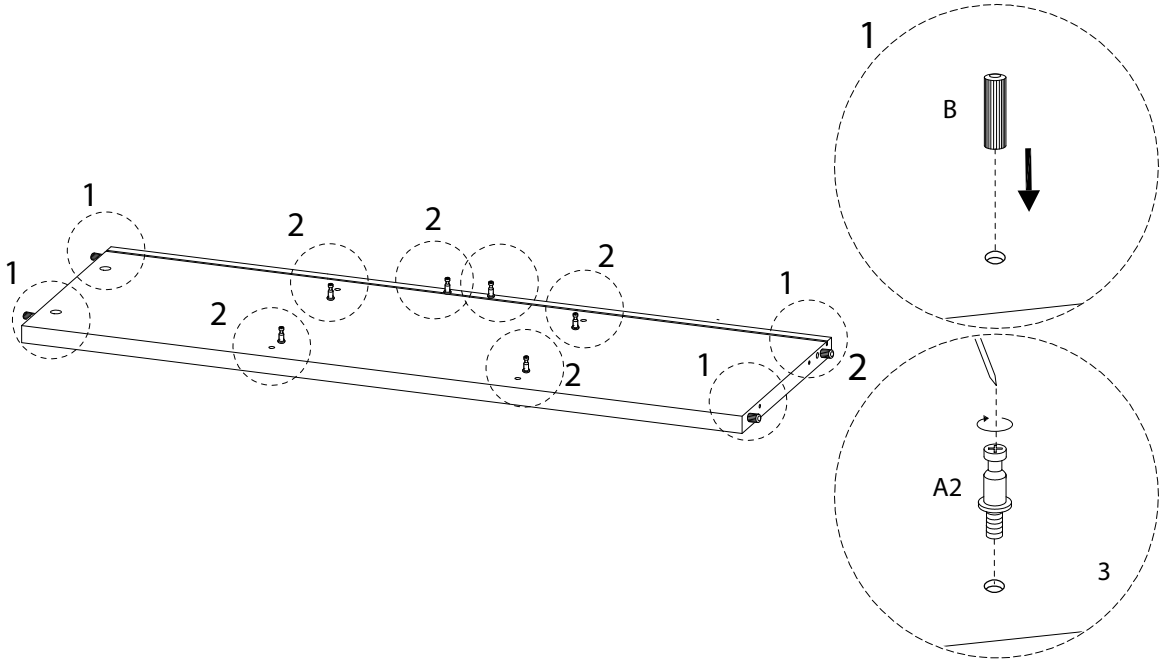
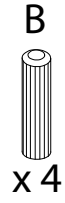
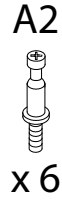
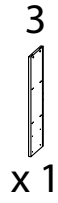
A2



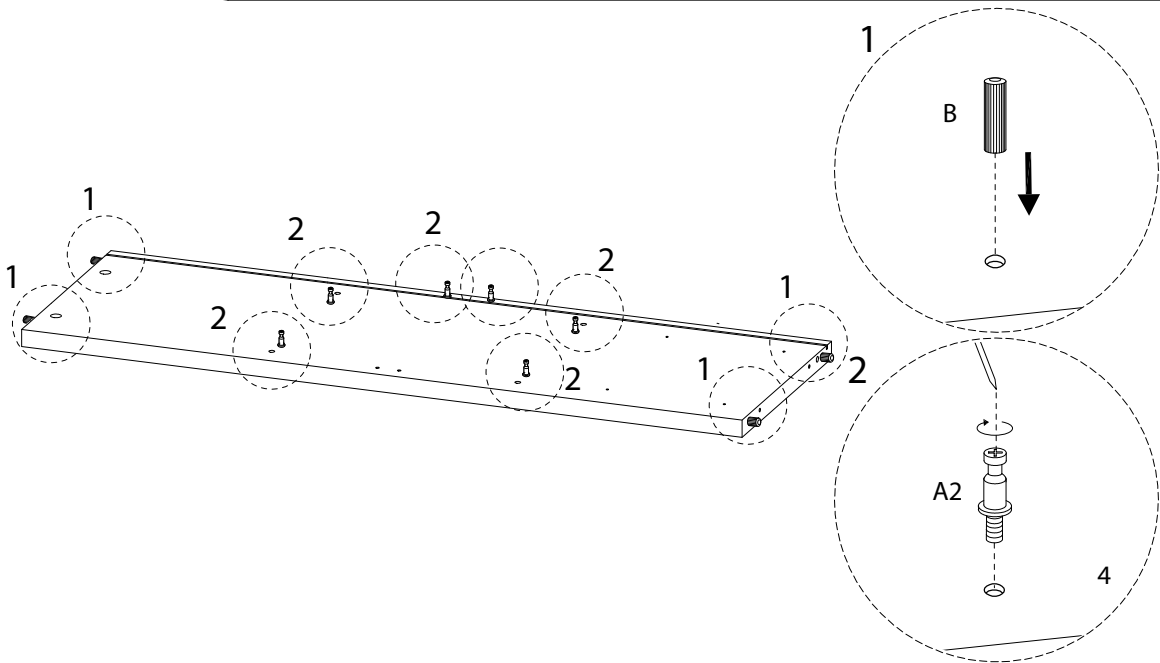
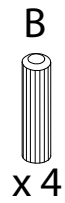
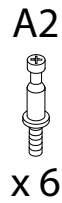
x 6



5

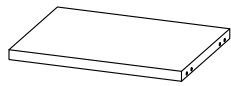


6



7 x 4

6

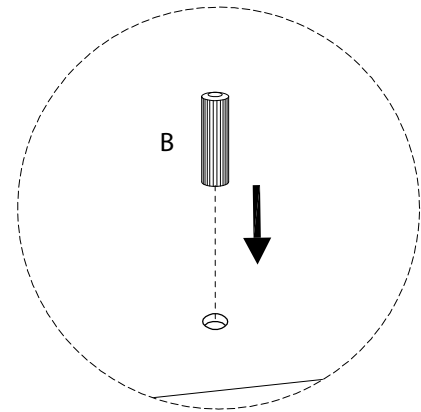
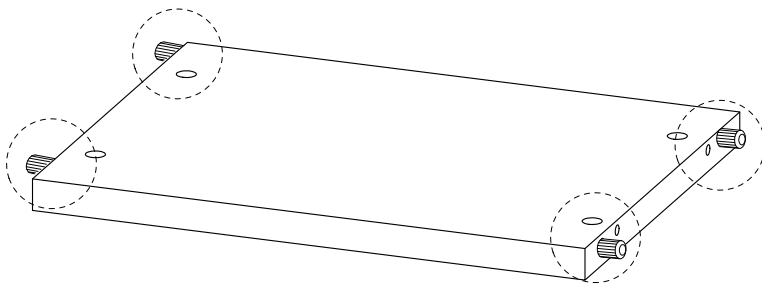


x 1

B

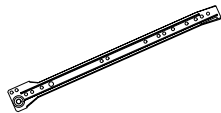


x 4



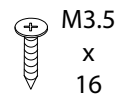
8

J1



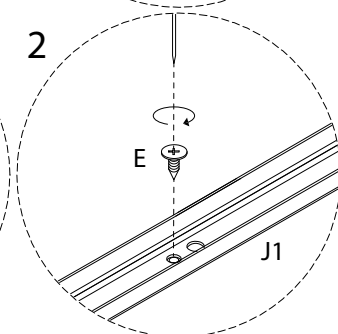
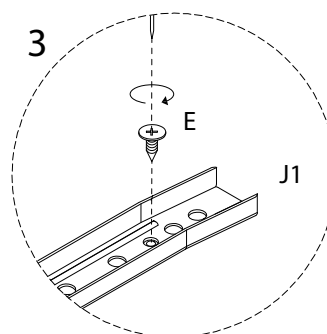
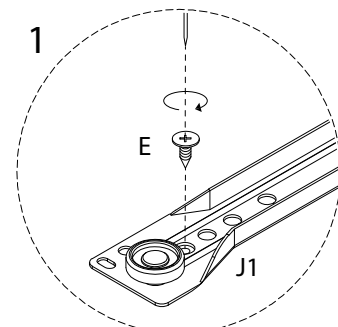
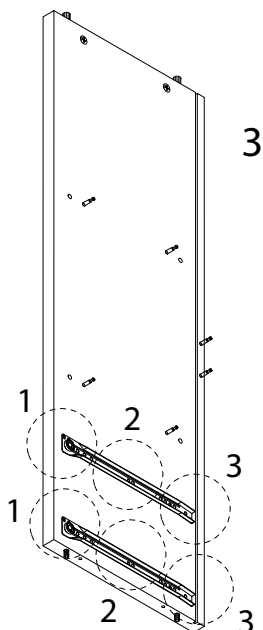
x 2

E



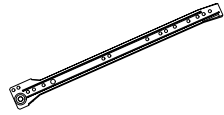
M3.5
x
16

x 6



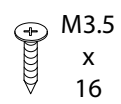
9

J1

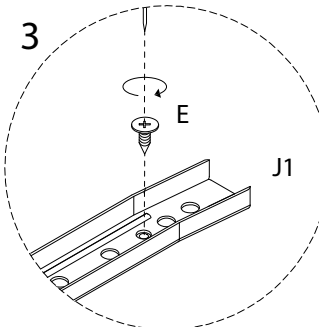
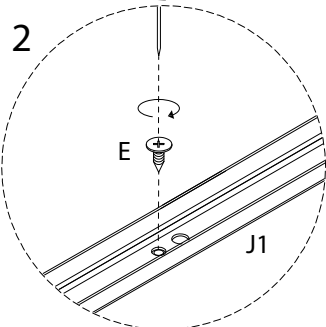
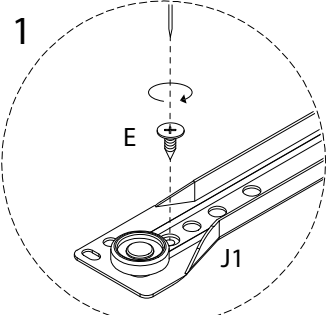
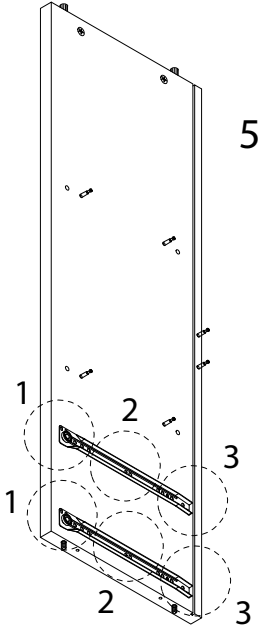


x 2

E

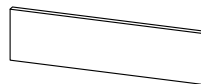


x 6

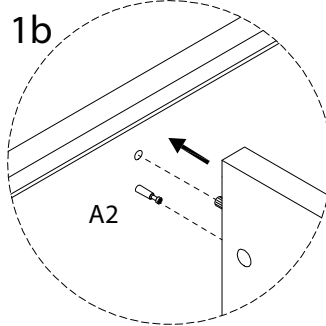
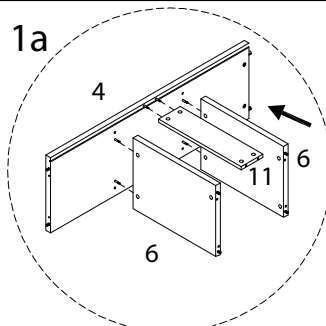
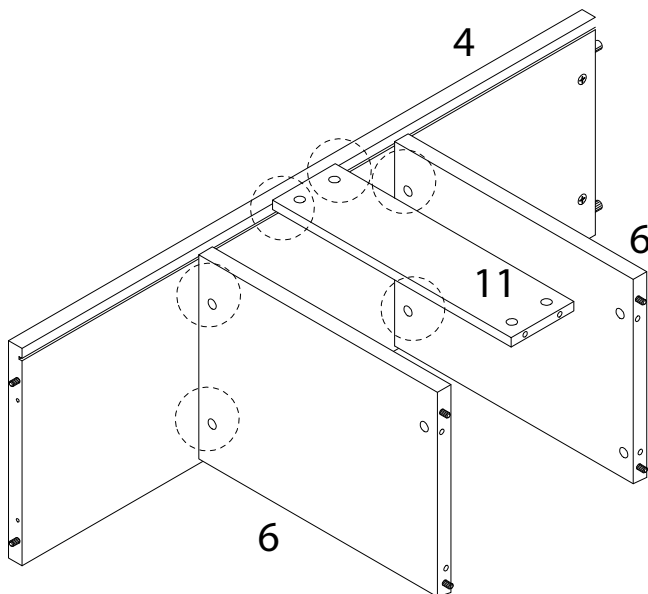


10

11



x 1



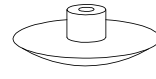
11

A1

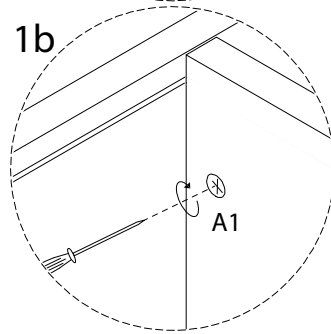
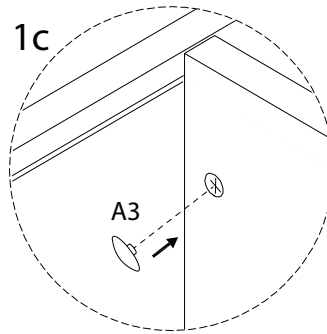
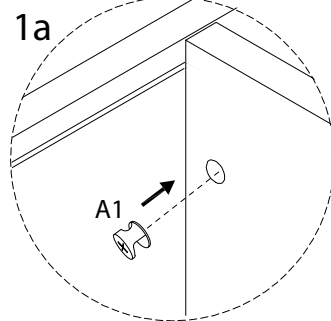
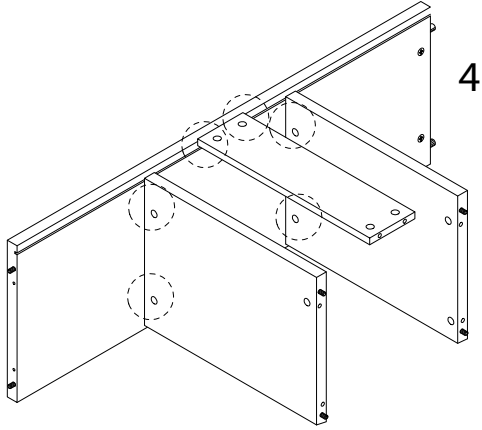


x 6

A3

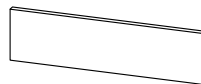


x 6

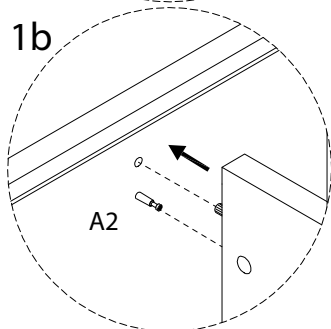
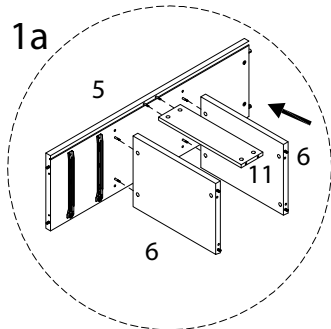
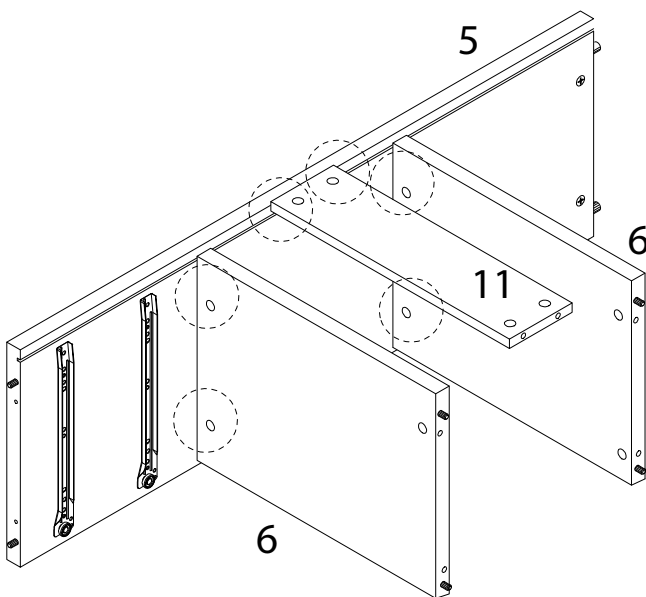


12

11



x 1



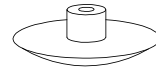
13

A1

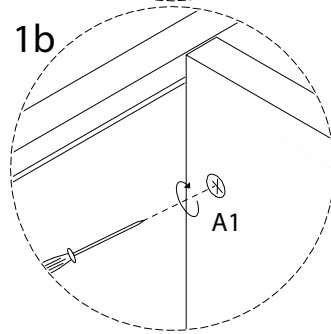
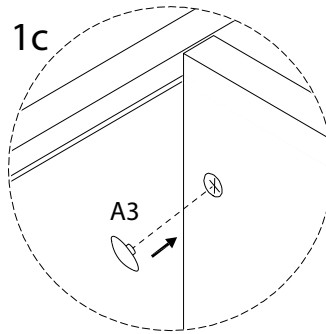
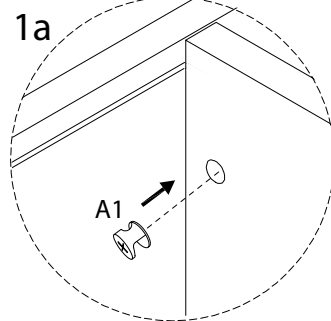
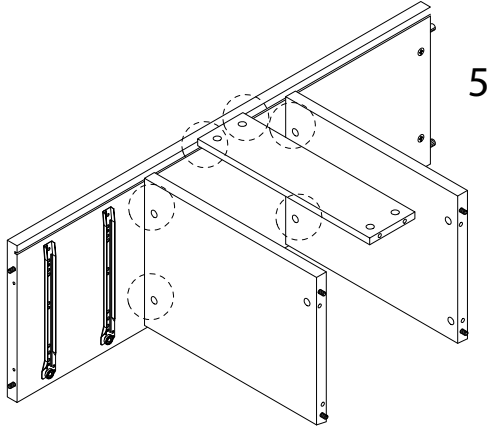


x 6

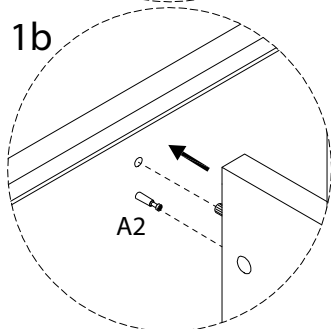
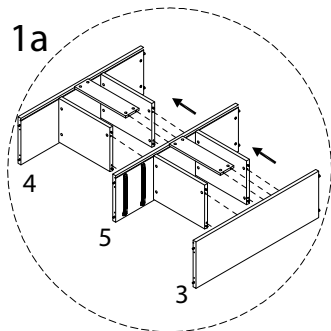
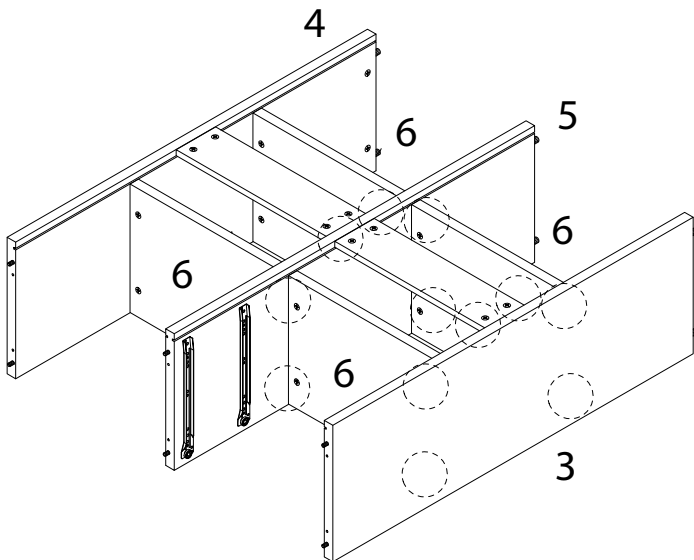
A3



x 6



14



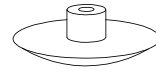
15

A1

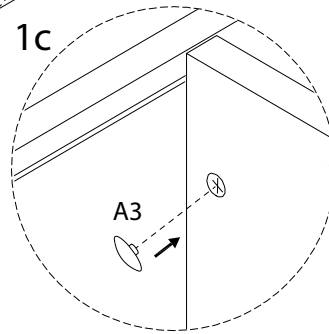
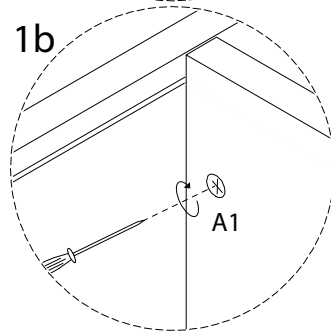
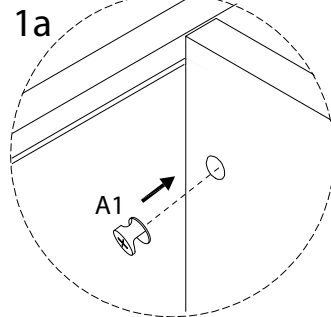
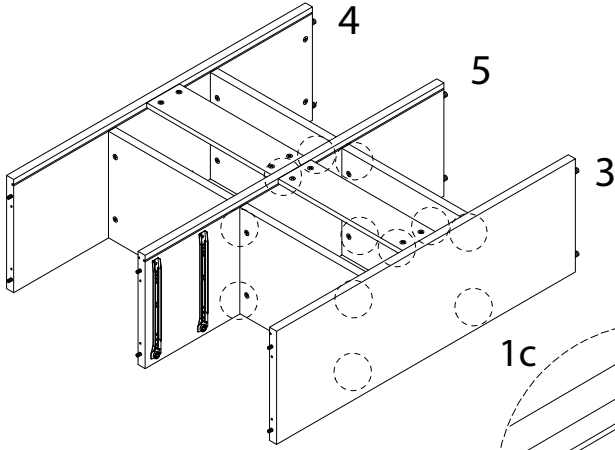


x 12

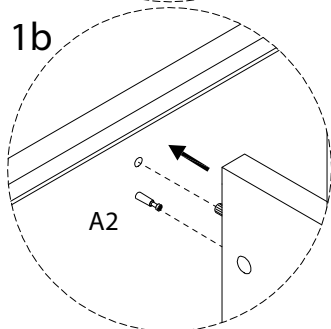
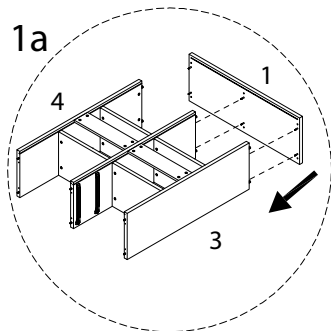
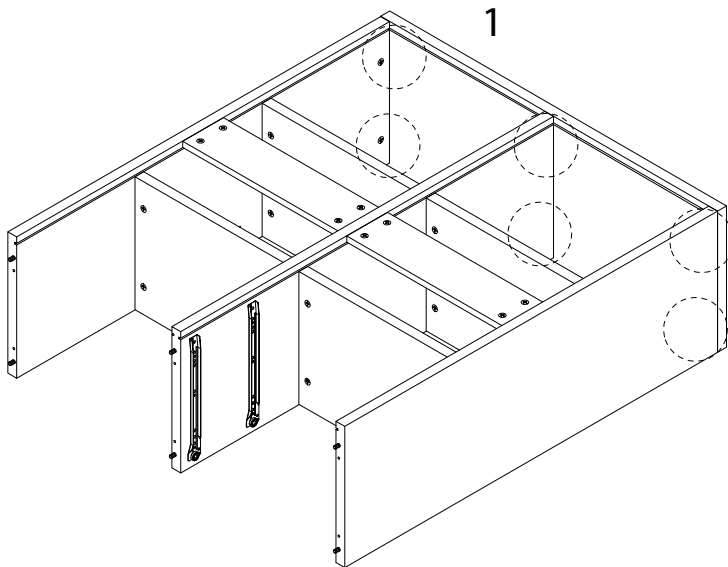
A3



x 12



16



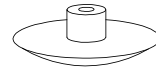
17

A1

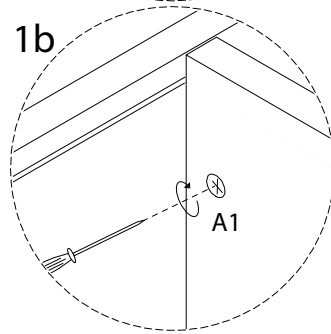
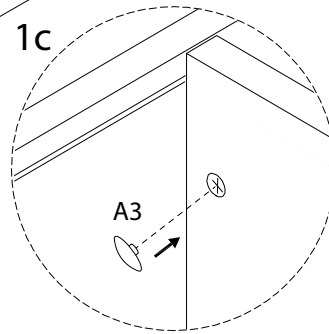
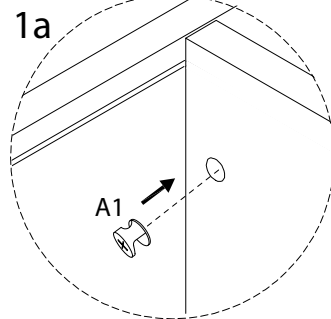
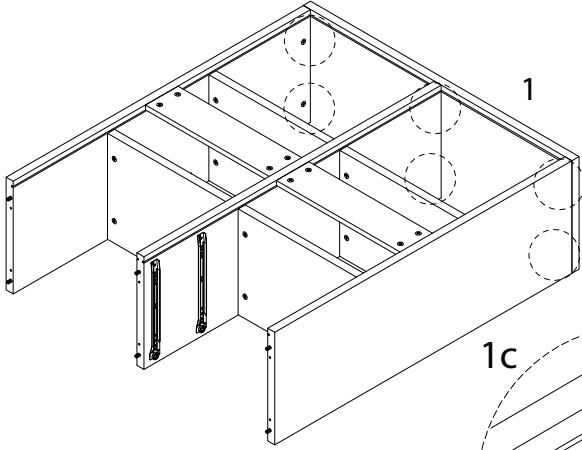


x 6

A3



x 6

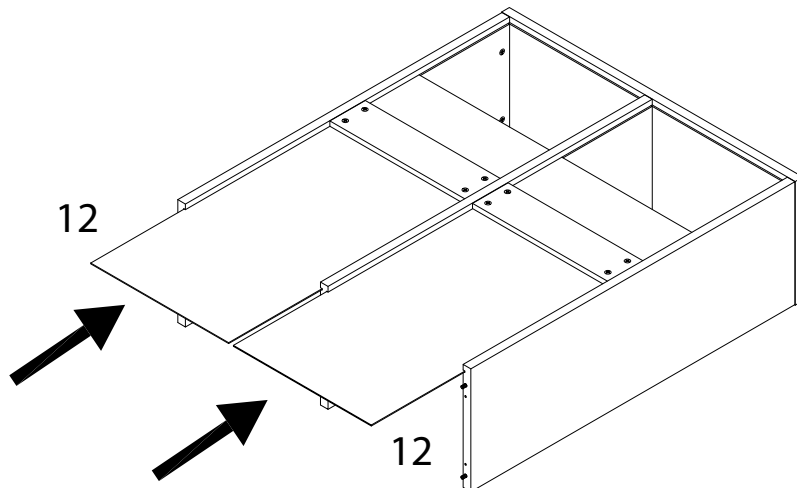


18

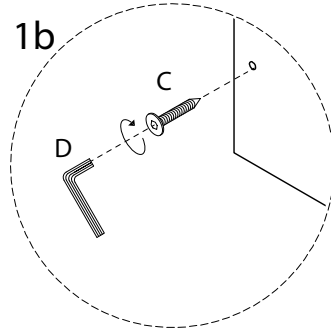
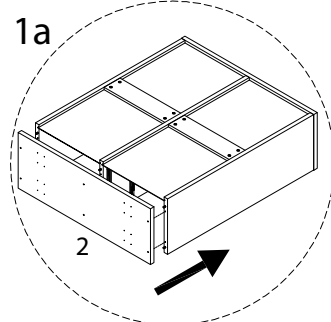
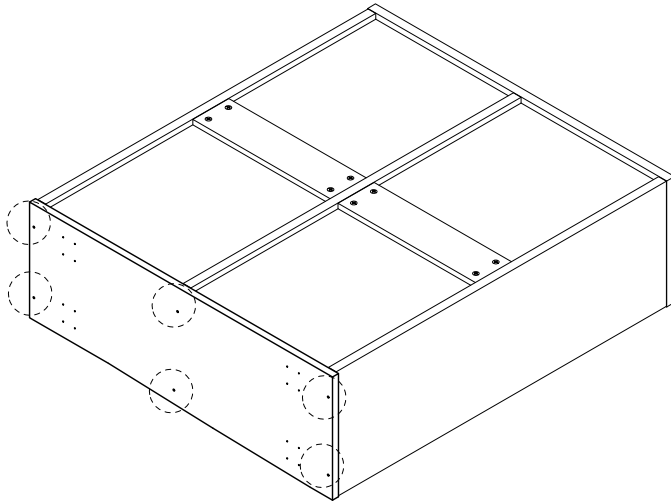
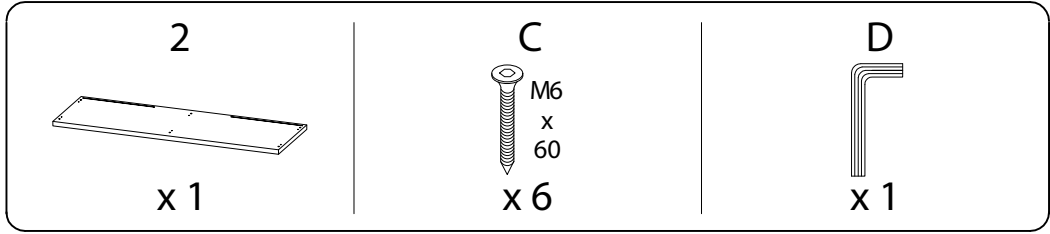
12



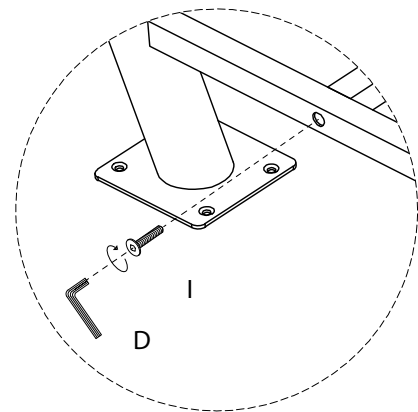
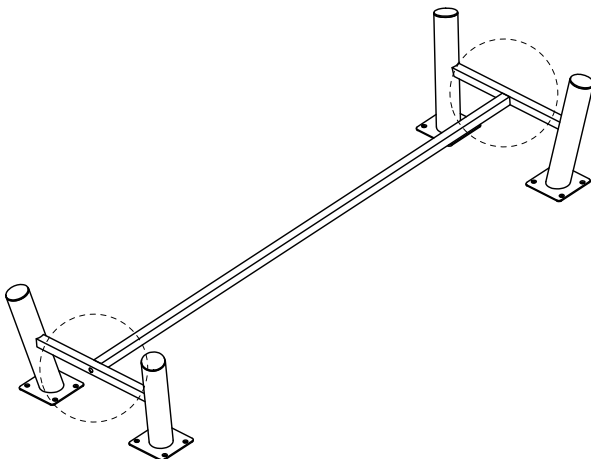
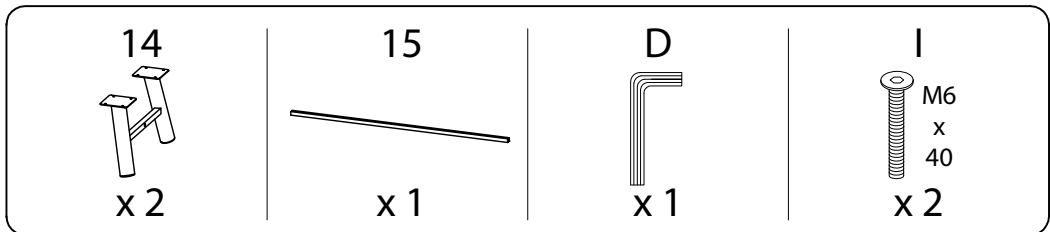
x 2



19



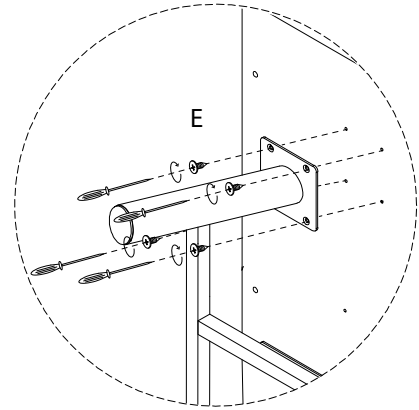
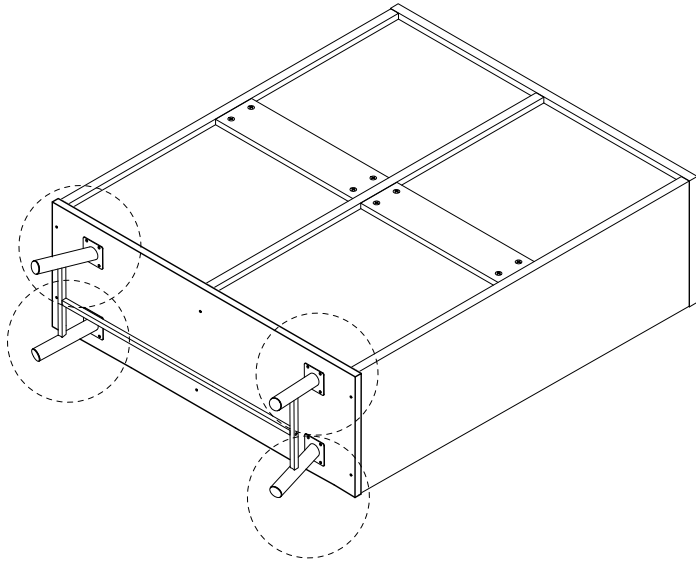
20



21

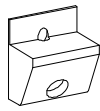
E

M3.5
x
16
x 16



22

L1

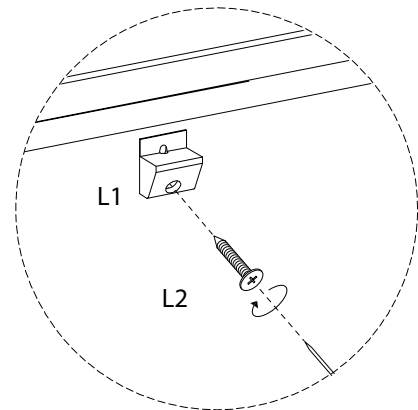
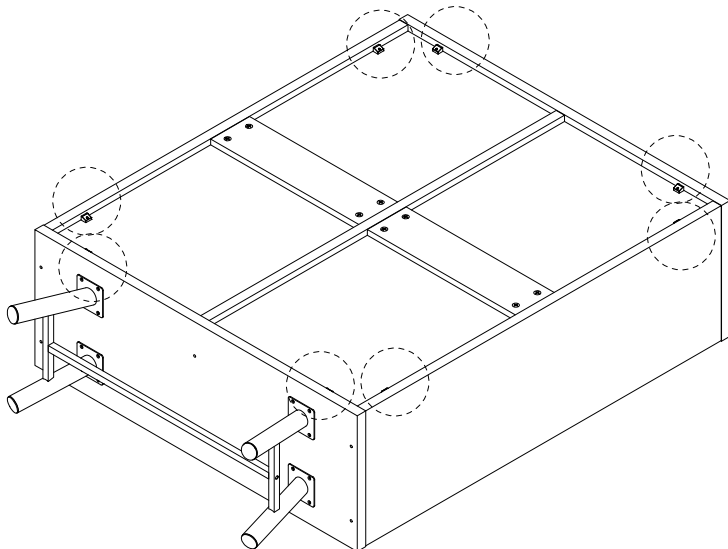


x 8

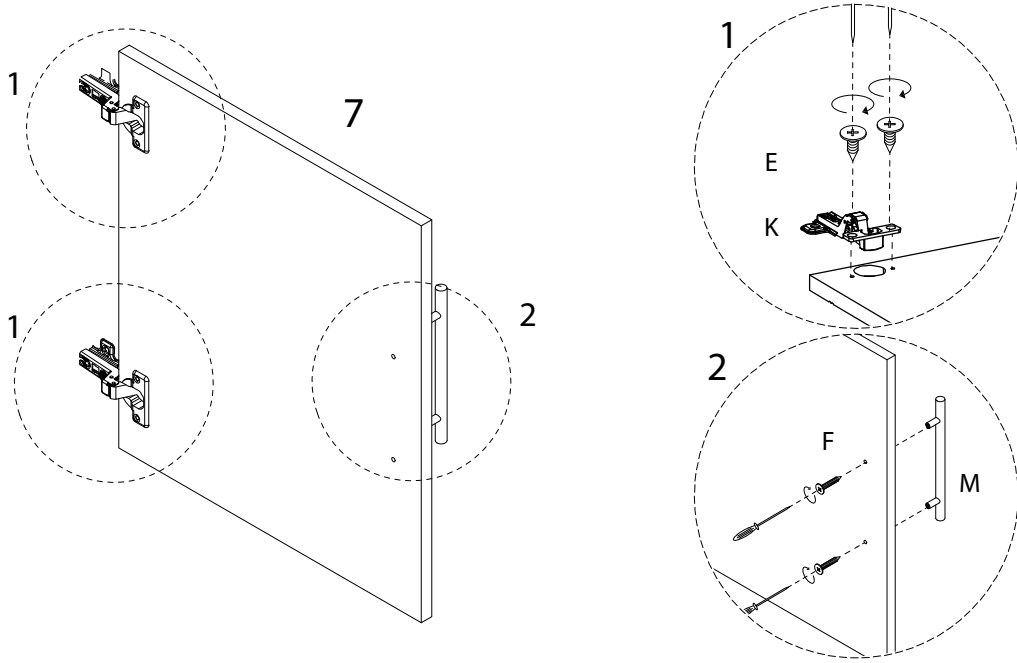
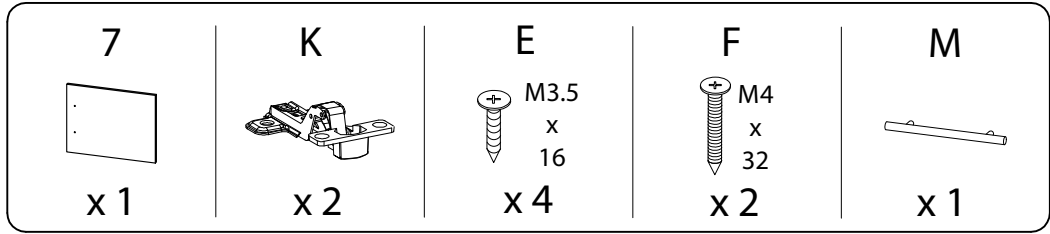
L2



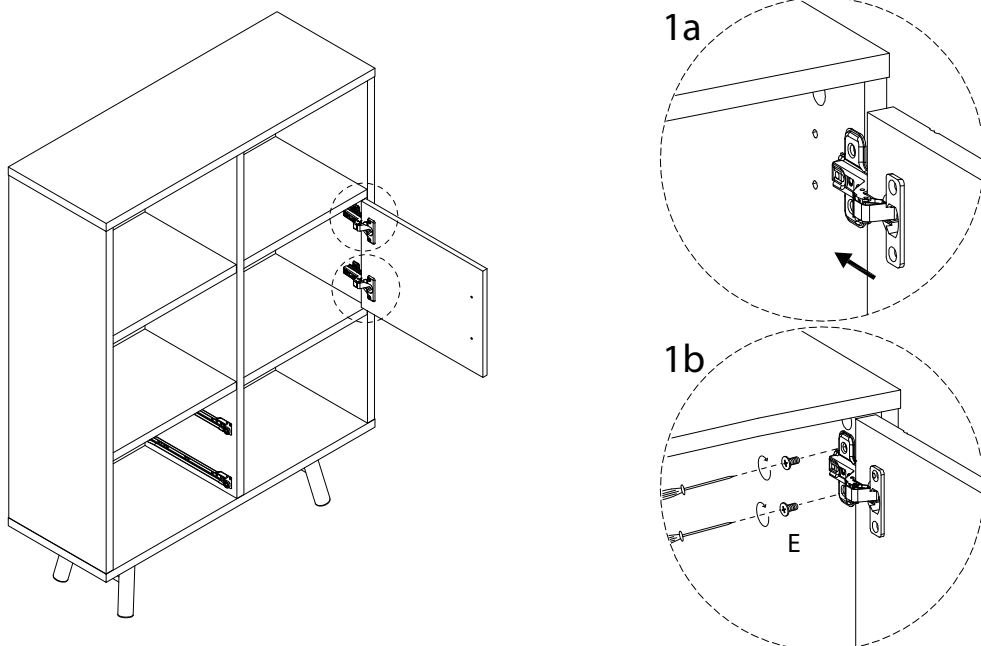
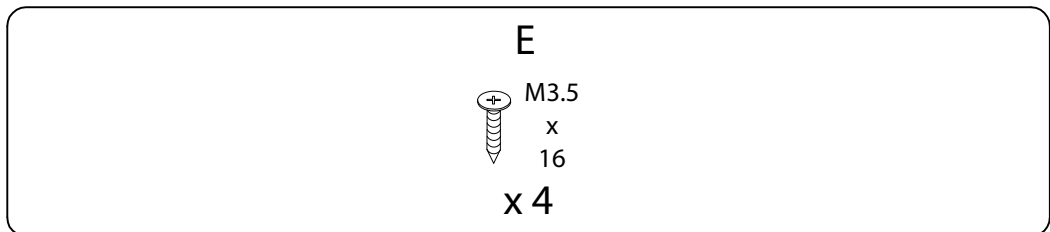
x 8



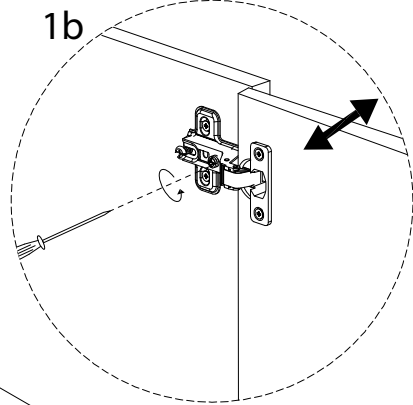
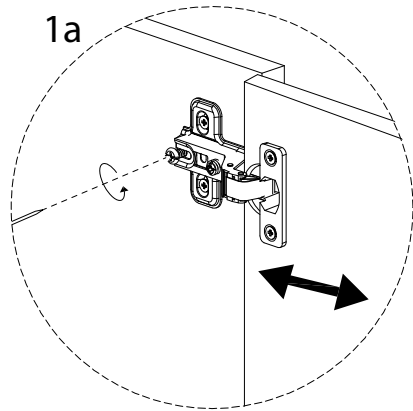
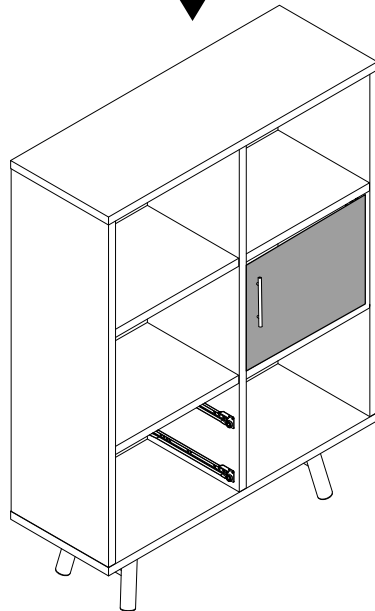
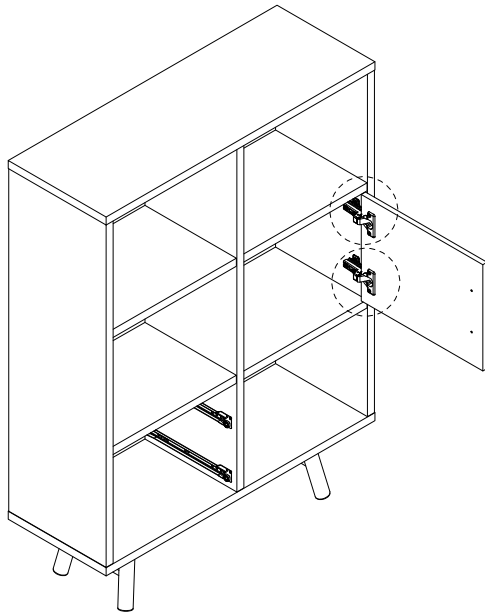
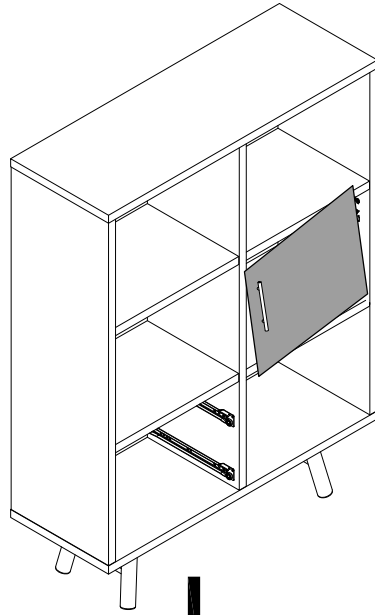
23



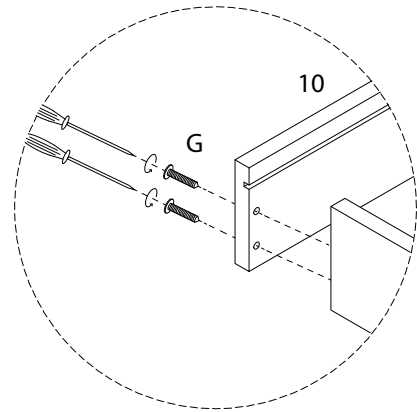
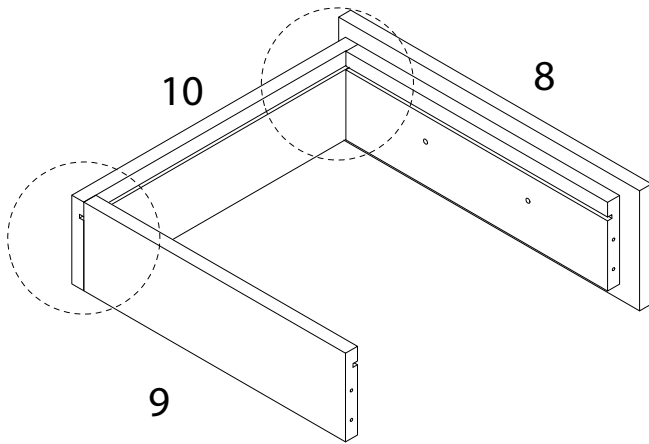
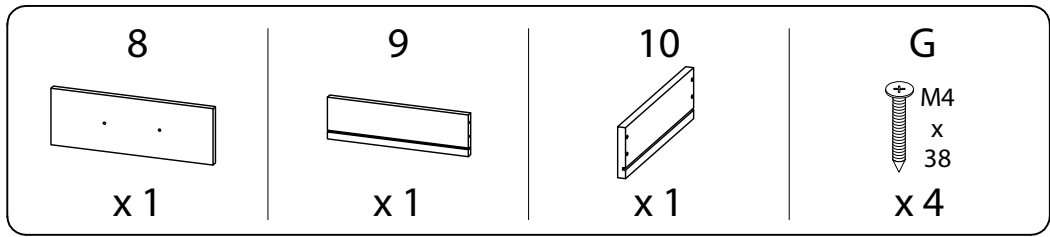
24



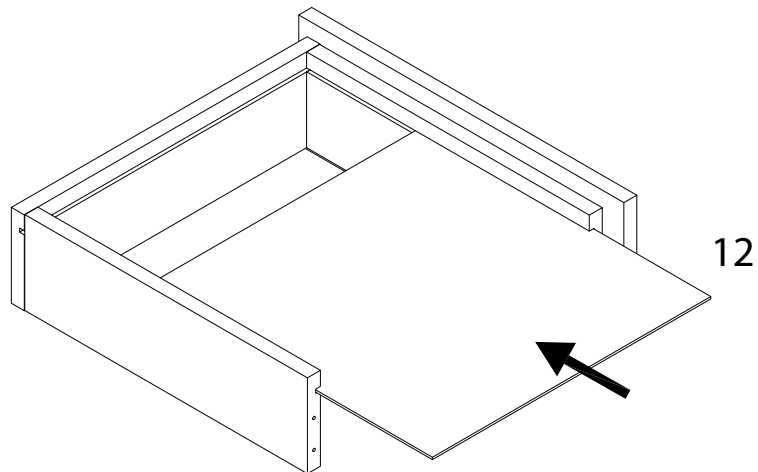
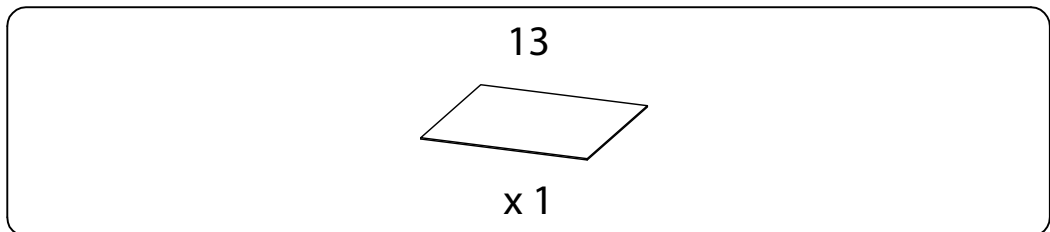
!



25 x 2

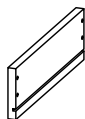


26 x 2



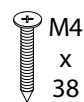
27 x 2

10

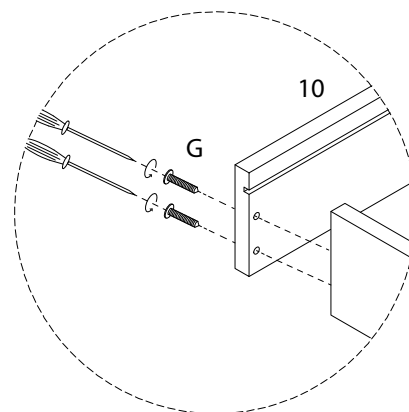
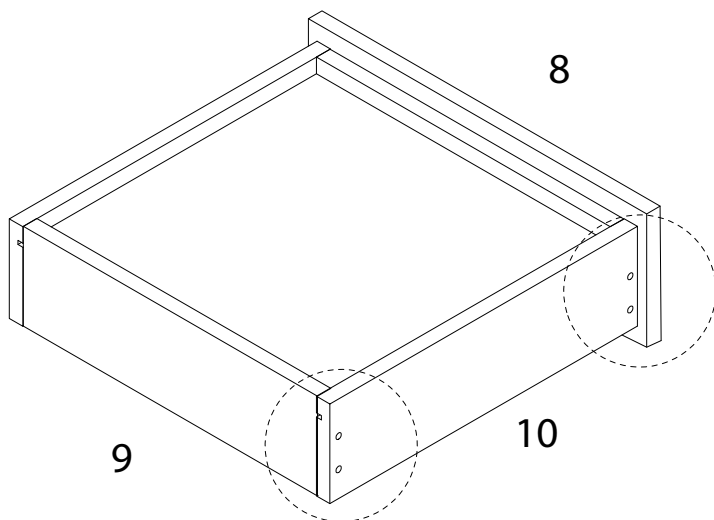


x 1

G

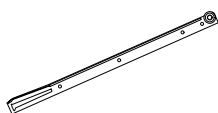


x 4



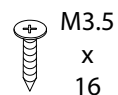
28 x 2

J2

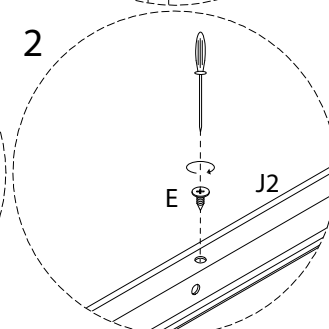
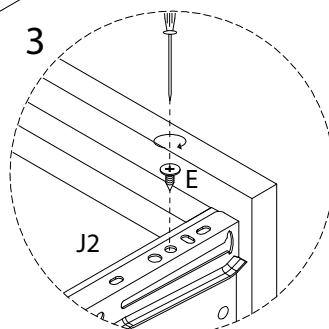
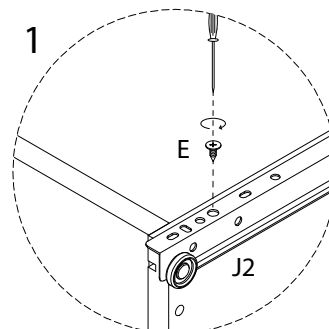
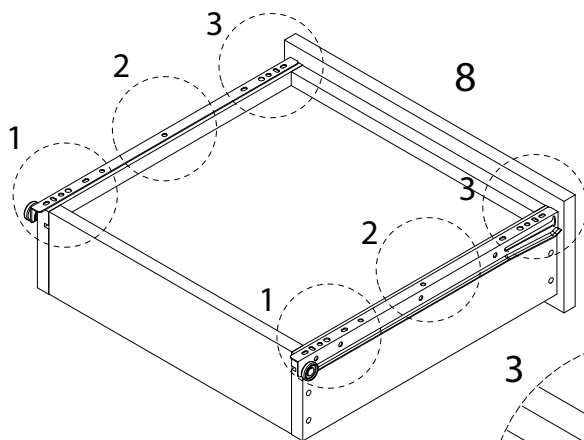


x 2

E



x 6



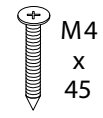
29 x 2

M

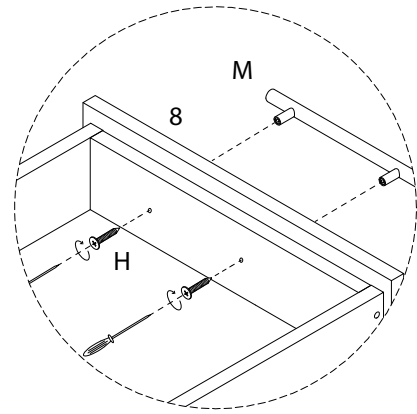
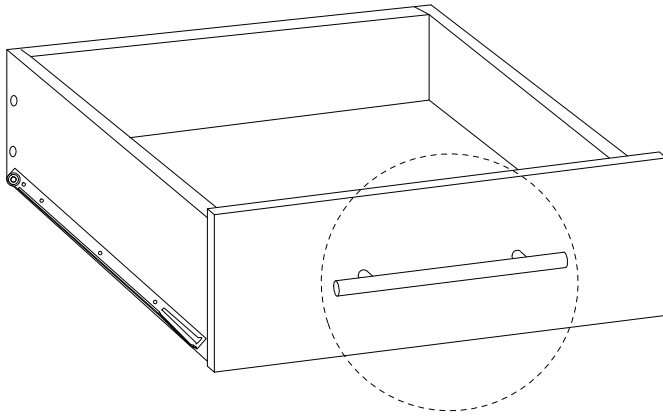


x 1

H



x 2



30

