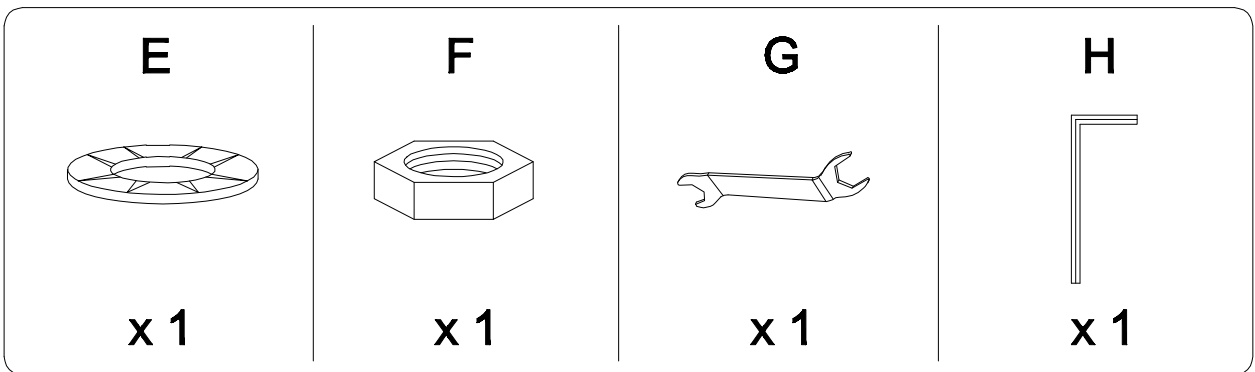
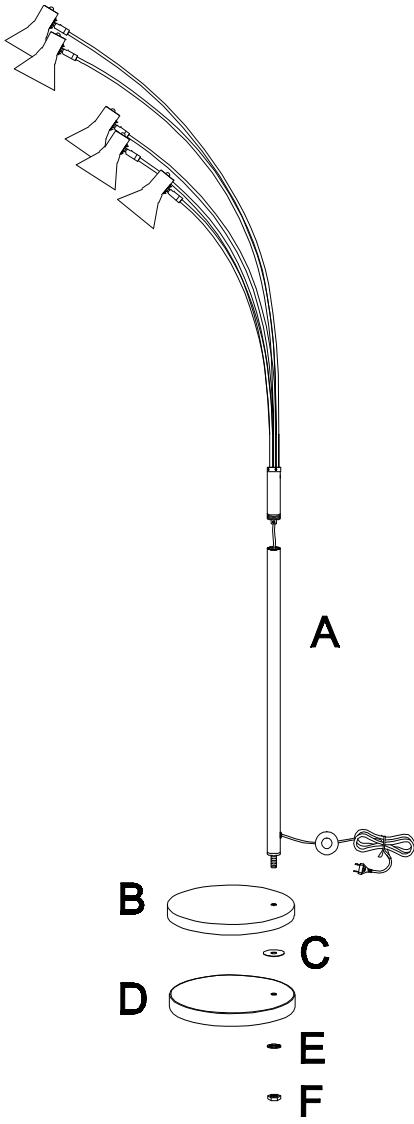
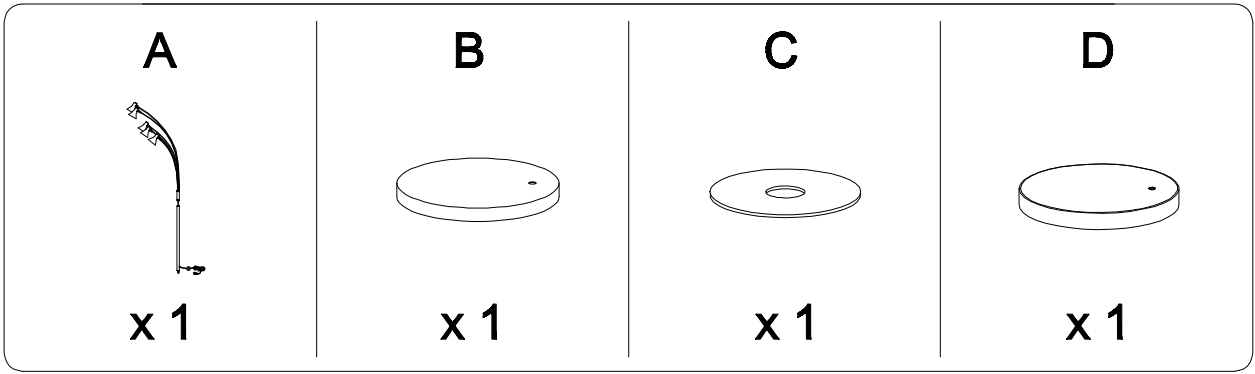


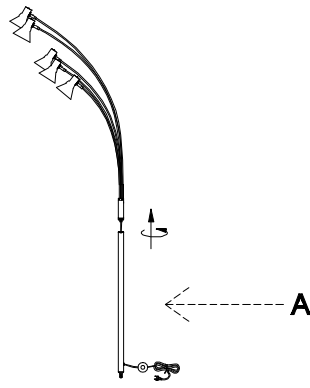
20'



1



1



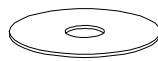
2

B



x 1

C

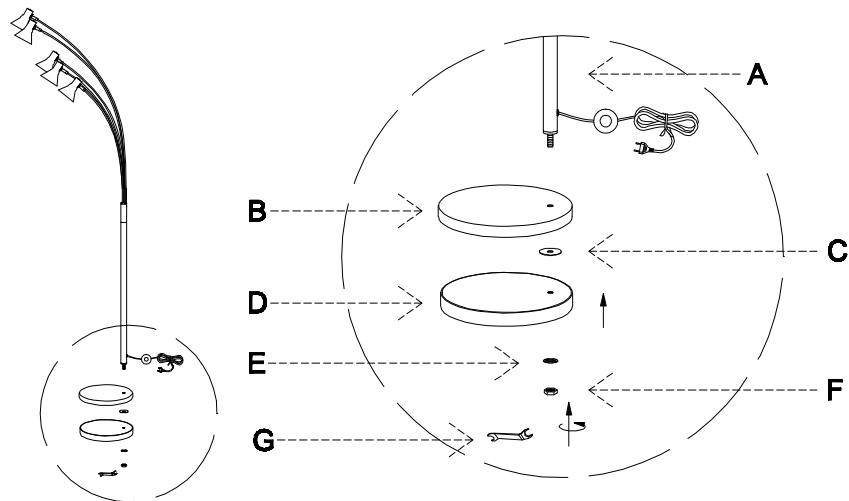


x 1

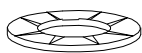
D



x 1



E



x 1

F



x 1

G



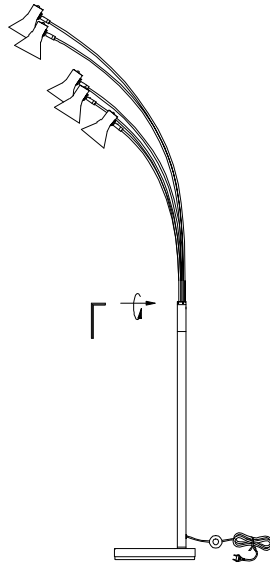
x 1

3

H



x 1



4

