

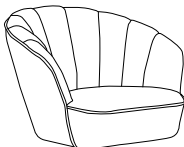
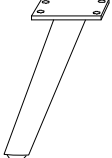
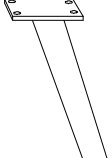
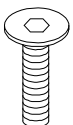

Assembly instructions for the chair, including safety warnings, time estimate, and person count.

Warning 1: Do not use a power drill. Use an Allen key (shown in a circle) to tighten the screws.

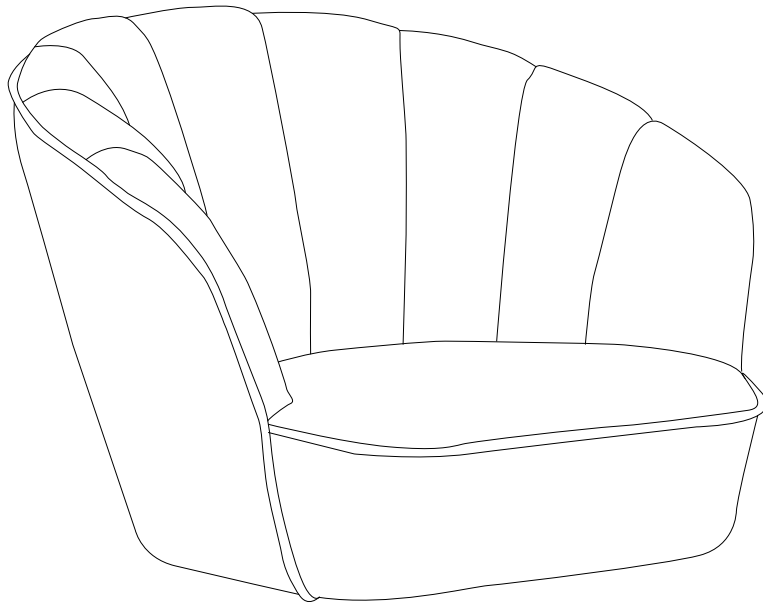
Warning 2: Do not use a power drill to tighten the seat. Use a screwdriver (shown in a circle) to tighten the screws.

Time Estimate: 20'

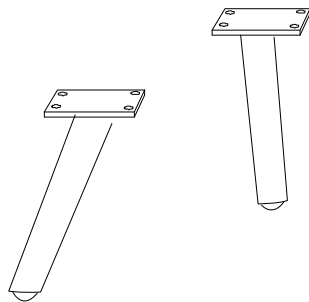
Person Count: 1

<p style="text-align: center;">A</p>  <p style="text-align: center;">x 1</p>	<p style="text-align: center;">B</p>  <p style="text-align: center;">x 2</p>	<p style="text-align: center;">C</p>  <p style="text-align: center;">x 2</p>	<p style="text-align: center;">D</p>  <p style="text-align: center;">M6 x 20</p> <p style="text-align: center;">x 16</p>	<p style="text-align: center;">E</p>  <p style="text-align: center;">x 1</p>
---	---	---	---	---

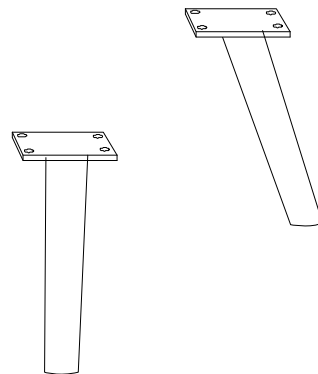
A



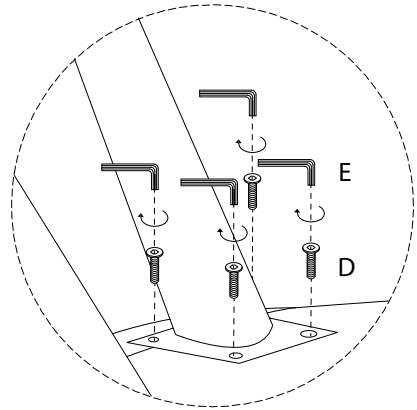
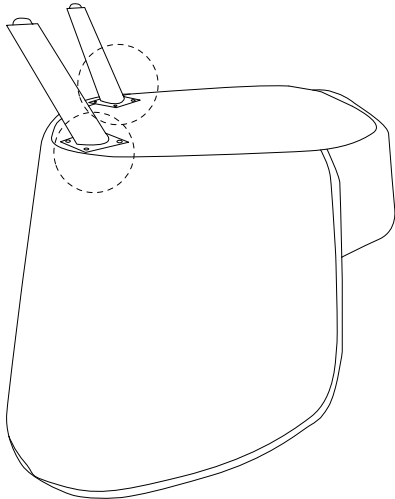
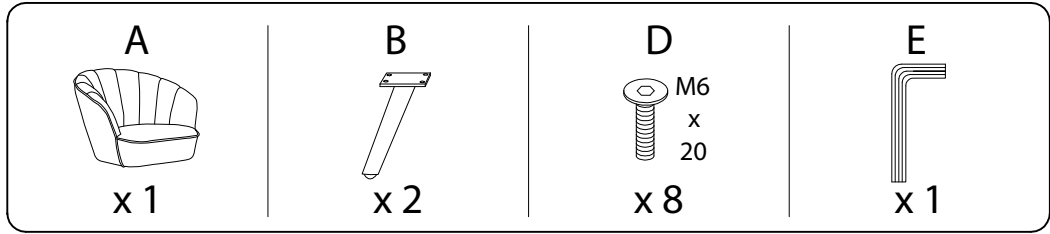
B x 2



C x 2



1



2

