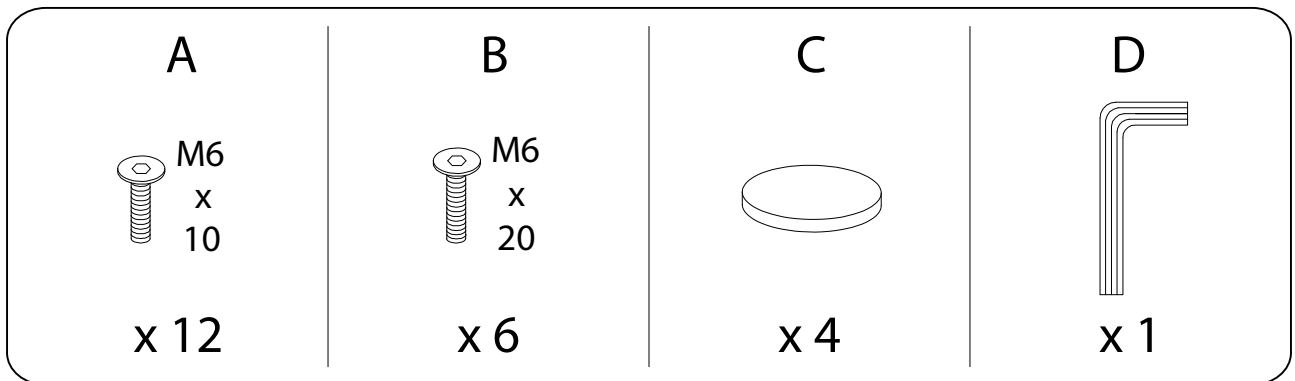
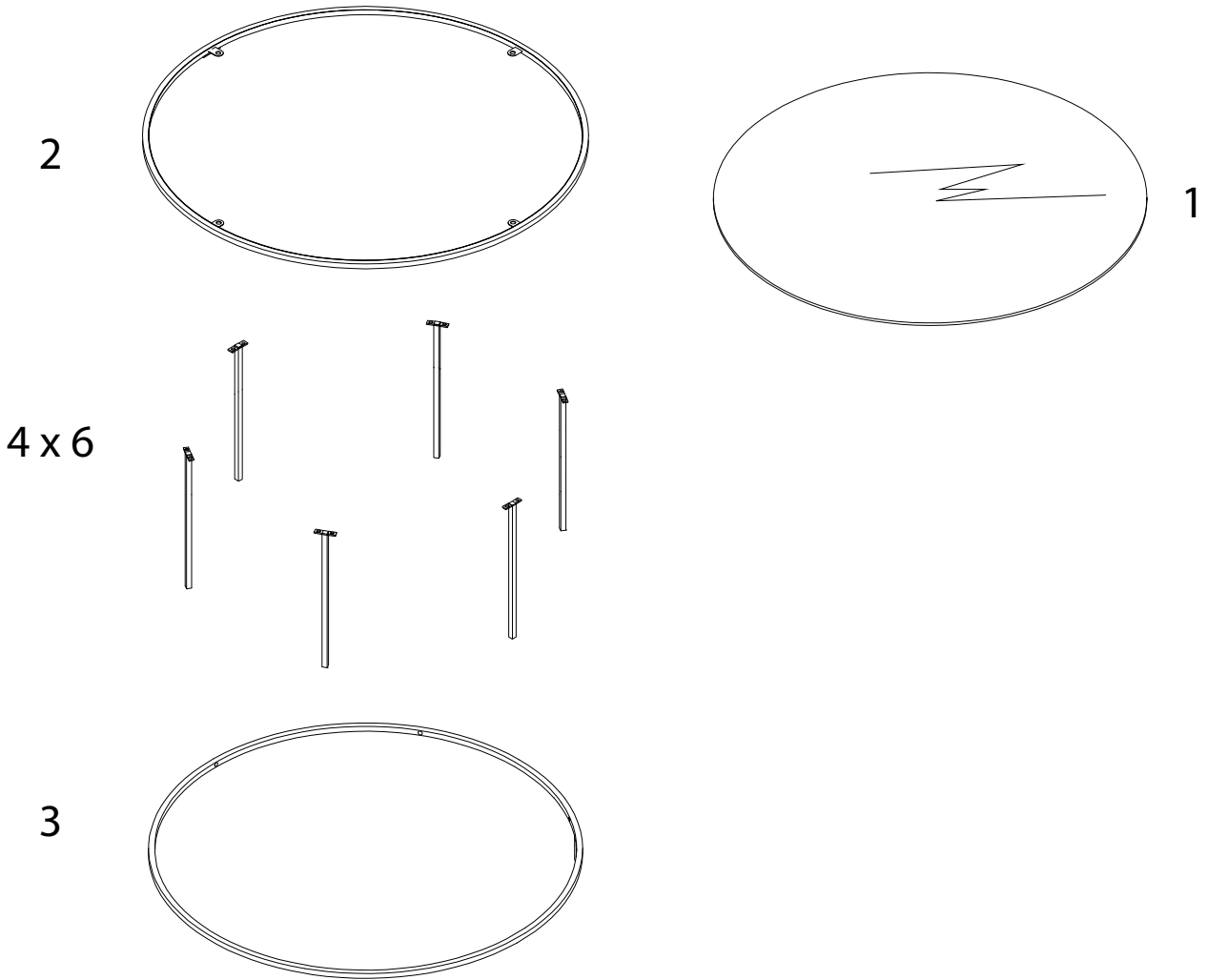
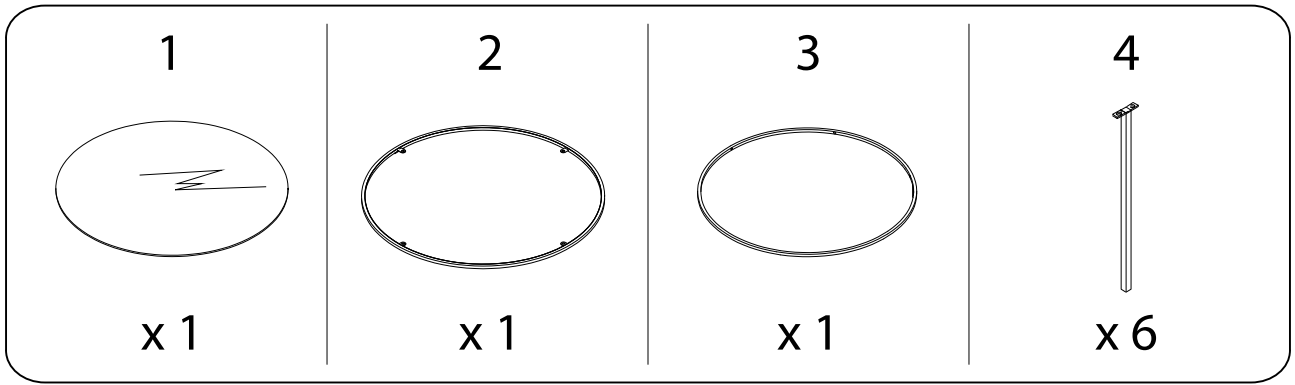
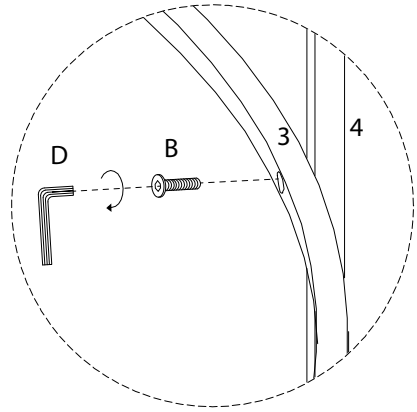
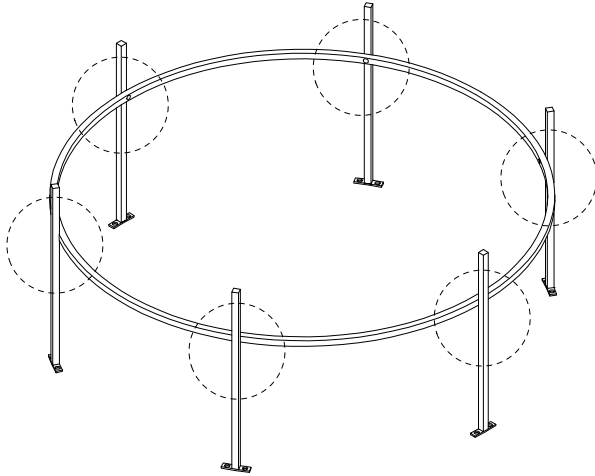
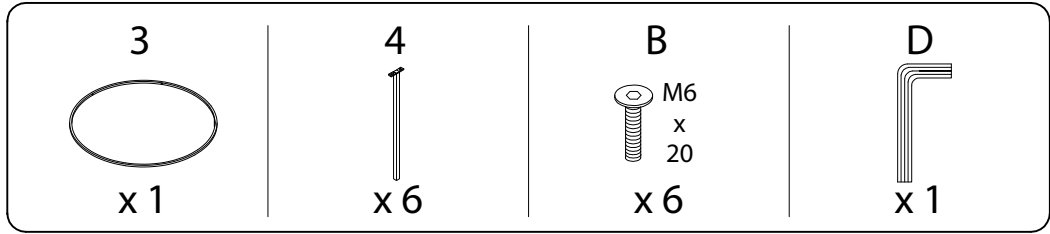


Diagram illustrating assembly instructions and safety warnings:

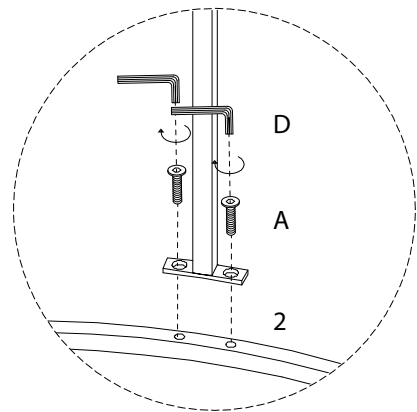
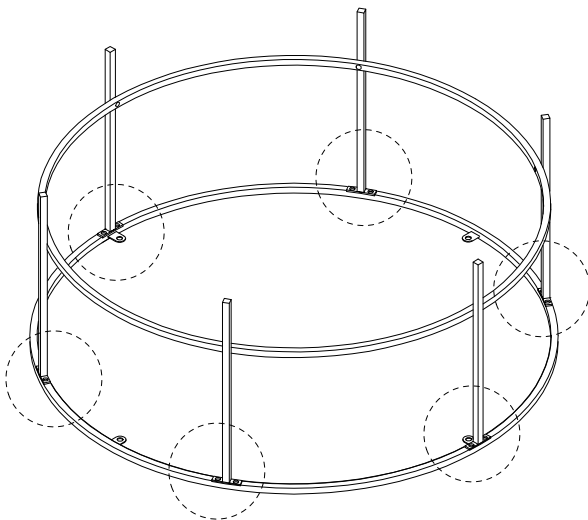
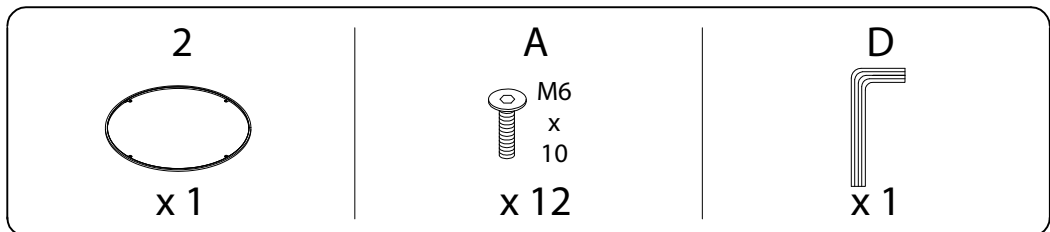
- Top Section:** Shows an L-shaped metal bracket being inserted into a hole in the table's frame. A power drill is shown with a diagonal line through it, indicating that a power drill should not be used for this step. A warning triangle with an exclamation mark is positioned to the right.
- Bottom Section:** Shows a rectangular block being placed on a surface. A power drill is shown with a diagonal line through it, indicating that a power drill should not be used for this step. A warning triangle with an exclamation mark is positioned to the right.
- Timing:** A clock icon is shown with the text "30'" below it, indicating a 30-minute assembly time.
- Person Icon:** A simple human figure icon is shown with the number "1" below it, indicating that one person is required for assembly.



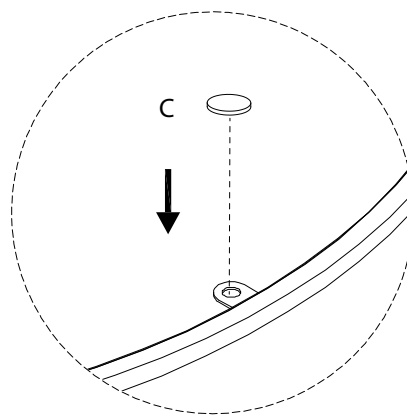
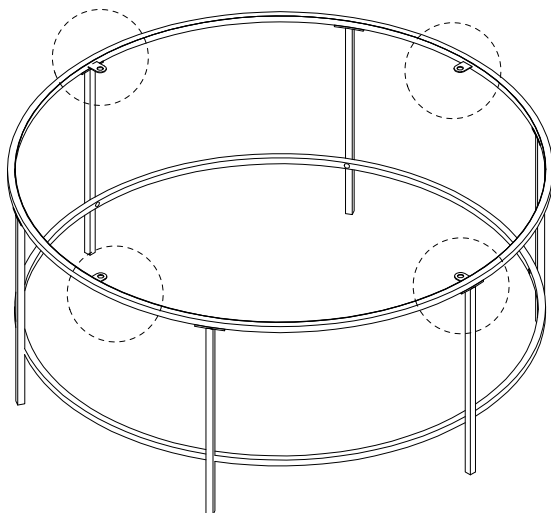
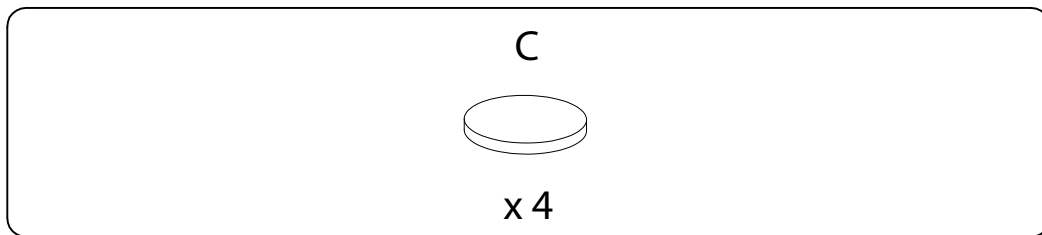
1



2



3



4

