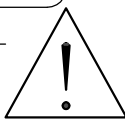
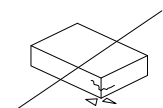
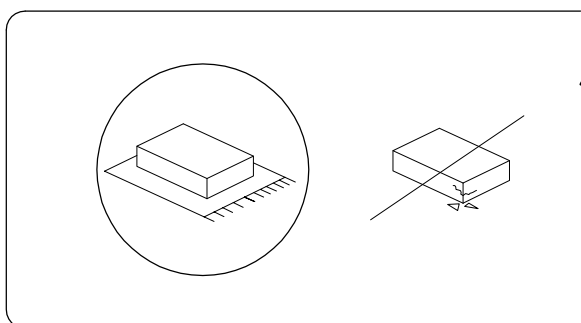
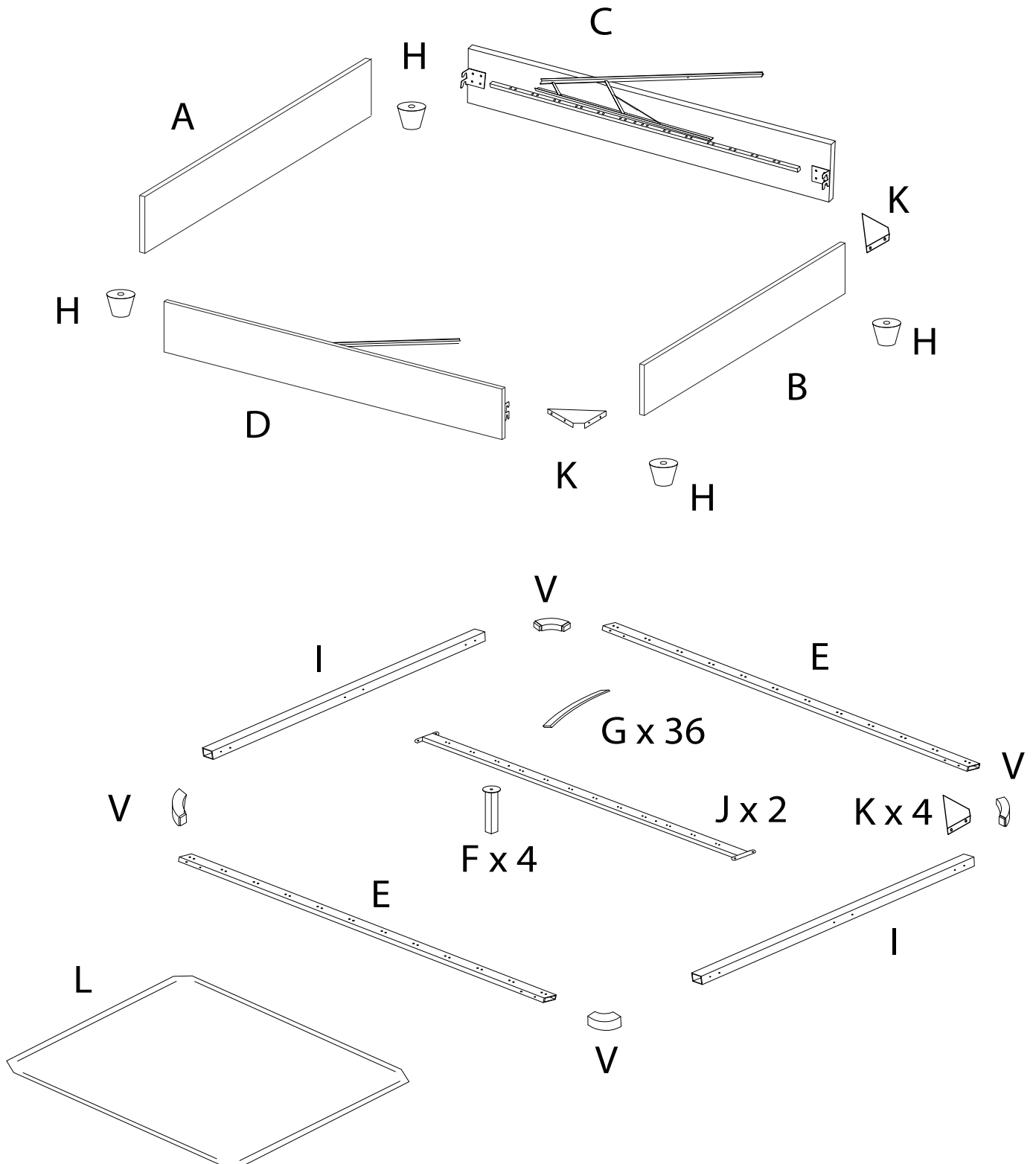
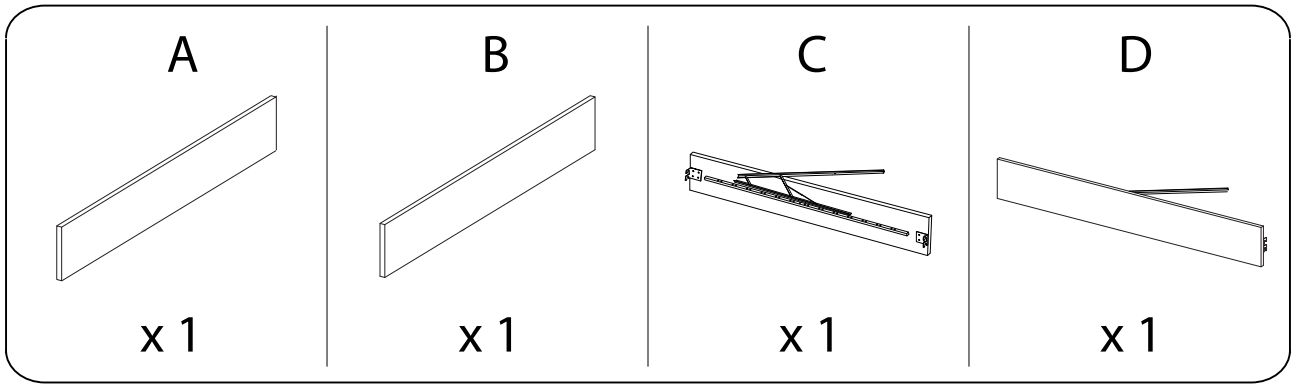
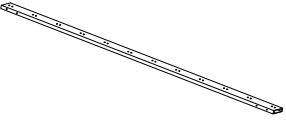
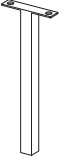
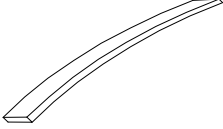

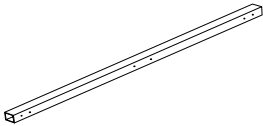
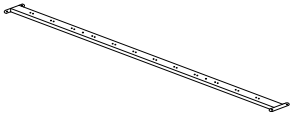
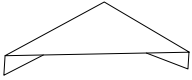
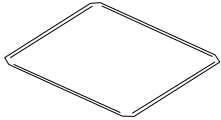
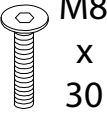
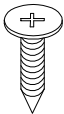
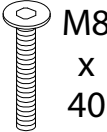
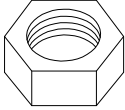
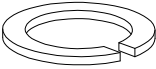
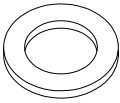
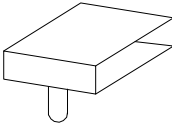
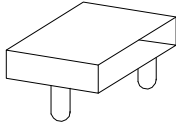
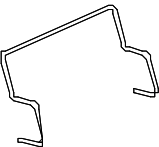

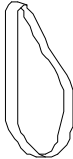

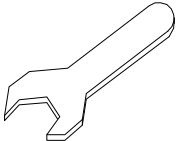


45'

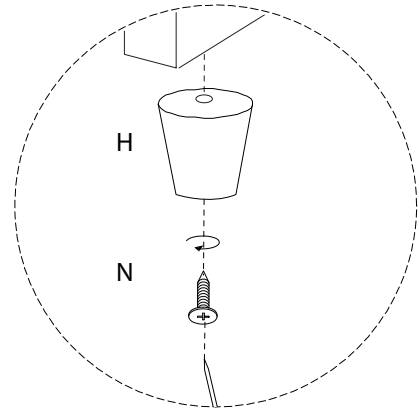
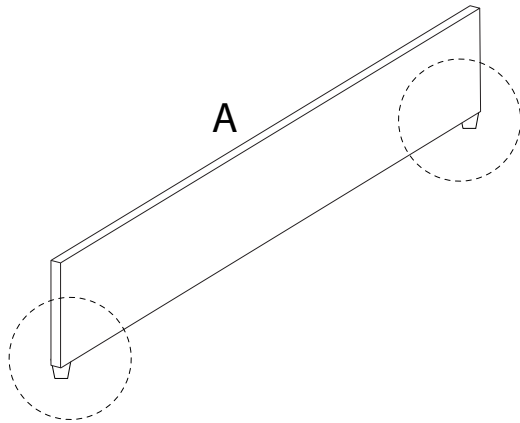
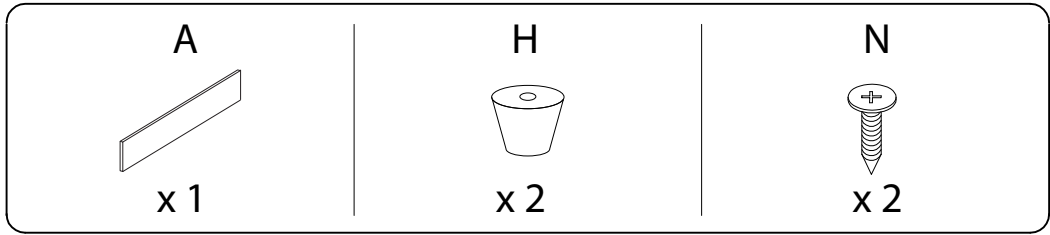


2

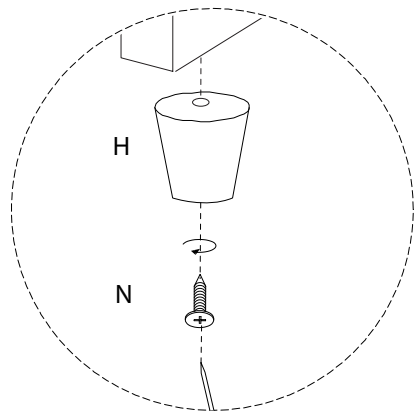
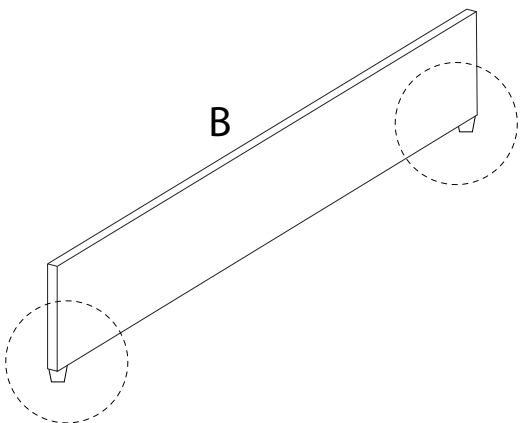
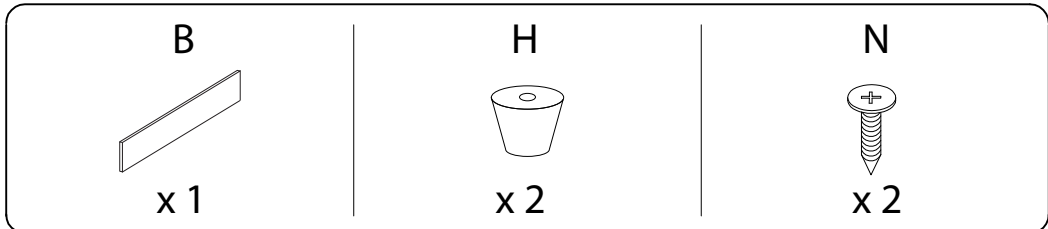


<p>E</p>  <p>x 2</p>	<p>F</p>  <p>x 4</p>	<p>G</p>  <p>x 36</p>	<p>H</p>  <p>x 4</p>	
<p>I</p>  <p>x 2</p>	<p>J</p>  <p>x 2</p>	<p>K</p>  <p>x 6</p>	<p>L</p>  <p>x 1</p>	
<p>M</p>  <p>M8 x 30</p> <p>x 16</p>	<p>N</p>  <p>x 4</p>	<p>O</p>  <p>M8 x 40</p> <p>x 38</p>	<p>P</p>  <p>x 38</p>	
<p>Q</p>  <p>x 16</p>	<p>R</p>  <p>x 16</p>	<p>S</p>  <p>x 24</p>	<p>T</p>  <p>x 24</p>	
<p>U</p>  <p>x 1</p>	<p>V</p>  <p>x 4</p>	<p>W</p>  <p>x 1</p>	<p>X</p>  <p>x 1</p>	<p>Y</p>  <p>x 1</p>



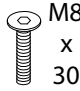

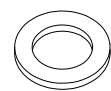
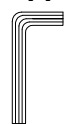
1

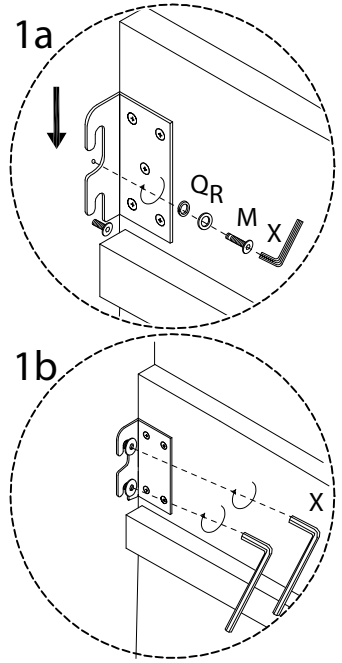
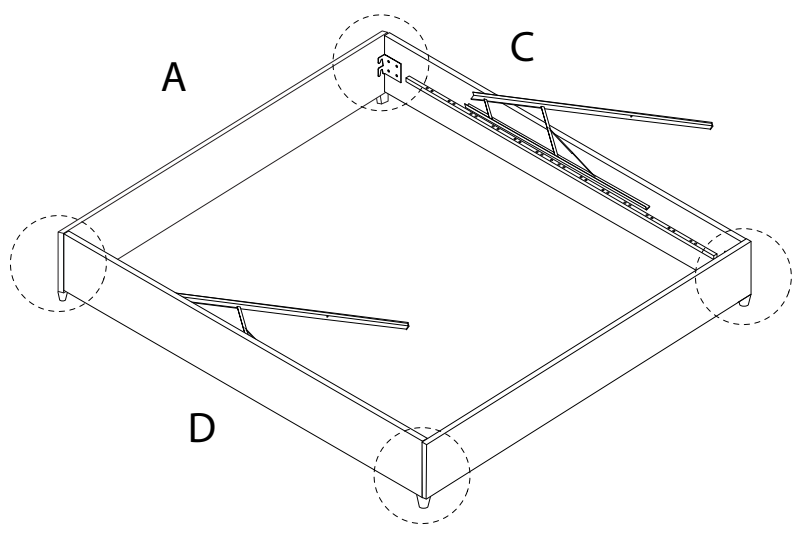


2


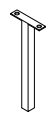

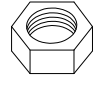
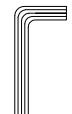
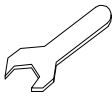


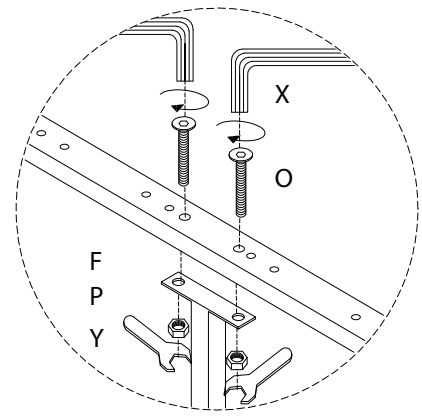
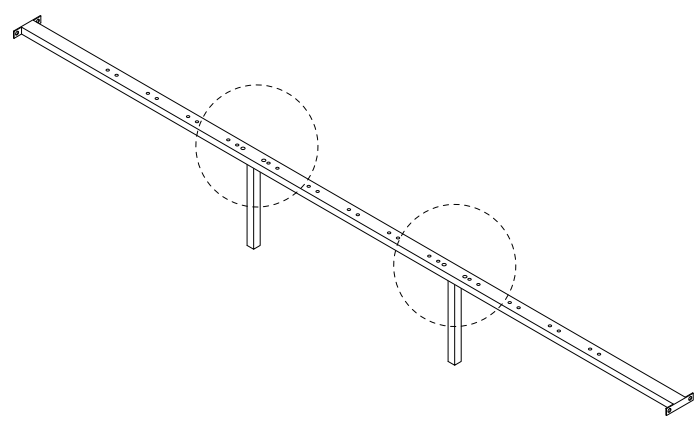
3

C  x1	D  x1	M  M8 x 30 x8	Q  x8	R  x8	X  x1
-----------------------------------------------------------------------------------------------------	-----------------------------------------------------------------------------------------------------	----------------------------------------------------------------------------------------------------------------------	------------------------------------------------------------------------------------------------------	-------------------------------------------------------------------------------------------------------	-------------------------------------------------------------------------------------------------------

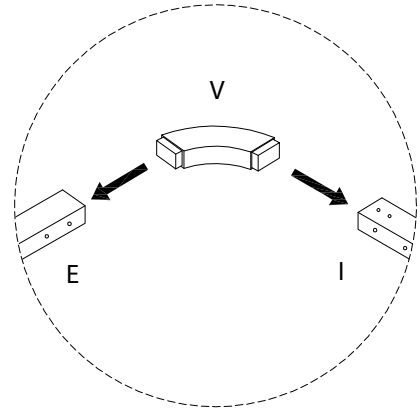
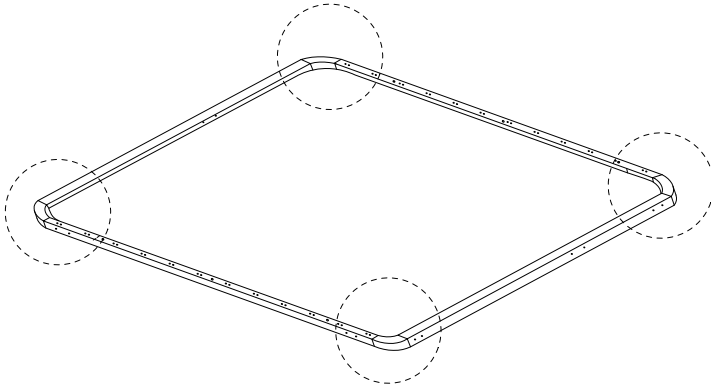
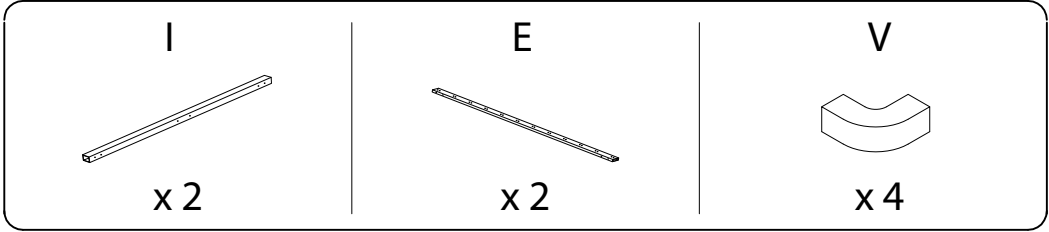


4 x 2

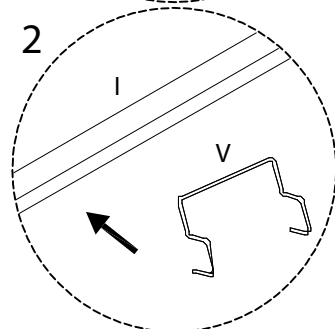
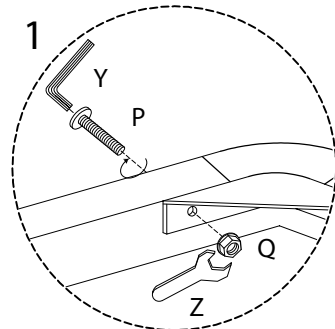
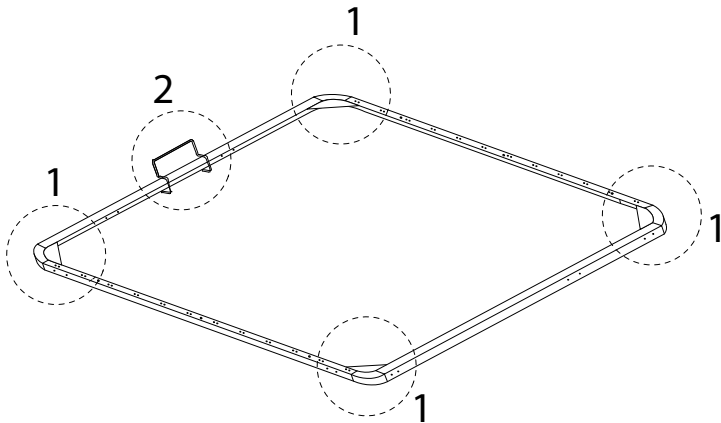
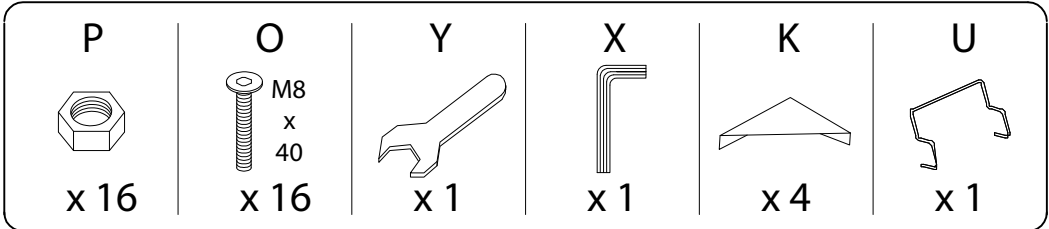
J  x1	F  x2	O  M8 x 40 x4	P  x4	X  x1	Y  x1
-------------------------------------------------------------------------------------------------------	-------------------------------------------------------------------------------------------------------	------------------------------------------------------------------------------------------------------------------------	--------------------------------------------------------------------------------------------------------	---------------------------------------------------------------------------------------------------------	---------------------------------------------------------------------------------------------------------



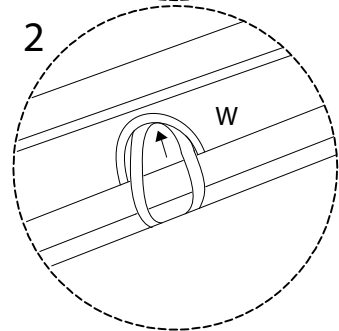
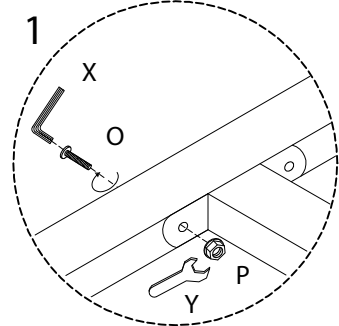
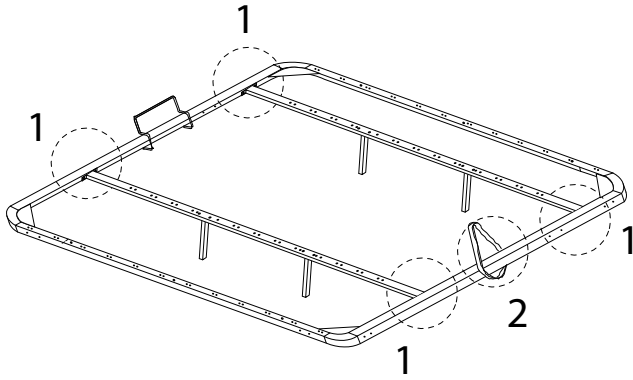
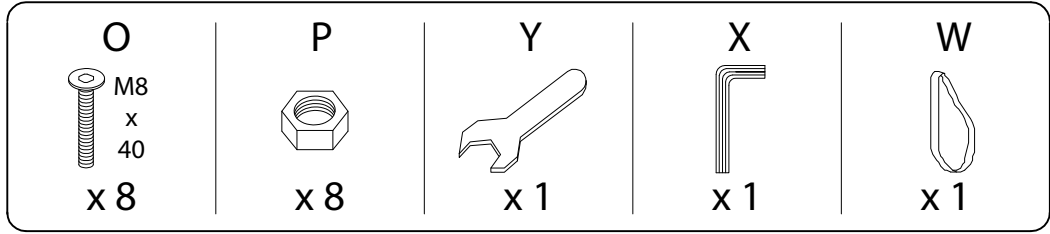
5



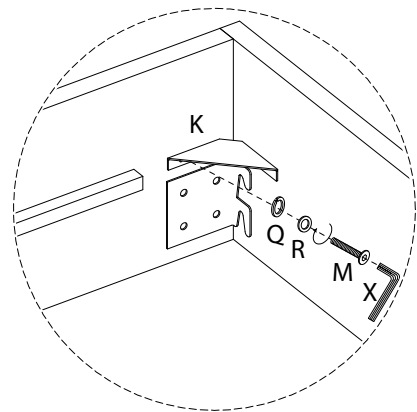
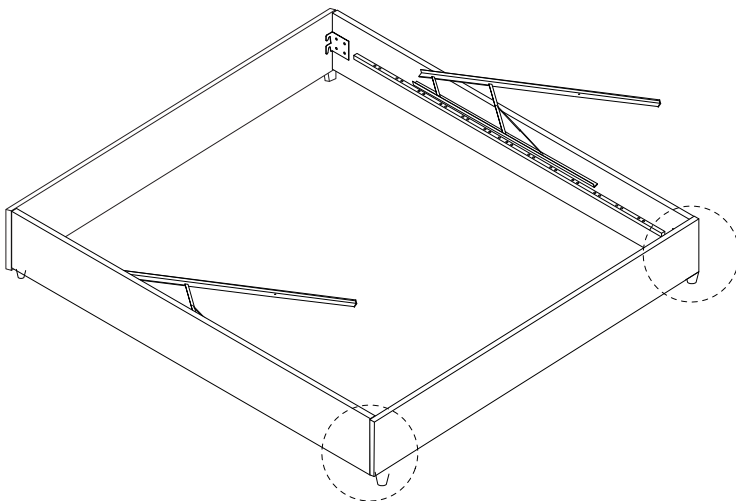
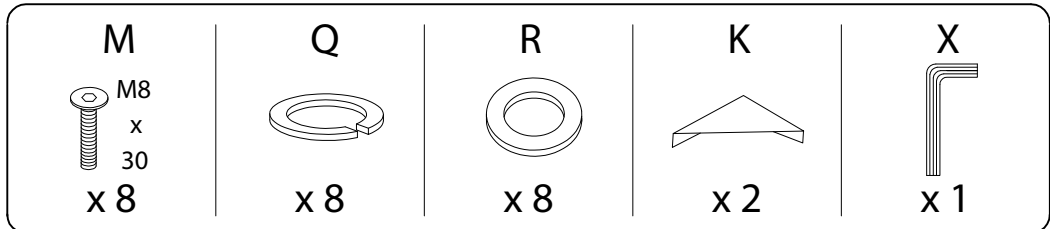
6



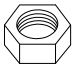
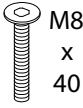
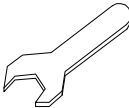
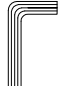
7

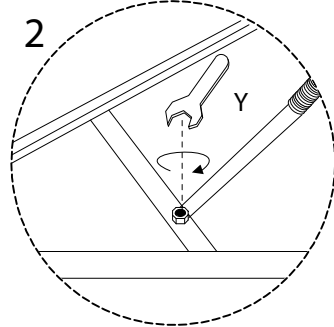
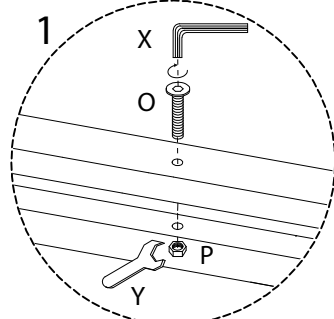
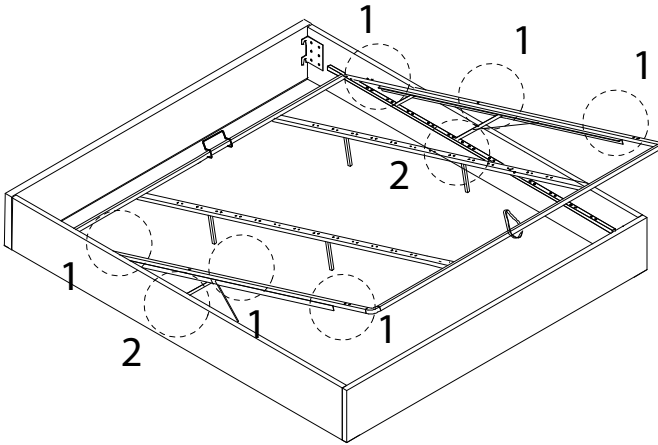


8



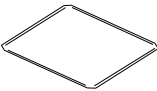
9

<p>P</p>  <p>x 6</p>	<p>O</p>  <p>M8 x 40</p> <p>x 6</p>	<p>Y</p>  <p>x 1</p>	<p>X</p>  <p>x 1</p>
-------------------------------------------------------------------------------------------------------	------------------------------------------------------------------------------------------------------------------------------	--------------------------------------------------------------------------------------------------------	---------------------------------------------------------------------------------------------------------

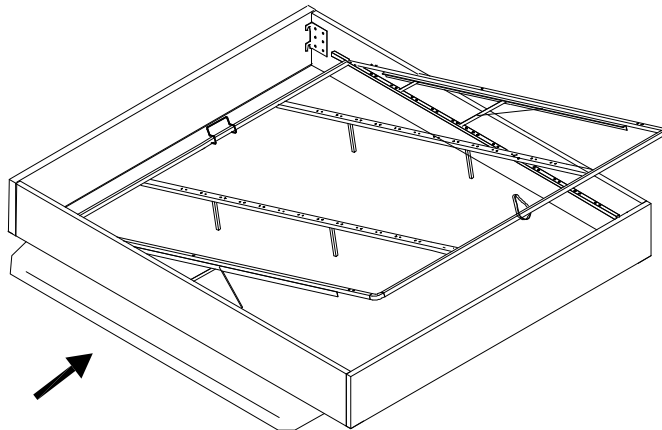


10

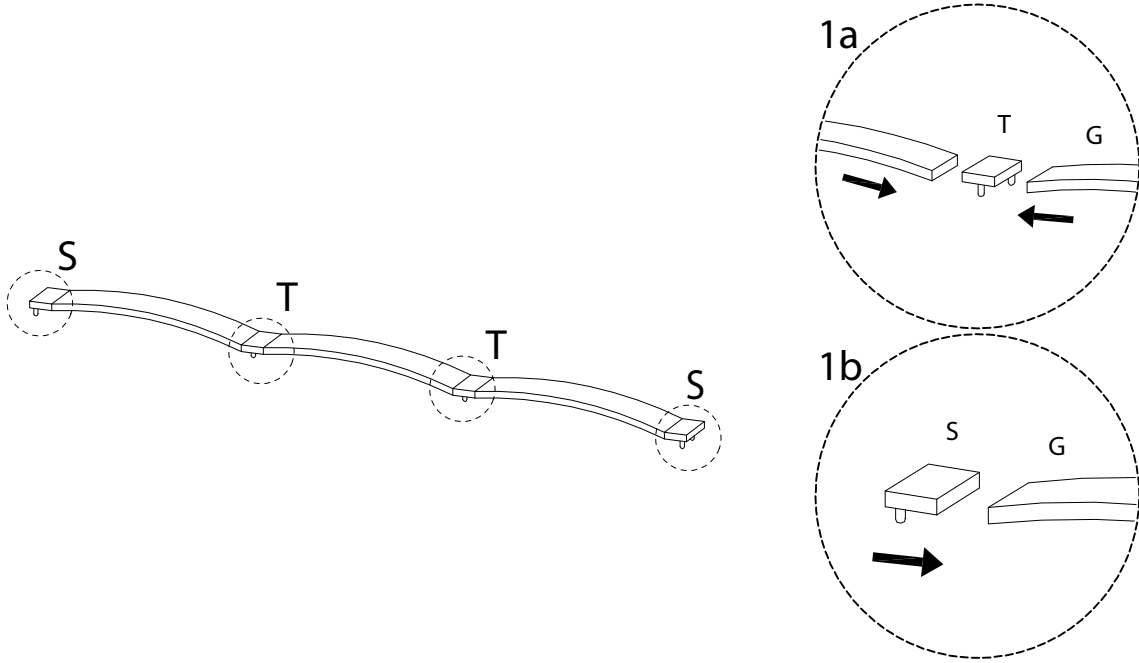
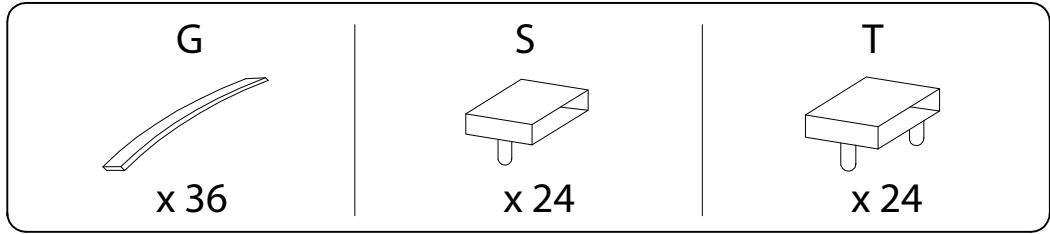
L



x 1



11



12

