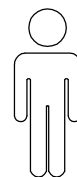
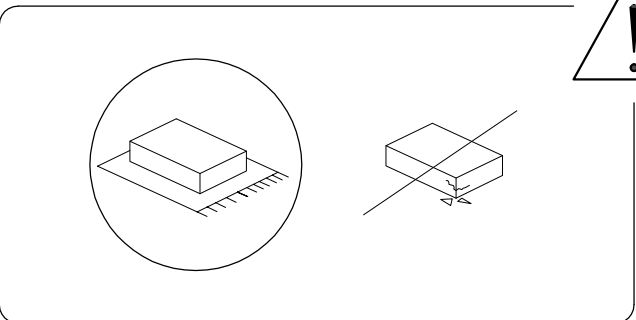
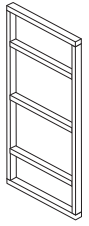
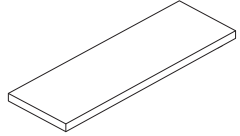
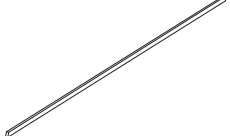
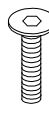

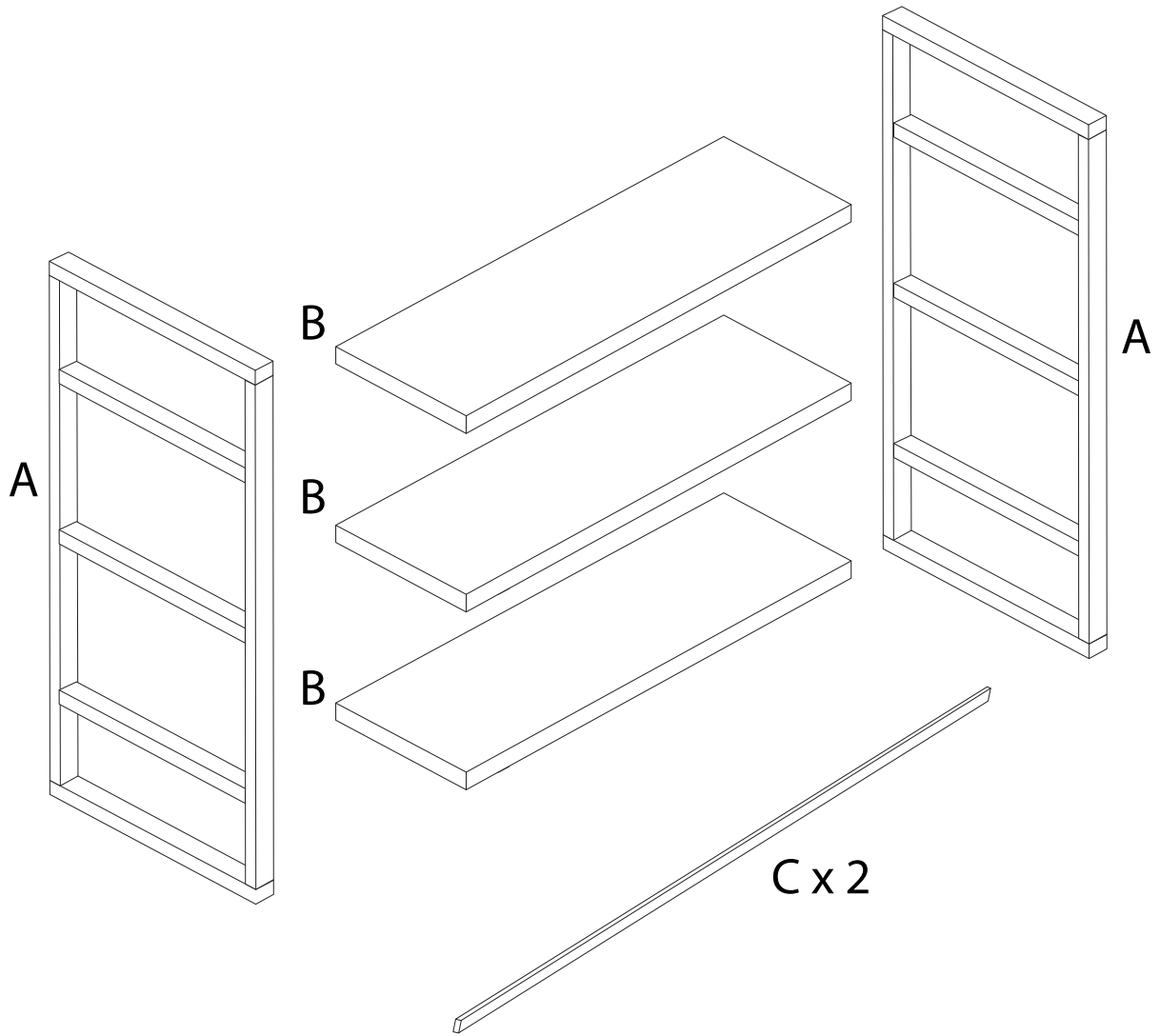


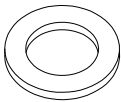
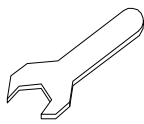
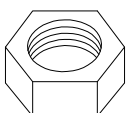
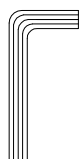

30'



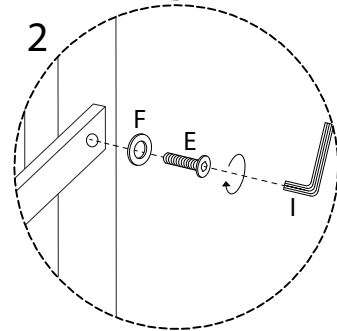
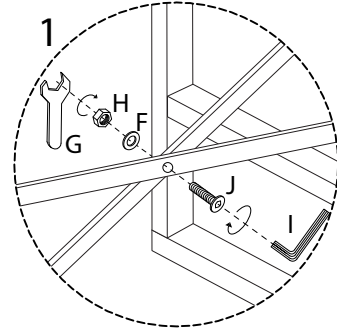
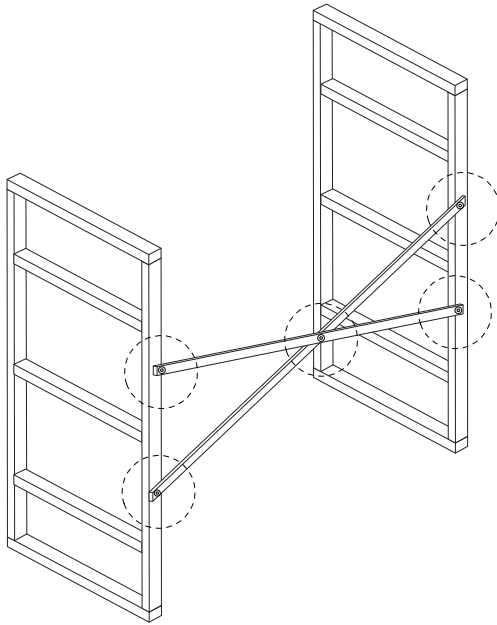
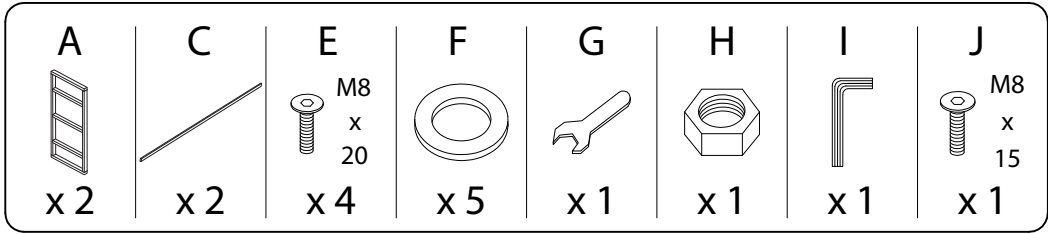
1

<p>A</p>  <p>x 2</p>	<p>B</p>  <p>x 3</p>	<p>C</p>  <p>x 2</p>	<p>D</p>  <p>M8 x 25</p> <p>x 12</p>	<p>E</p>  <p>M8 x 20</p> <p>x 4</p>
---	---	---	---	--



<p>F</p>  <p>x 17</p>	<p>G</p>  <p>x 1</p>	<p>H</p>  <p>x 1</p>	<p>I</p>  <p>x 1</p>	<p>J</p>  <p>M8 x 15</p> <p>x 1</p>
--	---	---	---	--

1



2

