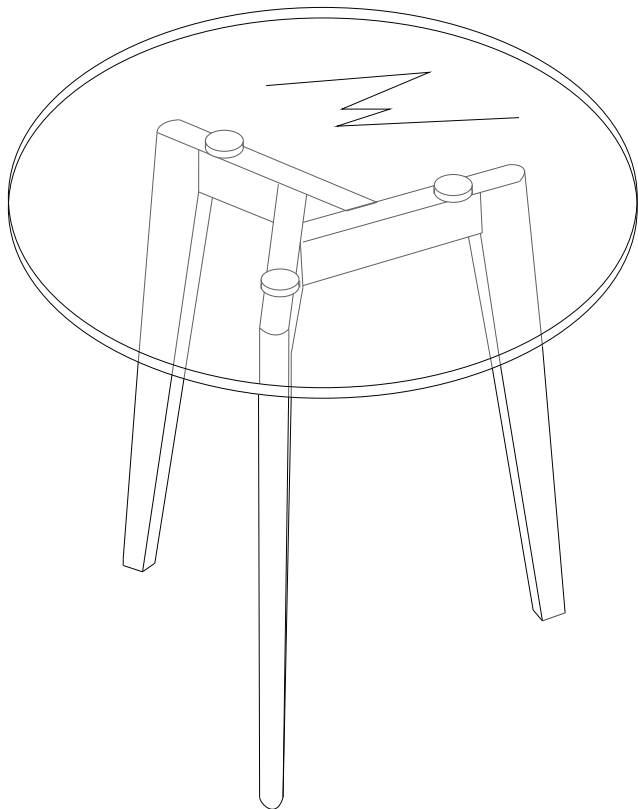
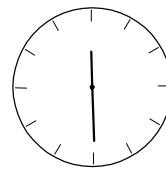
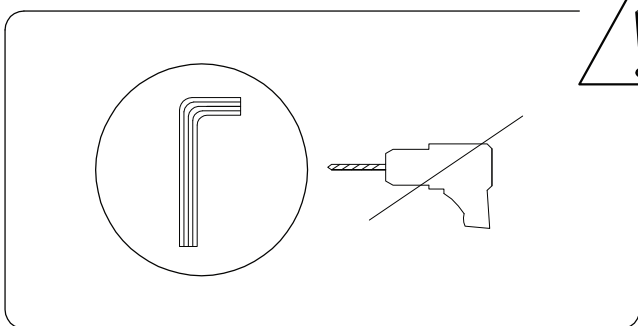
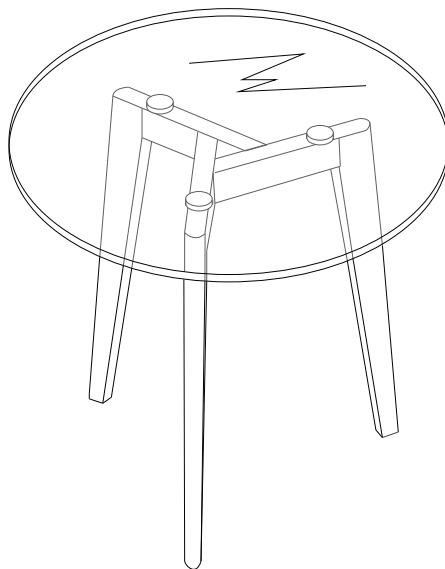


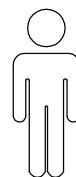
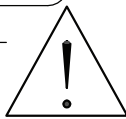
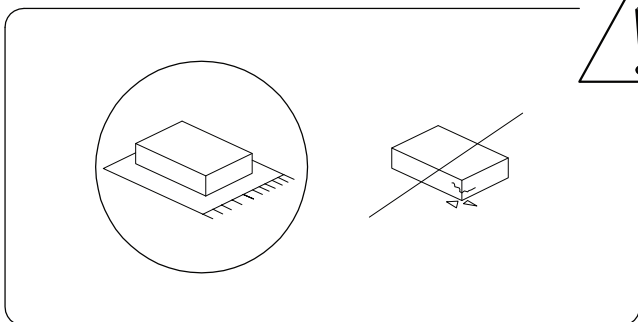
A



B



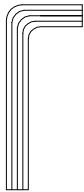
30'



1

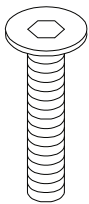
A

A



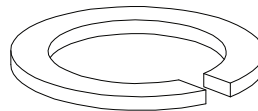
x 1

B

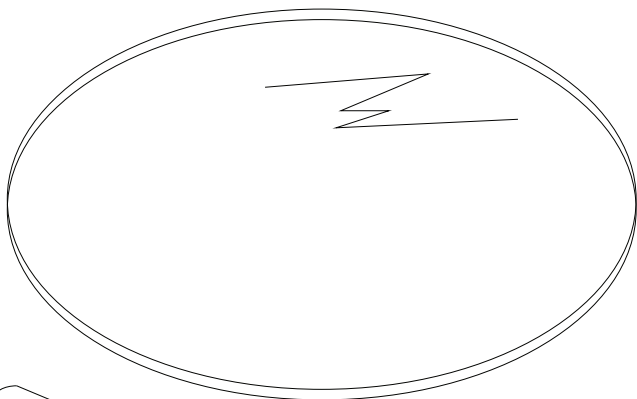


x 9

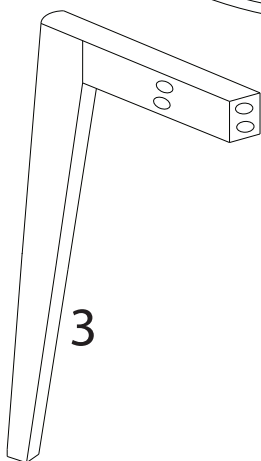
C



x 3



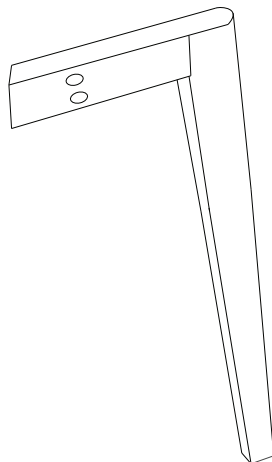
1



3



3



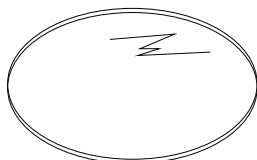
3

D



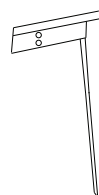
x 3

1



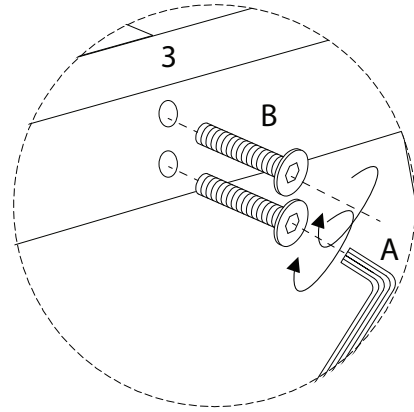
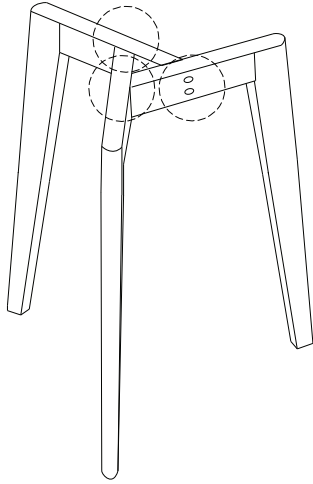
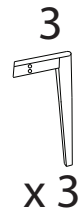
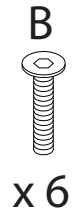
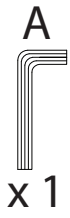
x 1

3

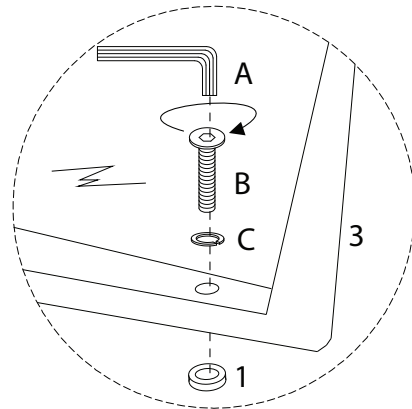
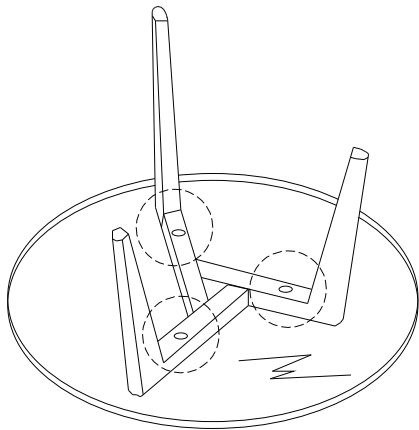
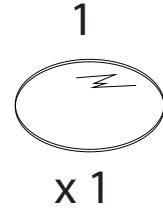
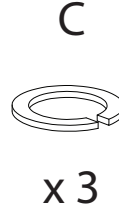
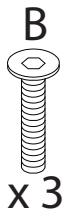
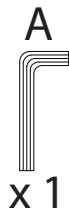


x 3

1



2

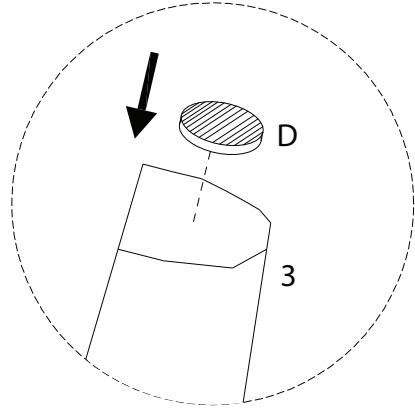
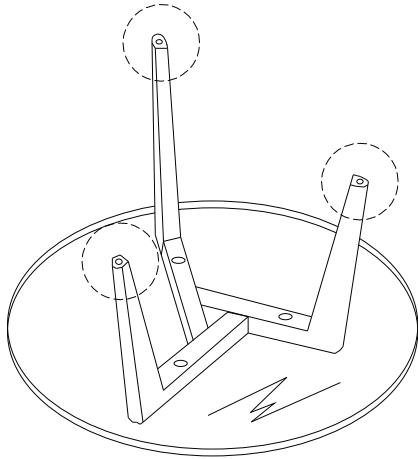


3

D

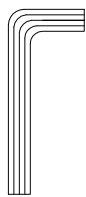


x 3



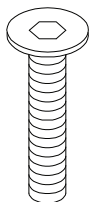
B

A



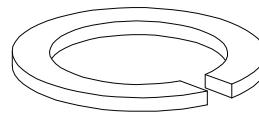
x 1

B

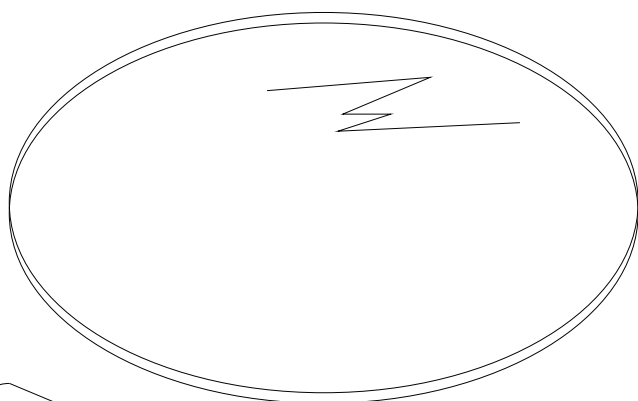


x 9

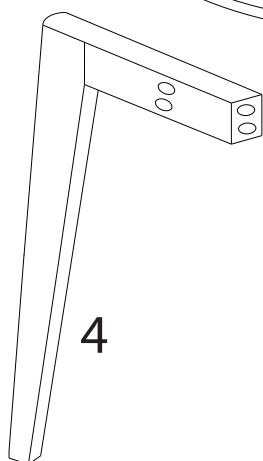
C



x 3



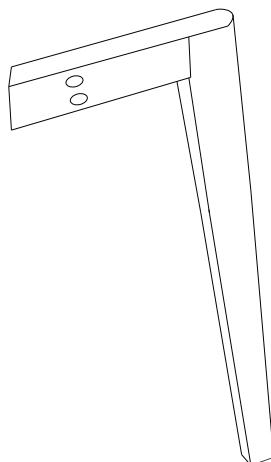
2



4



4



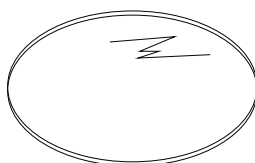
4

D



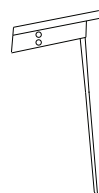
x 3

2



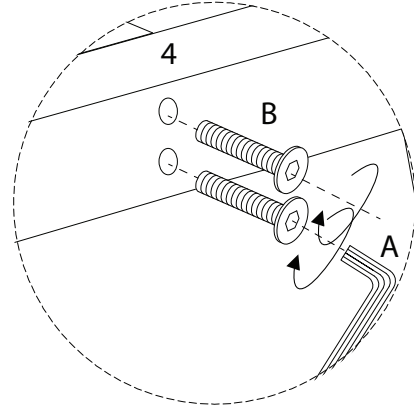
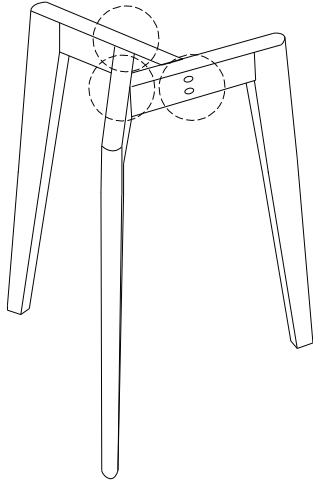
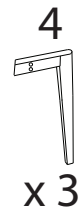
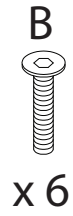
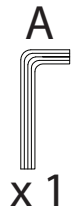
x 1

4

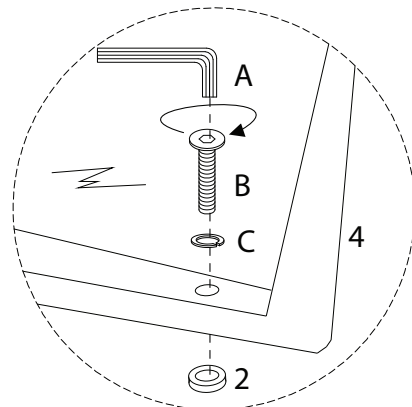
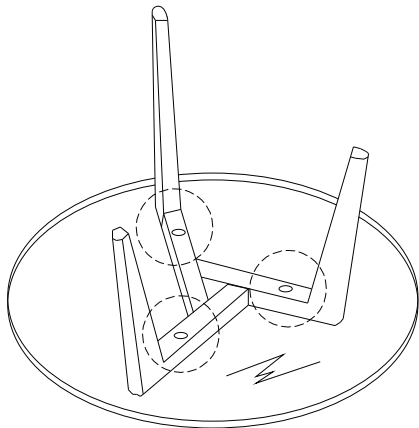
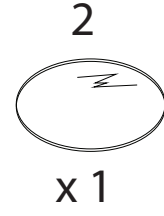
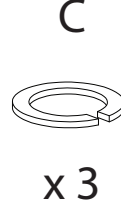
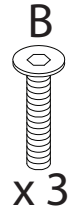
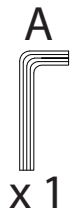


x 3

1



2



3

D



x 3

