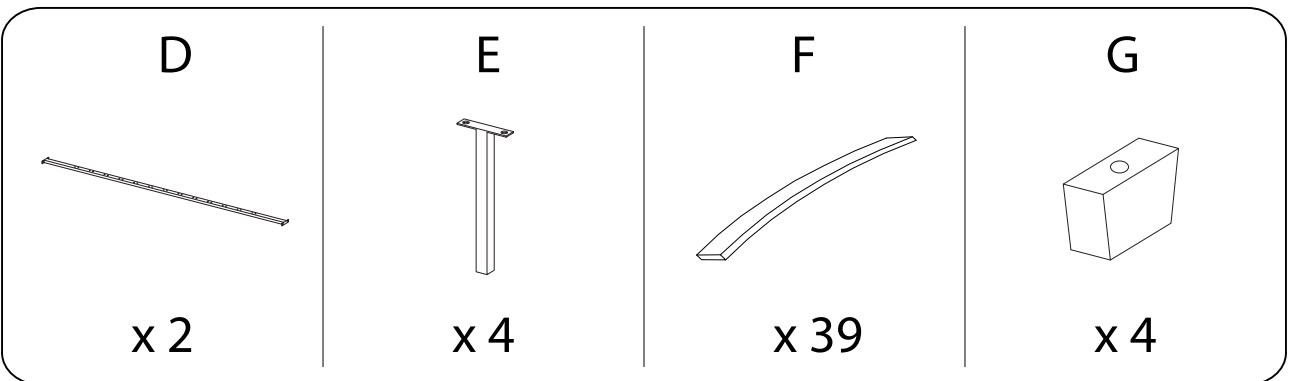
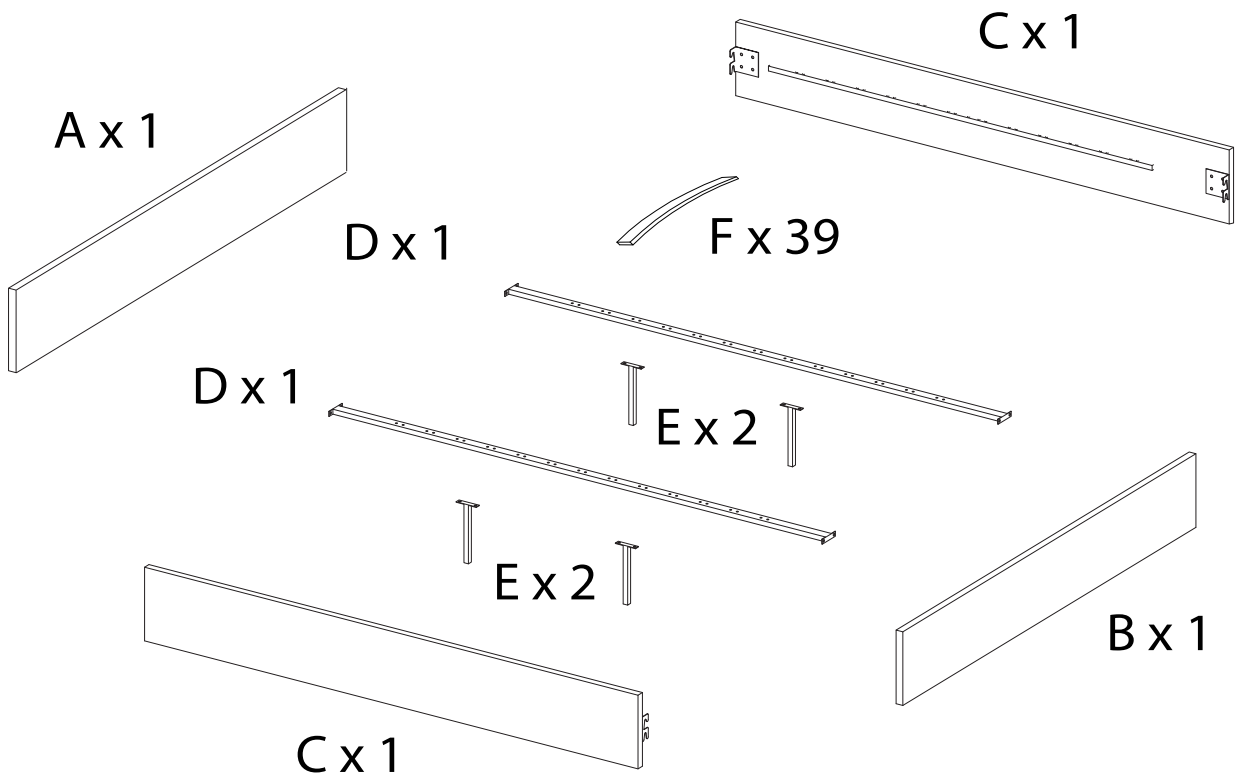
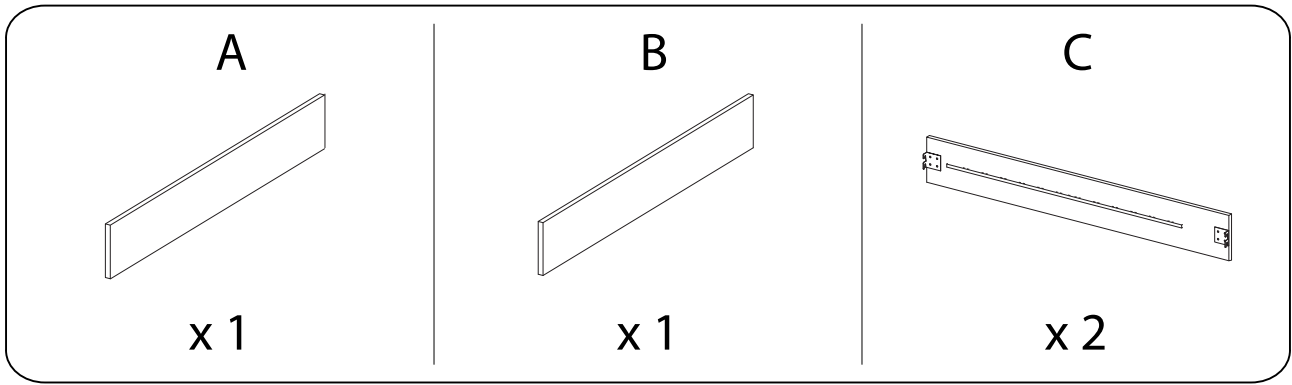
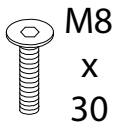


Assembly instructions for step 1/7:

- Tools:** A circle containing a wrench and an Allen key, and a crossed-out power drill icon, indicating that manual tools are required and power tools should not be used.
- Warning:** A triangle with an exclamation mark, indicating a warning or important instruction.
- Time:** A clock icon with the text "45'", indicating that this step takes approximately 45 minutes to complete.
- Personnel:** A person icon with the number "1" below it, indicating that one person is required for this step.

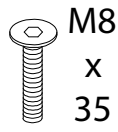


H



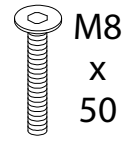
x 16

I



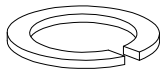
x 8

J



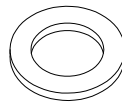
x 4

K



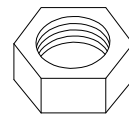
x 8

L



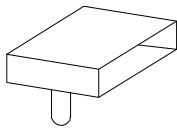
x 12

M



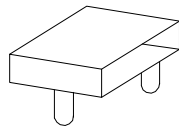
x 8

N



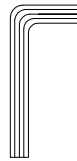
x 26

O



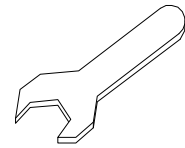
x 26

P




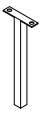
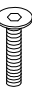
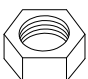

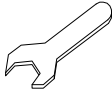
x 1

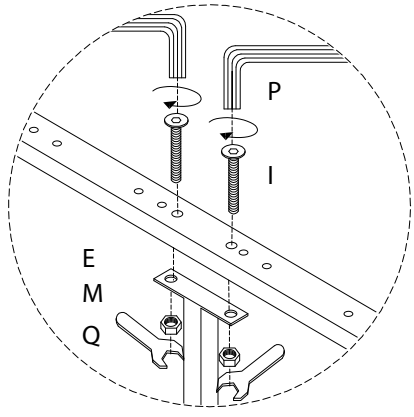
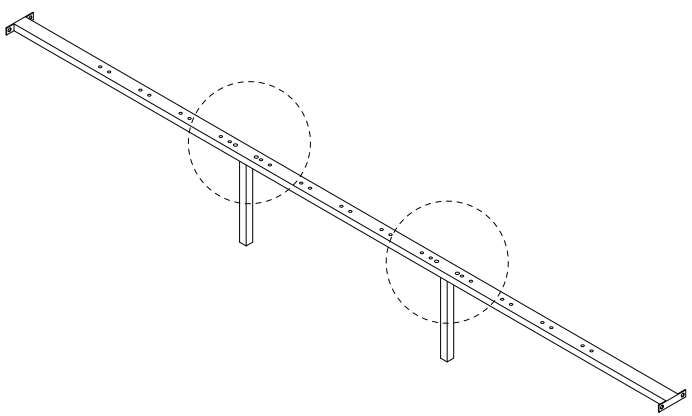
Q



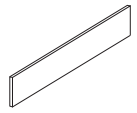
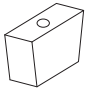
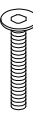


x 1

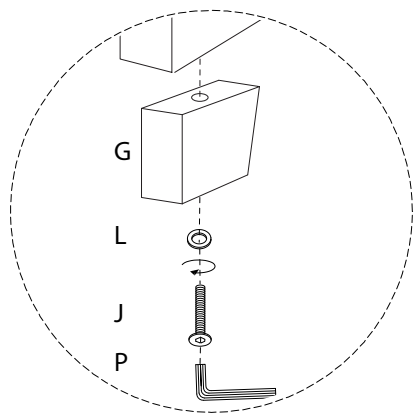
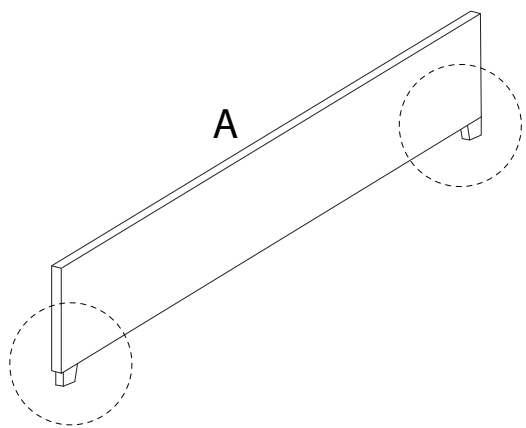
1 x 2

D  x 1	E  x 2	I  M8 x 35 x 4	M  x 4	P  x 1	Q  x 1
---	---	--	--	---	---

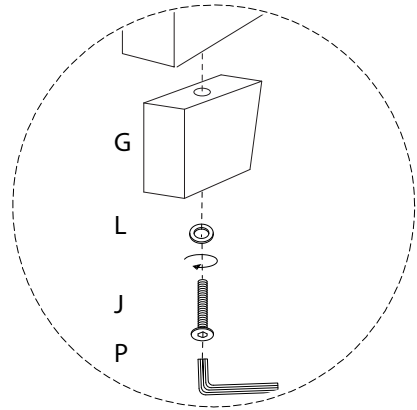
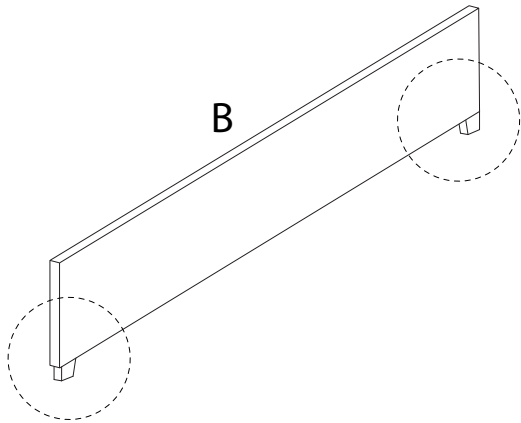
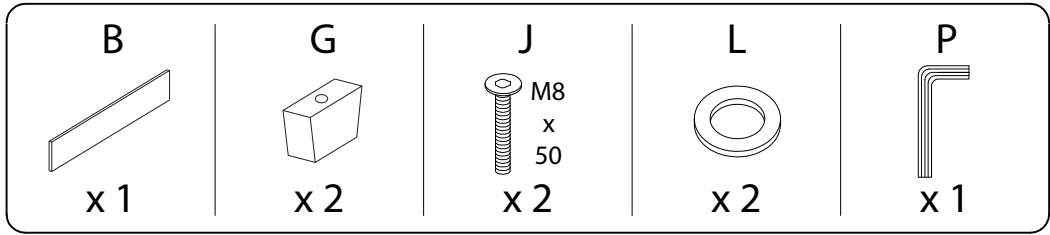


2

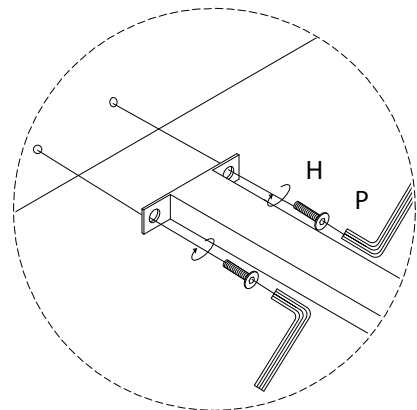
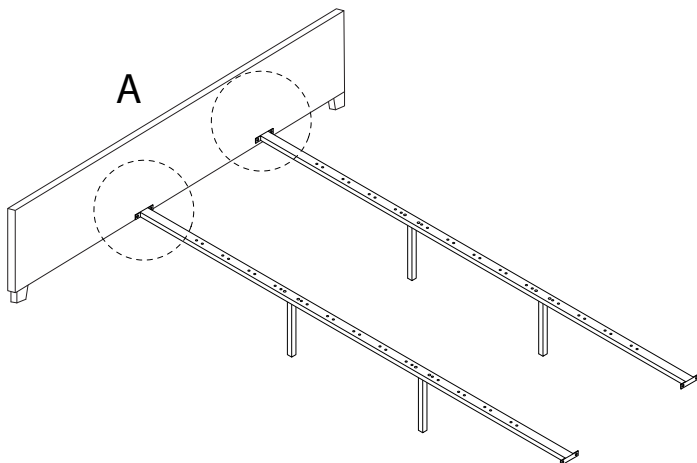
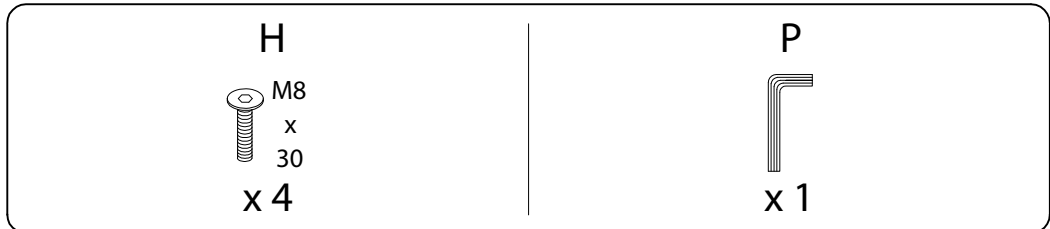
A  x 1	G  x 2	J  M8 x 50 x 2	L  x 2	P  x 1
---	---	--	---	---



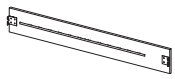
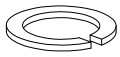
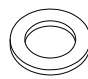
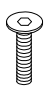
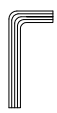
3

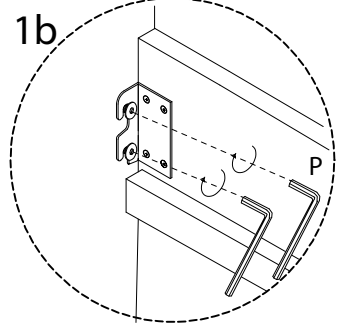
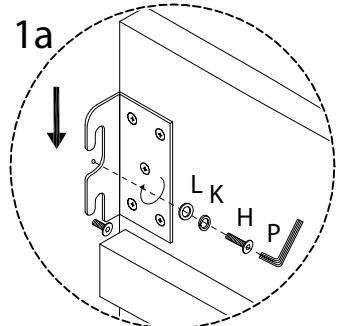
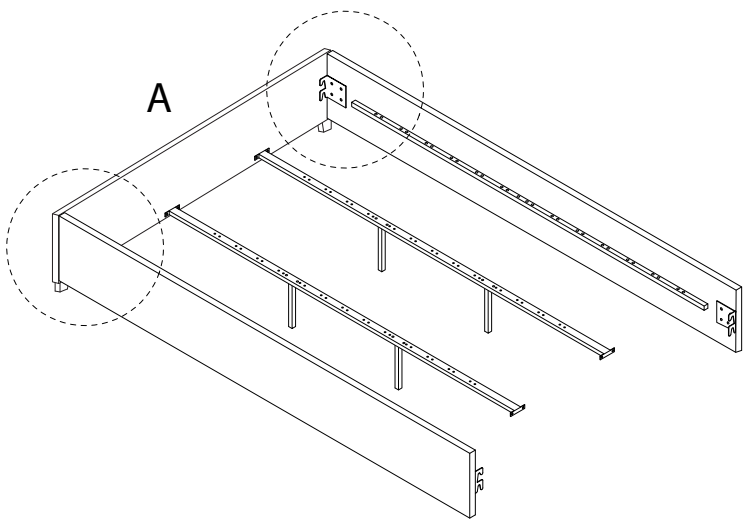


4

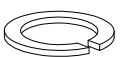
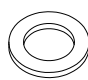

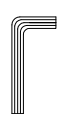


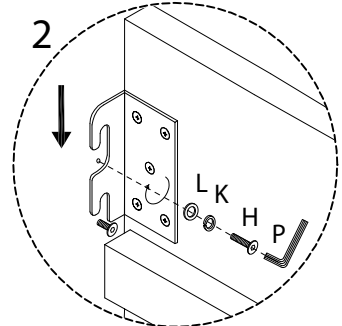
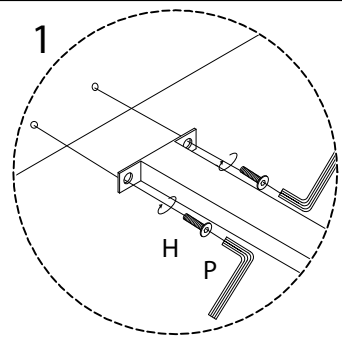
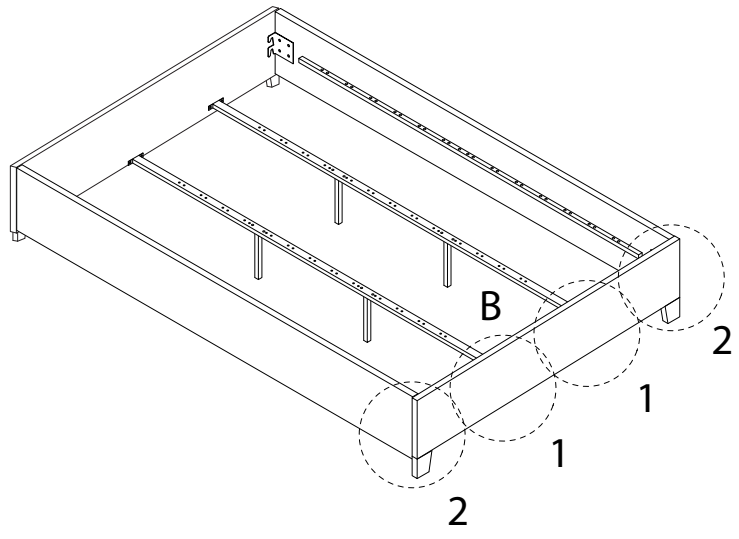
5

<b>C</b>  x2	<b>K</b>  x4	<b>L</b>  x4	<b>H</b>  M8 x 30 x4	<b>P</b>  x1
---	---	---	--	---

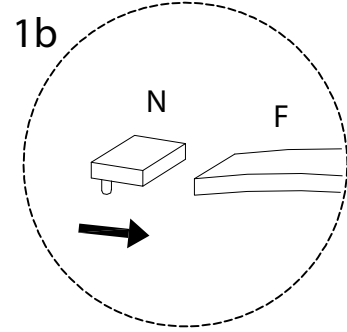
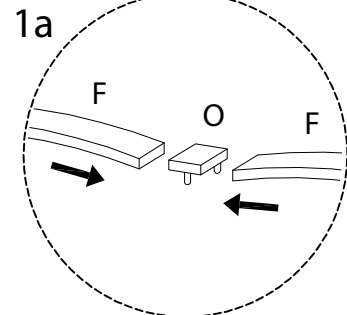
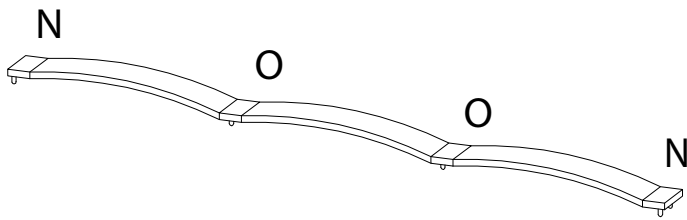
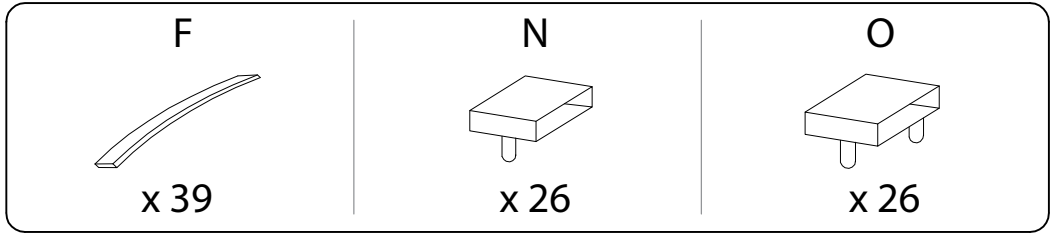


6

<b>K</b>  x4	<b>L</b>  x4	<b>H</b>  M8 x 30 x8	<b>P</b>  x1
---	---	---	---



7



8

