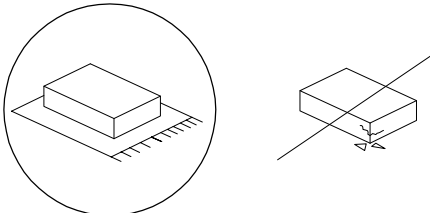


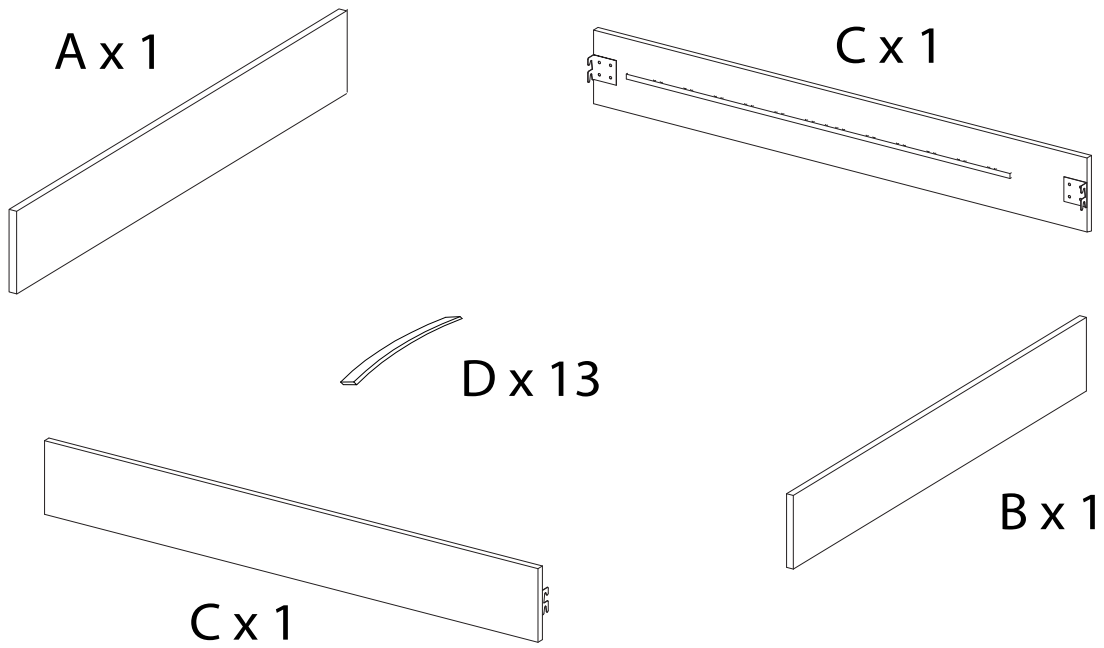
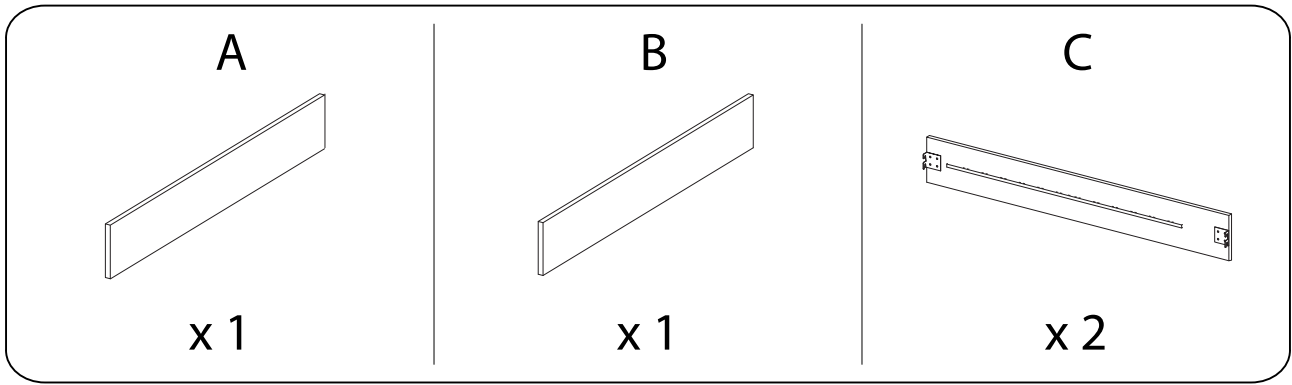
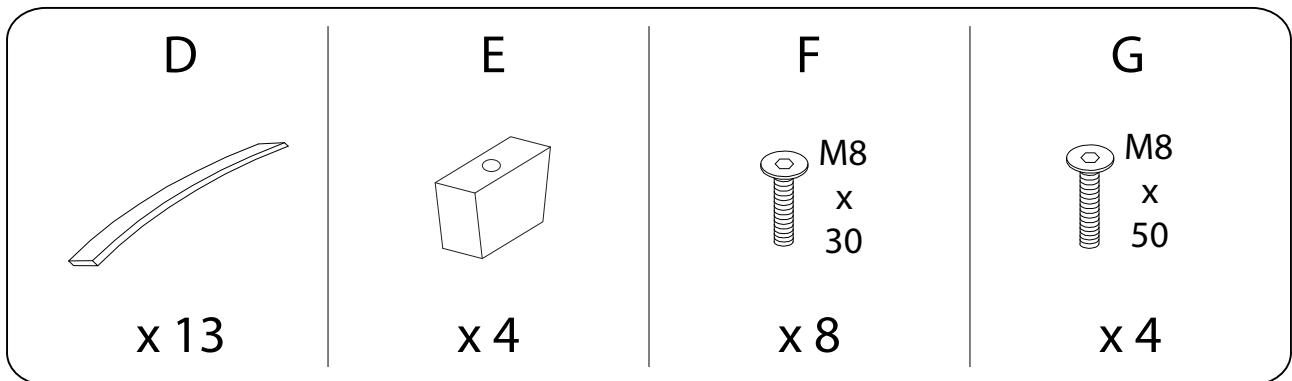
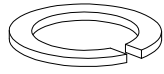

		45'
		
		1



G x 4

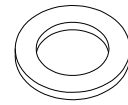


H



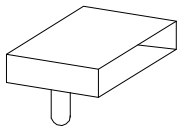
x 8

I



x 8

J



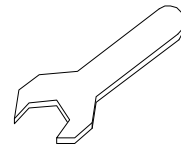
x 26

K



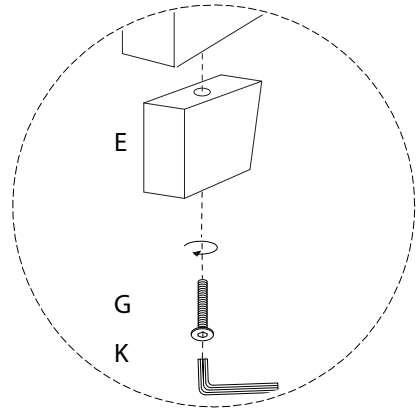
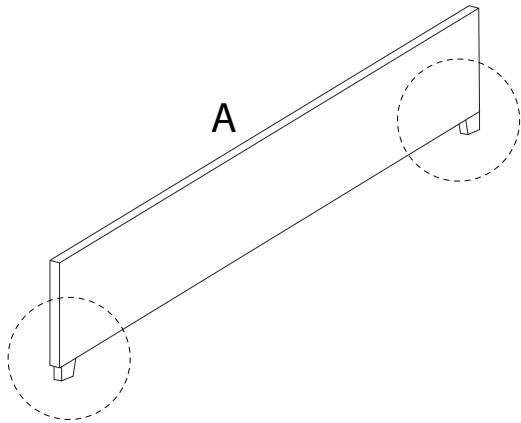
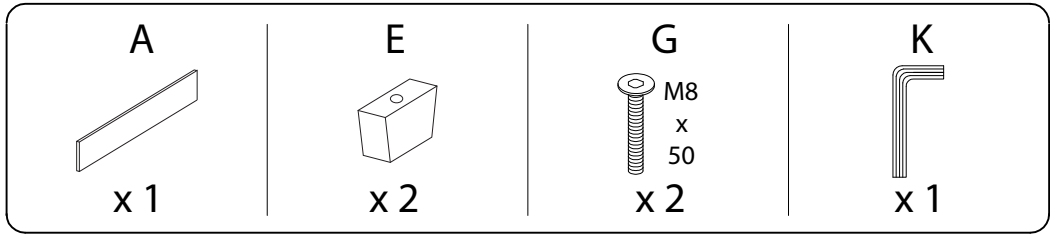
x 1

L

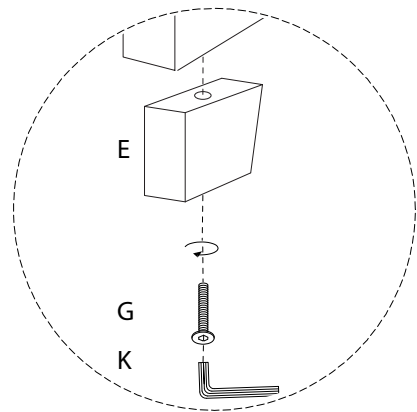
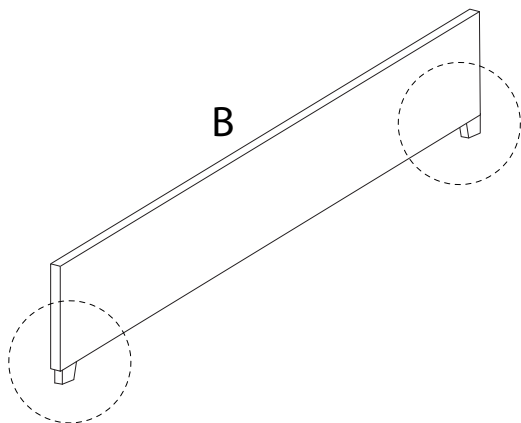
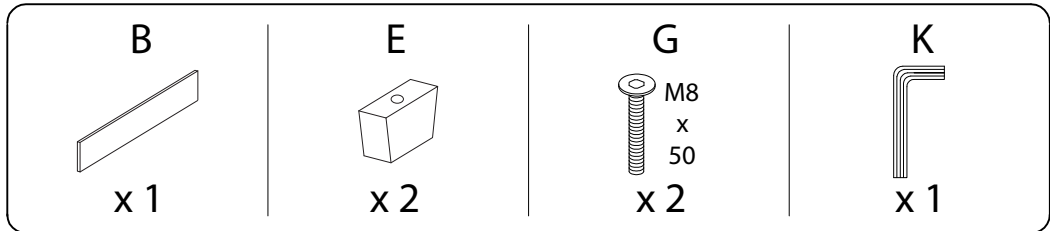


x 1

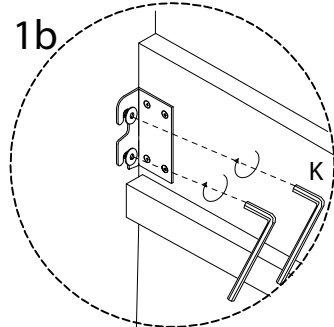
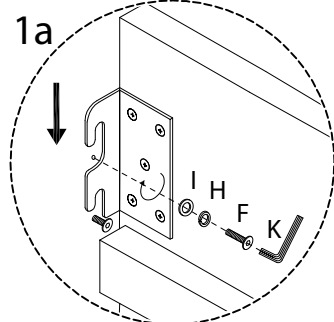
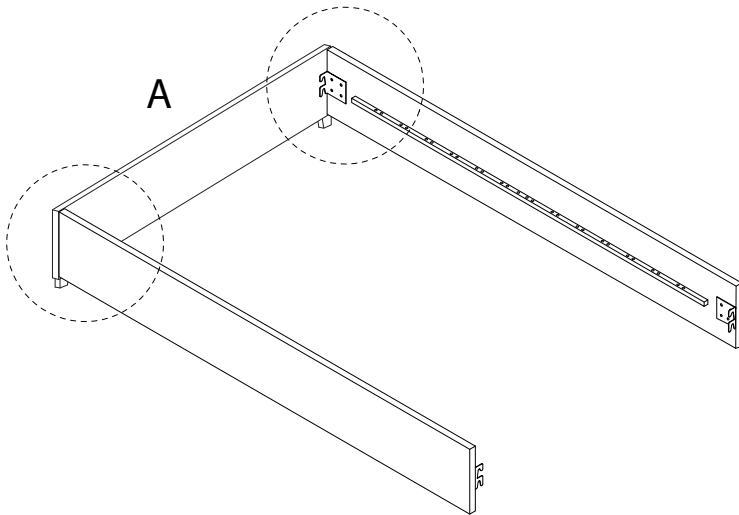
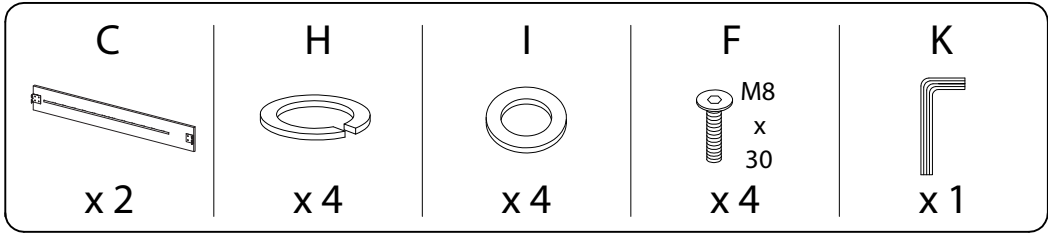
3



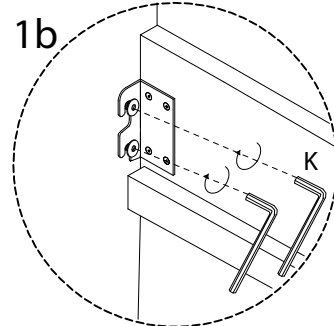
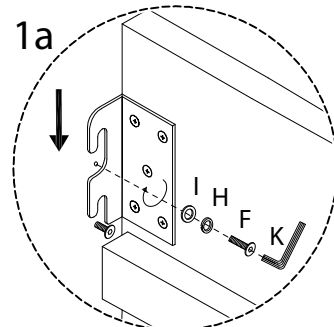
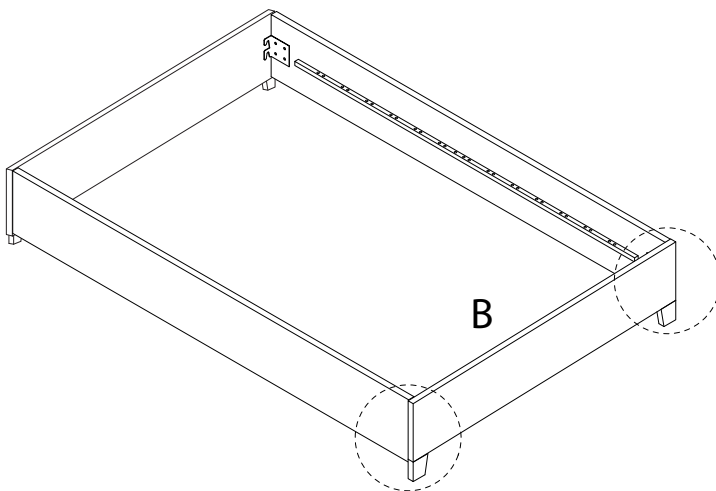
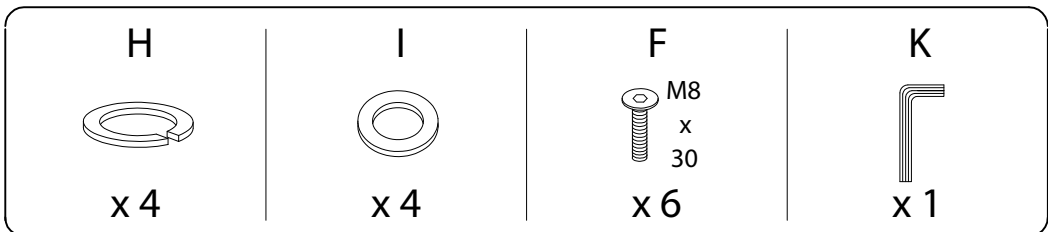
2



5

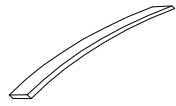


6



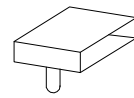
7

D

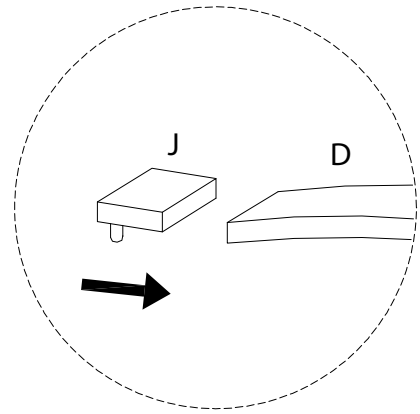
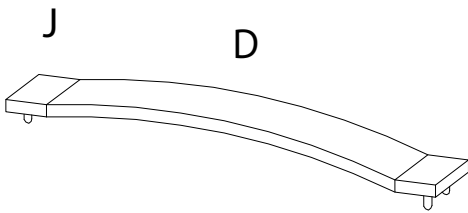


x 13

J



x 26



8

