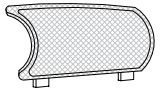
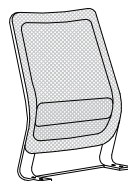


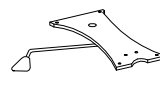
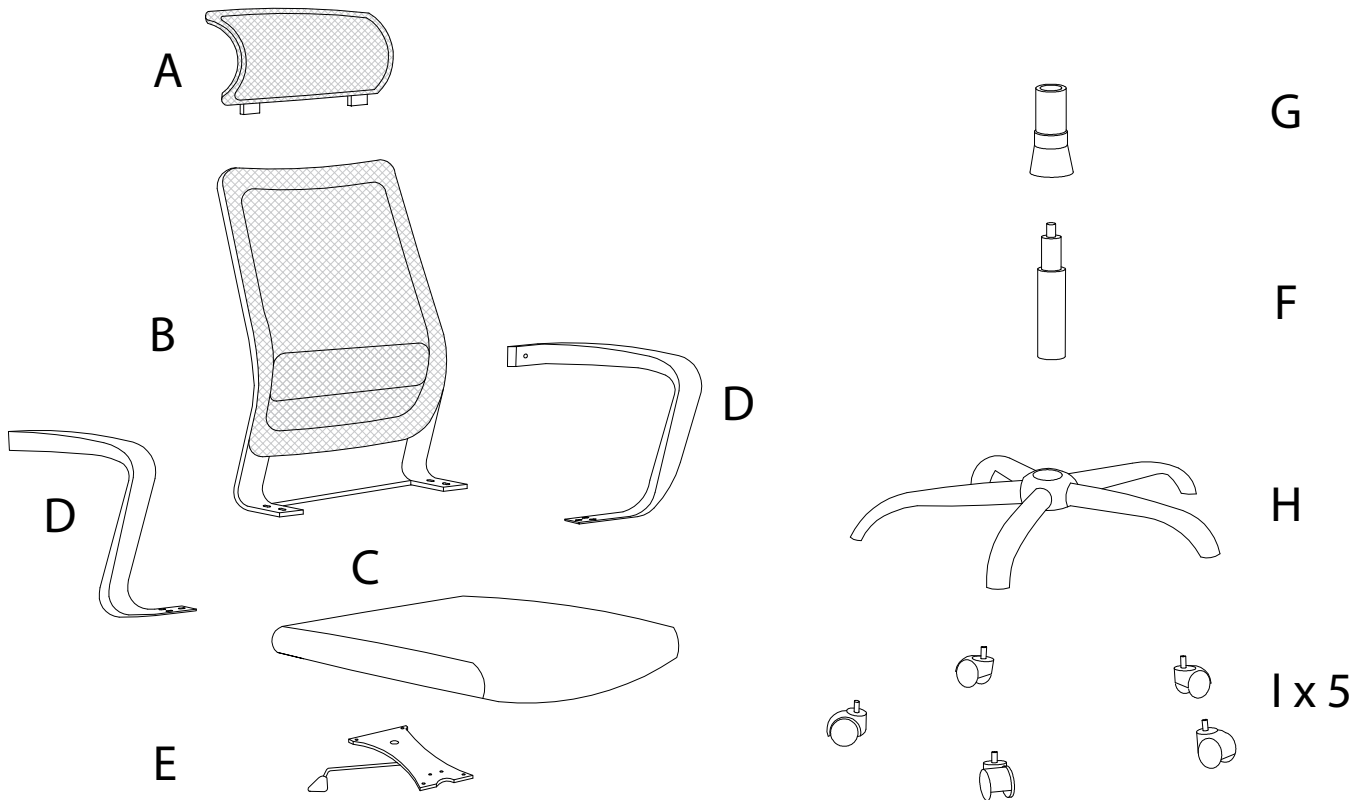



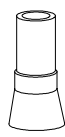

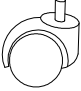
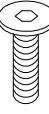
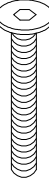
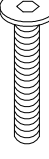
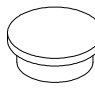
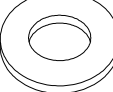
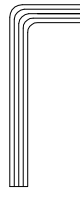


Diagram illustrating assembly instructions and safety warnings:

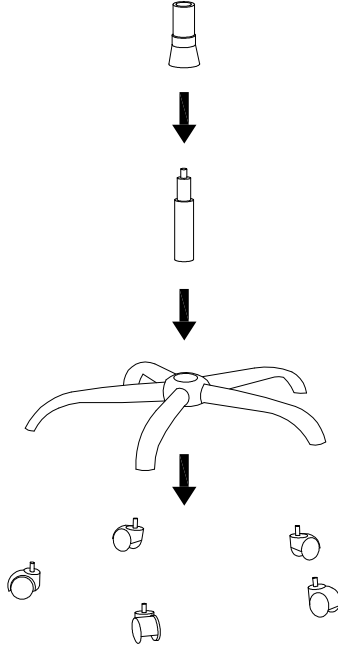
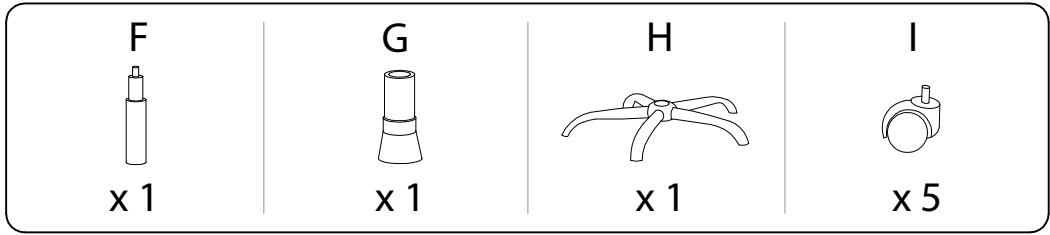
- Warning 1:** A triangle with an exclamation mark points to a box containing an L-shaped bracket and a crossed-out power drill, indicating that a power drill should not be used for this step.
- Warning 2:** A triangle with an exclamation mark points to a box containing a rectangular block being placed on a mat and a crossed-out block being placed on a hard surface, indicating that the mat should be used for protection.
- Time:** A clock icon is labeled "30'", indicating the estimated assembly time.
- Person:** An icon of a person is labeled "1", indicating that one person is required for assembly.

| | | | | |
|---|---|---|--|---|
| <p>A</p>  <p>x 1</p> | <p>B</p>  <p>x 1</p> | <p>C</p>  <p>x 1</p> | <p>D</p>  <p>x 2</p> | <p>E</p>  <p>x 1</p> |
|---|---|---|--|---|

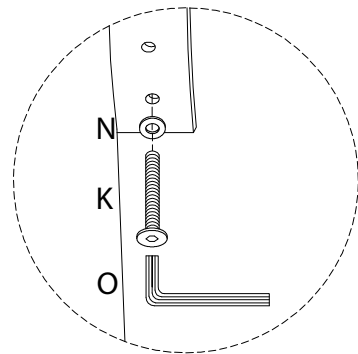
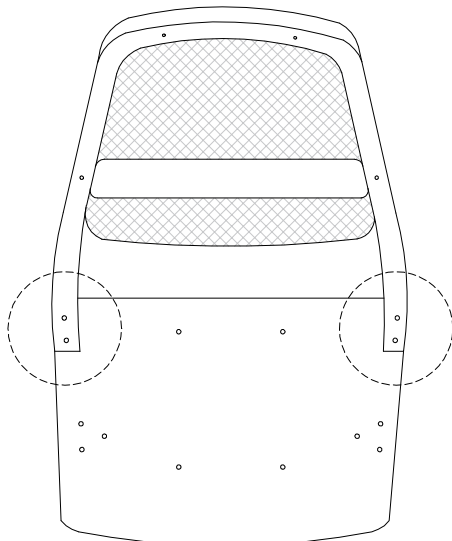
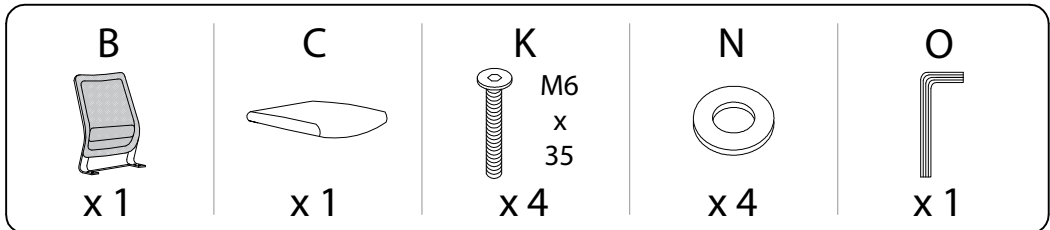


| | | | | |
|--|---|---|---|---|
| <p>F</p>  <p>x 1</p> | <p>G</p>  <p>x 1</p> | <p>H</p>  <p>x 1</p> | <p>I</p>  <p>x 5</p> | <p>J</p>  <p>M6 x 18</p> <p>x 6</p> |
| <p>K</p>  <p>M6 x 35</p> <p>x 10</p> | <p>L</p>  <p>M6 x 25</p> <p>x 2</p> | <p>M</p>  <p>x 2</p> | <p>N</p>  <p>x 14</p> | <p>O</p>  <p>x 1</p> |

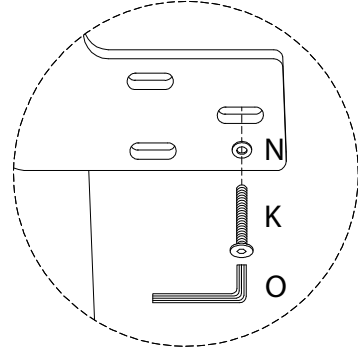
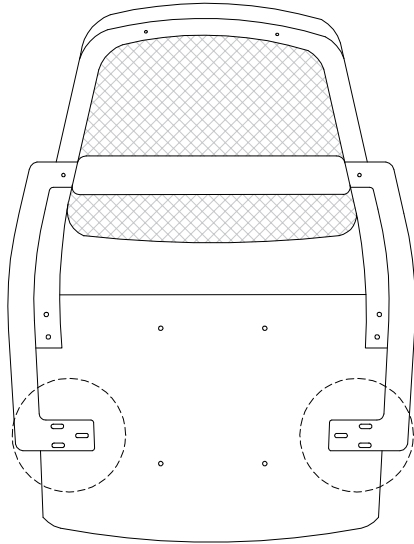
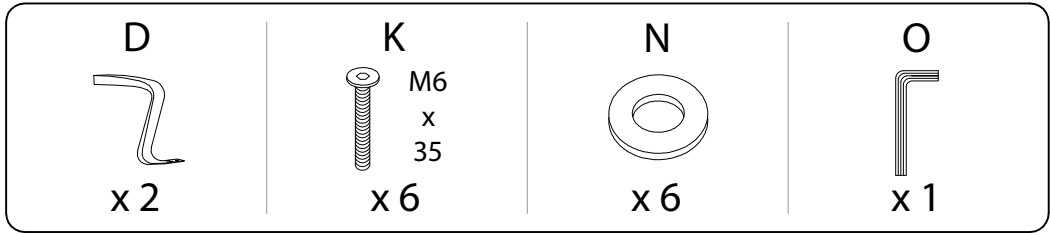
1



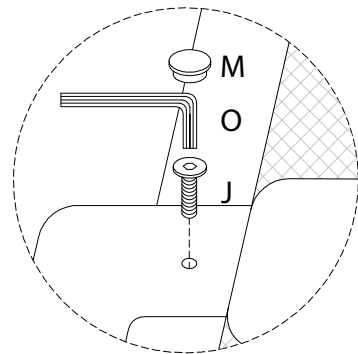
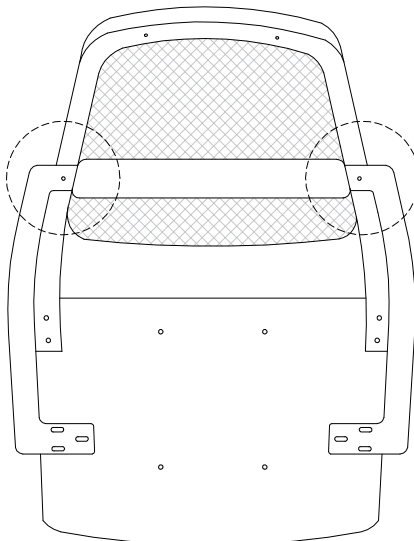
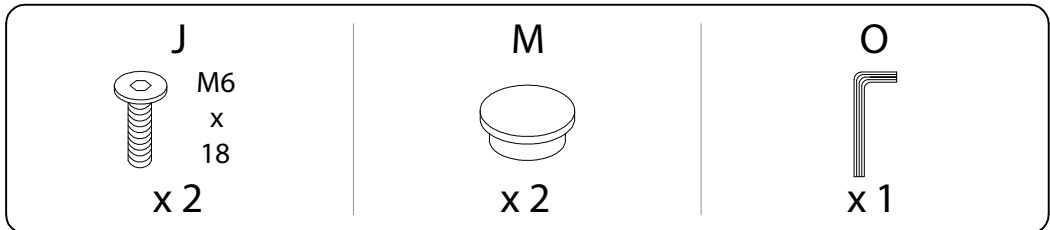
2



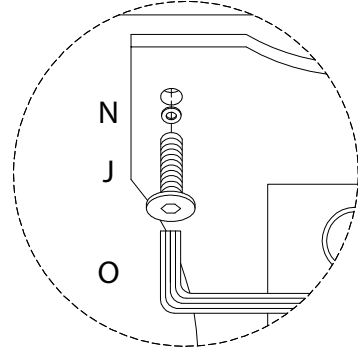
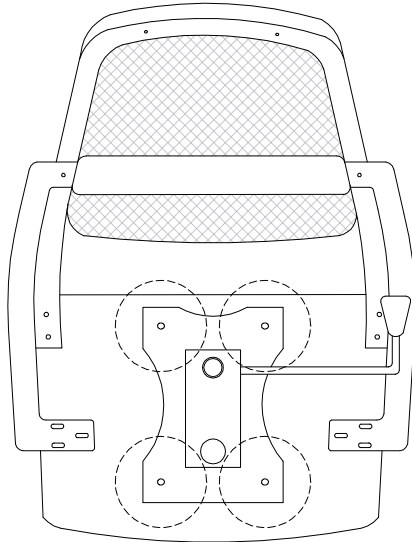
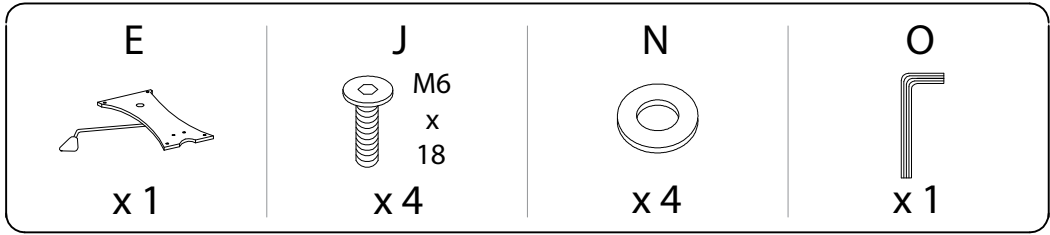
3



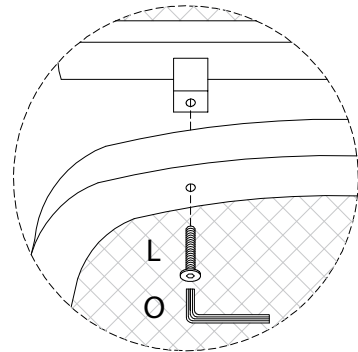
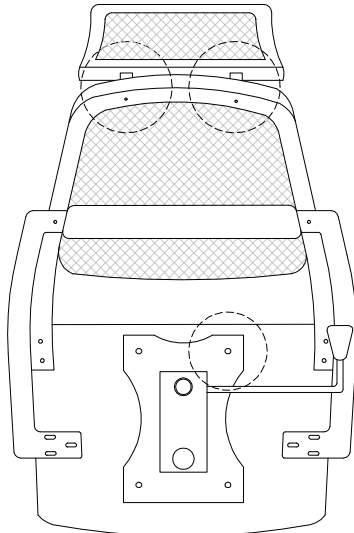
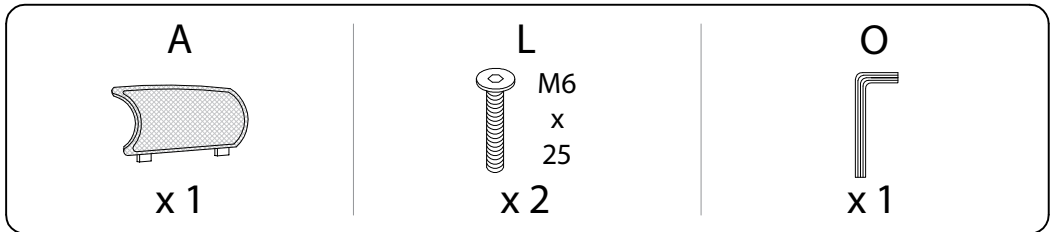
4



5



6



7

