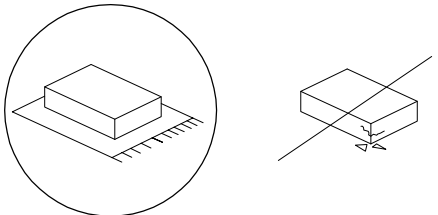
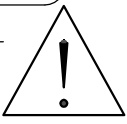

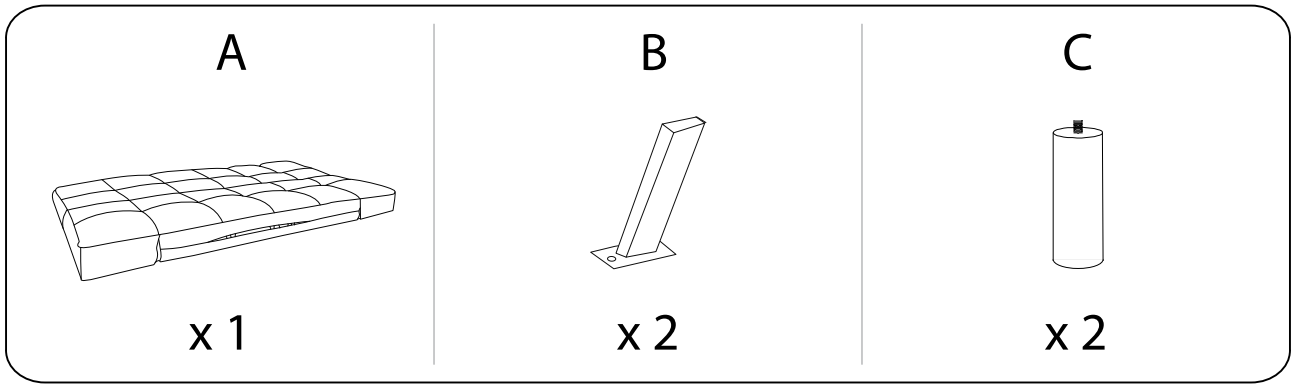
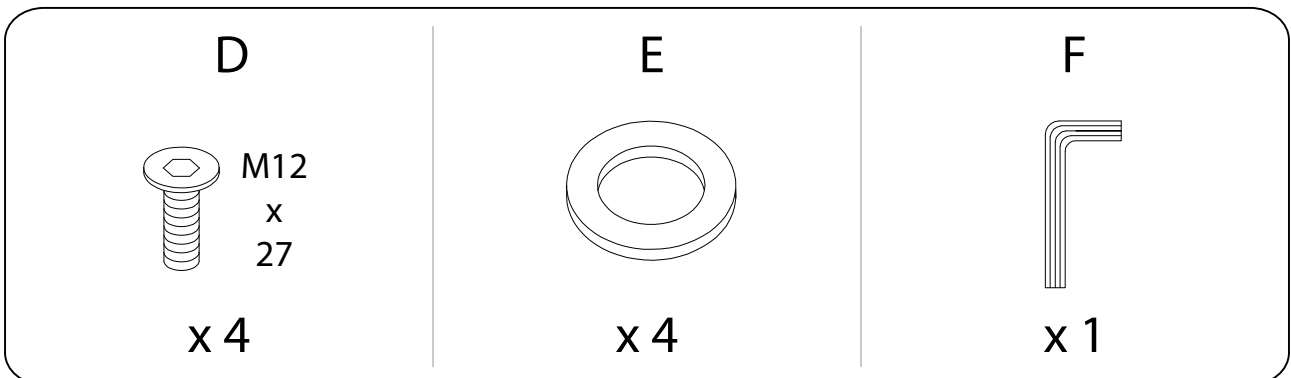
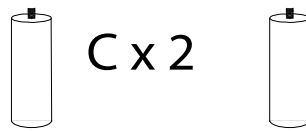
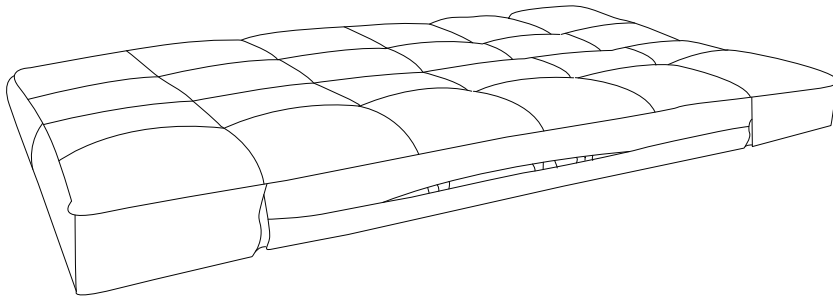
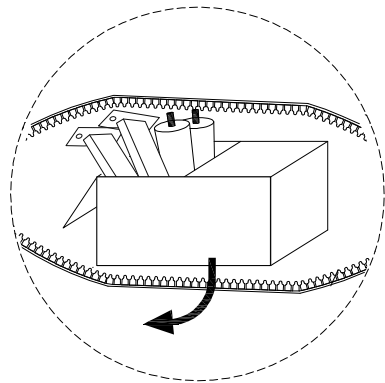
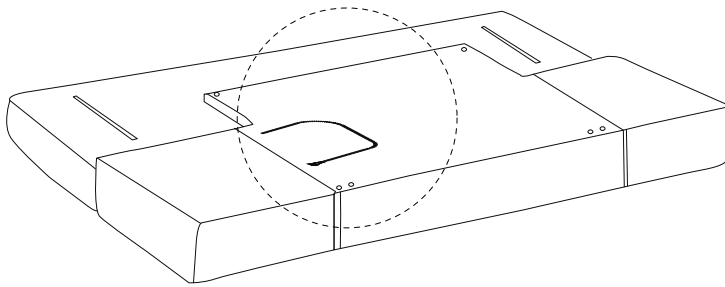
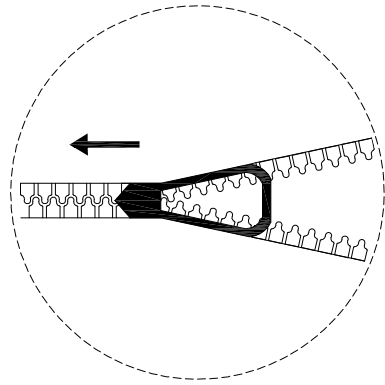

		15'
		
		1



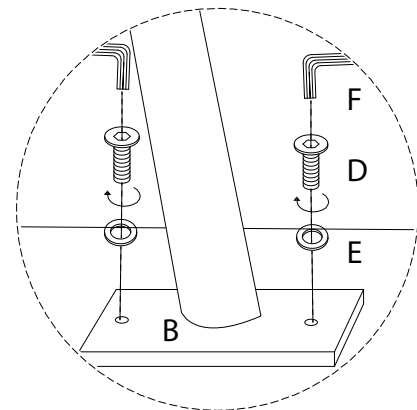
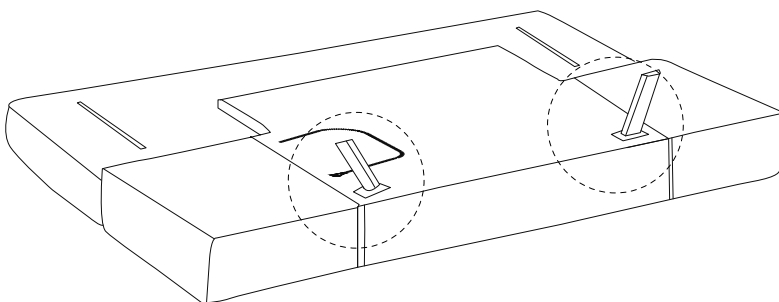
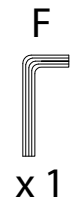
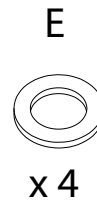
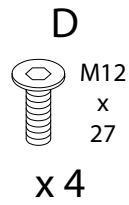
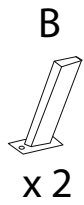
**A x 5**



!



1



2

C



x 2

