
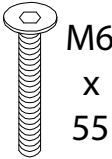
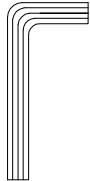
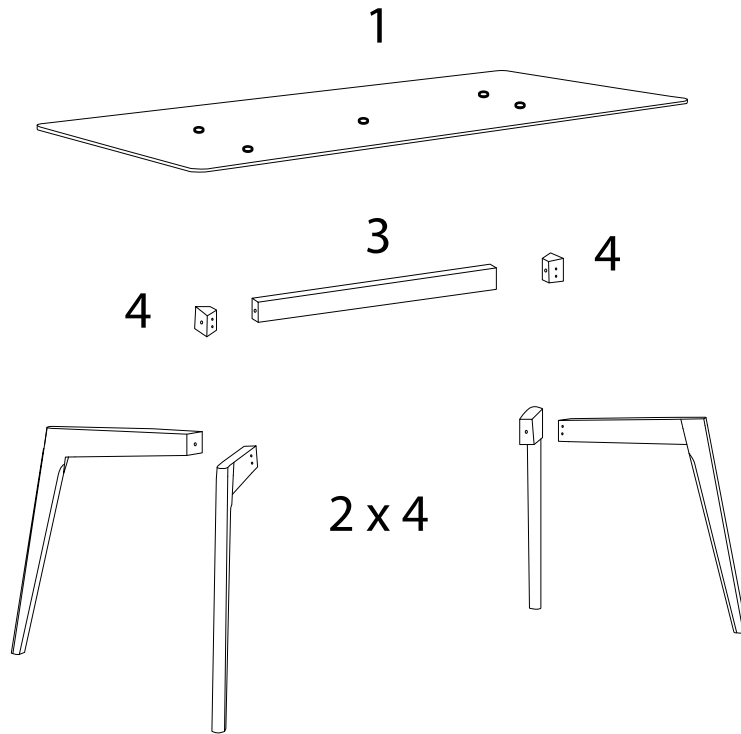
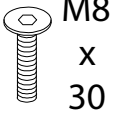
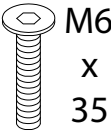
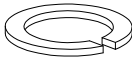


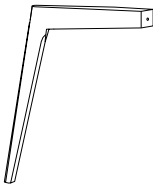
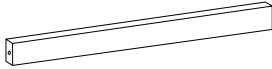
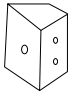


Diagram illustrating assembly instructions and safety warnings:


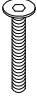
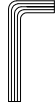

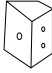
- Warning 1:** A warning triangle with an exclamation mark is positioned above a box containing an L-shaped bracket and a crossed-out power drill icon, indicating that a power drill should not be used for this step.
- Warning 2:** A second warning triangle with an exclamation mark is positioned above a box containing a rectangular block and a crossed-out icon of a block being cut, indicating that the block should not be cut.
- Time:** A clock icon is shown next to the text "40'", indicating a 40-minute assembly time.
- Personnel:** An icon of a person is shown next to the number "2", indicating that two people are required for assembly.

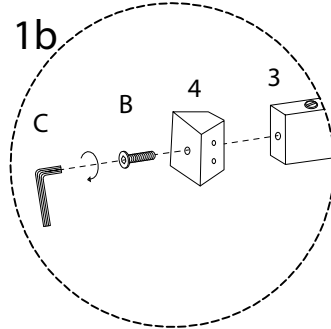
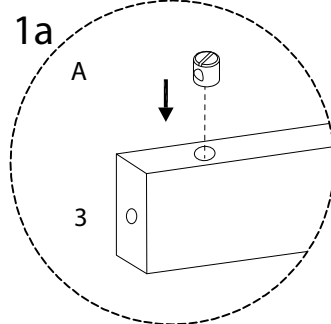
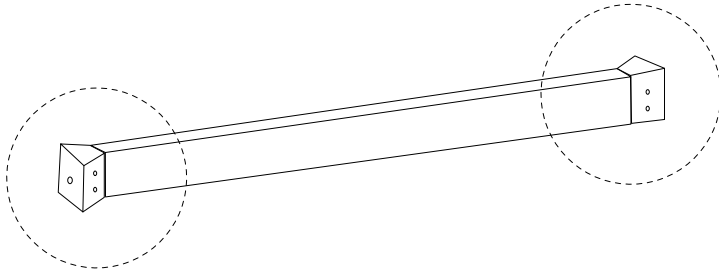
A	B	C
		
x 2	x 2	x 1



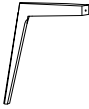
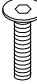

D	E	F	G
			
x 8	x 5	x 5	x 4
1	2	3	4
			
x 1	x 4	x 1	x 2

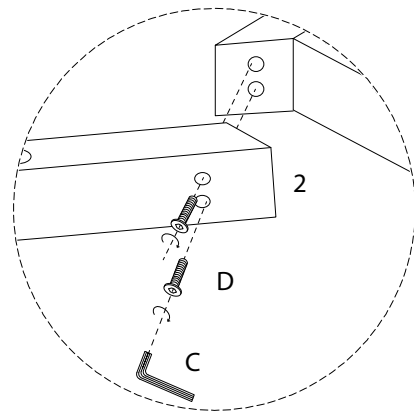
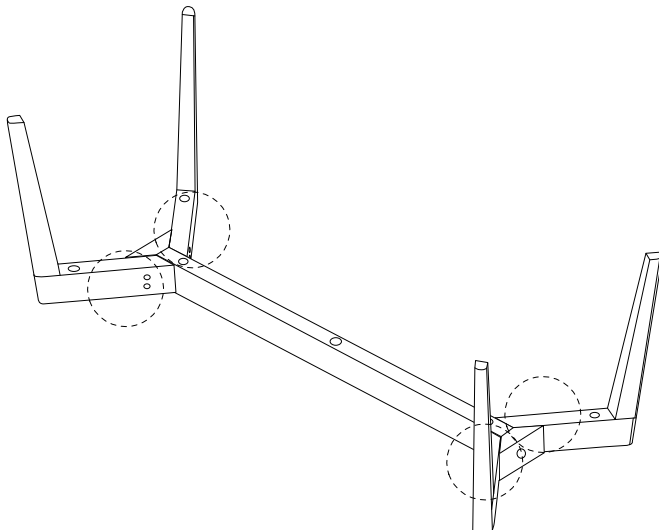
1

A  x 2	B  M6 x 55 x 2	C  x 1	3  x 1	4  x 2
------------------------------------------------------------------------------------------------------	-----------------------------------------------------------------------------------------------------------------------	------------------------------------------------------------------------------------------------------	--------------------------------------------------------------------------------------------------------	--------------------------------------------------------------------------------------------------------


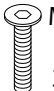

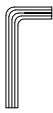


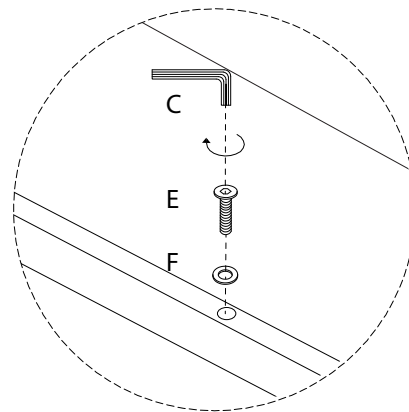
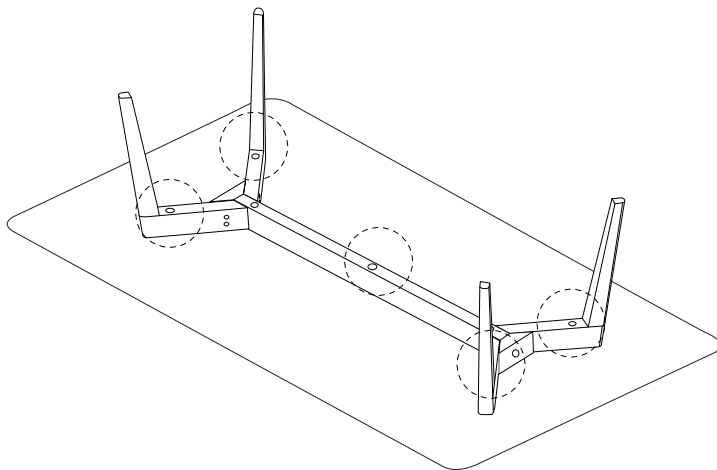
2

2  x 4	D  M8 x 30 x 8	C  x 1
--------------------------------------------------------------------------------------------------------	-------------------------------------------------------------------------------------------------------------------------	----------------------------------------------------------------------------------------------------------




3

1  x 1	E  M6 x 35 x 5	F  x 5	C  x 1
------------------------------------------------------------------------------------------------------	-----------------------------------------------------------------------------------------------------------------------	-------------------------------------------------------------------------------------------------------	--------------------------------------------------------------------------------------------------------



4

G  x 4

