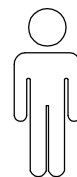
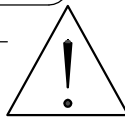
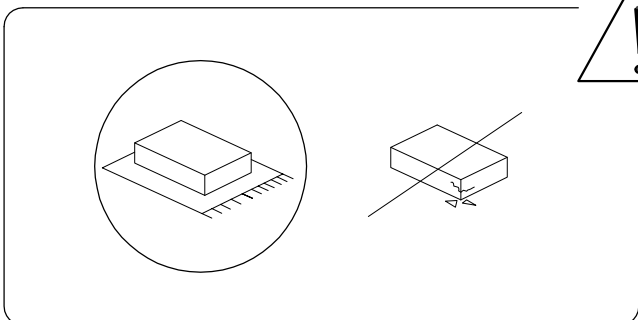



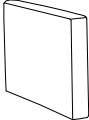





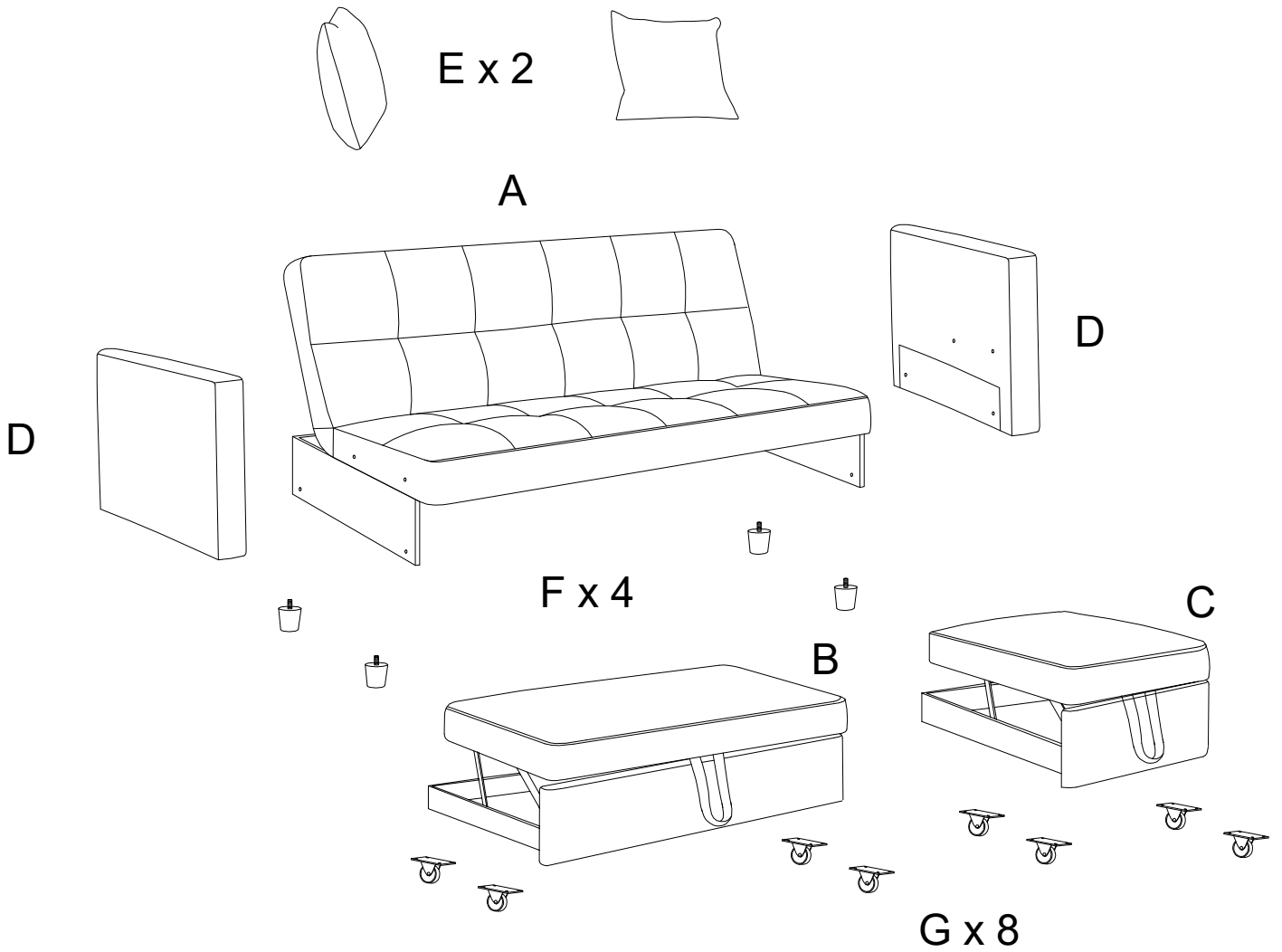
40'

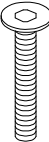
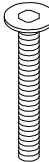
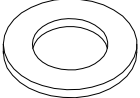
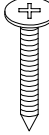
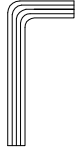
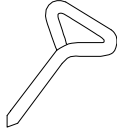


2

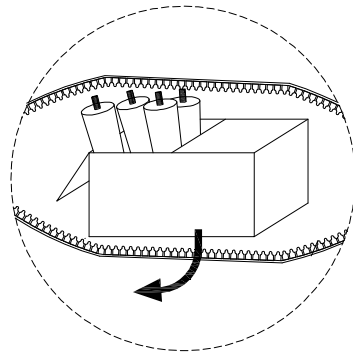
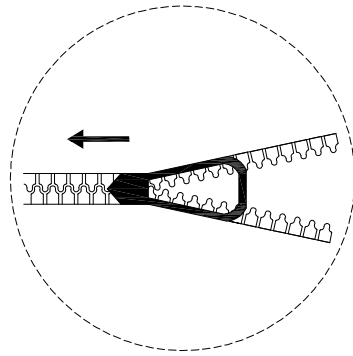
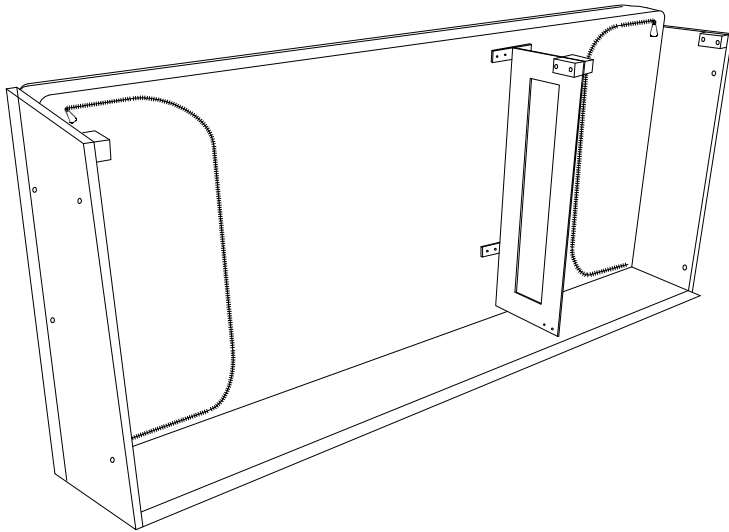
1/6

A	B	C	D	E	F	G
						
x 1	x 1	x 1	x 2	x 2	x 4	x 8



1	2	3	4	5	6
 M8 x 60	 M8 x 100		 M4 x 16		
x 4	x 4	x 8	x 32	x 1	x 1

!



1

D

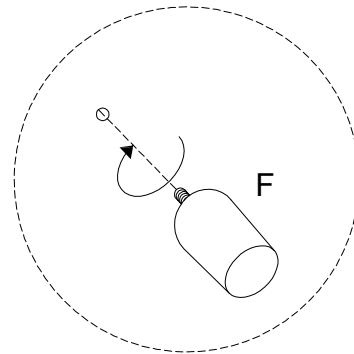
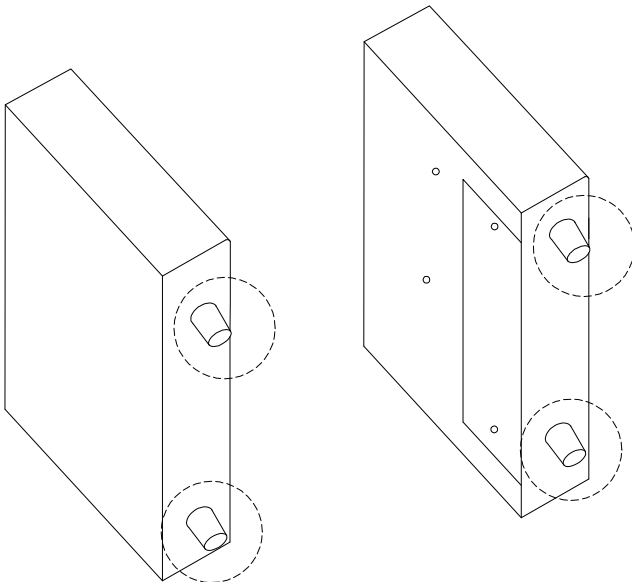


x 2


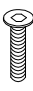
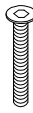
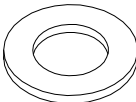

F

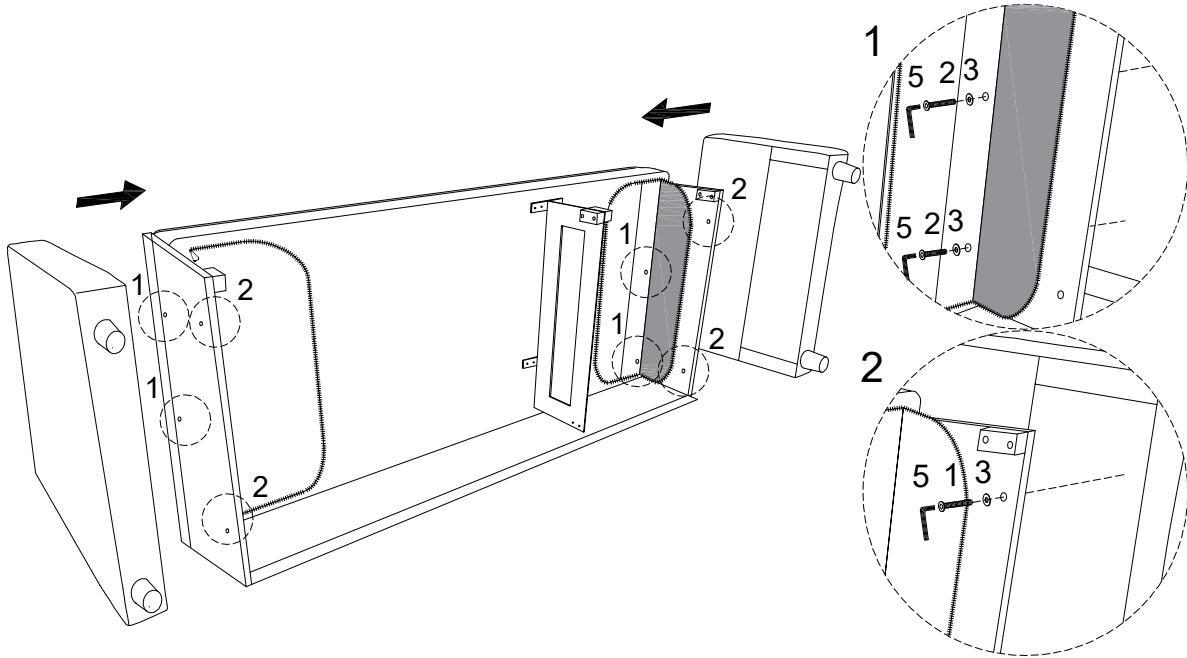


x 4








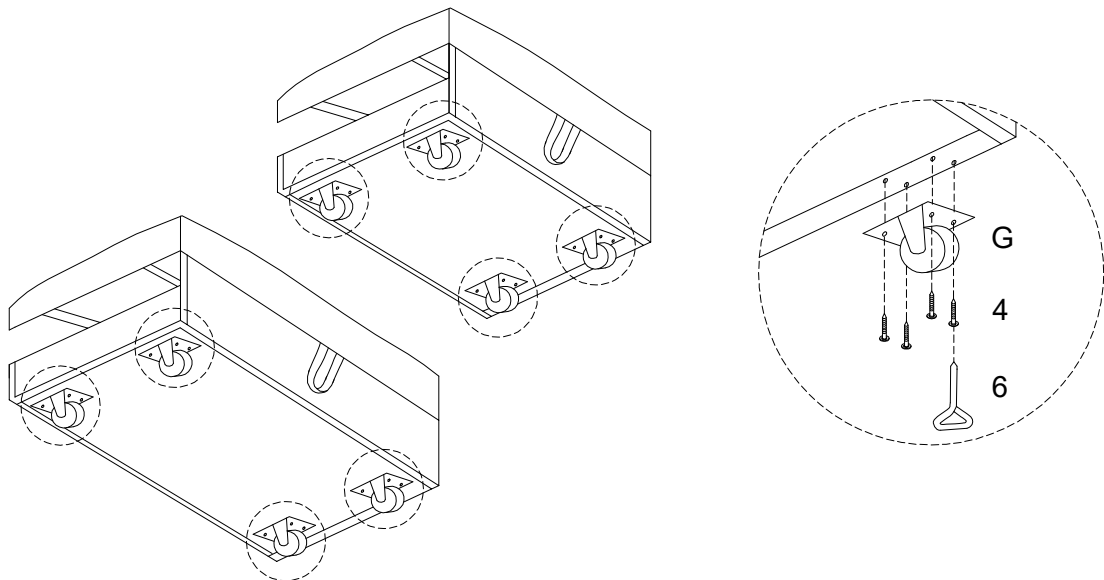
2

A  x 1	1  M8 x 60 x 4	2  M8 x 100 x 4	3  x 8	5  x 1
--	--	---	--	--

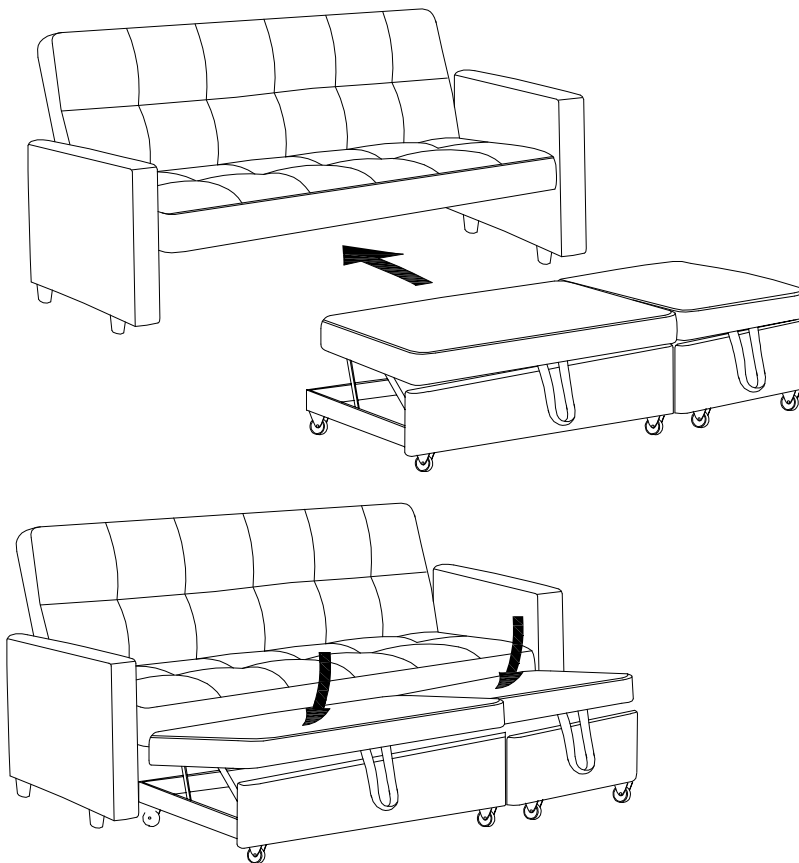


3

B  x 1	C  x 1	G  x 8	4  M4 x 16 x 32	6  x 1
--	--	--	---	--



4



5

