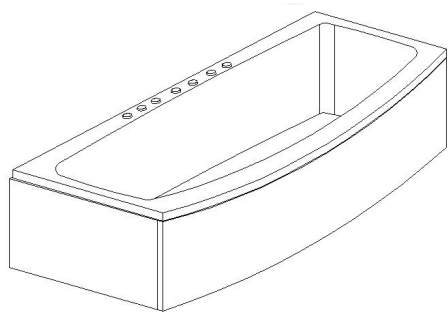


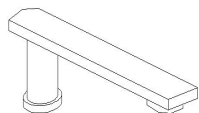
RL-6141

Instruction for installation

1 : Package



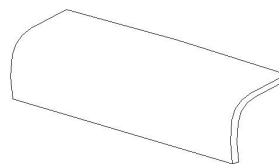
[1]x 1



[2]x 1



[3]x 1

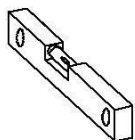


[4]x 2



[5]x 1

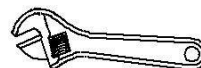
2 : Install tools



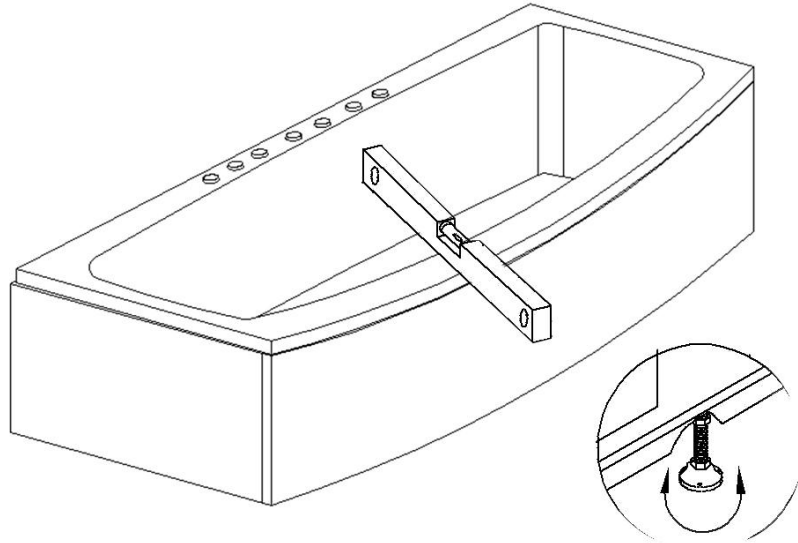
(A)



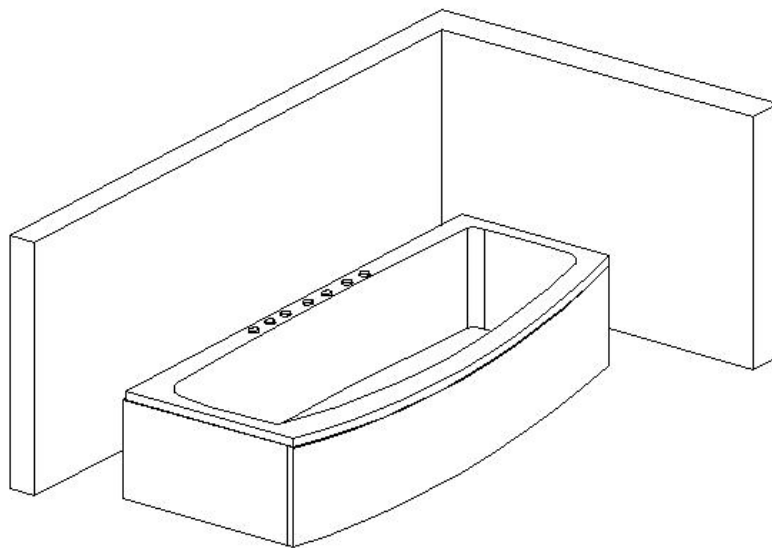
(B)



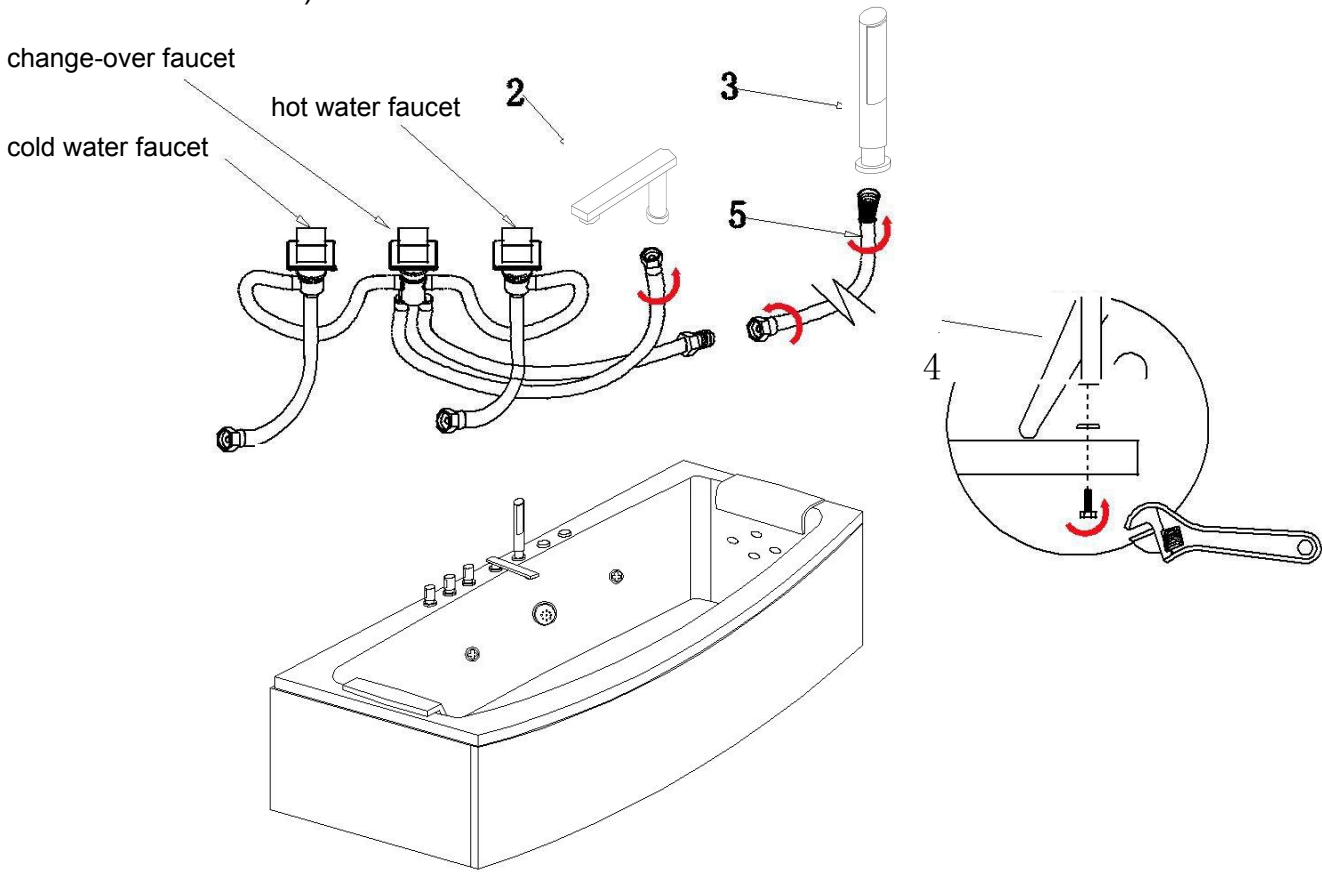
(C)



Step 2 : Move the bathtub out



Step 3 : as the pics : connect the waterfall and shower (install the waterfall in the bathtub first)



Step 4 : as the pics ,First, Take the down-flow pipe inserted into the sewer ,then connect the inlet pipe (take care the hot and cold water) and Plug the power cord into

